

ENGLISH DEUTSCH FRANÇAIS

Mounting Instructions Montageanleitung Notice de montage



PW15AH

Hottinger Brüel & Kjaer GmbH
Im Tiefen See 45
D-64293 Darmstadt
Tel. +49 6151 803-0
Fax +49 6151 803-9100
info@hbkworl.com
www.hbkworl.com

Mat.: 7-0101.0095
DVS: A02435 03 Y00 02
01.2024

© Hottinger Brüel & Kjaer GmbH

Subject to modifications.
All product descriptions are for general information only. They are not to be understood as a guarantee of quality or durability.

Änderungen vorbehalten.
Alle Angaben beschreiben unsere Produkte in allgemeiner Form. Sie stellen keine Beschaffenheits- oder Haltbarkeitsgarantie dar.

Sous réserve de modifications.
Les caractéristiques indiquées ne décrivent nos produits que sous une forme générale. Elles n'impliquent aucune garantie de qualité ou de durabilité.

ENGLISH DEUTSCH FRANÇAIS

Mounting Instructions



PW15AH

TABLE OF CONTENTS

1	Safety instructions	3
2	Markings used	6
2.1	Markings used in this document	6
2.2	Symbols on the device	6
3	Application	7
4	Mounting and load application	8
4.1	Mounting instructions	8
4.2	Load application	8
5	Electrical connection	10
5.1	Connection in four-wire and six-wire configurations	10
5.2	Cable protection (provided by customer)	11
5.3	Shortening and extending the cable	11
5.4	Parallel connection (option)	11
5.5	EMC protection	11
6	Corrosion protection and maintenance	13
7	Specifications	13
8	Dimensions	14

1 SAFETY INSTRUCTIONS

Intended use

Load cells of the PW15AH... type series are designed for technical weighing applications within the load limits detailed in the specifications. Any other use is not the intended use.

The load cells may only be installed by qualified personnel in compliance with the specifications and with the safety requirements and regulations of these mounting instructions. It is also essential to observe the applicable legal and safety regulations for the application concerned. The same applies to the use of accessories.

Load cells are not intended for use as safety components. Please also refer to the "Additional safety precautions" section. Proper and safe operation of the load cells requires proper transportation, correct storage, siting and mounting, and careful operation.

Load-carrying capacity limits

Comply with the data in the technical data sheets when using the load cells. The respective specified maximum loads in particular must never be exceeded. Do not exceed the values stated in the technical data sheets, for example, for

- limit load
- lateral load limiting
- breaking loads
- temperature limits
- limits of electrical load-carrying capacity

Note that when several load cells are installed in a scale, there is not always an even load distribution on the individual load cells.

Use as machine elements

The load cells can be used as machine elements. When used in this manner, it must be noted that, to favor greater sensitivity, the load cell is not designed with the safety factors usual in mechanical engineering. Please refer to the "Load-carrying capacity limits" section and to the specifications.

Accident prevention

The applicable accident prevention regulations from employers' liability insurance associations must be taken into account, even though the stated load in the destructive range is well in excess of the full scale value.

Additional safety precautions

Load cells cannot (as passive transducers) implement any (safety-relevant) cutoffs. This requires additional components and constructive measures, for which the installer and operator of the plant is responsible.

In cases where a breakage or malfunction of the load cells would cause injury to persons or damage to equipment, the user must take appropriate additional safety measures that meet at least the requirements of applicable safety and accident prevention regulations (e.g. automatic emergency shutdown, overload protection, catch straps or chains, or other fall protection).

The electronic processor that processes the measurement signal should be designed so that failure of the measurement signal cannot lead to secondary failures.

General dangers of failing to follow the safety instructions

Load cells are state-of-the-art and reliable. Transducers can give rise to residual dangers if they are mounted, installed, used or operated inappropriately or by untrained personnel. Everyone involved with siting, starting up, operating or repairing a load cell must have read and understood the mounting instructions and in particular the technical safety instructions. Load cells may be damaged or destroyed by improper use or non-compliance with the mounting and operating manual, these safety instructions or any other applicable safety regulations (safety and accident prevention regulations of employers' liability insurance associations) when handling the load cells. Load cells can break, particularly if overloaded. The breakage of a load cell can also cause damage to property or injury to persons in the vicinity of the load cell.

If load cells are not used according to their designated use, or if the safety instructions or specifications in the mounting and operating manual are ignored, it is also possible that the load cells may fail or malfunction, with the result that persons or property may be affected (due to the loads acting on or being monitored by the load cells).

The scope of supply and performance of the transducer covers only a small area of weighing technology, as measurements with (resistive) strain gage sensors presuppose the use of electronic signal conditioning. In addition, equipment planners, installers and operators should plan, implement and respond to the safety engineering considerations of the weighing technology in such a way as to minimize residual dangers. Pertinent national and local regulations must be complied with.

Conversions and modifications

The design or safety engineering of the transducer must not be modified without our express permission. Any modification shall exclude all liability on our part for any damage resulting therefrom.

Resale

If the load cell is resold, these mounting instructions must be included with the load cell.

Environmental protection, disposal

In accordance with national and local environmental protection, material recovery and recycling regulations, old transducers that are no longer serviceable must be disposed of separately from normal household waste.

If you require more information about disposal, please contact your local authorities or the dealer from whom you purchased the product.

Qualified personnel

Qualified personnel means persons entrusted with installing, mounting, starting up and operating the product, who possess the appropriate qualifications for their function.





This includes people who meet at least one of the three following criteria:

1. Knowledge of the safety concepts of automation technology is a requirement and as project personnel, you must be familiar with these concepts.
2. As automation plant operating personnel, you have been instructed how to handle the machinery. You are familiar with the operation of the equipment and technologies described in this documentation.
3. As commissioning engineers or service engineers, you have successfully completed the training to repair the automation systems. You are also authorized to operate, ground and mark circuits and equipment in accordance with safety engineering standards.

2 MARKINGS USED

2.1 Markings used in this document

Important instructions for your safety are highlighted. Following these instructions is essential in order to prevent accidents and damage to property.

Symbol	Significance
 Notice	This marking draws your attention to a situation in which failure to comply with safety requirements <i>can</i> lead to damage to property.
 Important	This marking draws your attention to <i>important</i> information about the product or about handling the product.
 Tip	This marking indicates application tips or other information that is useful to you.
 Information	This marking draws your attention to information about the product or about handling the product.
<i>Emphasis</i> See ...	Italics are used to emphasize and highlight text and identify references to sections, diagrams, or external documents and files.

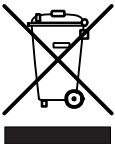
2.2 Symbols on the device

CE mark



With the CE mark, the manufacturer guarantees that the product complies with the requirements of the relevant EC directives (the Declaration of Conformity can be found on the HBM website HBM (www.hbm.com) under HBMdoc).

Statutory waste disposal marking



In accordance with national and local environmental protection and material recovery and recycling regulations, old devices that can no longer be used must be disposed of separately and not with normal household garbage.

If you need more information about disposal, please contact your local authorities or the dealer from whom you purchased the product.

3 APPLICATION

PW15AH... single-point load cells are available in four maximum capacity ranges from 10 kg to 100 kg. They are suitable for use in the food, packaging and chemicals industries, and also in retail and agriculture. They are ideal for use in conveyor, floor, shop and counter scales, as well as in filling and production plants. The PW15AH... load cell is hermetically encapsulated and has the maximum IP rating IP68/IP69K. Furthermore, it features a connection for cable protection systems, which can permanently protect the connection and cable from environmental influences such as dirt, wet, dust and rodents. The load cell is exceptionally rugged and delivers stable results even in extreme ambient conditions.

4 MOUNTING AND LOAD APPLICATION

4.1 Mounting instructions

When mounting the load cells, pay attention to the following:

- Please handle load cells with care!
- Load cells are precision sensors and so their achievable accuracy depends greatly on their being mounted correctly!
- Use suitable hoisting gear for mounting the weighing device!
- Do not overload load cells even briefly (e.g. due to unevenly distributed support loads)!
- When carrying out adjustment work that could endanger the load cells, use supports (dummies) of equal height!
- Avoid lateral forces and torques!
- Depending on the construction, use anti-liftoff devices and limit stops if necessary!
- Protect load cells against
 - one-sided heat radiation
 - the influences of subsequent welding work
 - strong temperature variations!

Notice

Load cells are precision measuring elements and need to be handled carefully. Dropping or knocking the transducer may cause permanent damage. Make sure that the transducer cannot be overloaded, including while it is being mounted.

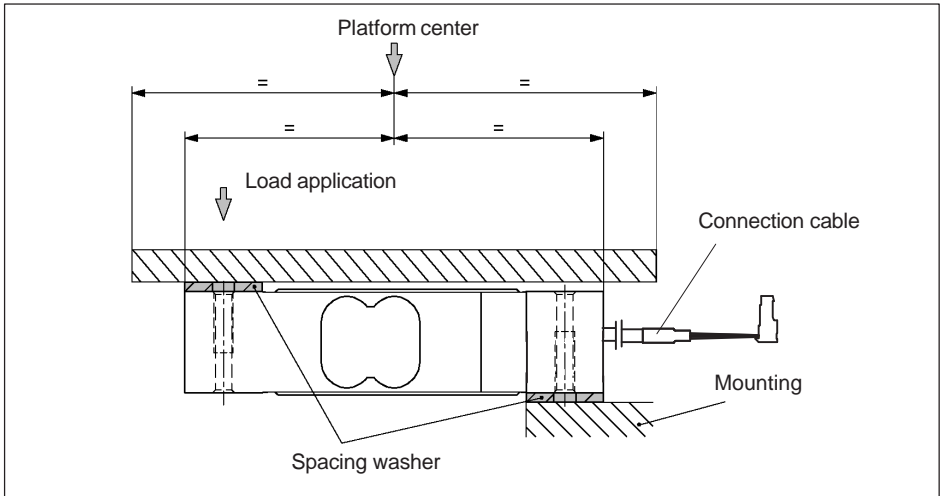
4.2 Load application

Clamp the load cells firmly at the mounting holes and apply the load at the other end. The recommended screws and tightening torques can be found in the table below:

Maximum capacities	Thread	Min. property class	Tightening torque ¹⁾
10 ... 100 kg	M6	10.9	14 N·m

¹⁾ Recommended value for the specified property class. Please note the information on screw dimensions provided by the screw manufacturer.

Load must not be applied to the side where the cable connection is located, as this would cause a force shunt.



5 ELECTRICAL CONNECTION

The following can be connected for measurement signal conditioning:

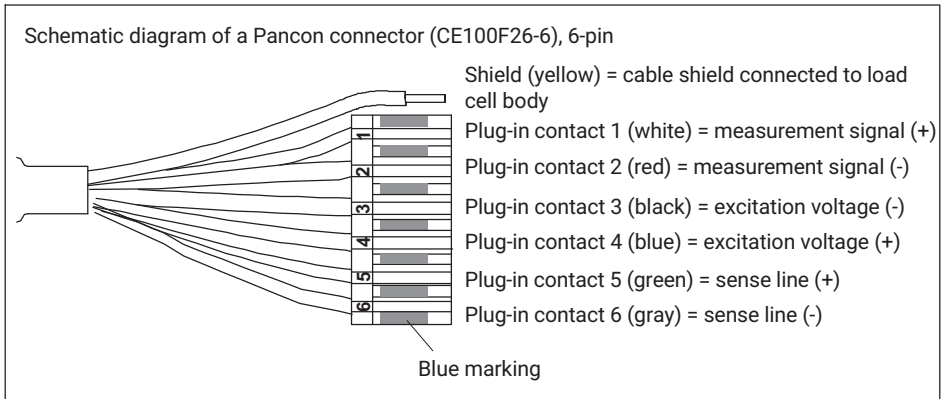
- Carrier-frequency amplifiers
- DC voltage amplifiers

that are designed for strain gage measurement systems.

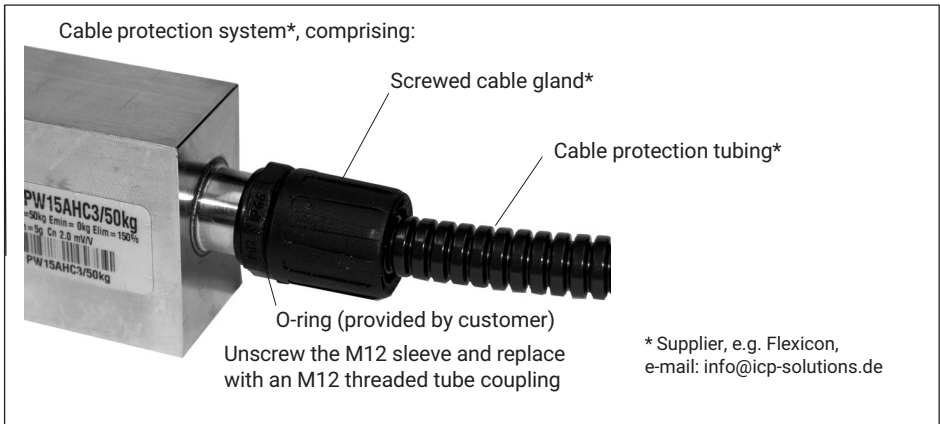
5.1 Connection in four-wire and six-wire configurations

When load cells with a six-wire configuration are connected to amplifiers with a four-wire configuration, the sense leads of the load cells must be connected to the corresponding supply leads: Marking (+) with (+) and marking (-) with (-).

6-wire cable connection (available lengths: 3 m; 6 m)



5.2 Cable protection (provided by customer)



Even without a cable protection system, standard load cells can achieve an IP rating of IP68/IP69K. In applications where the PVC cable of the load cell could be chemically or mechanically attacked or destroyed, extra cable protection can be provided using standard cable protection systems.

5.3 Shortening and extending the cable

When a six-wire configuration is used, the 6-wire cable of the load cell can be shortened with no adverse effect on measurement accuracy.

Use only shielded, low-capacitance measurement cables to extend cables, making sure there is a proper connection with minimal contact resistance.

The cable of a six-wire load cell can be extended using a cable of the same type.

5.4 Parallel connection (option)

Only single-point load cells with a compensated output (nominal (rated) sensitivity and output resistance) are suitable for parallel connection.

5.5 EMC protection

Electrical and magnetic fields often induce interference voltages in the measuring circuit. To ensure reliable measurement, however, the transducer must be able to transmit signal differences of a few μV to the analysis unit without interference.

Planning the shielding design

Due to the numerous application options and differing local constraints, we can only provide you with general information on correct connection. The shielding design suitable for your application must be planned locally by an appropriate specialist.

HBM load cells with shielded, round cables are EMC-tested in accordance with the EU Directive and bear the CE mark. Voltage surges as per EN 61000-4-5 can give rise to deviations from the load cell's specified accuracy. These surges in plants are caused by lightning strikes or switching operations in power circuits, for example, and disappear again when interference is no longer active. This is particularly evident with cables over 30 m long or if the equipment is used outdoors. Customers should take additional precautions in these cases.

Please note:

- Connect the connecting cable shield all over the surface of the shielding electronics housing. When using several load cells, connect the shields all over the surface of the junction box (combination of transducer signals, e.g. type VKK2 from HBM). From there, connect the measurement cable for the electronics over the surface of the junction box and the shielding electronics housing.
- The shield of the connecting cable must not be used for discharging potential differences within the system. You must therefore lay sufficiently dimensioned potential equalization lines to compensate for possible potential differences.
- Use shielded low-capacitance measurement cables only (HBM cables fulfill these conditions).
- Do not route measurement cables parallel to electric cables, especially power lines and control circuits. If this is not possible, protect the measurement cable, for example with steel conduits.
- Avoid stray fields from transformers, motors and contact switches.

6 CORROSION PROTECTION AND MAINTENANCE

Protect load cells against chemicals that could attack the cable or the steel of the housing.

Notice

Acids and all substances that release ions also attack stainless steels and their weld seams.

The resulting corrosion could cause the transducer to fail. If this is the case, you must provide appropriate means of protection.

The transducer is basically maintenance free.

Dust, dirt and other foreign matter must not be allowed to accumulate sufficiently to divert some of the measuring force onto the housing, thus distorting the measured value (force shunt).

Do not use hard or pointed objects to clean the transducer. The transducer achieves an IP rating of IP68 (test conditions: 100 hours under 1 m water column) and IP69K (water at high pressure, steam cleaning), as per DIN EN 60529. The transducer is therefore suitable for wet cleaning. Despite this, the transducer should be protected against the long-term effects of moisture.

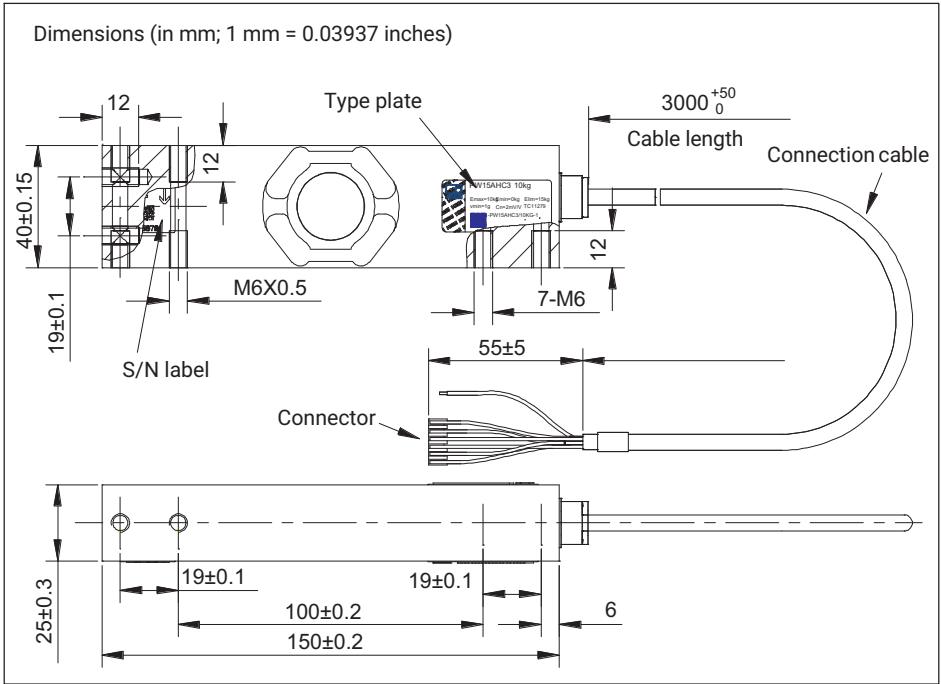
7 SPECIFICATIONS



Information

For more product information, visit www.hbm.com/de/pw.

8 DIMENSIONS



ENGLISH DEUTSCH FRANÇAIS

Montageanleitung



PW15AH

INHALTSVERZEICHNIS

1	Sicherheitshinweise	3
2	Verwendete Kennzeichnungen	6
2.1	In dieser Anleitung verwendete Kennzeichnungen	6
2.2	Auf dem Gerät angebrachte Symbole	6
3	Anwendung	7
4	Montage und Lasteinleitung	8
4.1	Montagehinweise	8
4.2	Lasteinleitung	8
5	Elektrischer Anschluss	10
5.1	Anschluss in Vier- und Sechseiter-Technik	10
5.2	Kabelschutz (kundenseitig vorzusehen)	11
5.3	Kabelkürzung und Kabelverlängerung	11
5.4	Parallelschaltung (Option)	11
5.5	EMV-Schutz	11
6	Korrosionsschutz und Wartung	13
7	Technische Daten	14
8	Abmessungen	15

Bestimmungsgemäße Verwendung

Die Wägezellen der Typenreihe PW15AH... sind für wägetechnische Anwendungen im Rahmen der durch die technischen Daten spezifizierten Belastungsgrenzen konzipiert. Jeder andere Gebrauch ist nicht bestimmungsgemäß.

Die Wägezellen dürfen nur von qualifiziertem Personal ausschließlich entsprechend der technischen Daten unter Beachtung der Sicherheitsbestimmungen und Vorschriften dieser Montageanleitung eingesetzt werden. Zusätzlich sind die für den jeweiligen Anwendungsfall geltenden Rechts- und Sicherheitsvorschriften zu beachten. Sinngemäß gilt dies auch bei Verwendung von Zubehör.

Die Wägezellen sind nicht zum Einsatz als Sicherheitsbauteile bestimmt. Bitte beachten Sie hierzu den Abschnitt „Zusätzliche Sicherheitsvorkehrungen“. Der einwandfreie und sichere Betrieb der Wägezellen setzt sachgemäßen Transport, fachgerechte Lagerung, Aufstellung und Montage sowie sorgfältige Bedienung voraus.

Belastbarkeitsgrenzen

Beim Einsatz der Wägezellen sind die Angaben in den technischen Datenblättern unbedingt zu beachten. Insbesondere dürfen die jeweils angegebenen Maximalbelastungen keinesfalls überschritten werden. Nicht überschritten werden dürfen z. B. die in den technischen Datenblättern angegebenen Werte für

- Grenzlast
- Grenzquerbelastung
- Bruchlasten
- Temperaturgrenzen
- Grenzen der elektrischen Belastbarkeit

Beachten Sie, dass beim Einbau mehrerer Wägezellen in eine Waage die Lastverteilung auf die einzelnen Wägezellen nicht immer gleichmäßig ist.

Einsatz als Maschinenelemente

Die Wägezellen können als Maschinenelemente eingesetzt werden. Bei dieser Verwendung ist zu beachten, dass die Wägezellen zu Gunsten einer hohen Messempfindlichkeit nicht mit den im Maschinenbau üblichen Sicherheitsfaktoren konstruiert wurden. Beachten Sie hierzu den Abschnitt „Belastbarkeitsgrenzen“ und die technischen Daten.

Unfallverhütung

Obwohl die angegebene Last im Zerstörungsbereich ein Mehrfaches vom Messbereichsendwert beträgt, müssen die einschlägigen Unfallverhütungsvorschriften der Berufsgenossenschaften berücksichtigt werden.

Zusätzliche Sicherheitsvorkehrungen

Die Wägezellen können (als passive Aufnehmer) keine (sicherheitsrelevanten) Abschaltungen vornehmen. Dafür bedarf es weiterer Komponenten und konstruktiver Vorkehrungen, für die der Errichter und Betreiber der Anlage Sorge zu tragen hat.

Wo bei Bruch oder Fehlfunktion der Wägezellen Menschen oder Sachen zu Schaden kommen können, müssen vom Anwender geeignete zusätzliche Sicherheitsvorkehrungen getroffen werden, die zumindest den Anforderungen der einschlägigen Unfallverhütungsvorschriften genügen (z. B. automatische Notabschaltungen, Überlastsicherungen, Fangflaschen oder -ketten oder andere Absturzsicherungen).

Die das Messsignal verarbeitende Elektronik ist so zu gestalten, dass bei Ausfall des Messsignals keine Folgeschäden auftreten können.

Allgemeine Gefahren bei Nichtbeachten der Sicherheitshinweise

Die Wägezellen entsprechen dem Stand der Technik und sind betriebssicher. Von den Aufnehmern können Gefahren ausgehen, wenn sie von ungeschultem Personal oder unsachgemäß montiert, aufgestellt, eingesetzt und bedient werden. Jede Person, die mit Aufstellung, Inbetriebnahme, Betrieb oder Reparatur einer Wägezelle beauftragt ist, muss die Montageanleitung und insbesondere die sicherheitstechnischen Hinweise gelesen und verstanden haben. Bei nicht bestimmungsgemäßem Gebrauch der Wägezellen, bei Nichtbeachtung der Montage- und Bedienungsanleitung, dieser Sicherheitshinweise oder sonstiger einschlägiger Sicherheitsvorschriften (Unfallverhütungsvorschriften der BG) beim Umgang mit den Wägezellen, können die Wägezellen beschädigt oder zerstört werden. Insbesondere bei Überlastungen kann es zum Bruch von Wägezellen kommen. Durch den Bruch einer Wägezelle können darüber hinaus Sachen oder Personen in der Umgebung der Wägezelle zu Schaden kommen.

Werden Wägezellen nicht ihrer Bestimmung gemäß eingesetzt oder werden die Sicherheitshinweise oder die Vorgaben der Montage- oder Bedienungsanleitung außer Acht gelassen, kann es ferner zum Ausfall oder zu Fehlfunktionen der Wägezellen kommen, mit der Folge, dass (durch auf die Wägezellen einwirkende oder durch diese überwachte Lasten) Menschen oder Sachen zu Schaden kommen können.

Der Leistungs- und Lieferumfang des Aufnehmers deckt nur einen Teilbereich der Wägetechnik ab, da Messungen mit (resistiven) DMS-Sensoren eine elektronische Signalverarbeitung voraussetzen. Sicherheitstechnische Belange der Wägetechnik sind zusätzlich vom Anlagenplaner/Ausrüster/Betreiber so zu planen, zu realisieren und zu verantworten, dass Restgefahren minimiert werden. Die jeweils existierenden nationalen und örtlichen Vorschriften sind zu beachten.

Umbauten und Veränderungen

Der Aufnehmer darf ohne unsere ausdrückliche Zustimmung weder konstruktiv noch sicherheitstechnisch verändert werden. Jede Veränderung schließt eine Haftung unsererseits für daraus resultierende Schäden aus.

Veräußerung

Bei einer Veräußerung der Wägezelle ist diese Montageanleitung der Wägezelle beizulegen.

Umweltschutz, Entsorgung

Nicht mehr gebrauchsfähige Aufnehmer sind gemäß den nationalen und örtlichen Vorschriften für Umweltschutz und Rohstoffrückgewinnung getrennt von regulärem Hausmüll zu entsorgen.

Falls Sie weitere Informationen zur Entsorgung benötigen, wenden Sie sich bitte an die örtlichen Behörden oder an den Händler, bei dem Sie das Produkt erworben haben.

Qualifiziertes Personal

Qualifiziertes Personal sind Personen, die mit Aufstellung, Montage, Inbetriebsetzung und Betrieb des Produktes vertraut sind und die über die ihrer Tätigkeit entsprechende Qualifikationen verfügen.





Dazu zählen Personen, die mindestens eine der drei folgenden Voraussetzungen erfüllen:

1. Ihnen sind die Sicherheitskonzepte der Automatisierungstechnik bekannt und Sie sind als Projektpersonal damit vertraut.
2. Sie sind Bedienungspersonal der Automatisierungsanlagen und im Umgang mit den Anlagen unterwiesen. Sie sind mit der Bedienung der in dieser Dokumentation beschriebenen Geräten und Technologien vertraut.
3. Sie sind Inbetriebnehmer oder für den Service eingesetzt und haben eine Ausbildung absolviert, die Sie zur Reparatur der Automatisierungsanlagen befähigt. Außerdem haben Sie eine Berechtigung, Stromkreise und Geräte gemäß den Normen der Sicherheitstechnik in Betrieb zu nehmen, zu erden und zu kennzeichnen.

2 VERWENDETE KENNZEICHNUNGEN

2.1 In dieser Anleitung verwendete Kennzeichnungen

Wichtige Hinweise für Ihre Sicherheit sind besonders gekennzeichnet. Beachten Sie diese Hinweise unbedingt, um Unfälle und Sachschäden zu vermeiden.

Symbol	Bedeutung
 Hinweis	Diese Kennzeichnung weist auf eine Situation hin, die – wenn die Sicherheitsbestimmungen nicht beachtet werden – Sachschäden zur Folge <i>haben kann</i> .
 Wichtig	Diese Kennzeichnung weist auf <i>wichtige</i> Informationen zum Produkt oder zur Handhabung des Produktes hin.
 Tipp	Diese Kennzeichnung weist auf Anwendungstipps oder andere für Sie nützliche Informationen hin.
 Information	Diese Kennzeichnung weist auf Informationen zum Produkt oder zur Handhabung des Produktes hin.
<i>Hervorhebung</i> <i>Siehe ...</i>	Kursive Schrift kennzeichnet Hervorhebungen im Text und kennzeichnet Verweise auf Kapitel, Bilder oder externe Dokumente und Dateien.

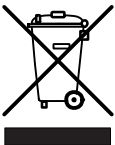
2.2 Auf dem Gerät angebrachte Symbole

CE-Kennzeichnung



Mit der CE-Kennzeichnung garantiert der Hersteller, dass sein Produkt den Anforderungen der relevanten EG-Richtlinien entspricht (die Konformitätserklärung finden Sie auf der Website von HBM (www.hbm.com) unter HBMdoc).

Gesetzlich vorgeschriebene Kennzeichnung zur Entsorgung



Nicht mehr gebrauchsfähige Altgeräte sind gemäß den nationalen und örtlichen Vorschriften für Umweltschutz und Rohstoffrückgewinnung getrennt von regulärem Hausmüll zu entsorgen. Falls Sie weitere Informationen zur Entsorgung benötigen, wenden Sie sich bitte an die örtlichen Behörden oder an den Händler, bei dem Sie das Produkt erworben haben.

3 ANWENDUNG

Die Plattformwägezellen PW15AH... sind in vier Nennlastbereichen von 10 kg bis 100 kg verfügbar. Sie eignen sich für den Einsatz in der Lebensmittel-, Verpackungs- und Chemieindustrie sowie für Handel und Landwirtschaft. Sie sind ideal für den Einsatz in Band-, Boden-, Tisch- und Ladenwaagen sowie Füll- und Produktionsanlagen. Die Wägezelle PW15AH... ist hermetisch gekapselt und verfügt über die höchstmögliche Schutzart IP68/IP69K. Außerdem verfügt sie über einen Anschluss für Kabelschutzsysteme, welche den Anschluss und das Kabel dauerhaft gegen Umwelteinflüsse wie Schmutz, Nässe, Staub oder Nagetiere schützen können. Die Wägezelle ist enorm robust und liefert auch unter extremen Umgebungsbedingungen stabile Ergebnisse.

4 MONTAGE UND LASTEINLEITUNG

4.1 Montagehinweise

Bei der Montage der Wägezellen sind folgende Punkte zu beachten:

- Wägezelle bitte schonend handhaben!
- Wägezellen sind Präzisionsaufnehmer, die erzielbare Genauigkeit ist daher stark von der korrekten Montage abhängig!
- Für die Montage der Wägevorrichtung geeignete Hebezeuge verwenden!
- Wägezelle nicht überlasten, auch nicht kurzzeitig (z. B. durch ungleich verteilte Auflagerlasten)!
- Bei Richtarbeiten, die die Wägezellen gefährden können, gleich hohe Stützkörper (Dummies) einsetzen!
- Querkräfte und Momente vermeiden.
- Je nach Konstruktion Abhebesicherungen und Endanschläge vorsehen!
- Schützen Sie die Wägezelle vor
 - einseitiger Wärmeeinstrahlung
 - Einflüssen durch nachträgliche Schweißarbeiten
 - starken Temperaturänderungen!

Hinweis

Wägezellen sind Präzisions-Messelemente und verlangen daher eine umsichtige Handhabung. Stöße oder Stürze können zu permanenten Schäden am Aufnehmer führen. Sorgen Sie dafür, dass auch bei der Montage keine Überlastung des Aufnehmers auftreten kann.

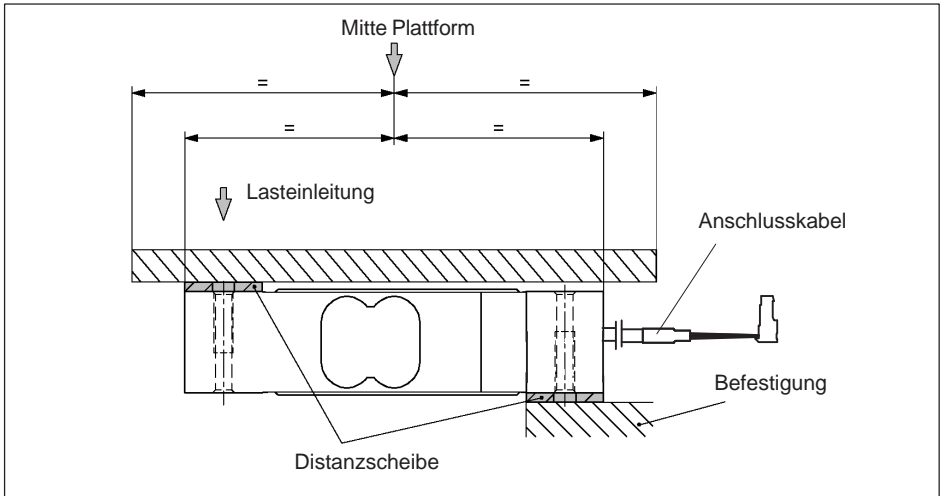
4.2 Lasteinleitung

Die Wägezellen werden an den Montagebohrungen fest eingespannt, die Last wird am anderen Ende aufgebracht. Die empfohlenen Schrauben und Anzugsmomente entnehmen Sie der nachfolgenden Tabelle:

Nennlasten	Gewinde	Min.-Festigkeitsklasse	Anzugsmoment ¹⁾
10...100 kg	M6	10.9	14 N·m

¹⁾ Richtwert für die angegebene Festigkeitsklasse. Zur Auslegung von Schrauben beachten Sie bitte entsprechende Informationen der Schraubenhersteller

Die Lasteinleitung darf nicht auf der Seite des Kabelanschlusses erfolgen, dies führt zu einem Kraftnebenschluss.



5 ELEKTRISCHER ANSCHLUSS

Zur Messsignalverarbeitung können angeschlossen werden:

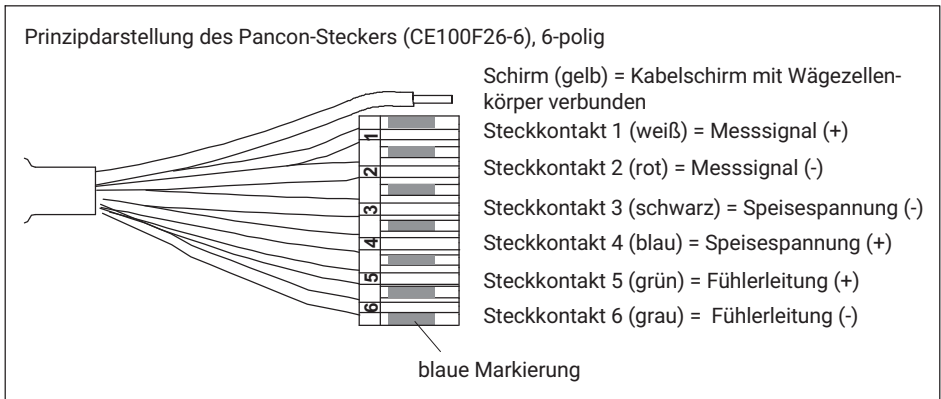
- Trägerfrequenz-Messverstärker
- Gleichspannungs-Messverstärker

die für DMS-Messsysteme ausgelegt sind.

5.1 Anschluss in Vier- und Sechsheiter-Technik

Wenn Wägezellen, die in Sechsheiter-Technik ausgeführt sind, an Verstärker mit Vierleiter-Technik angeschlossen werden, sind die Fühlerleitungen der Wägezellen mit den entsprechenden Speiseleitungen zu verbinden: Kennzeichnung (+) mit (+) und Kennzeichnung (-) mit (-).

Anschluss mit 6-adrigem Kabel (Längen wählbar: 3 m; 6 m)



5.2 Kabelschutz (kundenseitig vorzusehen)



Auch ohne Kabelschutzsystem wird bei den Standardwägezellen die Schutzart IP68/IP69K erreicht. Bei Anwendungsfällen, bei denen das PVC-Kabel der Wägezelle chemisch oder mechanisch angegriffen oder zerstört werden kann, ist es möglich, das Kabel mittels handelsüblicher Kabelschutzsysteme zusätzlich zu schützen.

5.3 Kabelkürzung und Kabelverlängerung

Bei Anwendung der Sechisleiter-Technik kann das 6-adrige Kabel der Wägezelle gekürzt werden, ohne dass dadurch die Messgenauigkeit beeinträchtigt wird.

Zur Verlängerung von Kabeln verwenden Sie nur abgeschirmte, kapazitätsarme Messkabel, wobei auf eine einwandfreie Verbindung mit geringstem Übergangswiderstand zu achten ist.

Das Kabel einer Sechisleiter-Wägezelle kann mit einem gleichartigen Kabel verlängert werden.

5.4 Parallelschaltung (Option)

Nur Plattform-Wägezellen mit abgeglichenen Ausgang (Nennkennwert und Ausgangswiderstand) sind zur Parallelschaltung geeignet.

5.5 EMV-Schutz

Elektrische und magnetische Felder verursachen oft eine Einkopplung von Störspannungen in den Messkreis. Für eine zuverlässige Messung müssen jedoch Signalunterschiede von wenigen μV , vom Aufnehmer zur Auswerteelektronik störungsfrei übertragen werden können.

Planung des Schirmungskonzepts

Aufgrund der vielfältigen Einsatzmöglichkeiten und der unterschiedlichen Randbedingungen vor Ort können wir Ihnen nur Hinweise für einen sachgerechten Anschluss geben. Das für Ihre Anwendung passende Schirmungskonzept muss vor Ort von einer entsprechenden Fachkraft geplant werden.

HBM-Wägezellen mit geschirmtem Rundkabel sind gemäß der EU- Richtlinie EMV geprüft und tragen die CE-Kennzeichnung. Durch Spannungstöße nach EN 61000-4-5 können Abweichungen über der spezifizierten Genauigkeit der Wägezelle entstehen. Solche Spannungstöße kommen in Anlagen z.B. durch Blitzeinschlag oder Schaltheandlungen in Leistungsstromkreisen vor und verschwinden direkt nach Störeinwirkung wieder. Dies ist insbesondere bei Kabellängen über 30 m oder Verwendung im Außenbereich zu beachten. In diesen Anwendungsfällen sind kundenseitig zusätzliche Vorkehrungen zu treffen.

Zu beachtende Punkte:

- Schließen Sie den Schirm des Anschlusskabels flächig am schirmenden Gehäuse der Elektronik an. Schließen Sie bei der Verwendung von mehreren Wägezellen die Schirme flächig am Klemmenkasten (Zusammenführung der Aufnehmersignale, z. B. Typ VKK2 von HBM) an. Schließen Sie von dort aus das Messkabel zur Elektronik sowohl flächig am Klemmenkasten als auch flächig am schirmenden Gehäuse der Elektronik an.
- Der Schirm der Anschlusskabel darf nicht als Ableitung von Potenzialunterschieden innerhalb des Systems dienen. Verlegen Sie deshalb ausreichend dimensionierte Potenzialausgleichsleitungen, um mögliche Potenzialunterschiede auszugleichen.
- Verwenden Sie nur abgeschirmte kapazitätsarme Messkabel (HBM-Kabel erfüllen diese Bedingungen).
- Legen Sie die Messkabel nicht parallel zu Stromkabeln, insbesondere zu Starkstrom- und Steuerleitungen. Falls dies nicht möglich ist, schützen Sie die Messkabel, z. B. durch Stahlpanzerrohre.
- Meiden Sie Streufelder von Trafos, Motoren und Schützen

6 KORROSIONSSCHUTZ UND WARTUNG

Die Wägezelle muss gegen Chemikalien geschützt werden, die den Stahl des Gehäuses oder das Kabel angreifen.

Hinweis

Säuren und alle Stoffe, die Ionen freisetzen, greifen auch nichtrostende Stähle und deren Schweißnähte an.

Die dadurch auftretende Korrosion kann zum Ausfall des Aufnehmers führen. Sehen Sie in diesem Fall entsprechende Schutzmaßnahmen vor.

Der Aufnehmer ist grundsätzlich wartungsfrei.

Staub, Schmutz und andere Fremdkörper dürfen sich nicht so ansammeln, dass sie einen Teil der Messkraft auf das Gehäuse umleiten und dadurch den Messwert verfälschen (Kraftnebenschluss).

Verwenden Sie beim Reinigen des Aufnehmers keine harten oder spitzen Gegenstände. Der Aufnehmer erreicht die Schutzklasse IP68 (Prüfbedingungen: 100 Stunden unter 1 m Wassersäule) und IP69K (Wasser bei Hochdruck, Dampfstrahlreinigung) nach DIN EN 60529. Der Aufnehmer darf aufgrund dessen nass gereinigt werden. Trotzdem sollte der Aufnehmer gegen dauerhafte Feuchteinwirkung geschützt werden.

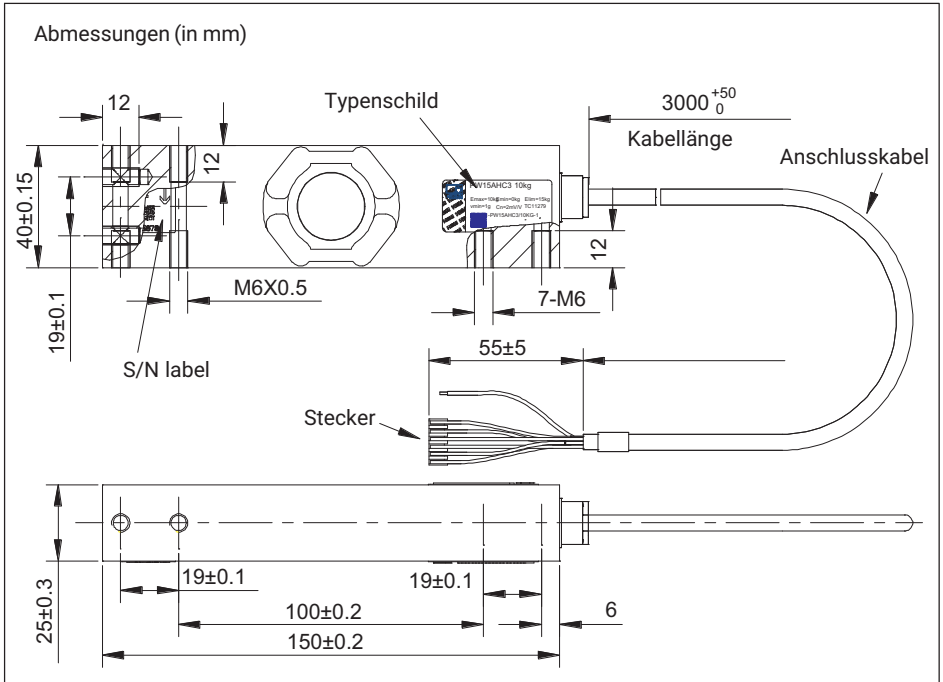
7 TECHNISCHE DATEN



Information

Weitere Produktinformationen finden Sie unter www.hbm.com/de/pw.

8 ABMESSUNGEN



ENGLISH DEUTSCH FRANÇAIS

Notice de montage



PW15AH

TABLE DES MATIÈRES

1	Consignes de sécurité	3
2	Marquages utilisés	6
2.1	Marquages utilisés dans le présent document	6
2.2	Symboles apposés sur l'appareil	6
3	Application	7
4	Montage et application de charge	8
4.1	Instructions de montage	8
4.2	Application de charge	8
5	Raccordement électrique	10
5.1	Raccordement en technique à quatre et six fils	10
5.2	Protection du câble (à prévoir par le client)	11
5.3	Raccourcissement et rallongement de câble	11
5.4	Branchement en parallèle (option)	11
5.5	Protection CEM	11
6	Protection contre la corrosion et entretien	13
7	Caractéristiques techniques	14
8	Dimensions	15

1 CONSIGNES DE SÉCURITÉ

Utilisation conforme

Les pesons de la série PW15AH... sont conçus pour des applications de pesage dans le cadre des limites de charge spécifiées dans les caractéristiques techniques. Toute autre utilisation est considérée comme non conforme.

Les pesons doivent uniquement être manipulés par du personnel qualifié conformément aux caractéristiques techniques en respectant les consignes de sécurité et dispositions mentionnées dans la présente notice de montage. De plus, il convient, pour chaque cas particulier, de respecter les règlements et consignes de sécurité correspondants. Ceci s'applique également à l'utilisation des accessoires.

Les pesons ne sont pas destinés à être mis en œuvre comme éléments de sécurité. Reportez-vous à ce sujet au paragraphe "Mesures de sécurité supplémentaires". Afin de garantir un fonctionnement parfait et en toute sécurité des pesons, il convient de veiller à un transport, un stockage, une installation et un montage appropriés et d'assurer un maniement scrupuleux.

Limites de capacité de charge

Lors de l'utilisation des pesons, respecter impérativement les données fournies dans les caractéristiques techniques. Les charges maximales indiquées ne doivent notamment en aucun cas être dépassées. Il ne faut pas dépasser les valeurs indiquées dans les caractéristiques techniques par ex. pour

- la charge limite,
- la charge transverse limite,
- les charges de rupture,
- les limites de température,
- les limites de charge électrique.

En cas de montage de plusieurs pesons dans une balance, notez que la charge n'est pas toujours répartie de façon homogène sur les différents pesons.

Utilisation en tant qu'éléments de machine

Les pesons peuvent être utilisés en tant qu'éléments de machine. Dans ce type d'utilisation, il convient de noter que les pesons ne peuvent pas présenter les facteurs de sécurité habituels en construction mécanique, car l'accent est mis sur la sensibilité élevée. Reportez-vous à ce sujet au paragraphe "Limites de capacité de charge" et aux caractéristiques techniques.

Prévention des accidents

Bien que la charge indiquée dans la plage de destruction corresponde à un multiple de la pleine échelle, il est impératif de respecter les directives pour la prévention des accidents du travail éditées par les caisses professionnelles d'assurance accident.

Mesures de sécurité supplémentaires

Les pesons ne peuvent déclencher (en tant que capteurs passifs) aucun arrêt (relatif à la sécurité). Il faut pour cela mettre en œuvre d'autres composants et prendre des mesures constructives, tâches qui incombent à l'installateur et à l'exploitant de l'installation.

Lorsque les pesons risquent de blesser des personnes ou endommager des biens suite à une rupture ou un dysfonctionnement, l'utilisateur doit prendre des mesures de sécurité supplémentaires appropriées afin de répondre au moins aux exigences des directives pour la prévention des accidents du travail (par ex. dispositifs d'arrêt automatiques, limiteurs de charge, lanières ou chaînes de sécurité ou tout autre dispositif anti-chute).

L'électronique traitant le signal de mesure doit être conçue de manière à empêcher tout endommagement consécutif à une panne du signal.

Risques généraux en cas de non-respect des consignes de sécurité

Les pesons correspondent au niveau de développement technologique actuel et présentent une parfaite sécurité de fonctionnement. Les capteurs peuvent représenter un danger s'ils sont montés, installés, utilisés et manipulés de manière incorrecte par du personnel non qualifié. Toute personne chargée de l'installation, de la mise en service, de l'utilisation ou de la réparation d'un peson doit impérativement avoir lu et compris la notice de montage et notamment les informations relatives à la sécurité. En cas d'utilisation non conforme des pesons, de non-respect de la notice de montage et du manuel d'emploi, ainsi que des présentes consignes de sécurité ou de toute autre consigne de sécurité applicable pour l'usage des pesons (par ex. les directives pour la prévention des accidents du travail éditées par les caisses professionnelles d'assurance accident), les pesons peuvent être endommagés ou détruits. En cas de surcharges notamment, les pesons peuvent se briser. En outre, la rupture d'un peson peut endommager des biens ou blesser des personnes se trouvant à proximité du peson.

Si les pesons sont utilisés pour un usage non conforme ou que les consignes de sécurité ou encore les prescriptions de la notice de montage ou du manuel d'emploi sont ignorées, cela peut également entraîner une panne ou des dysfonctionnements des pesons pouvant à leur tour provoquer des préjudices corporels ou matériels (de par les charges agissant sur les pesons ou celles surveillées par ces derniers).

Les performances du capteur et l'étendue de la livraison ne couvrent qu'une partie de la technique de pesage car les mesures effectuées avec des capteurs à jauges (résistifs) supposent l'emploi d'un traitement de signal électronique. La sécurité dans ce domaine doit également être conçue, mise en œuvre et prise en charge par l'ingénieur/le constructeur/l'exploitant de manière à minimiser les dangers résiduels. Il convient de respecter les réglementations nationales et locales en vigueur.

Transformations et modifications

Il est interdit de modifier le capteur sur le plan conceptuel ou celui de la sécurité sans accord explicite de notre part. Nous ne pourrions en aucun cas être tenus responsables des dommages qui résulteraient d'une modification quelconque.

Cession

En cas de cession du peson, la présente notice de montage doit être jointe au peson.

Protection de l'environnement, élimination des déchets

Conformément aux réglementations nationales et locales en matière de protection de l'environnement et de recyclage, les capteurs hors d'usage doivent être éliminés séparément des ordures ménagères normales.

Pour plus d'informations sur l'élimination d'appareils, consultez les autorités locales ou le revendeur auprès duquel vous avez acheté le produit en question.

Personnel qualifié

Sont considérées comme personnel qualifié les personnes familiarisées avec l'installation, le montage, la mise en service et l'exploitation du produit, et disposant des qualifications nécessaires à l'accomplissement de leur tâche.





En font partie les personnes remplissant au moins une des trois conditions suivantes :

1. Elles connaissent les concepts de sécurité de la technique d'automatisation et les maîtrisent en tant que chargé de projet.
2. En qualité d'opérateur des installations d'automatisation, ces personnes ont été formées pour pouvoir utiliser les installations. Elles savent comment utiliser les appareils et technologies décrits dans le présent document.
3. En tant que personnes chargées de la mise en service ou de la maintenance, elles disposent d'une formation les autorisant à réparer les installations d'automatisation. En outre, ces personnes sont autorisées à mettre en service, mettre à la terre et marquer des circuits électriques et des instruments selon les normes des techniques de sécurité.

2 MARQUAGES UTILISÉS

2.1 Marquages utilisés dans le présent document

Les consignes importantes pour votre sécurité sont repérées d'une manière particulière. Respectez impérativement ces consignes pour éviter tout accident et/ou dommage matériel.

Symbole	Signification
 Note	Ce marquage signale une situation qui - si les dispositions relatives à la sécurité ne sont pas respectées - <i>peut avoir</i> pour conséquence des dégâts matériels.
 Important	Ce marquage signale que des informations <i>importantes</i> concernant le produit ou sa manipulation sont fournies.
 Conseil	Ce marquage est associé à des conseils d'utilisation ou autres informations utiles.
 Information	Ce marquage signale que des informations concernant le produit ou sa manipulation sont fournies.
<i>Mise en valeur</i> <i>Voir ...</i>	Pour mettre en valeur certains mots du texte, ces derniers sont écrits en italique.

2.2 Symboles apposés sur l'appareil

Marquage CE



Le marquage CE permet au constructeur de garantir que son produit est conforme aux exigences des directives européennes correspondantes (la déclaration de conformité est disponible sur le site Internet de HBM (www.hbm.com) sous HBMdoc).

Marquage d'élimination des déchets prescrit par la loi



Les appareils usagés devenus inutilisables ne doivent pas être mis au rebut avec les déchets ménagers usuels conformément aux directives nationales et locales pour la protection de l'environnement et la valorisation des matières premières. Pour plus d'informations sur l'élimination d'appareils, consultez les autorités locales ou le revendeur auprès duquel vous avez acheté le produit en question.

3 APPLICATION

Les pesons plateformes PW15AH...sont disponibles dans quatre plages de portées maximales allant de 10 kg à 100 kg. Ils sont adaptés pour une utilisation dans l'industrie agroalimentaire et chimique, ainsi que dans le secteur du conditionnement, dans le commerce et l'agriculture. Ils sont idéaux pour une utilisation dans les balances de convoyeur à bande, les balances stationnaires, les balances de comptoir et les balances de charge ainsi que dans les installations de remplissage et de production. Le peson PW15AH... est fermé hermétiquement et il possède le degré de protection le plus élevé possible IP68/IP69K. Par ailleurs, il dispose d'un raccordement pour les systèmes de protection de câbles qui peuvent protéger le raccordement et le câble durablement contre les influences ambiantes telles la saleté, l'humidité, la poussière ou les rongeurs. Le peson est extrêmement robuste et fournit des résultats stables même dans des conditions ambiantes extrêmes.

4 MONTAGE ET APPLICATION DE CHARGE

4.1 Instructions de montage

Lors du montage des pesons, les points suivants doivent être respectés :

- Manipuler le peson avec précaution !
- Les pesons étant des capteurs de précision, l'exactitude atteignable dépend donc fortement d'une réalisation correcte du montage !
- Utiliser des engins de levage adaptés pour le montage du dispositif de pesée !
- Ne pas surcharger le peson même brièvement (par ex. par des charges de supports non réparties uniformément) !
- Lors de travaux de redressage pouvant présenter un danger pour les pesons, utiliser des organes d'appui (leurres) de même hauteur !
- Éviter les forces transverses et les moments.
- En fonction de la fabrication, prévoir des sécurités anti-soulèvement et des butées d'extrémité !
- Protégez le peson
 - d'un rayonnement thermique unilatéral
 - des influences dues aux travaux de soudure ultérieurs
 - des fortes variations de température !

Note

Les pesons sont des éléments sensibles de précision et doivent donc être maniés avec précaution. Les chocs et les chutes risquent de provoquer un endommagement irréversible du capteur. Veiller à ce que le capteur ne puisse pas être surchargé lors du montage également.

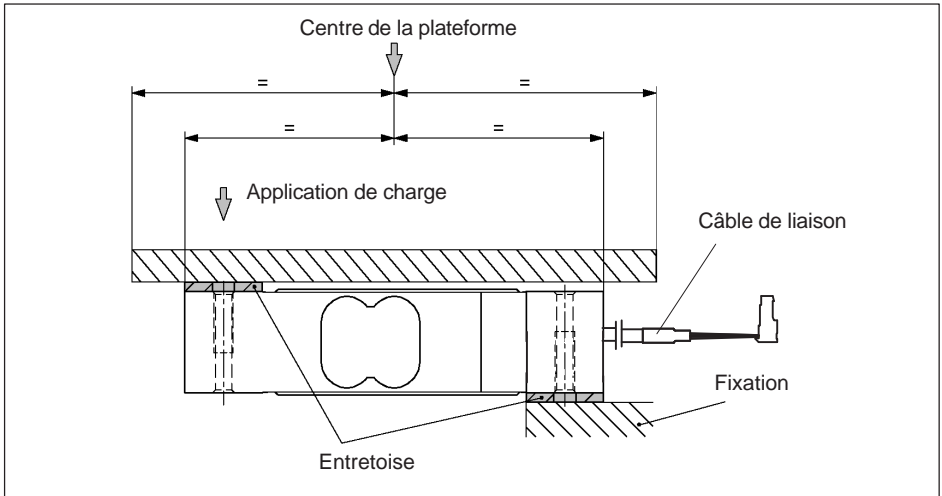
4.2 Application de charge

Les capteurs de pesage sont fermement serrés au niveau des orifices de montage, la charge est appliquée de l'autre côté. Les vis et couples de serrage recommandés sont indiqués dans le tableau ci-dessous :

Portées max.	Filetage	Classe de dureté mini.	Couple de serrage ¹⁾
10...100 kg	M6	10.9	14 N·m

¹⁾ Valeur recommandée pour la classe de dureté indiquée. Pour le dimensionnement des vis, respectez les informations correspondantes fournies par le fabricant des vis

La charge ne doit pas être appliquée du côté du raccordement du câble afin d'éviter tout shunt de force.



5 RACCORDEMENT ÉLECTRIQUE

Pour traiter les signaux de mesure, il est possible de raccorder :

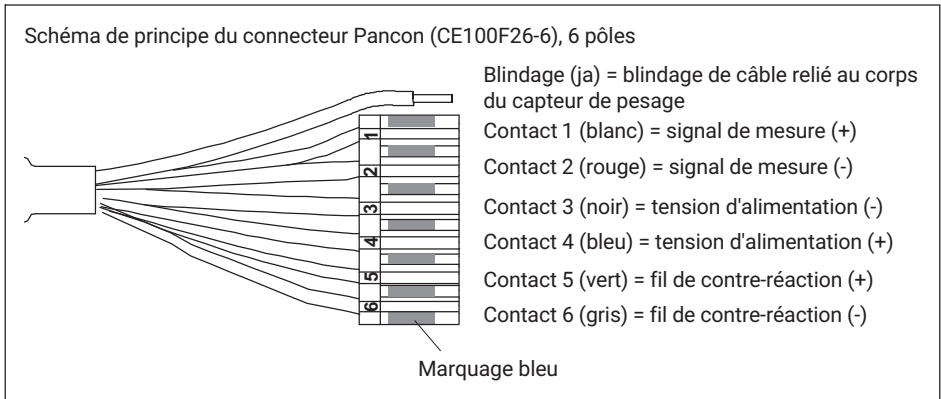
- des amplificateurs à fréquence porteuse
- des amplificateurs à courant continu

convenant aux systèmes de mesure à jauges d'extensométrie.

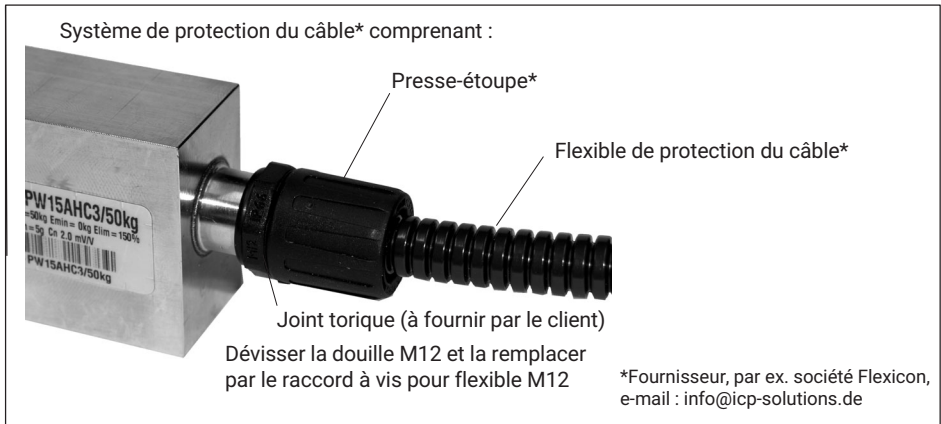
5.1 Raccordement en technique à quatre et six fils

Si les pesons sont structurés en technique à six fils, mais raccordés à un amplificateur à quatre fils, il est alors nécessaire de relier les fils de contre-réaction des pesons aux fils d'alimentation correspondants : (+) avec (+) et (-) avec (-).

Raccordement avec un câble à 6 fils (longueurs au choix : 3 m ; 6 m)



5.2 Protection du câble (à prévoir par le client)



Les pesons standard atteignent le degré de protection IP68/IP69K, même sans système de protection du câble. Dans les applications où le câble PVC du peson risque d'être attaqué ou détruit par voie chimique ou mécanique, il est possible de protéger le câble en supplément avec des systèmes de protection de câble courants.

5.3 Raccourcissement et rallongement de câble

Lorsque la technique six fils est utilisée, le câble à 6 fils du peson peut être raccourci sans que l'exactitude de mesure n'en soit affectée.

Pour rallonger des câbles, utilisez exclusivement des câbles de mesure blindés de faible capacité en veillant à obtenir une connexion parfaite avec une résistance de contact aussi faible que possible.

Le câble d'un peson à six fils peut être rallongé avec un câble de même type.

5.4 Branchement en parallèle (option)

Seuls les pesons plateformes avec sortie ajustée (sensibilité nominale et résistance de sortie) sont adaptés pour un branchement en parallèle.

5.5 Protection CEM

Les champs électriques et magnétiques provoquent souvent le couplage de tensions perturbatrices dans le circuit de mesure. Pour une mesure fiable, le système doit pouvoir transmettre sans parasitage des écarts de signaux de quelques μV du capteur à l'électronique d'exploitation.

Planification du concept de blindage

En raison de la multitude de possibilités d'utilisation et de conditions sur site, nous pouvons uniquement vous donner des indications pour un raccordement correct. Le concept de blindage adapté à votre application doit être planifié sur place par un spécialiste compétent.

Les capteurs de pesage HBM avec câble rond blindé sont éprouvés CEM conformément à la directive européenne correspondante et portent le marquage CE. Des chocs de tension selon EN 61000-4-5 peuvent générer des écarts supérieurs à l'exactitude spécifiée du capteur de pesage. De tels chocs de tension apparaissent dans les installations, par exemple suite à des impacts de foudre ou à des manœuvres dans des circuits de puissance. Ils disparaissent immédiatement après la perturbation. Cela est à prendre en compte en particulier pour les câbles de plus de 30 m ou en cas d'utilisation en extérieur. Dans ces cas, le client doit prendre des mesures supplémentaires.

Points à observer :

- Raccorder le blindage du câble de liaison en nappe au boîtier blindé de l'électronique. En cas d'utilisation de plusieurs capteurs de pesage, raccorder les blindages en nappe au boîtier de raccordement (regroupement des signaux de capteurs, par ex. type VKK2 de HBM). De là, raccorder le câble de mesure menant à l'électronique aussi bien en nappe au niveau du boîtier de raccordement qu'en nappe au niveau du boîtier blindé de l'électronique.
- Le blindage du câble de liaison ne doit pas servir de dérivation pour les différences de potentiel au sein du système. Poser plutôt des lignes d'équipotentialité de dimension suffisante pour compenser les différences de potentiel éventuelles.
- Utiliser uniquement des câbles de mesure blindés de faible capacité (les câbles de mesure HBM remplissent cette condition).
- Éviter absolument de poser les câbles de mesure en parallèle avec des câbles électriques, notamment des lignes de puissance et de contrôle. Si cela n'est pas possible, protéger le câble de mesure, par ex. à l'aide de tubes en acier blindé.
- Éviter les champs de dispersion des transformateurs, moteurs et vannes.

6 PROTECTION CONTRE LA CORROSION ET ENTRETIEN

Le peson doit être protégé contre les produits chimiques susceptibles d'attaquer l'acier du boîtier ou le câble.

Note

Les acides et toutes les substances libérant des ions attaquent également les aciers inoxydables et leurs cordons de soudure.

La corrosion qui en résulte est susceptible d'entraîner la défaillance du capteur. Dans ce cas, il faut prévoir des mesures de protection appropriées.

Le capteur est en principe sans entretien.

La poussière, la saleté et autres corps étrangers ne doivent pas s'accumuler sous peine de dévier une partie de la force de mesure sur le boîtier et ainsi de fausser la valeur de mesure (shunt).

Pour nettoyer le capteur, n'utilisez pas d'objets durs ou pointus. Le capteur atteint la classe de protection IP68 (conditions d'essai : 100 heures sous une colonne d'eau de 1 m) et IP69K (eau à haute pression, nettoyage au jet de vapeur) selon DIN EN 60529. De ce fait, le capteur peut être soumis à un nettoyage humide. Le capteur doit toutefois être protégé contre une présence permanente d'humidité.

7 CARACTÉRISTIQUES TECHNIQUES



Information

Pour plus d'informations, consultez www.hbm.com/de/pw.

8 DIMENSIONS

