

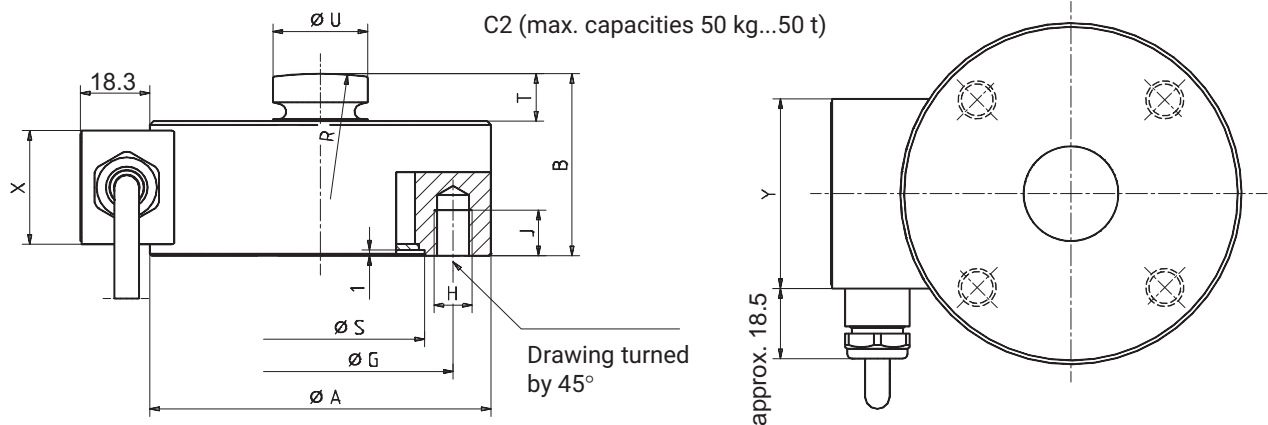
C2... Load cells

SPECIAL FEATURES

- Load cells made of stainless materials
- Max. capacities: 50 kg ... 50 t
- Small deflection
- High permissible dynamic load
- Six-wire circuit
- Low profile
- Explosion proof version (optional)



DIMENSIONS



Dimensions in mm; (mm= 0.03937 inches)

Max. cap. [t]	ØA _{0.2}	B	ØG	H	J	R	ØSH ⁸	T	ØU	X	Y
0.05...1	50	30	42	4xM5	7	60	34	7	13	20	35
2 and 5	90	48	70	4xM10	12	100	55	12.5	25	30	50
10 and 20	115	60	90	4xM12	16	160	68	12.5	32	30	50
50	155	90	125	4xM16	20	300	97	15.5	44	30	50

SPECIFICATIONS

Type			C2	
Accuracy class			0.2	0.1
Max. capacity		kg t	50 -	100, 200, 500 1, 2, 5, 10, 20, 50
Sensitivity	C_n	mV/V	2	
Tolerance on sensitivity		%	<±0.20	
Temperature effect on sensitivity	TK_C	%/10 K	<±0.05 <±0.10	
In the nominal temperature range				
In the service temperature range		%/10 K	<±0.10	
Temperature effect on zero balance	TK_0	%/10 K	<±0.05 <±0.10	
In the nominal temperature range				
In the service temperature range		%/10 K	<±0.10	
Hysteresis error	d_{hy}	%	<±0.15	
Non-linearity	d_{lin}	%	<±0.20	<±0.10
Creep over 30 min.	d_{DR}	%	<±0.06	
Input resistance	R_{LC}	Ω	340 ... 550	
Output resistance	R_0	Ω	356 ±0.2 (for cable lengths < 12 m) 358 ±0.2 (for cable lengths = 12 m) 359 ±0.2 (for cable lengths = 20 m)	
Reference excitation voltage	U_{ref}	V	5	
Nominal range of excitation voltage	B_U	V	0.5...10	0.5...12
Max. permissible excitation voltage		V	12	18
Insulation resistance	R_{is}	GΩ	>5	
Nominal temperature range	B_T	°C [°F]	-10...+40 [14...104]	
Operating temperature range	B_{tu}	°C [°F]	-30...+85 [-22...185] (-30...+120) [-22...248] ¹⁾	
Storage temperature range	B_{tl}	°C [°F]	-50...+85 [-58...185]	
Safe load limit	E_L	% of rated capacity	130	150
Breaking load	E_d		300	
Rel. static lateral load limit	E_{lq}		50	
Permissible dynamic load (peak to peak acc. to DIN 50100)	F_{srel}		100	
Degree of protection class (IP) to EN 60 529 (IEC 529)			IP 67	
Material			Stainless steel ²⁾	
Measuring body			Stainless steel ²⁾	
Cable gland			Nickel plated brass, Silicone	
Cable sheath			Thermoplastic elastomer	

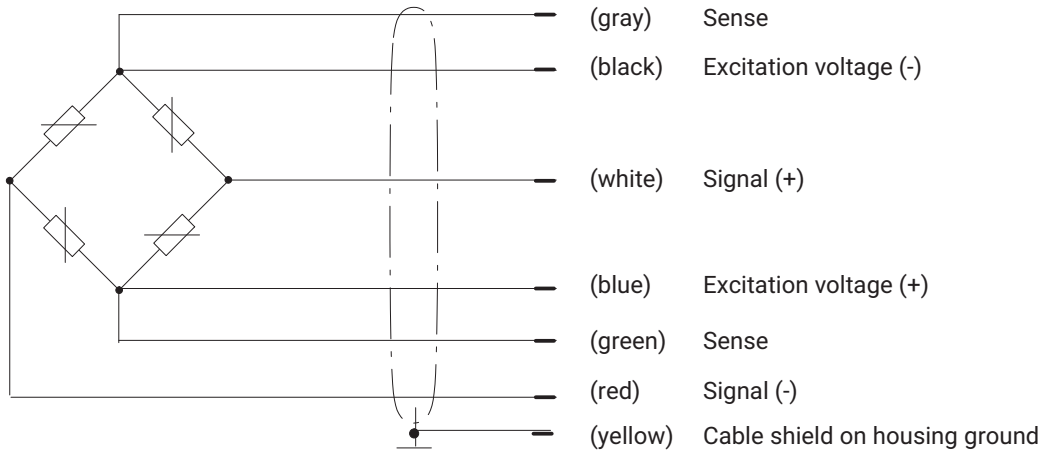
¹⁾ Optionally available with extended operating temperature range, not for Explosion-proof versions

²⁾ According to EN 10088-1

MECHANICAL VALUES

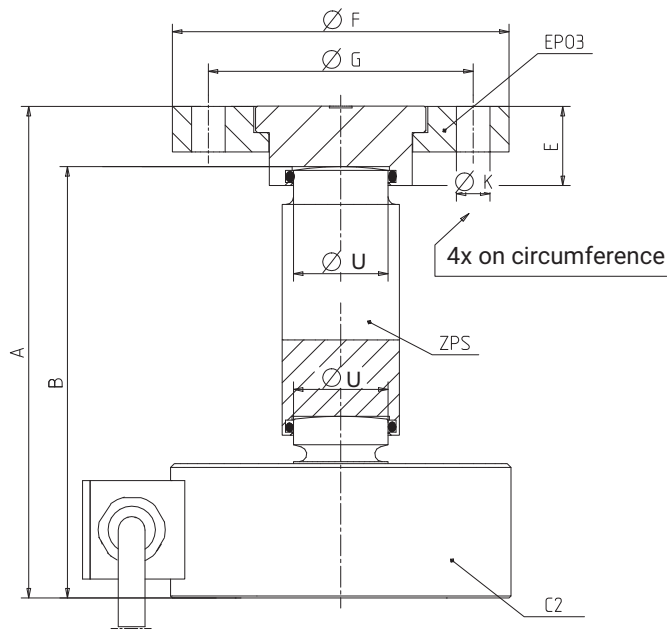
Max. capacity [t]	Deflection at max. capacity (s_{nom}) [mm], approx.	Weight (G), approx. [kg]	Cable length [m]
0.05	< 0.1	0.4	3
0.1	< 0.1	0.4	3
0.2	< 0.1	0.4	3
0.5	< 0.1	0.4	3
1	< 0.1	0.4	3
2	< 0.06	1.8	6
5	< 0.06	1.8	6
10	< 0.06	3	12
20	< 0.06	3	12
50	< 0.1	8.6	12

WIRING CODE



MOUNTING ACCESSORIES

ZPS¹⁾ Pendle bearing support and EPO3/EPO3R¹⁾; Pendle bearing above



Sperm.: Max. permissible lateral displacement [mm] with rated load

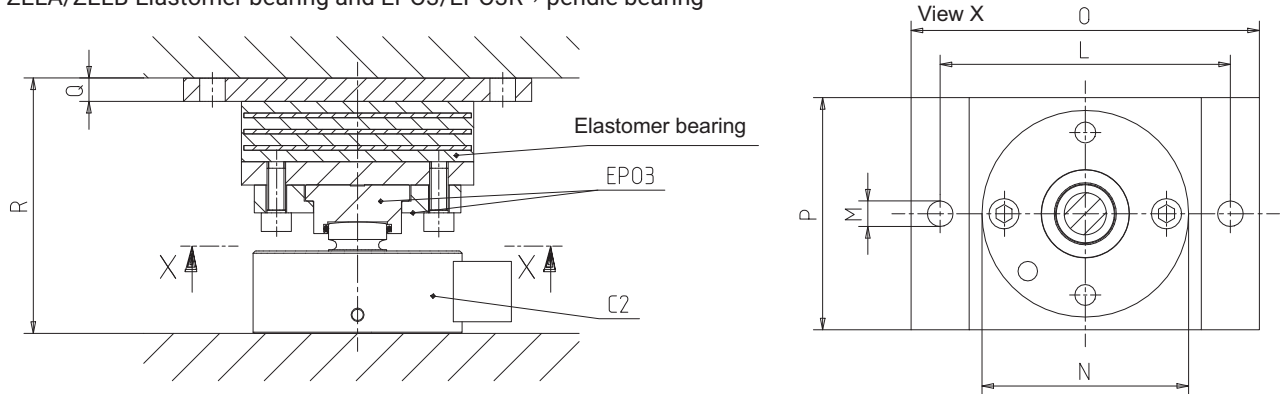
F_R: Restoring force [% of load applied] with a lateral displacement of 1mm

Max. capac.	Pendle bearing support ¹⁾	Pendle bearing above ¹⁾	A	B	E	ØF	ØG	ØU	ØK	S _{perm.}	F _R
50 kg...1 t	1-ZPS13/44	1-EPO3/200 kg	90	74	21	89	70	13	9	±3	2.4
2 and 5 t	1-ZPS25/66	1-EPO3R/5 t	130	114	21	89	70	25	9	±5	2.6
10 and 20 t	1-ZPS32/115	1-EPO3R/20 t	195	175	27.5	110	90	32	13	±9	1.2
50 t	1-ZPS44/150	1-EPO3/50 t	280	239.5	50	147	120	44	17	±10	1.5

¹⁾ ZPS Pendle bearing support, EPO3R and EPO3/200 kg Pendle bearings above are made from stainless steel.

MOUNTING ACCESSORIES (CONTINUED)

ZELA/ZELB Elastomer bearing and EPO3/EPO3R¹⁾ pendle bearing



Sperm.: Max. permissible lateral displacement [mm] with rated load
 F_R : Restoring force [N] with a lateral displacement of 1mm

Max. capac. [t]	Elastomer bearing ¹⁾	Pendle bearing ¹⁾	L	M	N	O	P	Q	R	S _{perm.}	F _R
0.5 and 1	1-ZELB/2 t	1-EPO3/200 kg	100	9	89	120	60	10	85.5	±4.5	400
2	1-ZELB/2 t	1-EPO3R/5 t	100	9	89	120	60	10	103	±4.5	400
5	1-ZELB/5 t	1-EPO3R/5 t	125	11	89	150	100	10	110	±8	620
10	1-ZELB/10 t	1-EPO3R/20 t	175	13	110	200	100	12	135	±9.5	810
20	1-ZELA/20 t	1-EPO3R/20 t	230	13	110	260	150	12	142	±15	1400
50	1-ZELA/50 t	1-EPO3/50 t	335	17	148	370	200	15	200	±10.5	2300

1) ZELB Elastomer bearing, EPO3R/... and EPO3/200 kg Pendle bearings are made from stainless steel.

ACCESSORIES, TO BE ORDERED SEPARATELY

- ZPS Pendle bearing support and EPO3/EPO3R Pendle bearing
- ZELA/ZELB Elastomer bearing and EPO3/EPO3R Pendle bearing
- EEK Grounding cable

PRODUCT NUMBERS

Type	C2	
Accuracy class	0.20%	0.10%
Maximum capacity	Ordering number	Ordering number
50 kg	1-C2/50KG	-
100 kg	-	1-C2/100KG
200 kg	-	1-C2/200KG
500 kg	-	1-C2/500KG
1 t	-	1-C2/1T
2 t	-	1-C2/2T
5 t	-	1-C2/5T
10 t	-	1-C2/10T
20 t	-	1-C2/20T
50 t	-	1-C2/50T

Ordering number		
K-C2_		
1	Code	Option 1: Mechanical design
	S	Standard
2	Code	Option 2: Accuracy class
	S	Standard
3	Code	Option 3: Maximum capacity
	50	50 kg
	100	100 kg
	200	200 kg
	500	500 kg
	1	1 t
	2	2 t
	5	5 t
	10	10 t
	20	20 t
50T	50 t	
4	Code	Option 4: Explosion protection
	N	No explosion protection
	A11/21	ATEX+IECEX+FM Zone 1/21, intrinsically safe; ATEX/IECEX: II 2G Ex ia IIC T6/T4 Gb + II 2D Ex ia IIIC T125°C Db; FM(US/CA): Class I Zone 1 AEx/Ex ia IIC T4 Gb + Zone 21 AEx/Ex ia IIIC T125°C Db FM(US): Class I, II, III Division 1, Groups A, B, C, D, E, F, G T4 [only with option 6 = N]
	A12/21	ATEX+IECEX Zone 2/21, not intrinsically safe; ATEX/IECEX: II 3G Ex ec IIC T6/T4 Gc + II 2D Ex tb IIIC T125°C Db [only with option 6 = N]
5	Code	Option 5: Cable length
	S3	3 m (standard) [only with option 3 = 50 / 100 / 200 / 500 / 1]
	S6	6 m (standard) [only with option 3 = 2 / 5]
	S12	12 m (standard) [only with option 3 = 10 / 20 / 50T]
	6	6 m [only with option 3 = 50 / 100 / 200 / 500 / 1]
	12	12 m [only with option 3 = 50 / 100 / 200 / 500 / 1 / 2 / 5]
20	20 m	
6	Code	Option 6: Operating temperature
	N	Standard
	120	Operating temperature up to 120°C [only with option 4 = N + not with option 3 = 50]

K-C2	-	<input type="text"/>	-	<input type="text"/>	-	<input type="text"/>	-	<input type="text"/>	-	<input type="text"/>	-	<input type="text"/>
		1		2		3		4		5		6

Not all codes can be combined with one another. Take note of the conditions in square brackets!