

DATA SHEET

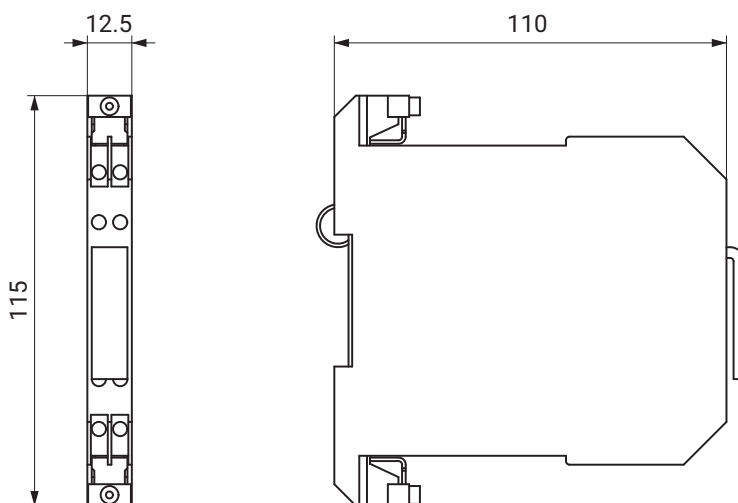
# SB01A Safety barriers

## SPECIAL FEATURES

- Three optimized safety barriers for intrinsically safe installation of SG-based sensors
- Intrinsic safety of the interconnection of the load cells confirmed by the conformity statement ExGuide 16 ATEX 0001 (Edition 3)
- Certification of barriers:
  - BAS 01 ATEX 7005,
  - IECEX BAS 09.0142,
  - IECEX BAS 17.0091X,
  - CML 21UKEX2898,
  - China SITIIAS CCC Ex Certificate,
  - India PESO (India) CCOE,
  - South Africa MASC,
  - Brasil TUV Rheinland Brazil
- ATEX/IECEX markings:
  - Ex II (1)G [Ex ia Ga] IIC
  - Ex II (1)D [Ex ia Da] IIIC
  - Ex I M1 [Ex ia Ma] I
  - Ex ec IIC T4 Gc
- Suitable for HBK amplifiers DSE-HIE, AD103C

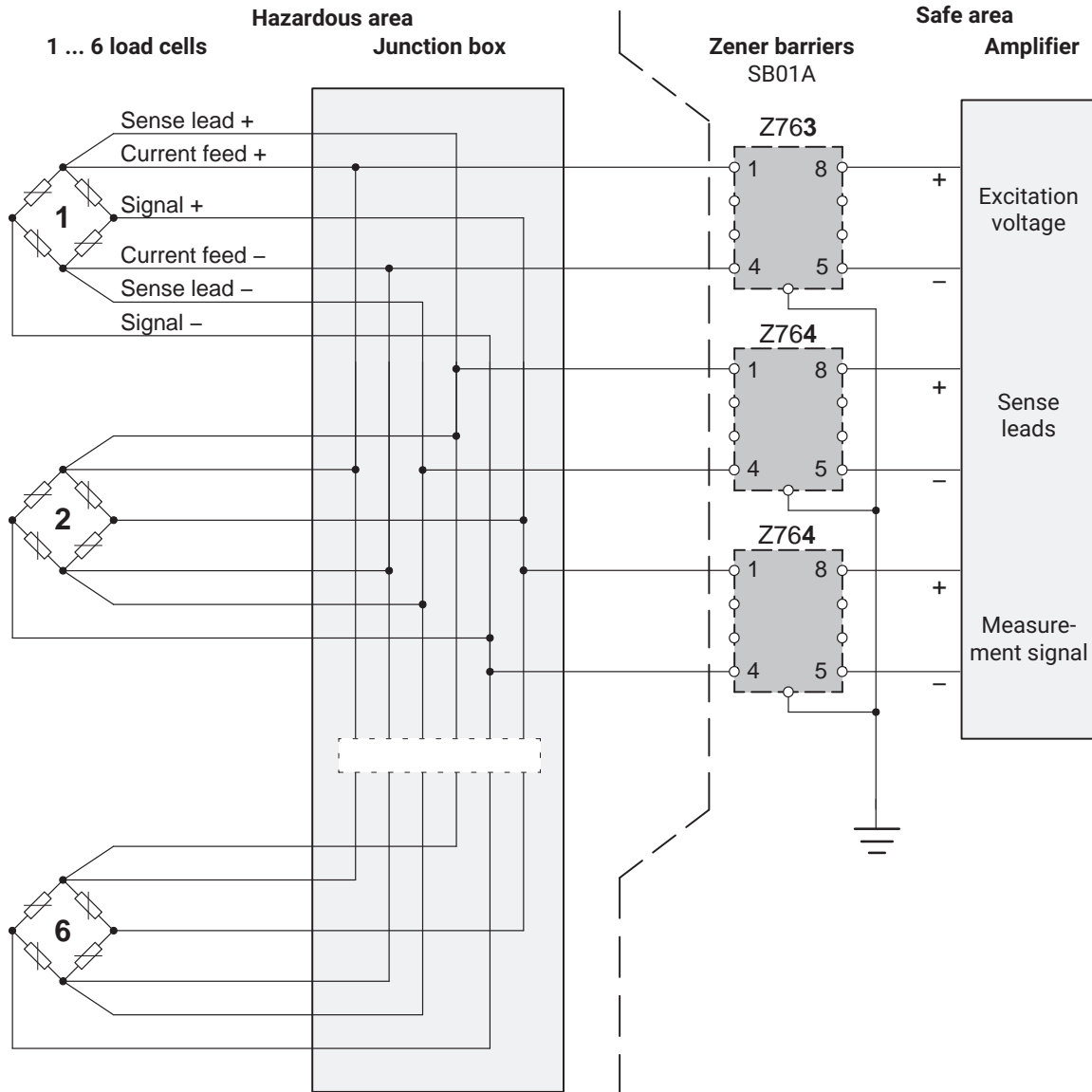


## DIMENSIONS



Dimensions in mm (1 mm = 0.03937 inches)

## SPECIFICATIONS



Which device variants and which sensor excitation are precisely suitable can be found in the data sheets of the devices.

The maximum sensor cable lengths relate to the sensor cable and if available, the connection cable between the junction box of the sensors and the Zener barriers.

Approved cable types for the connection cable between junction box and Zener barriers:

- HBM: KAB7.5/00-2/2/2 (order no.: 1-CABE2/20, 1-CABE2/100) LF-ZYAECVY 3x2x0.14mm<sup>2</sup>
- LAPP: Li2YCYPMF 3x2x0.5mm<sup>2</sup>

### Hottinger Brüel & Kjaer GmbH

Im Tiefen See 45 · 64293 Darmstadt · Germany  
 Tel. +49 6151 803-0 · Fax +49 6151 803-9100  
 www.hbkworld.com · info@hbkworl.com

Subject to modifications. All product descriptions are for general information only. They are not to be understood as a guarantee of quality or durability.