

DATA SHEET

# VKK2R-8 Junction box

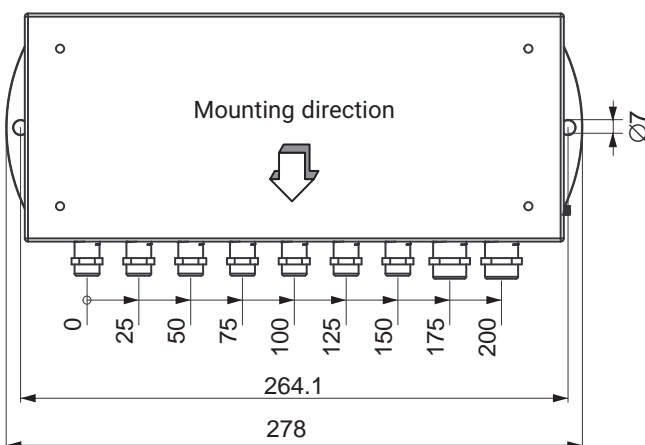
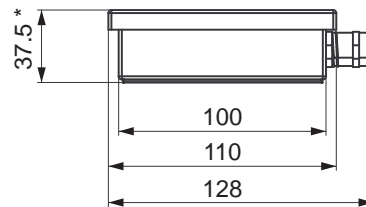
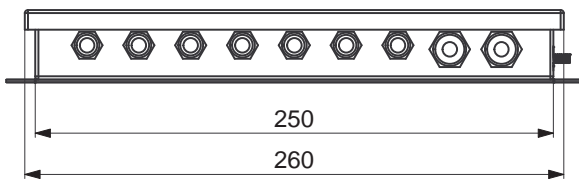
## SPECIAL FEATURES

- Parallel connection of up to 8 load cells
- Corner balancing via integrated resistor network
- HBM shielding method Green-Line
- Degree of protection IP65 to EN 60 529
- With stainless housing

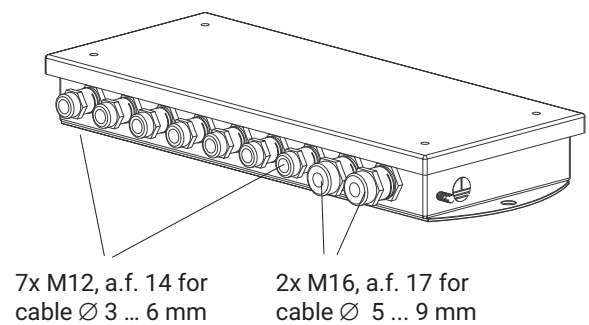


## DIMENSIONS

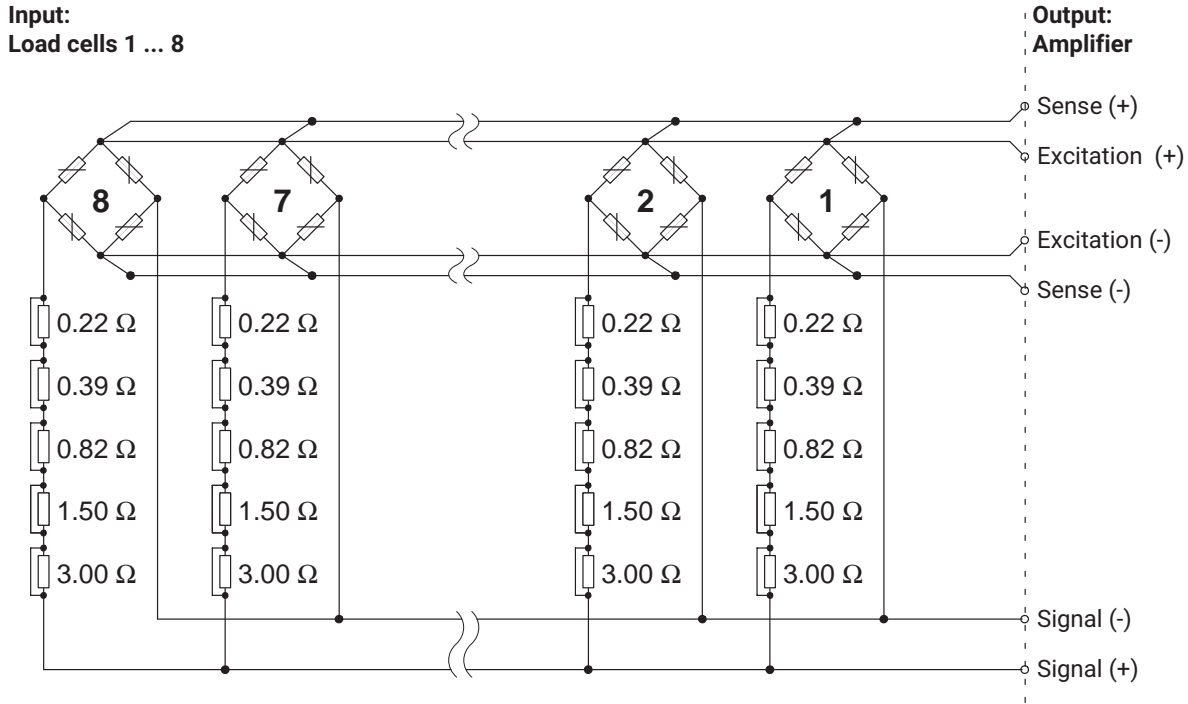
Dimensions (in mm; 1 mm= 0.03937 inches)



\* with rubber seal (mounted state)



# CORNER LOAD BALANCING



## SPECIFICATIONS

Type		VKK2R-8
Resistor network for corner load balancing	Ω	0.22...5.93 (in 30 steps)
Max. permissible voltage	V	18
Nominal temperature range		-20...+85
Operating temperature range	°C	-20...+85
Storage temperature range		-40...+85
Weight, approx.	kg	1
Max. wire cross section of cable strands	mm <sup>2</sup>	1.5
Degree of protection according to EN 60529 (IEC 529)		IP65 (protected against water jets)
<b>Materials</b>		
Housing		stainless steel 1.4301
Sleeve nut		7 pcs. M12 for cable Ø 3...6 mm; 2 pcs. M16 for cable Ø 5...9 mm; nickel-plated brass
Clamping cone		Neoprene
Screws		steel 1.4301
<b>Tightening torques ( max.)</b>		
PG seal	Nm	3 (M12x1.5), 3 (M16x1.5)
Cover screws		0.7

**Hottinger Brüel & Kjaer GmbH**  
 Im Tiefen See 45 · 64293 Darmstadt · Germany  
 Tel. +49 6151 803-0 · Fax +49 6151 803-9100  
 www.hbkworld.com · info@hbkworl.com

Subject to modifications. All product descriptions are for general information only. They are not to be understood as a guarantee of quality or durability.