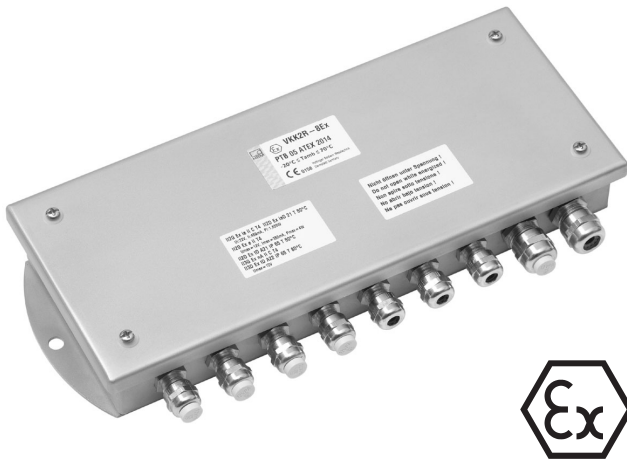


VKK2R-8 Ex

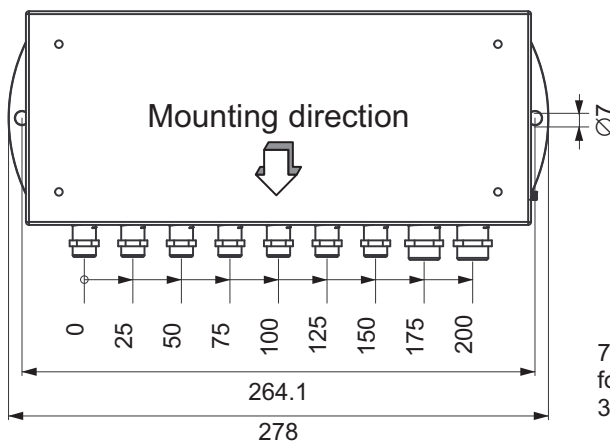
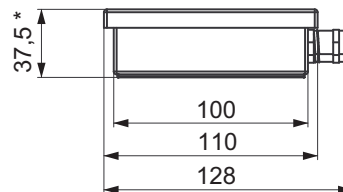
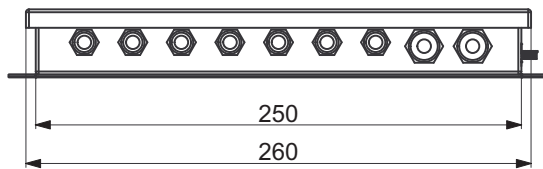
Junction box

Special features

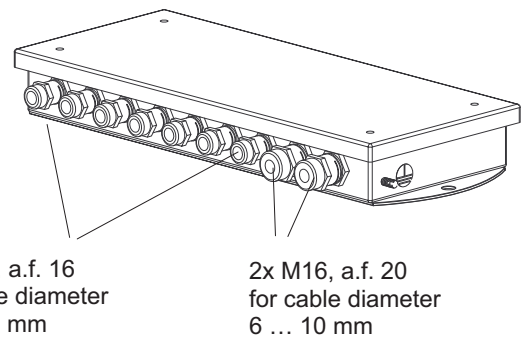
- EC-type examination certificate PTB 05 ATEX 2014
- Parallel connection of up to 8 load cells for use in potentially explosive atmospheres:
Zone 1, 2 and 21, 22
- Corner balancing via integrated resistor network
- Housing in stainless steel



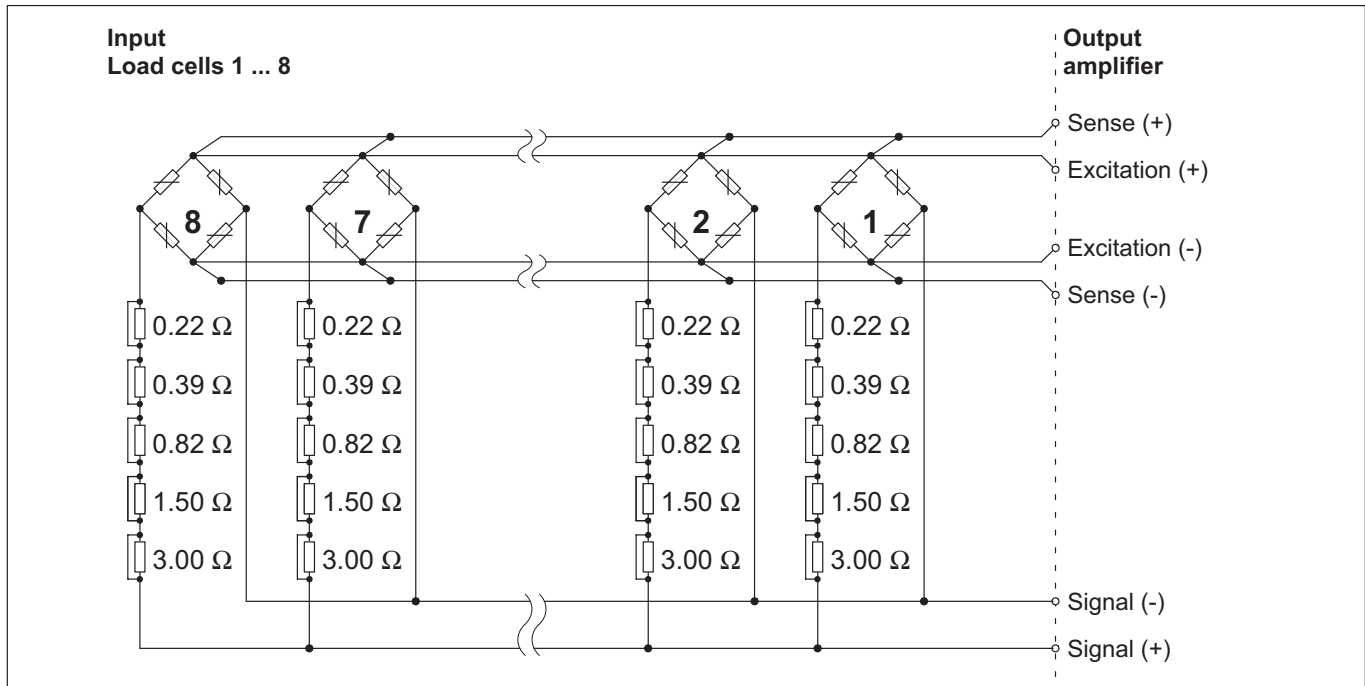
Dimensions (in mm; 1 mm = 0.03937 inches)



* with rubber sealing (mounted state)



Corner load balancing



Specifications

Type		VKK2R-8 Ex Zone 1, 2; 21; 22
Max. permissible voltage	V	22
Designation		II 2 G Ex ia IIC T4 Gb (zone 1) II 2 D Ex ia IIIC T125°C Db (zone 21) II 2 G Ex eb IIC T4 Gb (zone 1) II 2 D Ex tb IIIC T125°C Db (zone 21)
Resistor network for corner load balancing	Ω	0.22...5.93 (in 31 steps)
Nominal temperature range		-20...+70 [-4...+158]
Operating temperature range	°C [°F]	-20...+70 [-4...+158]
Storage temperature range		-40...+85 [-40...185]
Weight, approx.	kg	1
Max. wire cross section of cable strands	mm ²	1.5
Degree of protection according to EN 60529 (IEC 529)		IP65 (dust-tight and protected against water jets)
Materials		
Housing		stainless steel, 1.4301
Ex screwed cable gland		
Sleeve nut		7 x M12, 2 x M16; nickel-plated brass
Clamping cone		Polyamide PA6 for cable Ø 3 ... 6.5 mm with M12 x 1.5 for cable Ø 6 ... 10 mm with M16 x 1.5
Screws		Steel 1.4301
Tightening torques (max.)		
PG seal	Nm	3 (M12x1.5), 3 (M16x1.5)
Cover screws		0.7

Subject to modifications.
All product descriptions are for general information only. They are not to be understood as a guarantee of quality or durability.

Hottinger Brüel & Kjaer GmbH
Im Tiefen See 45 · 64293 Darmstadt · Germany
Tel. +49 6151 803-0 · Fax +49 6151 803-9100
Email: info@hbm.com · www.hbm.com

measure and predict with confidence

