

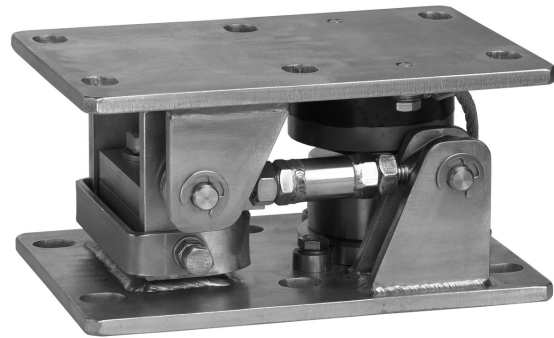
DATA SHEET

RTN/M2(L)A

Weighing module for RTN load cells 1 t ... 33 t

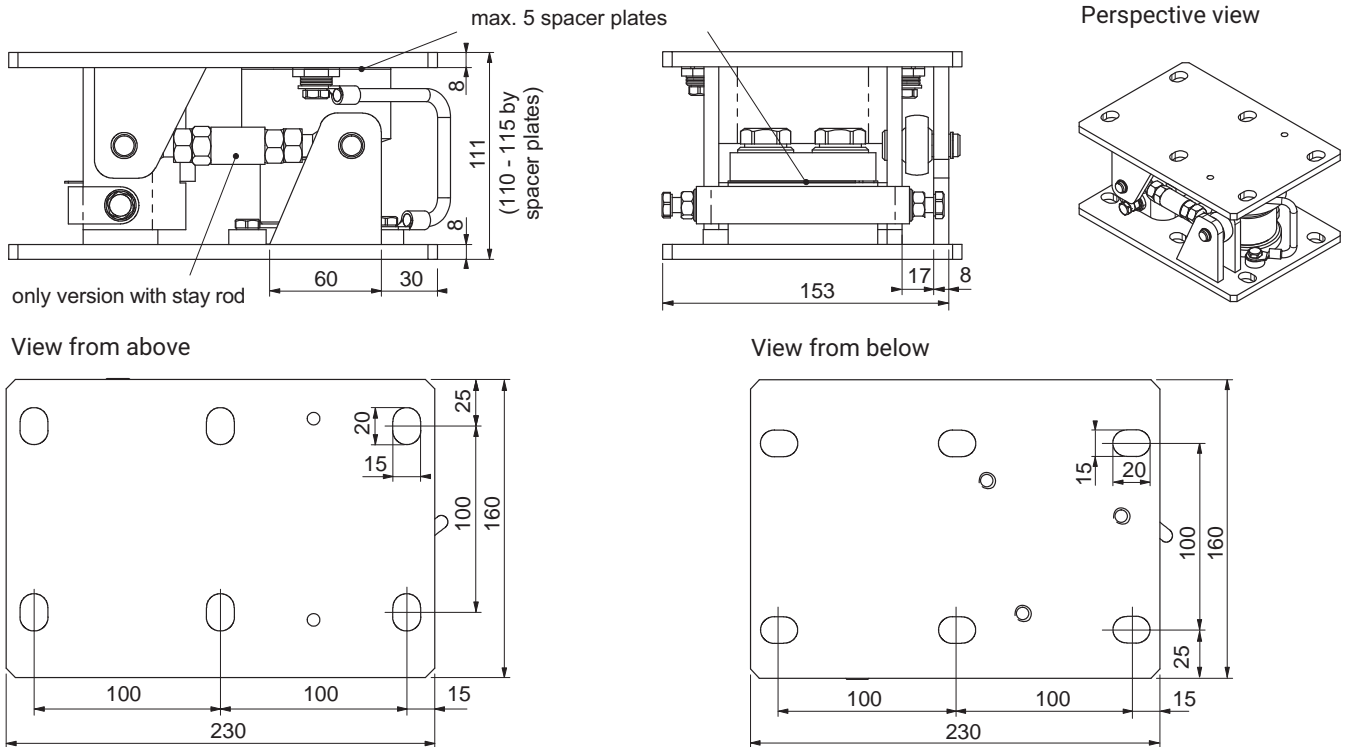
SPECIAL FEATURES

- Compact design
- Equipped with rubber-metal bearing
- Integrated anti-liftoff device
- Integrated horizontal stops
- Dummy function
- Material: stainless steel until 22 t
- With stay rod (" also available without stay rod)



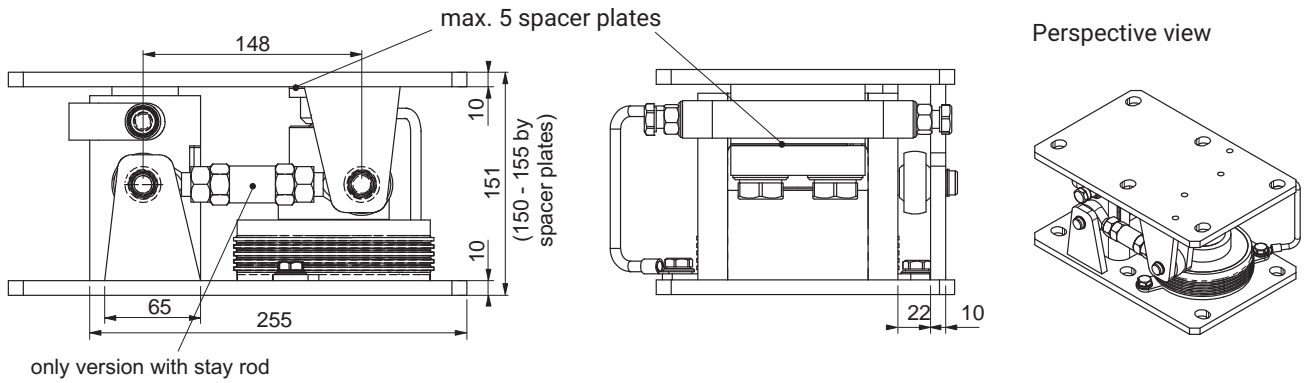
DIMENSIONS

Max. capacity 1 t ... 4.7 t

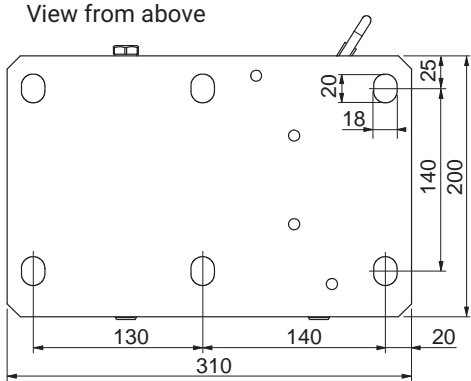


DIMENSIONS (IN MM; 1 MM= 0.03937 INCHES)

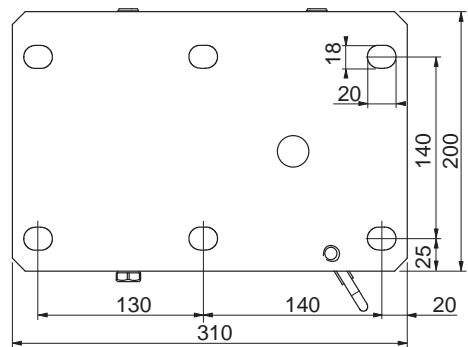
Max. capacity 10 t ... 22 t



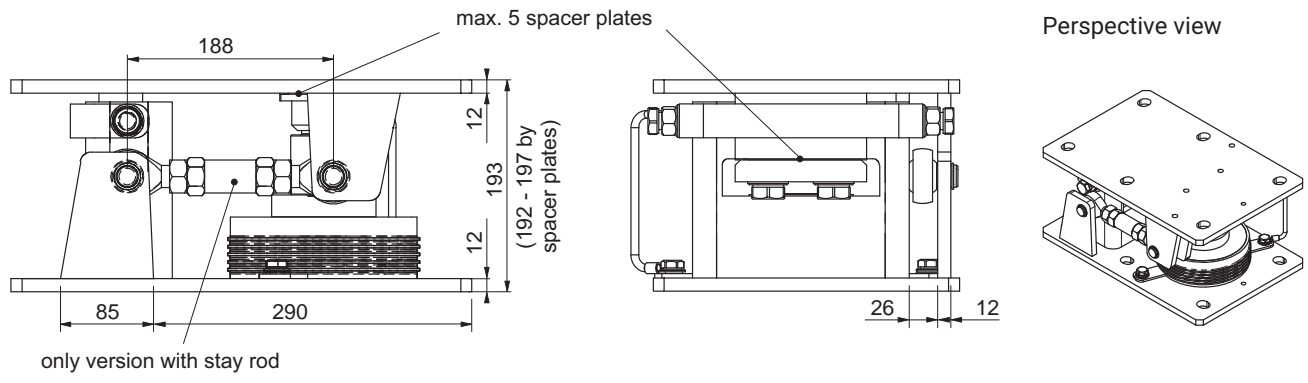
View from above



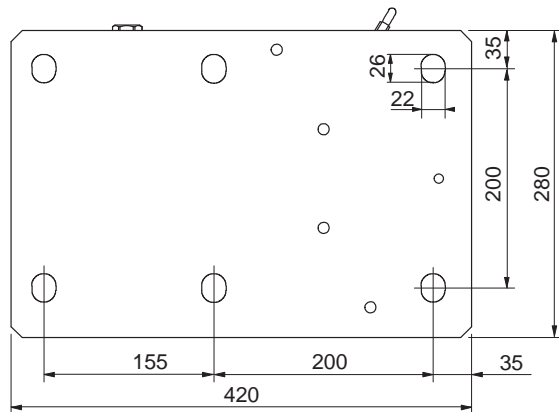
View from below



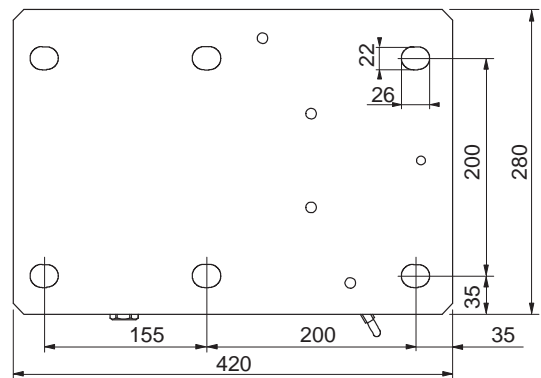
Max. capacity 33 t



View from above



View from below



SPECIFICATIONS

Type		RTN/M2LAR2.2T		RTN/M2LAR4.7T	RTN/M2LAR22T			RTN/M2LA33T
		1	2.2	4.7	10	15	22	33
Max. capacity (E_{max}) of the load cell	t							
Limit load	% of E_{max}	150						
Max. permissible loading of horizontal stops transverse to stay rod axis		10						
Restoring force for 1 mm horizontal shift	kN	0.24		0.42		1.4		1.7
Max. permissible horizontal shift transverse to stay rod axis	mm	±2			±6			
Vertical displacement at max. capacity	mm	<0.8			<0.5		<0.9	
Max. permissible lifting force ¹⁾	kN	20			50		30	
Max. permissible horizontal force in stay rod axis ¹⁾	kN	10			30		50	
Material: Metall parts Rubber-metal bearing		Stainless steel ²⁾						Galvanized
		Neoprene (Chlorbutadien caoutchouc)						
Weight (with dummy), approx.	kg	10.5			21.5		44.5	
Min. lifting height for installing the load cell	mm	10						
Height adjustment (spacer plates in scope of delivery)	mm	5						

1) These specifications are based on DIN 18800

2) According to EN 10088-1

PRODUCT TYPES

Order number	Max. capacity for load cell	Material	Version
1-RTN/M2LAR2.2T	1 t ... 2.2 t	stainless steel	WITH stay rod
1-RTN/M2AR2.2T			WITHOUT stay rod
1-RTN/M2LAR4.7T	4.7 t	stainless steel	WITH stay rod
1-RTN/M2AR4.7T			WITHOUT stay rod
1-RTN/M2LAR22T	10 t ... 22 t	stainless steel	WITH stay rod
1-RTN/M2AR22T			WITHOUT stay rod
1-RTN/M2LA33T	33 t	galvanized	WITH stay rod
1-RTN/M2A33T			WITHOUT stay rod

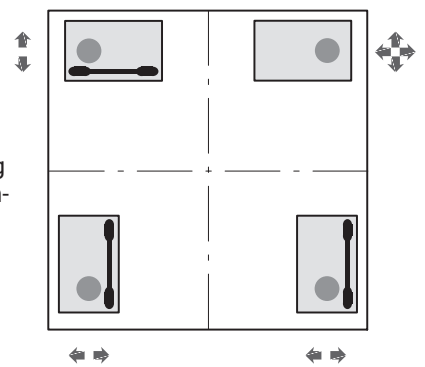
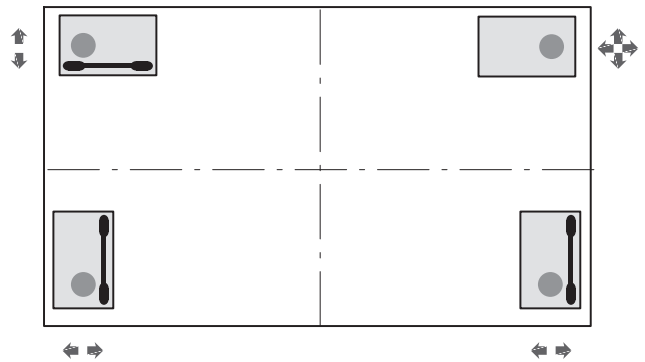
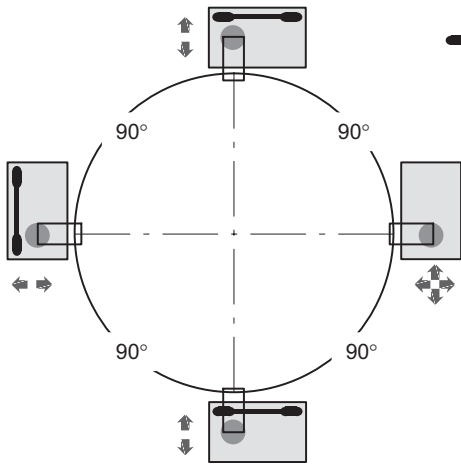
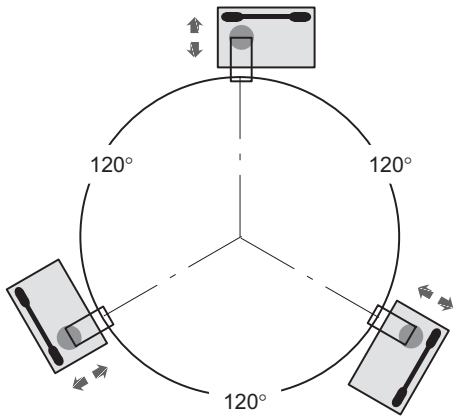
SCOPE OF SUPPLY

Weighing module complete mounted with stay rod (without RTN load cell).

Attention: Instead of the load cell, a dummy is installed, which is able to support the load up to the specified values above. Please take care you have to lift the tank in mounted condition min. 10 mm to change the dummy to the RTN load cell.

For additional information on the appropriate load cells, please refer to our data sheet RTN.

MOUNTING EXAMPLES OF WEIGHING MODULES WITH STAY RODS



— Stay rod

● Load introduction

⇒ Degree of freedom

Attention: The represented bearing arrangements consider only weighing-technical criteria. The carrying and stability must be examined and guaranteed in each case by the operator.