

DATA SHEET

VKD2R-8 Junction box

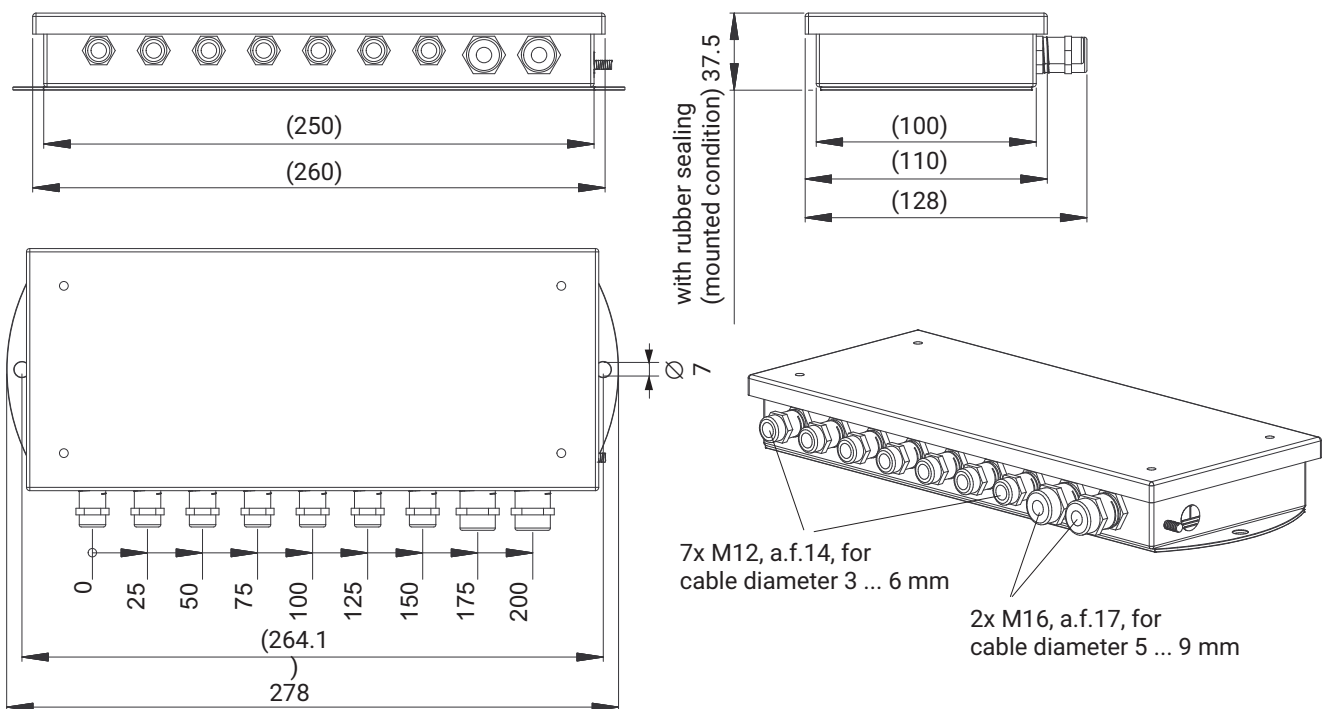
SPECIAL FEATURES

- Connection of the RS-485 / RS-4222 serial interfaces with 2-wire or 4-wire bus
- Connection of up to eight digital HBM transducers and electronic units
- Active bus termination
- EMC-tested
- Degree of protection IP65



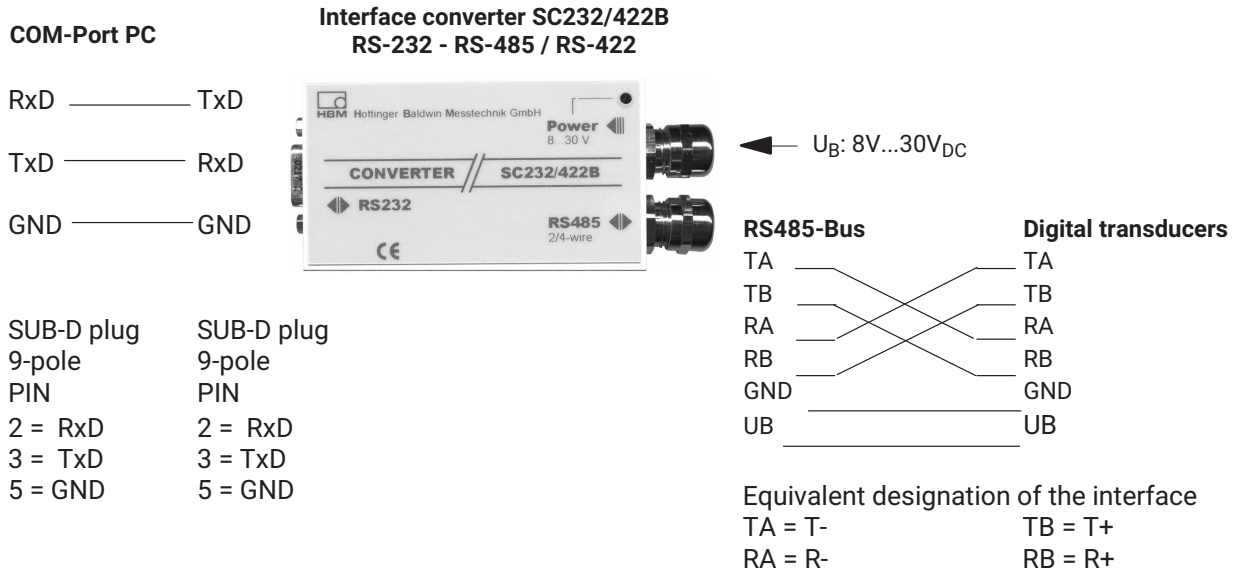
DIMENSIONS

Dimensions (in mm; 1 mm= 0.03937 inches)



CONNECTION OF A DIGITAL TRANSDUCER / AMPLIFIER (RS-485-4-WIRE)

Connection to computer via interface converter



SPECIFICATIONS

Type Bus		VKD2R-8 RS-485 / RS-422	
Cable length (entire bus)	m	≤1000	
Connectable HBK-Products Digital transducers Digitale transducer electronics Digitale meas. chains with transducer electronics Weighing electronics		4-wire bus C16i, FIT® AED9101D, AED9201A PAD-RS485, AD112-RS485 WTX110-D	2-wire bus AD105D
Supply (for active bus termination) Operating voltage ¹⁾ (DC) Currant consumption VKK (only bus termination)	V mA	6 ... 15... 30 ≤ 30	
Temperature ranges Nominal temperature range Service temperature range Storage temperature range	°C [°F] °C [°F] °C [°F]	-10...+60 [14...140] -20...+70 [-4...158] -40...+85 [-40...185]	
Material Housing Sleeve-nut Clamping cone Screws		Stainless steel, 1.4301 7 pieces M12 for cable Ø 3...6 mm; M16 for cable Ø 5...9 mm Nickel-plated brass Neoprene Steel 1.4301	
Tightening torques (max.) PG seal Cover screws	Nm	3 (M12x1.5), 3 (M16x1.5) 0.7	
Weight, approx.	g	800	
Degree of protection to EN60529 (IEC529)		IP65 (protected against water jets)	

¹⁾ Depending on the connected transducer / amplifier / interface converter

Hottinger Brüel & Kjaer GmbH

Im Tiefen See 45 · 64293 Darmstadt · Germany
Tel. +49 6151 803-0 · Fax +49 6151 803-9100
www.hbkworld.com · info@hbkworl.com

Subject to modifications. All product descriptions are for general information only. They are not to be understood as a guarantee of quality or durability.