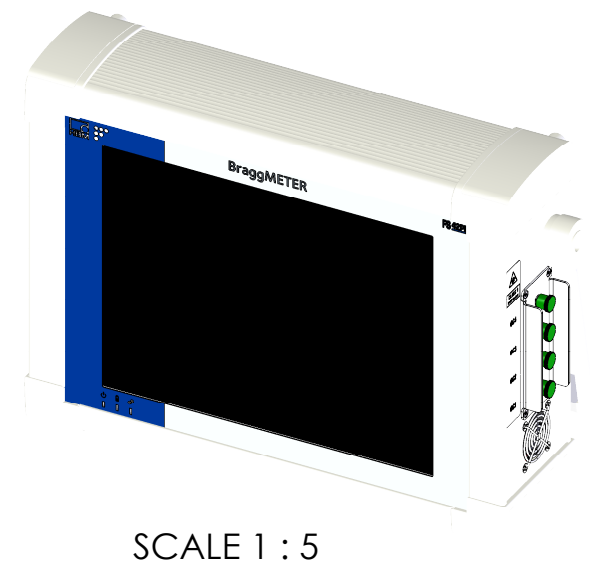
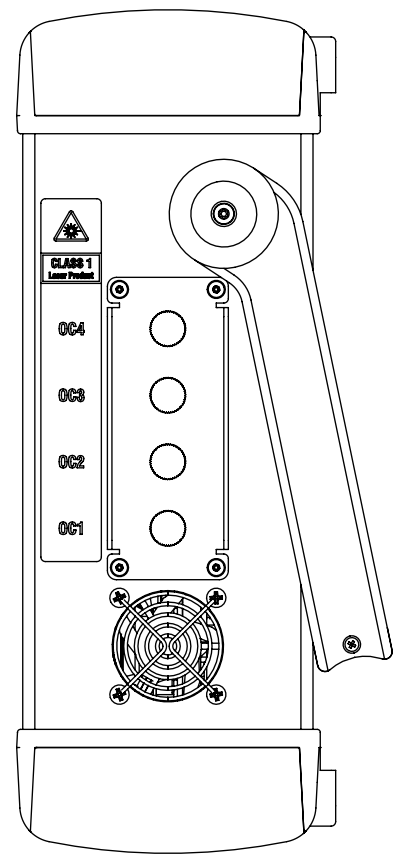
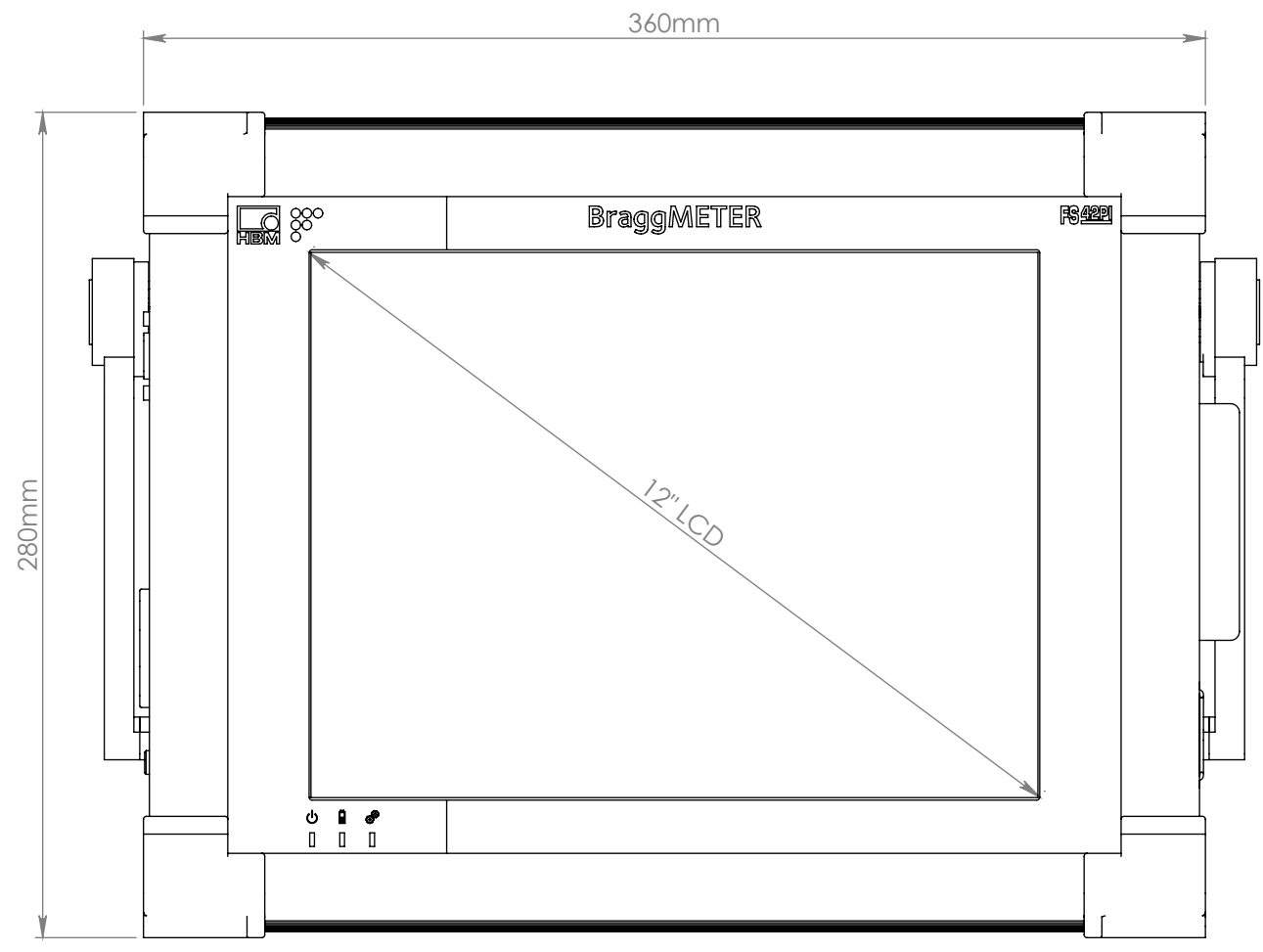
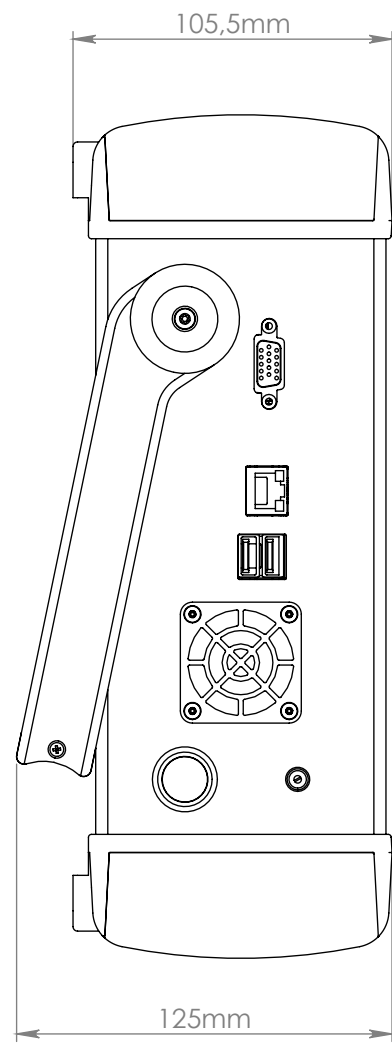


8 7 6 5 4 3 2 1

D
C
B
A

D
C
B
A



ALL DIMENSIONS ARE METRIC UNLESS OTHERWISE SPECIFIED

TOLERANCES UNLESS OTHERWISE SPECIFIED

METRIC .XX ± .2

ANGULAR X° ± 1°

PROPRIETARY AND CONFIDENTIAL

THE INFORMATION CONTAINED IN THIS DRAWING IS THE SOLE PROPERTY OF HBM FIBERSENSING, S.A. ANY USE OR REPRODUCTION WITHOUT THE WRITTEN PERMISSION OF HBM FIBERSENSING, S.A. IS PROHIBITED.

		Rua Vasconcelos Costa, 277 4470-640 Maia Portugal Tel: (+351) 22 961 30 10 Fax: (+351) 22 961 30 20		
		DESIGN BY M Girao	DATE 13-02-2019	ASM NAME FS42PI – Portable BraggMETER
SIZE B	SHEET 1 OF 1	ASM NUMBER 1-FS42PI-4FC	VER 4.0	SCALE 1:2.5

8 7 6 5 4 3 2 1