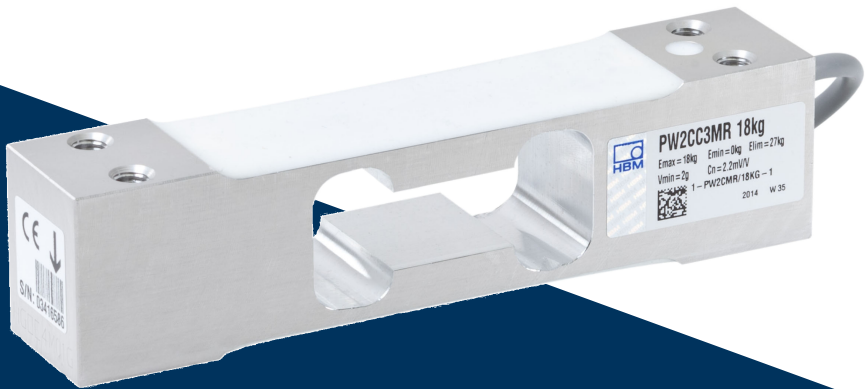


ENGLISH DEUTSCH FRANÇAIS

Mounting Instructions Montageanleitung Notice de montage



PW2C

Hottinger Brüel & Kjaer GmbH
Im Tiefen See 45
D-64293 Darmstadt
Tel. +49 6151 803-0
Fax +49 6151 803-9100
info@hbkworld.com
www.hbkworld.com

Mat.: 7-2001.2431
DVS: A02431 01 Y00 02
06.2023

© Hottinger Brüel & Kjaer GmbH

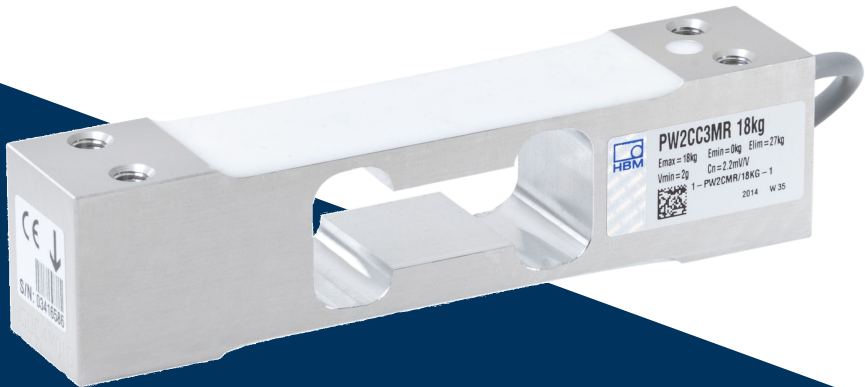
Subject to modifications.
All product descriptions are for general information only. They are not to be understood as a guarantee of quality or durability.

Änderungen vorbehalten.
Alle Angaben beschreiben unsere Produkte in allgemeiner Form. Sie stellen keine Beschaffenheits- oder Haltbarkeitsgarantie dar.

Sous réserve de modifications.
Les caractéristiques indiquées ne décrivent nos produits que sous une forme générale. Elles n'impliquent aucune garantie de qualité ou de durabilité.

ENGLISH DEUTSCH FRANÇAIS

Mounting Instructions



PW2C

TABLE OF CONTENTS

1	Safety instructions	3
2	Markings used	5
2.1	The marking used in this document	5
2.2	The marking used on the product	5
3	Mounting and Load application	6
4	Electrical connection	7
4.1	Connecting in four-wire and six-wire configurations	7
4.2	Shortening the cable	8
4.3	Cable extensions	8
4.4	Parallel connection (option)	8
4.5	EMC protection	9
5	Specifications	10
6	Dimensions	13

1 SAFETY INSTRUCTIONS

In cases where a breakage would cause injury to persons or damage to equipment, the user must take appropriate safety measures (such as safety devices to protect against falls, collapses or overloads). For safe and trouble-free operation, load cells must not only be correctly transported, stored, sited and mounted but must also be carefully operated and maintained.

It is essential to comply with the relevant accident prevention regulations. In particular you should take into account the limit loads quoted in the specifications.

Appropriate use

Load cells are designed for metrological applications. Use for any additional purpose shall be deemed to be **not** appropriate.

In the interests of safety, load cells should only be operated as described in the Mounting Instructions. It is also essential to comply with the legal and safety requirements for the application concerned during use. The same applies to the use of accessories.

Load cells can be used as machine elements (for container and silo weighing, for example). In these situations, you must make sure that for greater sensitivity, the load cells are not constructed with the customary safety factors found in machine design. Load cells are not safety elements within the meaning of appropriate use. The layout of the electronics conditioning the measurement signal should be such that measurement signal failure does not cause damage.

General dangers of failing to follow the safety instructions

Load cells are state-of-the-art and reliable. Load cells can give rise to remaining dangers if they are inappropriately installed and operated by untrained personnel.

Everyone involved with siting, starting up, maintaining or repairing a load cell must have read and understood the Mounting Instructions and in particular the technical safety instructions.

Remaining dangers

The scope of supply and performance of the load cells covers only a small area of weighing technology. In addition, equipment planners, installers and operators should plan, implement and respond to the safety engineering considerations of the weighing technology in such a way as to minimize remaining dangers. Prevailing regulations must be complied with at all times. Reference must be made to the remaining dangers associated with the weighing technology.

Ambient conditions

In the context of your application, please note that because of the alloy elements used, the high-strength aluminum alloy only has limited corrosion resistance if it comes into contact with electrolytes or if there are high and low pH values. With stainless steel single point load cells, please note that acids and all materials which release ions will also attack all grades of stainless steel and their welded seams.

Should there be any corrosion, this could cause the load cell to fail. If this is the case, the operator must take appropriate protective measures.

Unauthorized conversions and modifications are prohibited

Load cells must not be modified from the design or safety engineering point of view except with our express agreement. Any modification shall exclude all liability on our part for any damage resulting therefrom.

Qualified personnel

Load cells must only be installed by qualified personnel, strictly in accordance with the specifications in conjunction with the safety requirements and regulations listed below. It is also essential to observe the appropriate legal and safety regulations for the application concerned. The same applies to the use of accessories.

Qualified personnel means persons entrusted with siting, mounting, starting up and operating the product, who possess the appropriate qualifications for their function.

Accident prevention

The prevailing accident prevention regulations must be taken into account, even though the breaking load is well in excess of the full scale value. Pay particular attention to the following data from the specifications

- limit load (E_L)
- limit load at max. eccentricity
- limit lateral loading (E_{Lq})
- breaking load.





Mounting and transportation

Load cells are precision measuring elements and must be handled carefully during mounting and transportation. Knocking or dropping the load cells can damage them. Suitable retainers must be used during installation and operation to protect the load cells against overloading. No forces or moments must be directed via the spring area during mounting.

2 MARKINGS USED

2.1 The marking used in this document

Important instructions for your safety are specifically identified. It is essential to follow these instructions in order to prevent accidents and damage to property.

Symbol	Significance
 CAUTION	This marking warns of a <i>potentially</i> dangerous situation in which failure to comply with safety requirements <i>can</i> result in slight or moderate physical injury.
Notice	This marking draws your attention to a situation in which failure to comply with safety requirements <i>can</i> lead to damage to property.
 Important	This marking draws your attention to <i>important</i> information about the product or about handling the product.
 Tip	This marking indicates application tips or other information that is useful to you.
 Information	This marking draws your attention to information about the product or about handling the product.
<i>Emphasis</i> See ...	Italics are used to emphasize and highlight text and identify references to sections, diagrams, or external documents and files.

2.2 The marking used on the product

CE mark



The CE mark enables the manufacturer to guarantee that the product complies with the requirements of the relevant EC directives (the declaration of conformity is available at <http://www.hbm.com/HBMdoc>).

Statutory waste disposal mark



In accordance with national and local environmental protection and material recovery and recycling regulations, old devices that can no longer be used must be disposed of separately and not with normal household garbage.

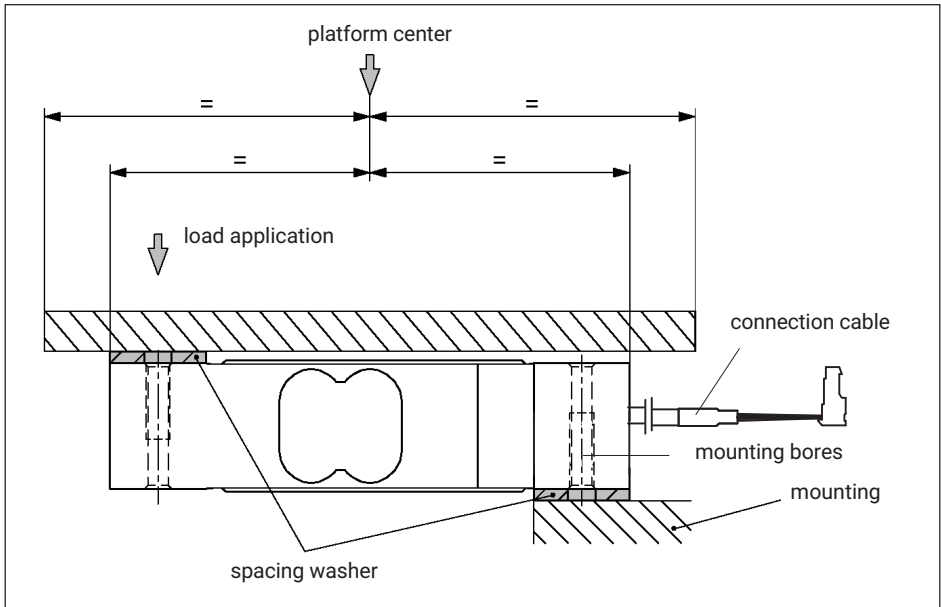
3 MOUNTING AND LOAD APPLICATION

The load cells are fixed at the mounting bores. For the recommended screws and tightening torques refer to the table below:

Max. capacity	Thread	Min. property class	Tightening torque ¹⁾
7.2...36 kg	M6	8.8	6 N·m
72 kg	M6	10.9	10 N·m

1) Recommended value for the stated property class. For screw dimensioning please refer to the appropriate information given by the screw manufacturers.

Load must not be applied to the side where the cable connection is located, as this would cause a force shunt.



4 ELECTRICAL CONNECTION

The following can be connected for measurement signal conditioning:

- carrier-frequency amplifier
- DC amplifier

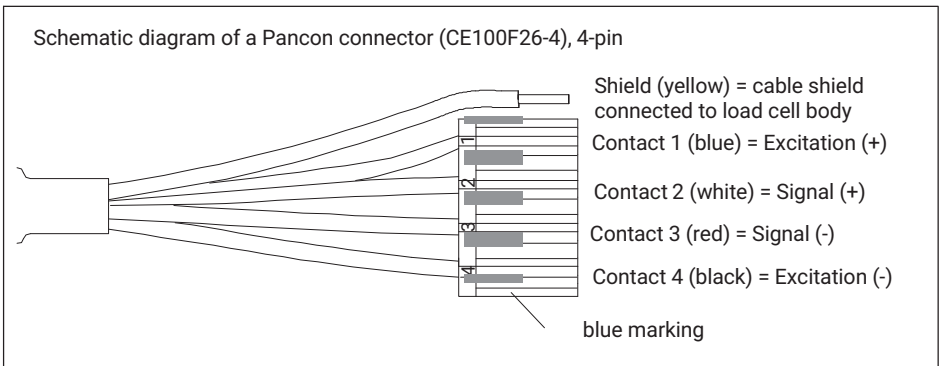
designed for strain gage measurement systems.

4.1 Connecting in four-wire and six-wire configurations

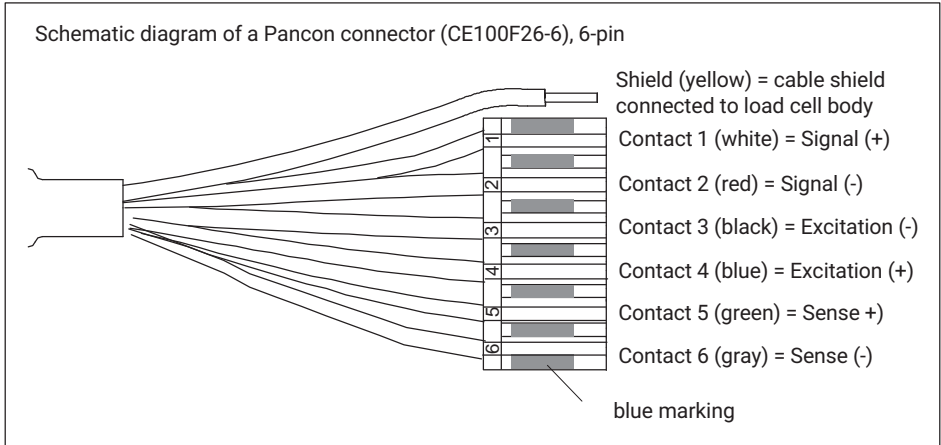
When load cells calibrated in a six-wire configuration are connected to amplifiers with a four-wire configuration, the sense leads of the load cells must be connected to the corresponding excitation leads.

When connecting load cells in a four-wire configuration to amplifiers in a six-wire configuration, a relevant bridge must be attached in the amplifier input between the sense lead and the excitation lead.

4-wire cable connection (cable length: 0.35 m)



Option: 6-wire cable connection (a choice of lengths: 0.35, 1.5 m; 3 m; 6 m)



4.2 Shortening the cable

When the 6-wire configuration is used, the load cell's 6-wire cable can be cut off without impairing measurement accuracy.

The cable of a load cell in a four-wire configuration should not be shortened, as the particular cable length is taken into account in the calibration.

CAUTION

Shortening the cable changes the specifications of load cells with a 4-wire cable.

4.3 Cable extensions

You must only use shielded, low-capacitance measurement cables to extend the cables, making sure that there is a proper connection with minimal contact resistance.

The cable of a six-wire load cell can be extended with a cable of the same type.

The cable of a four-wire load cell should be extended with a 6-wire cable. At the connecting point between the the 4-wire and 6-wire cables, the excitation leads must be connected to the relevant sense lead.

4.4 Parallel connection (option)

Only single point load cells with an aligned output (nominal (rated) sensitivity and output resistance) are suitable for parallel connection. Many of HBM's single point load cell types are available with this option.

4.5 EMC protection

Electrical and magnetic fields often induce interference voltages in the measuring circuit. To ensure reliable measurement, however, the transducer must be able to transmit signal differences of a few μV to the analysis unit without interference.

Planning the shielding design

Due to the numerous application options and differing local constraints, we can only provide you with general information on correct connection. The shielding design suitable for your application must be planned locally by an appropriate specialist.

HBM load cells with shielded, round cables are EMC-tested in accordance with the EU Directive and bear the CE mark. Voltage surges as per EN 61000-4-5 can give rise to deviations from the load cell's specified accuracy. These surges in plants are caused by lightning strikes or switching operations in power circuits, for example, and disappear again when interference is no longer active. This is particularly evident with cables over 30 m long or if the equipment is used outdoors. Customers should take additional precautions in these cases.

Please note:

- Connect the connecting cable shield all over the surface of the shielding electronics housing. When using several load cells, connect the shields all over the surface of the junction box (combination of transducer signals, e.g. type VKK2 from HBM). From there, connect the measurement cable for the electronics over the surface of the junction box and the shielding electronics housing.
- The shield of the connecting cable must not be used for discharging potential differences within the system. You must therefore lay sufficiently dimensioned potential equalization lines to compensate for possible potential differences.
- Use shielded low-capacitance measurement cables only (HBM cables fulfill these conditions).
- Do not route measurement cables parallel to electric cables, especially power lines and control circuits. If this is not possible, protect the measurement cable, for example with steel conduits.
- Avoid stray fields from transformers, motors and contact switches.

5 SPECIFICATIONS

Type	PW2C...					
Accuracy class ¹⁾	C3, C3MR					
Max. numb. of load cell interval (n_{LC})	3000					
Max. capacity (E_{max}) ²⁾	kg	7.2	12	18	36	72
Min. LC verification interval (v_{min}) (Acc. class C3)	g	1	2	5	10	20
Temperature effect on zero balance (TK_0) (Accuracy class C3)	% of $C_n/10$ K	± 0.0194	± 0.0233	± 0.0389	± 0.0389	± 0.0389
Minimum LC verification interval (v_{min}) (Accuracy class C3MR)	g	0.5	1	2	5	10
Temperature effect on zero balance (TK_0) (Accuracy class C3MR)	% of $C_n/10$ K	± 0.0097	± 0.0116	± 0.0155	± 0.0194	± 0.0194
Max. platform size	mm	380 x 380				
Sensitivity (C_n)	mV/V	2.2 \pm 0.2 (Option 6: A = 2 mV/V \pm 0.1 %)				
Zero signal		0 \pm 0.12				
Temperature effect on sensitivity (TK_C) ³⁾ in temperature range +20...+40 °C [+68 ...+104 °F] -10...+20 °C [+14...+68 °F]	% of $C_n/10$ K	± 0.0175 ± 0.0117				
Rel. reversibil. error (d_{hy}) ³⁾		± 0.0166				
Non-linearity (d_{lin}) ³⁾	% of C_n	± 0.0166				
Minimum dead load output return (MDLOR)		± 0.0166				
Off-center load error ⁴⁾		± 0.0233				
Input resistance (R_{LC})	Ω	300...500				
Output resistance (R_0)		300...500 (Option 6: A = 410 Ω \pm 0.2 Ω)				

Type		PW2C...				
Max. capacity (E_{max}) ²⁾	kg	7.2	12	18	36	72
Reference excitation voltage (U_{ref})	V	5				
Nom. range of excitation voltage (B_U)		1 ... 12				
Isolation resistance (R_{is}) at 100 V _{DC}	GΩ	> 2				
Nominal (rated) range of ambient temperature (B_T)	°C [°F]	-10 ... +40 [+14 ... +104]				
Operating temperature range (B_{tu})		-10 ... +50 [+14 ... +122]				
Storage temp. range (B_{tl})		-25 ... +70 [-13 ... +158]				
Limit load (E_L) ^{*)}	% of E_{max}	150				
^{*)} at max. eccentricity	mm	160				
Lateral load limit (E_{lq}), static	% of E_{max}	300				
Breaking load (E_d)		300				
Nominal (rated) displacement at E_{max} (s_{nom}), approx.	mm	< 0.5				
Weight (G), approx.	kg	0.25				
Degree of protection acc. to EN 60529 (IEC 529)		IP67				
Material Measuring body Application protect. Cable sheath		Aluminum Silicone caoutchouc PVC				

1) According to OIMLR60 with $P_{LC} = 0.7$

2) Max. eccentric load according to OIML R76

3) The values for linearity deviation (d_{lin}), relative reversibility error (d_{hy}) and temperature effect on sensitivity (TK_C) are recommended values. The sum of these values remain within the cumulated error limit acc. to OIML R60.

4) According to OIML R76.

Type		PW2C...				
Accuracy class ¹⁾		C6, C6MR				
Max. numb. of load cell interval (n _{LC})		6000				
Max. capacity (E _{max}) ²⁾	kg	7.2	12	18	36	72
Minimum LC verification interval (v _{min}), (Accuracy class C6)	g	0.5	1	2	5	10
Temperature effect on zero balance (TK ₀) (Accuracy class C6)	% of C _n /10 K	±0.0097	±0.0116	±0.0155	±0.0194	±0.0194
Minimum LC verification interval (v _{min}), (Accuracy class C6MR)	g	-	-	1	2	-
Temperature effect on zero balance (TK ₀) (Accuracy class C6MR)	% of C _n /10 K	-	-	±0.0070	±0.0070	-
Max. platform size	mm	380 x 380				
Sensitivity (C _n)	mV/V	2.2 ±0.2 (Option 6: A = 2 mV/V ±0.1 %)				
Zero signal		0 ±0.12				
Temperature effect on sensitivity (TK _C) ³⁾ in temperature range +20...+40 °C [+68...+104 °F] -10...+20 °C [+14...+68 °F]	% of C _n /10 K	±0.0087 ±0.0058				
Relative reversibility error (d _{hy}) ³⁾	% of C _n	±0.0083				
Non-linearity (d _{lin}) ³⁾		±0.0083				
Minimum dead load output return (MDLOR)		±0.0083				
Off-center load error ⁴⁾		±0.0116				

1) According to OIMLR60 with P_{LC} = 0.7.

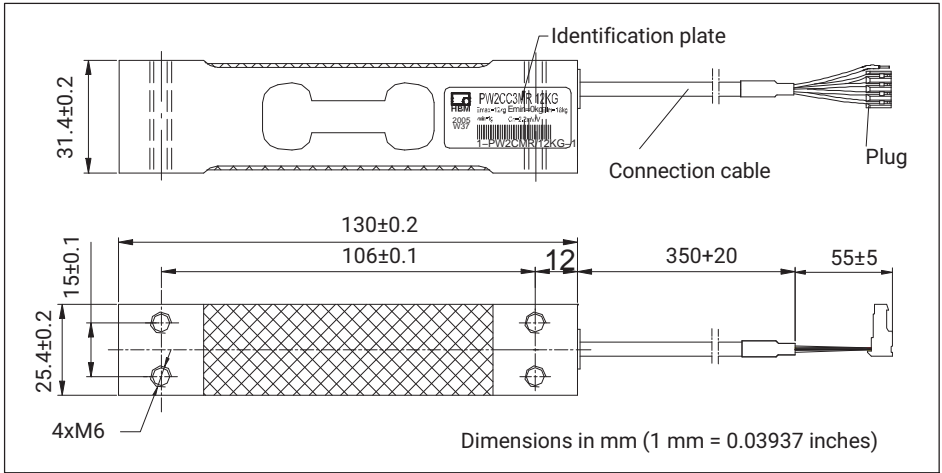
2) Max. eccentric load according to OIML R76.

3) The values for linearity deviation (d_{lin}), relative reversibility error (d_{hy}) and temperature effect on sensitivity (TK_C) are recommended values. The sum of these values remain within the cumulated error limit acc. to OIML R60.

4) According to OIML R76.

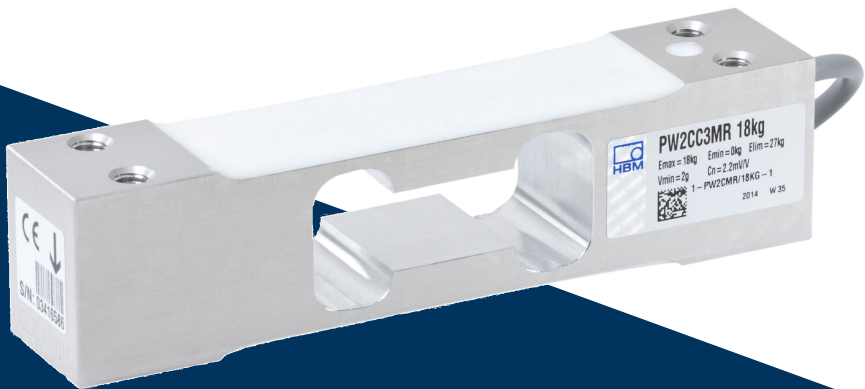
For more specifications, see table PW2C, accuracy class C3, C3MR (starting at page 10).

6 DIMENSIONS



ENGLISH DEUTSCH FRANÇAIS

Montageanleitung



PW2C

INHALTSVERZEICHNIS

1	Sicherheitshinweise	3
2	Verwendete Kennzeichnungen	5
2.1	In dieser Anleitung verwendete Kennzeichnungen	5
3	Montage und Lasteinleitung	6
4	Elektrischer Anschluss	7
4.1	Anschluss in Vier- und Sechsheiter-Technik	7
4.2	Kabelkürzung	8
4.3	Kabelverlängerungen	8
4.4	Parallelschaltung (Option)	8
4.5	EMV-Schutz	9
5	Technische Daten	10
6	Abmessungen	13

Wo bei Bruch Menschen und Sachen zu Schaden kommen können, müssen vom Anwender entsprechende Sicherheitsmaßnahmen (z.B. Absturzsicherungen, Überlastsicherungen usw.) getroffen werden. Der einwandfreie und sichere Betrieb von Wägezellen setzt sachgemäßen Transport, fachgerechte Lagerung, Aufstellung und Montage sowie sorgfältige Bedienung und Instandhaltung voraus.

Die einschlägigen Unfallverhütungsvorschriften sind unbedingt zu beachten. Berücksichtigen Sie insbesondere die in den technischen Daten genannten Grenzlasten.

Bestimmungsgemäßer Gebrauch

Die Wägezellen sind für wägetechnische Anwendungen konzipiert. Jeder darüber hinausgehende Gebrauch gilt als **nicht** bestimmungsgemäß.

Zur Gewährleistung eines sicheren Betriebes dürfen die Wägezellen nur nach den Angaben in der Montageanleitung verwendet werden. Bei der Verwendung sind zusätzlich die für den jeweiligen Anwendungsfall erforderlichen Rechts- und Sicherheitsvorschriften zu beachten. Sinngemäß gilt dies auch bei Verwendung von Zubehör.

Die Wägezellen können als Maschinenelemente (z.B. bei Behälterverwiegungen) eingesetzt werden. Beachten Sie in diesen Fällen, dass die Wägezellen zugunsten einer hohen Messempfindlichkeit nicht mit den in Maschinenkonstruktionen üblichen Sicherheitsfaktoren konstruiert sind. Die Wägezellen sind keine Sicherheitselemente im Sinne des bestimmungsgemäßen Gebrauchs. Gestalten Sie die das Messsignal verarbeitende Elektronik so, dass bei Ausfall des Messsignals keine Folgeschäden auftreten können.

Allgemeine Gefahren bei Nichtbeachten der Sicherheitshinweise

Die Wägezellen entsprechen dem Stand der Technik und sind betriebssicher. Von den Wägezellen können Restgefahren ausgehen, wenn sie von ungeschultem Personal unsachgemäß eingesetzt und bedient werden.

Jede Person, die mit Aufstellung, Inbetriebnahme, Wartung oder Reparatur einer Wägezelle beauftragt ist, muss die Montageanleitung und insbesondere die sicherheitstechnischen Hinweise gelesen und verstanden haben.

Restgefahren

Der Leistungs- und Lieferumfang der Wägezellen deckt nur einen Teilbereich der Wägetechnik ab. Sicherheitstechnische Belange der Wägetechnik sind zusätzlich vom Anlagenplaner/Ausrüster/Betreiber so zu planen, zu realisieren und zu verantworten, dass Restgefahren minimiert werden. Jeweils existierende Vorschriften sind zu beachten. Auf Restgefahren im Zusammenhang mit der Wägetechnik ist hinzuweisen.

Umgebungsbedingungen

Beachten Sie in Ihrem Anwendungsfeld, dass die verwendete hochfeste Aluminium-Legierung auf Grund ihrer Legierungselemente bei Kontakt mit Elektrolyten und bei hohem und niedrigem pH-Wert nur eingeschränkt korrosionsbeständig ist. Bei Plattformwägezellen aus nichtrostendem Stahl ist zu beachten, dass Säuren und alle Stoffe die Ionen freisetzen, auch nichtrostende Stähle und deren Schweißnähte angreifen.

Die dadurch evtl. auftretende Korrosion kann zum Ausfall der Wägezelle führen. In diesem Fall sind von der Betreiberseite entsprechende Schutzmaßnahmen vorzusehen.

Verbot von eigenmächtigen Umbauten und Veränderungen

Die Wägezellen dürfen ohne unsere ausdrückliche Zustimmung weder konstruktiv noch sicherheitstechnisch verändert werden. Jede Veränderung schließt eine Haftung unsererseits für daraus resultierende Schäden aus.

Qualifiziertes Personal

Die Wägezellen sind nur von qualifiziertem Personal ausschließlich entsprechend der technischen Daten in Zusammenhang mit den nachstehend ausgeführten Sicherheitsbestimmungen und Vorschriften einzusetzen. Hierbei sind zusätzlich die für den jeweiligen Anwendungsfall erforderlichen Rechts- und Sicherheitsvorschriften zu beachten. Sinngemäß gilt dies auch bei Verwendung von Zubehör.

Qualifiziertes Personal sind Personen, die mit Aufstellung, Montage, Inbetriebsetzung und Betrieb des Produktes vertraut sind und die über die ihrer Tätigkeit entsprechende Qualifikationen verfügen.

Unfallverhütung

Obwohl die angegebene Bruchlast ein Mehrfaches vom Messbereichsendwert beträgt, müssen die einschlägigen Unfallverhütungsvorschriften der Berufsgenossenschaften berücksichtigt werden. Berücksichtigen Sie insbesondere die in den Technischen Daten angegebenen

- Grenzlast (E_L)
- Grenzlast bei max. Exzentrizität
- Grenzquerbelastung (E_{Lq})
- Bruchlast.





Montage und Transport

Als Präzisions-Messelement sind Wägezellen bei der Montage und beim Transport sorgfältig zu behandeln. Stöße oder Fallenlassen können die Wägezellen beschädigen. Bei Einbau und Betrieb sind die Wägezellen durch geeignete Anschläge vor Überlastung zu schützen. Bei der Montage dürfen keine Kräfte und Momente über den Federbereich geleitet werden.

2 VERWENDETE KENNZEICHNUNGEN

2.1 In dieser Anleitung verwendete Kennzeichnungen

Wichtige Hinweise für Ihre Sicherheit sind besonders gekennzeichnet. Beachten Sie diese Hinweise unbedingt, um Unfälle und Sachschäden zu vermeiden.

Symbol	Bedeutung
 VORSICHT	Diese Kennzeichnung weist auf eine <i>mögliche</i> gefährliche Situation hin, die – wenn die Sicherheitsbestimmungen nicht beachtet werden – leichte oder mittlere Körperverletzung zur Folge <i>haben kann</i> .
Hinweis	Diese Kennzeichnung weist auf eine Situation hin, die – wenn die Sicherheitsbestimmungen nicht beachtet werden – Sachschäden zur Folge <i>haben kann</i> .
 Wichtig	Diese Kennzeichnung weist auf <i>wichtige</i> Informationen zum Produkt oder zur Handhabung des Produktes hin.
 Tip	Diese Kennzeichnung weist auf Anwendungstipps oder andere für Sie nützliche Informationen hin.
 Information	Diese Kennzeichnung weist auf Informationen zum Produkt oder zur Handhabung des Produktes hin.
<i>Hervorhebung</i> <i>Siehe ...</i>	Kursive Schrift kennzeichnet Hervorhebungen im Text und kennzeichnet Verweise auf Kapitel, Bilder oder externe Dokumente und Dateien.

CE-Kennzeichnung



Mit der CE-Kennzeichnung garantiert der Hersteller, dass sein Produkt den Anforderungen der relevanten EG-Richtlinien entspricht (die Konformitätserklärung finden Sie auf der Website von HBM (www.hbm.com) unter HBMdoc).

Gesetzlich vorgeschriebene Kennzeichnung zur Entsorgung



Nicht mehr gebrauchsfähige Altgeräte sind gemäß den nationalen und örtlichen Vorschriften für Umweltschutz und Rohstoffrückgewinnung getrennt von regulärem Hausmüll zu entsorgen.

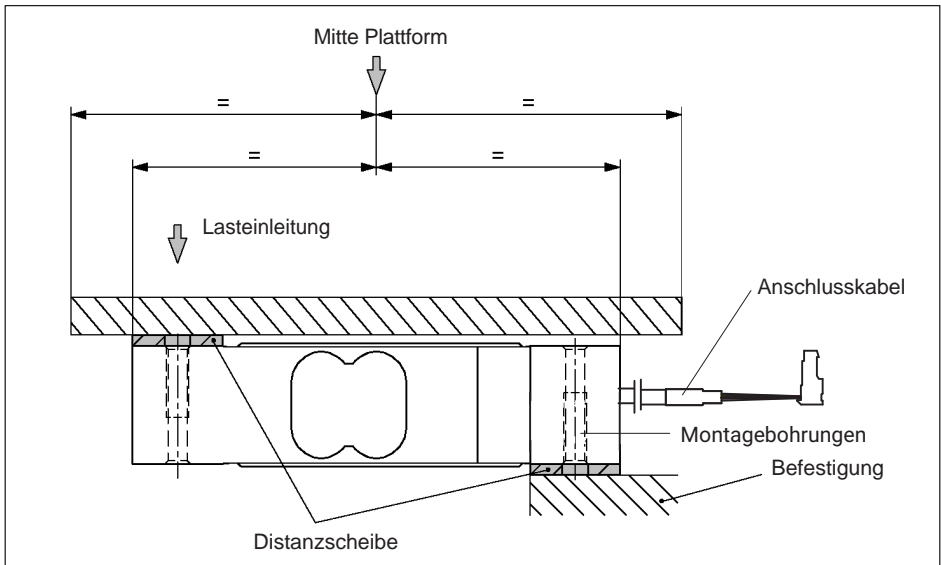
3 MONTAGE UND LASTEINLEITUNG

Die Wägezellen werden an den Montagebohrungen befestigt, die Last wird am anderen Ende aufgebracht. Die empfohlenen Schrauben und Anzugsmomente entnehmen Sie der nachfolgenden Tabelle:

Nennlasten	Gewinde	Min.-Festigkeitsklasse	Anzugsmoment ¹⁾
7,2...36 kg	M6	8.8	6 N·m
72 kg	M6	10.9	10 N·m

1) Richtwert für die angegebene Festigkeitsklasse. Zur Auslegung von Schrauben beachten Sie bitte entsprechende Informationen der Schraubenhersteller

Die Lasteinleitung darf nicht auf der Seite des Kabelanschlusses erfolgen, dies führt zu einem Kraftnebenschluss.



4 ELEKTRISCHER ANSCHLUSS

Zur Messsignalverarbeitung können angeschlossen werden:

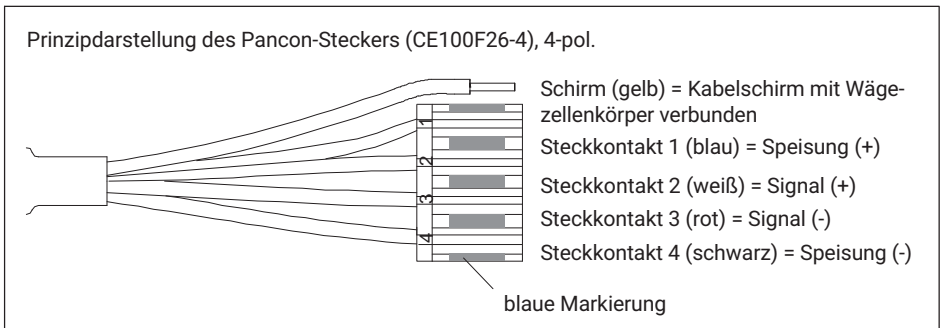
- Trägerfrequenz-Messverstärker
 - Gleichspannungs-Messverstärker
- die für DMS-Messsysteme ausgelegt sind.

4.1 Anschluss in Vier- und Sechseleiter-Technik

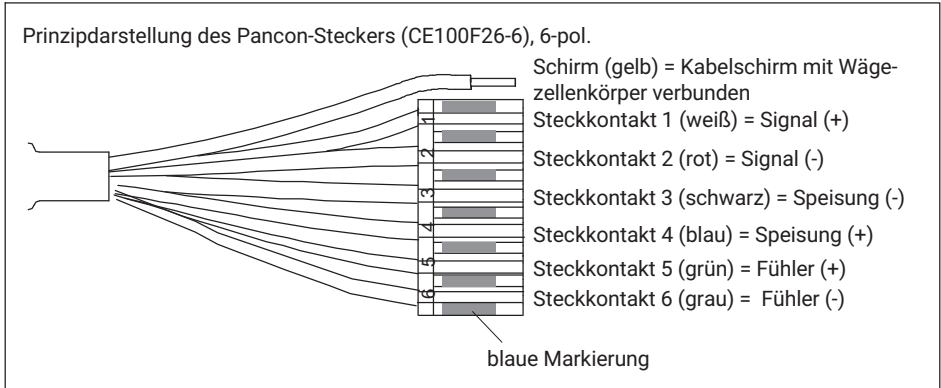
Wenn Wägezellen, die in Sechseleiter-Technik ausgeführt sind, an Verstärker mit Vierleiter-Technik angeschlossen werden, sind die Fühlerleitungen der Wägezellen mit den entsprechenden Speiseleitungen zu verbinden.

Beim Anschluss von in Vierleiter-Technik ausgeführten Wägezellen an Verstärker in Sechseleiter-Technik ist eine entsprechende Brücke im Eingang des Verstärkers zwischen Fühler- und Speiseleitung anzubringen.

Anschluss mit 4-adrigem Kabel (Kabellänge: 0,35 m)



Optional: Anschl. mit 6-adr. Kabel (Längen wählbar: 0,35 m 1,5 m; 3 m; 6 m)



4.2 Kabelkürzung

Bei Anwendung der Sechisleiter-Technik kann das 6-adrige Kabel der Wägezelle gekürzt werden, ohne dass dadurch die Messgenauigkeit beeinträchtigt wird.

Das Kabel einer Wägezelle in Vier-Leitertechnik sollte nicht gekürzt werden, da die jeweilige Kabellänge bei der Kalibrierung berücksichtigt ist.

VORSICHT

Kürzen des Kabels verändert die technischen Daten der Wägezellen mit 4-Leiterkabel.

4.3 Kabelverlängerungen

Zur Verlängerung von Kabeln verwenden Sie nur abgeschirmte, kapazitätsarme Messkabel, wobei auf eine einwandfreie Verbindung mit geringstem Übergangswiderstand zu achten ist.

Das Kabel einer Sechisleiter-Wägezelle kann mit einem gleichartigen Kabel verlängert werden.

Das Kabel einer Vierleiter-Wägezelle sollte mit einem 6-Leiterkabel verlängert werden. An der Verbindungsstelle zwischen 4- und 6-Leiterkabel sind die Speiseleitungen mit der jeweiligen Fühlerleitung zu verbinden.

4.4 Parallelschaltung (Option)

Nur Plattform-Wägezellen mit abgeglichenen Ausgang (Nennkennwert und Ausgangswiderstand) sind zur Parallelschaltung geeignet. Viele Plattformwägezellen-Typen von HBM sind mit dieser Option lieferbar.

4.5 EMV-Schutz

Elektrische und magnetische Felder verursachen oft eine Einkopplung von Störspannungen in den Messkreis. Für eine zuverlässige Messung müssen jedoch Signalunterschiede von wenigen μV , vom Aufnehmer zur Auswerteelektronik störungsfrei übertragen werden können.

Planung des Schirmungskonzepts

Aufgrund der vielfältigen Einsatzmöglichkeiten und der unterschiedlichen Randbedingungen vor Ort können wir Ihnen nur Hinweise für einen sachgerechten Anschluss geben. Das für Ihre Anwendung passende Schirmungskonzept muss vor Ort von einer entsprechenden Fachkraft geplant werden.

HBM-Wägezellen mit geschirmtem Rundkabel sind gemäß der EU-Richtlinie EMV geprüft und tragen die CE-Kennzeichnung. Durch Spannungstöße nach EN 61000-4-5 können Abweichungen über der spezifizierten Genauigkeit der Wägezelle entstehen. Solche Spannungstöße kommen in Anlagen z.B. durch Blitzeinschlag oder Schaltheftungen in Leistungsstromkreisen vor und verschwinden direkt nach Störeinwirkung wieder. Dies ist insbesondere bei Kabellängen über 30 m oder Verwendung im Außenbereich zu beachten. In diesen Anwendungsfällen sind kundenseitig zusätzliche Vorkehrungen zu treffen.

Zu beachtende Punkte:

- Schließen Sie den Schirm des Anschlusskabels flächig am schirmenden Gehäuse der Elektronik an. Schließen Sie bei der Verwendung von mehreren Wägezellen die Schirme flächig am Klemmenkasten (Zusammenführung der Aufnehmersignale, z. B. Typ VKK2 von HBM) an. Schließen Sie von dort aus das Messkabel zur Elektronik sowohl flächig am Klemmenkasten als auch flächig am schirmenden Gehäuse der Elektronik an.
- Der Schirm der Anschlusskabel darf nicht als Ableitung von Potenzialunterschieden innerhalb des Systems dienen. Verlegen Sie deshalb ausreichend dimensionierte Potenzialausgleichsleitungen, um mögliche Potenzialunterschiede auszugleichen.
- Verwenden Sie nur abgeschirmte kapazitätsarme Messkabel (HBM-Kabel erfüllen diese Bedingungen).
- Legen Sie die Messkabel nicht parallel zu Stromkabeln, insbesondere zu Starkstrom- und Steuerleitungen. Falls dies nicht möglich ist, schützen Sie die Messkabel, z. B. durch Stahlpanzerrohre.
- Meiden Sie Streufelder von Trafos, Motoren und Schützen

5 TECHNISCHE DATEN

Typ		PW2C...				
Genauigkeitsklasse ¹⁾		C3, C3MR				
Anzahl der Teilungswerte (n_{LC})		3000				
Nennlast (E_{max}) ²⁾	kg	7,2	12	18	36	72
Mindestteilungswert (v_{min}) (Genauigkeitsklasse C3)	g	1	2	5	10	20
Temperaturkoeffizient des Nullsignals (TK_0), (Genauigkeitskl. C3)	% v. $C_n/10\text{ K}$	$\pm 0,0194$	$\pm 0,0233$	$\pm 0,0389$	$\pm 0,0389$	$\pm 0,0389$
Mindestteilungswert (v_{min}) (Genauigkeitskl. C3MR)	g	0,5	1	2	5	10
Temperaturkoeff. des Nullsignals (TK_0) (Genauigkeitsklasse C3MR)	% v. $C_n/10\text{ K}$	$\pm 0,0097$	$\pm 0,0116$	$\pm 0,0155$	$\pm 0,0194$	$\pm 0,0194$
Max. Plattformgröße	mm	380 x 380				
Nennkennwert (C_n)	mV/V	2,2 \pm 0,2 (Option 6: A = 2 mV/V \pm 0,1 %)				
Nullsignal		0 \pm 0,12				
Temperaturkoeff. des Kennwertes (TK_C) ³⁾ im Temperaturbereich +20 ... +40 °C -10 ... +20 °C	% v. $C_n/10\text{ K}$	$\pm 0,0175$ $\pm 0,0117$				
Rel. Umkehrspanne (d_{hy}) ³⁾	% v. C_n	$\pm 0,0166$				
Linearitätsabweichung (d_{lin}) ³⁾		$\pm 0,0166$				
Mindestvorlastsignalrückkehr (MDLOR)		$\pm 0,0166$				
Eckenlastfehler ⁴⁾		$\pm 0,0233$				
Eingangswiderstand (R_{LC})	Ω	300...500				
Ausgangswiderstand (R_0)		300...500 (Option 6: A = 410 Ω \pm 0,2 Ω)				

Typ		PW2C...				
Nennlast (E_{max}) ²⁾	kg	7,2	12	18	36	72
Referenzspeisespannung (U_{ref})	V	5				
Nennbereich der Speisespannung (B_U)		1 ... 12				
Isolationswiderstand (R_{is}) bei 100 V _{DC}	GΩ	> 2				
Nennbereich der Umgebungstemperatur (B_T)	°C	-10 ... +40				
Gebrauchstemperaturbereich (B_{tu})		-10 ... +50				
Lagerungstemperaturbereich (B_{tl})		-25 ... +70				
Grenzlast (E_L) *)	% v. E_{max}	150				
*) bei max. Exzentrizität	mm	160				
Grenzquerbelastung (E_{lq}), statisch	% v. E_{max}	300				
Bruchlast (E_d)		300				
Nennmessweg bei E_{max} (s_{nom}), ca.	mm	< 0,5				
Gewicht (G), ca.	kg	0,25				
Schutzart nach EN 60529 (IEC 529)		IP67				
Material Messkörper Abdeckung Kabelmantel		Aluminium Silikonkautschuk PVC				

1) Nach OIML R60 mit $P_{LC} = 0,7$

2) Max. exzentrische Belastung gemäß OIML R76

3) Die Werte für Linearitätsabweichung (d_{lin}), Relative Umkehrspanne (d_{hy}) und Temperaturkoeffizient des Kennwertes (TK_C) sind Richtwerte. Die Summe dieser Werte liegt innerhalb der Summenfehlergrenze nach OIML R60.

4) Nach OIML R76

Typ		PW2C...				
Genauigkeitsklasse ¹⁾		C6, C6MR				
Anzahl der Teilungswerte (n _{LC})		6000				
Nennlast (E _{max}) ²⁾	kg	7,2	12	18	36	72
Mindestteilungswert (v _{min}), (Genauigkeitsklasse C6)	g	0,5	1	2	5	10
Temperaturkoeffizient des Nullsignales (TK ₀), (Genauigkeitsklasse C6)	% v. C _n /10 K	±0,0097	±0,0116	±0,0155	±0,0194	±0,0194
Mindestteilungswert (v _{min}), (Genauigkeitsklasse C6MR)	g	-	-	1	2	-
Temperaturkoeffizient des Nullsignales (TK ₀), (Genauigkeitskl. C6MR)	% v. C _n /10 K	-	-	±0,0070	±0,0070	-
Max. Plattformgröße	mm	380 x 380				
Nennkennwert (C _n)	mV/V	2,2 ±0,2 (Option 6: A = 2 mV/V±0,1 %)				
Nullsignal		0 ±0,12				
Temperaturkoeffizient des Kennwertes (TK _C) ³⁾ Temperaturbereich: +20 ... +40 °C -10 ... +20 °C	% v. C _n /10 K	±0,0087 ±0,0058				
Relative Umkehrspanne (d _{hy}) ³⁾	% v. C _n	±0,0083				
Linearitätsabweichung (d _{lin}) ³⁾		±0,0083				
Mindestvorlastsignalrückkehr (MDLOR)		±0,0083				
Eckenlastfehler ⁴⁾		±0,0116				

1) Nach OIML R60 mit P_{LC} = 0,7

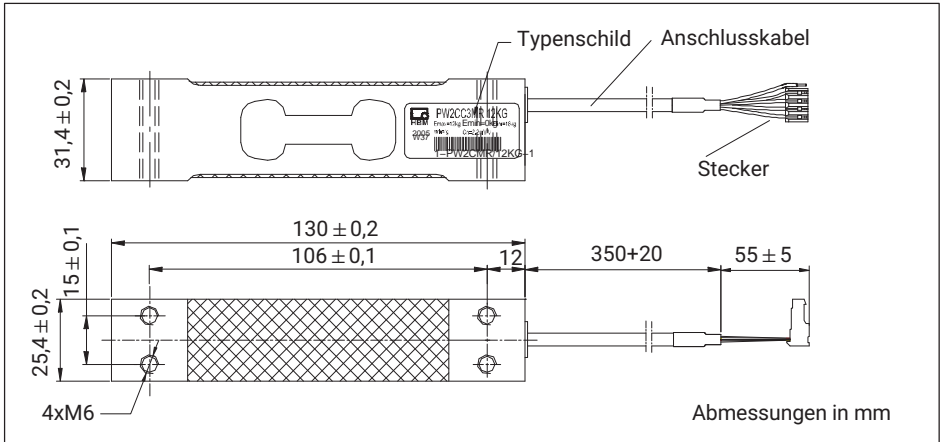
2) Max. exzentrische Belastung gemäß OIML R76

3) Die Werte für Linearitätsabweichung (d_{lin}), Relative Umkehrspanne (d_{hy}) und Temperaturkoeffizient des Kennwertes (TK_C) sind Richtwerte. Die Summe dieser Werte liegt innerhalb der Summenfehlergrenze nach OIML R60.

4) Nach OIML R76

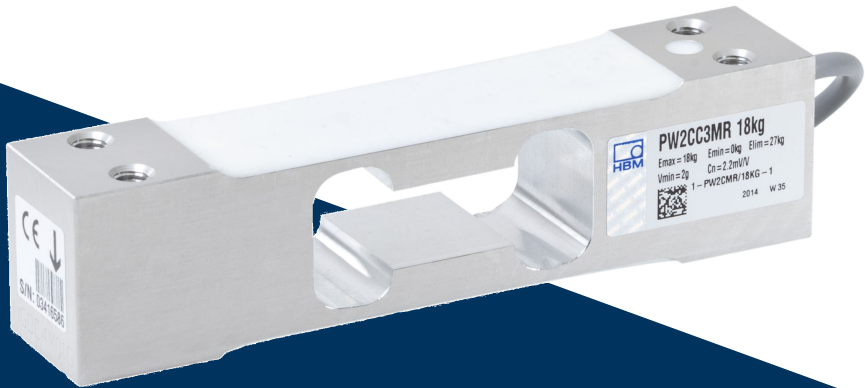
Für weitere technische Daten, siehe Tabelle PW2C, Genauigkeitsklasse C3, C3MR
(ab Seite 10)

6 ABMESSUNGEN



ENGLISH DEUTSCH FRANÇAIS

Notice de montage



PW2C

TABLE DES MATIÈRES

1	Consignes de sécurité	3
2	Marquages utilisés	5
2.1	Marquages utilisés dans le présent document	5
2.2	Marquages utilisés sur le produit	5
3	Montage et Application de charge	7
4	Raccordement électrique	8
4.1	Raccordement en technique à quatre et six fils	8
4.2	Raccourcissement de câble	9
4.3	Rallonges de câble	9
4.4	Branchement en parallèle (option)	9
4.5	Protection CEM	10
5	Caractéristiques techniques	11
6	Dimensions	15

1 CONSIGNES DE SÉCURITÉ

Dans les cas où une rupture serait susceptible de provoquer des dommages corporels et matériels, l'utilisateur se doit de prendre les mesures de sécurité qui s'imposent (p. ex. dispositifs antichute, protections contre les surcharges, etc.). Afin de garantir un fonctionnement parfait et en toute sécurité des pesons, il convient de veiller à un transport, un stockage, une installation et un montage appropriés et d'assurer un maniement ainsi qu'un entretien scrupuleux.

Les règles de prévention des accidents applicables doivent impérativement être observées. Respecter tout particulièrement les charges limites indiquées dans les caractéristiques techniques.

Utilisation conforme

Les pesons sont conçus pour des applications de pesage. Toute autre application est considérée comme **non** conforme.

Pour garantir un fonctionnement de ces pesons en toute sécurité, ceux-ci doivent être utilisés conformément aux instructions de la notice de montage. De plus, il convient, pour chaque application, de respecter les règlements et consignes de sécurité correspondants. Ceci s'applique également à l'utilisation des accessoires.

Les pesons peuvent être utilisés en tant qu'éléments de machine (p. ex. pour le pesage de cuves). Dans ce cas, noter que les pesons, pour garantir une grande sensibilité de mesure, ne sont pas conçus selon les critères de sécurité couramment appliqués dans le domaine de la construction de machines. Les pesons ne sont pas des éléments de sécurité au sens de l'utilisation conforme. L'électronique traitant le signal de mesure doit être conçue de manière à empêcher tout endommagement consécutif à une panne du signal.

Risques généraux en cas de nonrespect des consignes de sécurité

Les pesons correspondent au niveau de développement technologique actuel et présentent une parfaite sécurité de fonctionnement. Les pesons peuvent présenter des dangers résiduels s'ils sont utilisés par du personnel non qualifié sans tenir compte des consignes de sécurité.

Toute personne chargée de l'installation, de la mise en service, de la maintenance ou de la réparation d'un peson doit impérativement avoir lu et compris la notice de montage et notamment les informations relatives à la sécurité.

Dangers résiduels

Les performances des pesons et l'étendue de la livraison ne couvrent qu'une partie de la technique de pesage. La sécurité dans ce domaine doit également être conçue, mise en oeuvre et prise en charge par l'ingénieur/le constructeur/l'opérateur de manière à minimiser les dangers résiduels. Les dispositions correspondantes en vigueur doivent être res-

pectées. Il convient d'attirer l'attention sur les dangers résiduels liés à la technique de pesage.

Conditions ambiantes

Attention, l'alliage d'aluminium très solide utilisé présentera, en raison de ses éléments d'alliage, une résistance à la corrosion limitée s'il entre en contact avec des électrolytes et si la valeur de pH dans le champ d'application est faible ou élevée. Pour les pesons plateformes en acier inoxydable, il faut noter que les acides et toutes les substances libérant des ions attaquent également les aciers inoxydables et leurs cordons de soudure.

La corrosion éventuelle qui peut en résulter est susceptible d'entraîner la défaillance du peson. L'exploitant doit donc prévoir des mesures de protection correspondantes.

Interdiction de procéder à des transformations et modifications sans accord préalable

Toute modification des pesons au niveau de la construction et des éléments de sécurité est strictement interdite sans notre accord explicite. Nous ne pourrions en aucun cas être tenus responsables des dommages qui résulteraient d'une modification quelconque.

Personnel qualifié

Les pesons doivent uniquement être manipulés par du personnel qualifié conformément aux caractéristiques techniques et aux consignes de sécurité mentionnées ci-après. De plus, il convient, pour chaque cas particulier, de respecter les règlements et consignes de sécurité correspondants. Ceci s'applique également à l'utilisation des accessoires.

Sont considérées comme personnel qualifié les personnes familiarisées avec l'installation, le montage, la mise en service et l'exploitation du produit, et disposant des qualifications correspondantes.

Prévention des accidents

Bien que la charge de rupture corresponde à un multiple de la pleine échelle, il est impératif de respecter les directives pour la prévention des accidents du travail éditées par les caisses professionnelles d'assurance accident. Respecter en particulier les valeurs indiquées dans les caractéristiques techniques pour

- la charge limite (E_L),
- la charge limite pour l'excentricité max.,
- la charge latérale limite, (E_{LQ})
- la charge de rupture.





Montage et transport

En tant qu'élément de mesure de précision, les pesons doivent être manipulés avec soin lors du montage et du transport. Un choc ou une chute peut endommager les pesons. Lors de leur mise en place et du fonctionnement, les pesons doivent être protégés des surcharges par des butées appropriées. Lors du montage, veiller à ce qu'aucune force et aucun moment ne soit appliqué sur la zone du ressort.

2 MARQUAGES UTILISÉS

2.1 Marquages utilisés dans le présent document

Les remarques importantes pour votre sécurité sont repérées d'une manière particulière. Il est impératif de tenir compte de ces consignes, afin d'éviter les accidents et les dommages matériels.

Symbole	Signification
 ATTENTION	Ce marquage signale un risque <i>potentiel</i> qui - si les dispositions relatives à la sécurité ne sont pas respectées - <i>peut avoir</i> pour conséquence des blessures corporelles de gravité minimale ou moyenne.
Note	Ce marquage signale une situation qui - si les dispositions relatives à la sécurité ne sont pas respectées - <i>peut avoir</i> pour conséquence des dégâts matériels.
 Important	Ce marquage signale que des informations <i>importantes</i> concernant le produit ou sa manipulation sont fournies.
 Conseil	Ce marquage est associé à des conseils d'utilisation ou autres informations utiles.
 Information	Ce marquage signale que des informations concernant le produit ou sa manipulation sont fournies.
<i>Mise en valeur Voir ...</i>	Pour mettre en valeur certains mots du texte, ces derniers sont écrits en italique.

2.2 Marquages utilisés sur le produit

Label CE



Avec le marquage CE, le fabricant garantit que son produit est conforme aux exigences des directives CE qui s'y appliquent (Pour voir la déclaration de conformité visitez <http://www.hbm.com/HBMdoc>).

Marquage prescrit par la loi pour la gestion des déchets



Selon les règlements nationaux et locaux relatifs à la protection de l'environnement et au recyclage des matières premières, les anciens appareils doivent être séparés des déchets ménagers pour l'élimination.

Pour obtenir plus d'informations sur l'élimination des déchets, veuillez vous adresser aux autorités locales ou au revendeur auquel vous avez acheté le produit.

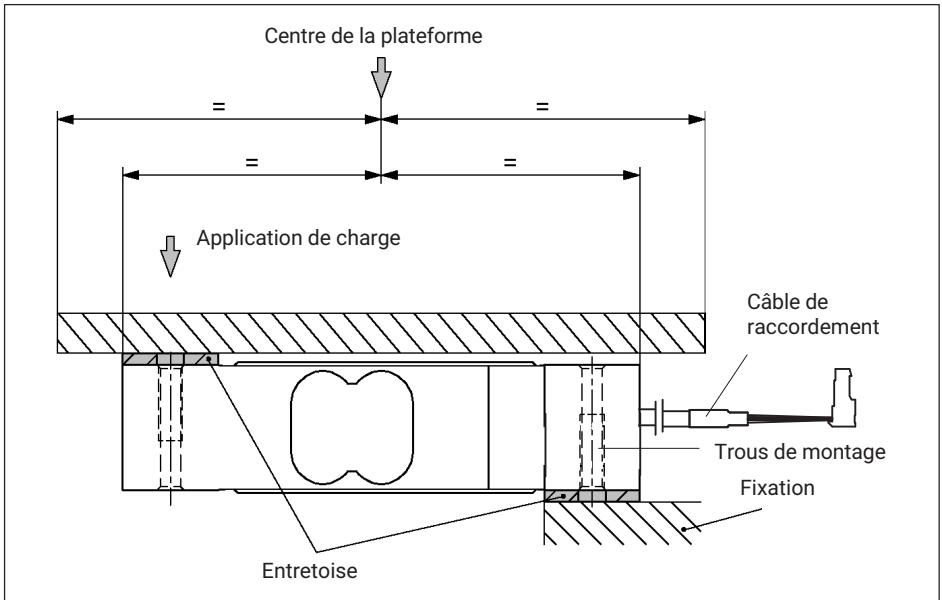
3 MONTAGE ET APPLICATION DE CHARGE

Les pesons sont mis en place à force dans les trous de montage, la charge étant appliquée à l'autre extrémité. Les boulons de fixation ainsi que les couples de serrage afférents sont indiqués par le tableau ci-dessous.

Pesons	Pas	Classe de résistance min.	Couple de serrage ¹⁾
7,2...36 kg	M6	8.8	6 N·m
72 kg	M6	10.9	10 N·m

¹⁾ Valeurs indicatives pour la classe de résistance spécifiée pour déterminer définitivement les catégories de boulons à employer, tenir compte des informations spécifiques données par leur fabricant.

La charge ne doit pas être appliquée du côté du raccordement du câble afin d'éviter tout shunt de force.



4 RACCORDEMENT ÉLECTRIQUE

Pour traiter les signaux de mesure, il est possible de raccorder :

- des amplificateurs à fréquence porteuse ou
- des amplificateurs à courant continu

convenant aux systèmes de mesure à jauges d'extensométrie.

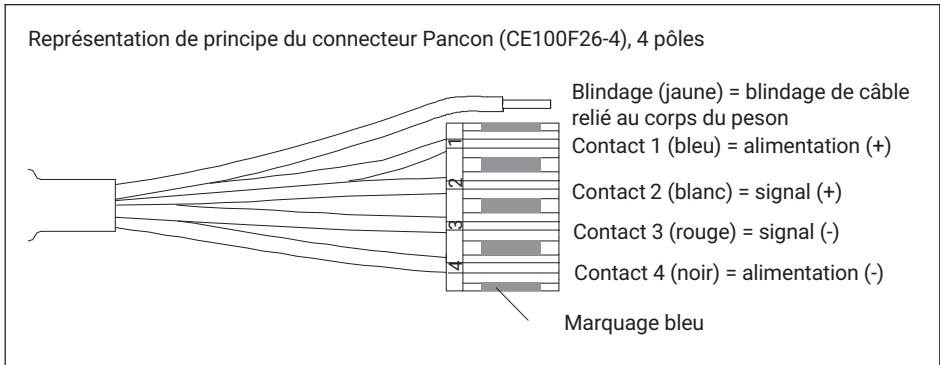
Les pesons sont réalisés en technique à quatre ou six fils, le code de raccordement se trouvant dans les caractéristiques techniques du peson correspondant.

4.1 Raccordement en technique à quatre et six fils

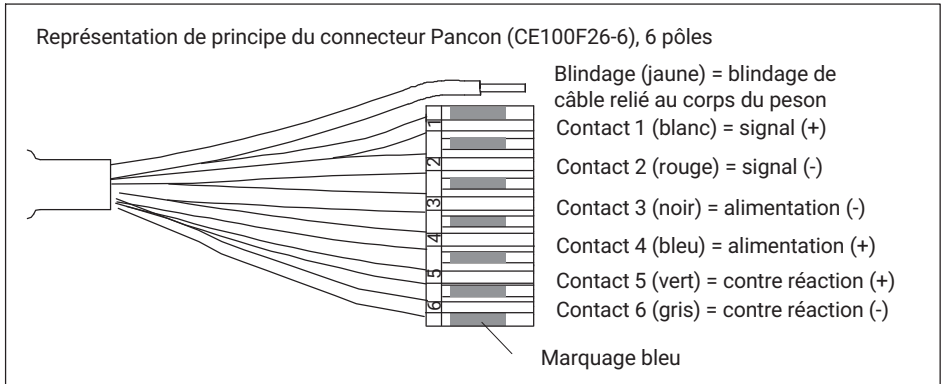
Si les pesons sont en technique à six fils, mais raccordés à un amplificateur à quatre fils, il est alors nécessaire de relier les fils de contre-réaction des pesons aux fils d'alimentation correspondants.

En cas de raccordement de pesons en technique à quatre fils à des amplificateurs à six fils, il faut alors installer un pont correspondant à l'entrée de l'amplificateur, entre le fil de contre-réaction et le fil d'alimentation.

Branchement avec un câble à 4 fils (longueur de câble : 0,35 m)



En option : branchement avec un câble à 6 fils (longueurs au choix : 0,35 m 1,5 m ; 3 m ; 6 m)



4.2 Raccourcissement de câble

Il est possible de raccourcir le câble d'un peson en technique à six fils sans que cela modifie le calibrage.

Il est préférable de ne pas raccourcir le câble d'un peson en technique à quatre fils car le calibrage tient compte de la longueur du câble.

ATTENTION

Le raccourcissement du câble modifie les caractéristiques techniques des pesons ayant un câble à 4 fils.

4.3 Rallonges de câble

Pour rallonger des câbles, utiliser exclusivement des câbles de mesure blindés de faible capacité en veillant à obtenir une connexion parfaite avec une résistance de contact aussi faible que possible.

Le câble d'un peson à six fils peut être rallongé avec un câble de même type.

Pour rallonger le câble d'un peson à quatre fils, il est conseillé d'utiliser un câble à six fils. Au niveau de la connexion entre les câbles à 4 et 6 fils, il faut alors relier les fils d'alimentation avec le fil de contre-réaction correspondant.

4.4 Branchement en parallèle (option)

Seuls les pesons plateformes avec sortie ajustée (sensibilité nominale et résistance de sortie) sont adaptés pour un branchement en parallèle. De nombreux pesons plateformes de HBM sont disponibles avec cette option.

4.5 Protection CEM

Les champs électriques et magnétiques provoquent souvent le couplage de tensions perturbatrices dans le circuit de mesure. Pour une mesure fiable, le système doit pouvoir transmettre sans parasitage des écarts de signaux de quelques μV du capteur à l'électronique d'exploitation.

Planification du concept de blindage

En raison de la multitude de possibilités d'utilisation et de conditions sur site, nous pouvons uniquement vous donner des indications pour un raccordement correct. Le concept de blindage adapté à votre application doit être planifié sur place par un spécialiste compétent.

Les capteurs de pesage HBM avec câble rond blindé sont éprouvés CEM conformément à la directive européenne correspondante et portent le marquage CE. Des chocs de tension selon EN 61000-4-5 peuvent générer des écarts supérieurs à l'exactitude spécifiée du capteur de pesage. De tels chocs de tension apparaissent dans les installations, par exemple suite à des impacts de foudre ou à des manœuvres dans des circuits de puissance. Ils disparaissent immédiatement après la perturbation. Cela est à prendre en compte en particulier pour les câbles de plus de 30 m ou en cas d'utilisation en extérieur. Dans ces cas, le client doit prendre des mesures supplémentaires.

Points à observer :

- Raccorder le blindage du câble de liaison en nappe au boîtier blindé de l'électronique. En cas d'utilisation de plusieurs capteurs de pesage, raccorder les blindages en nappe au boîtier de raccordement (regroupement des signaux de capteurs, par ex. type VKK2 de HBM). De là, raccorder le câble de mesure menant à l'électronique aussi bien en nappe au niveau du boîtier de raccordement qu'en nappe au niveau du boîtier blindé de l'électronique.
- Le blindage du câble de liaison ne doit pas servir de dérivation pour les différences de potentiel au sein du système. Poser plutôt des lignes d'équipotentialité de dimension suffisante pour compenser les différences de potentiel éventuelles.
- Utiliser uniquement des câbles de mesure blindés de faible capacité (les câbles de mesure HBM remplissent cette condition).
- Éviter absolument de poser les câbles de mesure en parallèle avec des câbles électriques, notamment des lignes de puissance et de contrôle. Si cela n'est pas possible, protéger le câble de mesure, par ex. à l'aide de tubes en acier blindé.
- Éviter les champs de dispersion des transformateurs, moteurs et vannes.

5 CARACTÉRISTIQUES TECHNIQUES

Type		PW2C...				
Classe de précision ¹⁾		C3, C3MR				
Nombre d'échelons de vérificat. (n _{LC})		3000				
Portée maximale (E _{max}) ²⁾	kg	7,2	12	18	36	72
Valeur min. d'un échelon (v _{min}) (Cl. de précision C3)	g	1	2	5	10	20
Coefficient de temp. du signal zéro (TK ₀), (Classe de précision C3)	% de C _n /10 K	±0,0194	±0,0233	±0,0389	±0,0389	±0,0389
Val. min. d'un échelon (v _{min}) (Cl. de précision C3MR)	g	0,5	1	2	5	10
Coefficient de temp. du signal zéro (TK ₀) (Classe de précision C3MR)	% de C _n /10 K	±0,0097	±0,0116	±0,0155	±0,0194	±0,0194
Taille de la plateforme, max.	mm	380 x 380				
Sensibilité nominale (C _n)	mV/V	2,2 ±0,2 (Option 6: A= 2 mV/V±0,1 %)				
Signal zéro		0 ±0,12				
Coefficient de température de la sensibilité (TK _C) ³⁾ Plage de température : +20 ... +40 °C -10 ... +20 °C	% de C _n /10 K	±0,0175 ±0,0117				

Type		PW2C...				
Portée maximale (E _{max}) ²⁾	kg	7,2	12	18	36	72
Erreur rel. de réversibilité (d _{hy}) ³⁾	% de C _n	± 0,0166				
Erreur de linéarité (d _{lin}) ³⁾		± 0,0166				
Retour du signal de sortie à la charge morte minimale (MDLOR)		± 0,0166				
Erreur d'excentricité ⁴⁾		± 0,0233				
Résistance en entrée (R _{LC})	Ω	300...500				
Résistance en sortie (R ₀)		300...500 (Option 6: A = 410 Ω ± 0,2 Ω)				
Tension d'alimentation de référence (U _{ref})	V	5				
Plage nom. de la tens. d'alimentation (B _U)		1 ... 12				
Résistance d'isolation (R _{is}) à 100 V _{DC}	GΩ	> 2				
Plage nom. de la température ambiante (B _T)	°C	-10 ... +40				
Plage utile de températ. (B _{tu})		-10 ... +50				
Plage de température de stockage (B _{tl})		-25 ... +70				
Charge limite (E _L) *)	% de E _{max}	150				
*) à excentricité maxi	mm	160				
Force transverse limite (E _{lq}), statique	% de E _{max}	300				
Charge de rupture (E _d)		300				
Déplacement nominal à E _{max} (s _{nom}), env.	mm	< 0,5				
Poids (G), env.	kg	0,25				

Type		PW2C...				
Portée maximale (E_{max}) ²⁾	kg	7,2	12	18	36	72
Degré de protection selon EN 60 529 (IEC529)		IP67				
Matériau Elément de mesure Recouvrement Gaine de câble		Aluminium Gomme silicone PVC				

1) Selon OIML R60 avec $P_{LC} = 0,7$

2) Charge excentrique maximale selon OIML R76

3) Les valeurs d'Ecart de linéarité (d_{lin}), d'Erreur relative de réversibilité (d_{hy}) et du Coefficient de température de la sensibilité (TK_C) ne sont données qu'à titre indicatif. La somme de ces valeurs se situe à l'intérieur des seuils d'erreurs groupées selon OIML R 60.

4) Selon OIML R76

Type		PW2C...				
Classe de précision ¹⁾		C6, C6MR				
Nombre d'échelons de vérificat. (n_{LC})		6000				
Portée maximale (E_{max}) ²⁾	kg	7,2	12	18	36	72
Valeur min. d'un échelon (v_{min}), (Classe de précision C6)	g	0,5	1	2	5	10
Coefficient de temp. du signal zéro (TK_0), (Classe de précision C6)	% de $C_N/10$ K	±0,0097	±0,0116	±0,0155	±0,0194	±0,0194
Valeur min. d'un échelon (v_{min}), (Classe de précision C6MR)	g	-	-	1	2	-
Coefficient de temp. du signal zéro (TK_0), (Classe de précision C6MR)	% de $C_N/10$ K	-	-	±0,0070	±0,0070	-
Taille de la plateforme, max.	mm	380 x 380				

Type		PW2C...				
Portée maximale (E_{max}) ²⁾	kg	7,2	12	18	36	72
Sensibilité nominale (C_n)	mV/V	2,2 ±0,2 (Option 6: A= 2 mV/V±0,1 %)				
Signal zéro		0 ±0,12				
Coefficient de température de la sen- sibilité (TK_C)³⁾ Plage de température : +20 ... +40 °C -10 ... +20 °C	% de $C_n/10$ K	±0,0087				
		±0,0058				
Erreur de réversibilité rel. (d_{hy})³⁾	% de C_n	±0,0083				
Erreur de linéarité (d_{lin})³⁾		±0,0083				
Retour du signal de sortie à la charge morte minimale (MDLOR)		±0,0083				
Erreur d'excentricité⁴⁾		±0,0116				

1) Selon OIML R60 avec $P_{LC} = 0,7$

2) Charge excentrique maximale selon OIML R76

3) Les valeurs d'Ecart de linéarité (d_{lin}), d'Erreur relative de réversibilité (d_{hy}) et du Coefficient de température de la sensibilité (TK_C) ne sont données qu'à titre indicatif. La somme de ces valeurs se situe à l'intérieur des seuils d'erreurs groupées selon OIML R 60.

4) Selon OIML R76

Pour de plus amples informations techniques, voir tableau PW2C, classe de précision C3, C3MR (page 11)

6 DIMENSIONS

