

Mounting case clips

QuantumX modules



Case clips must be mounted on both sides of the casing according to the figures below.

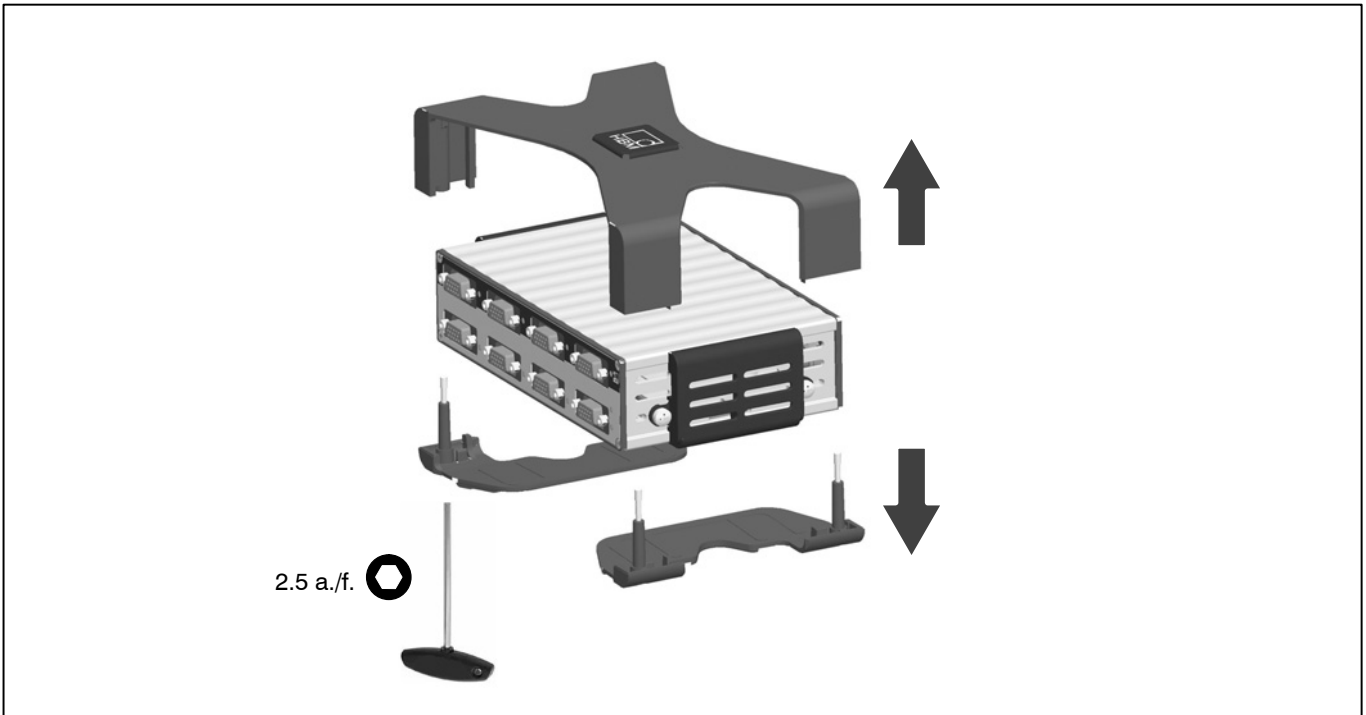


Fig.1: Remove case protection (IP 20 degree of protection only)

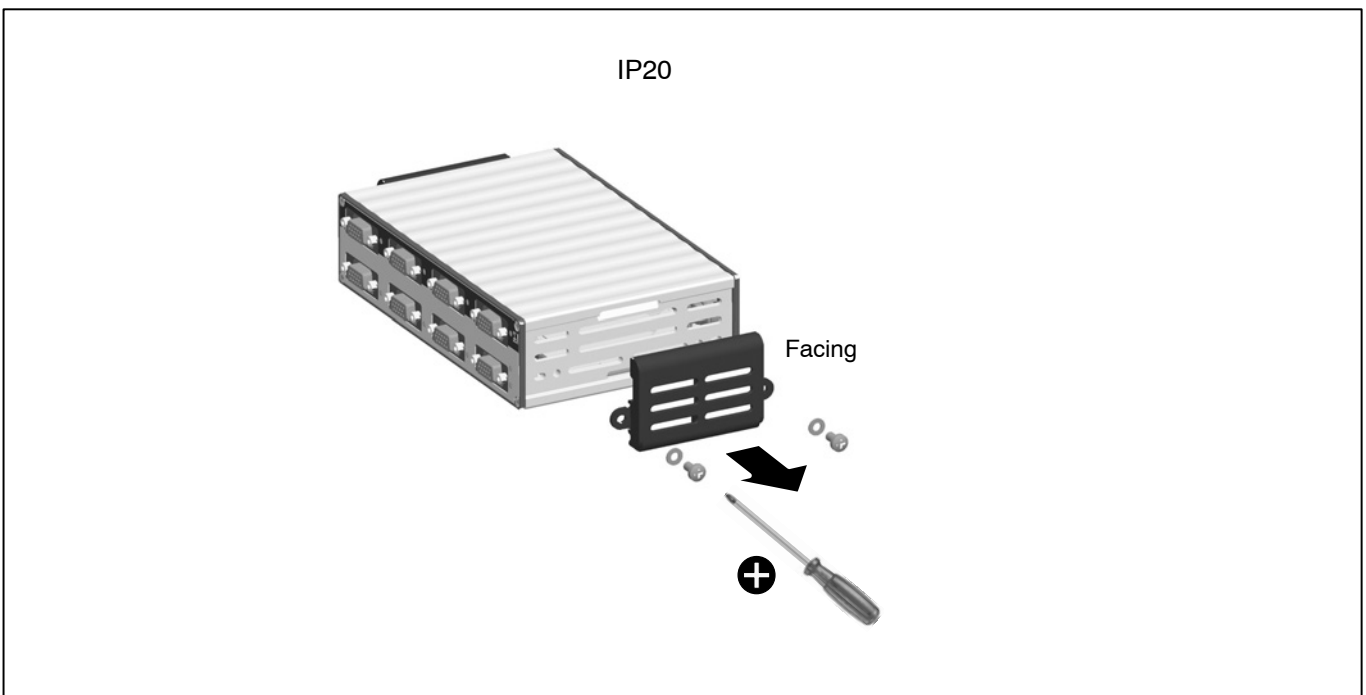


Fig.2: Remove facing

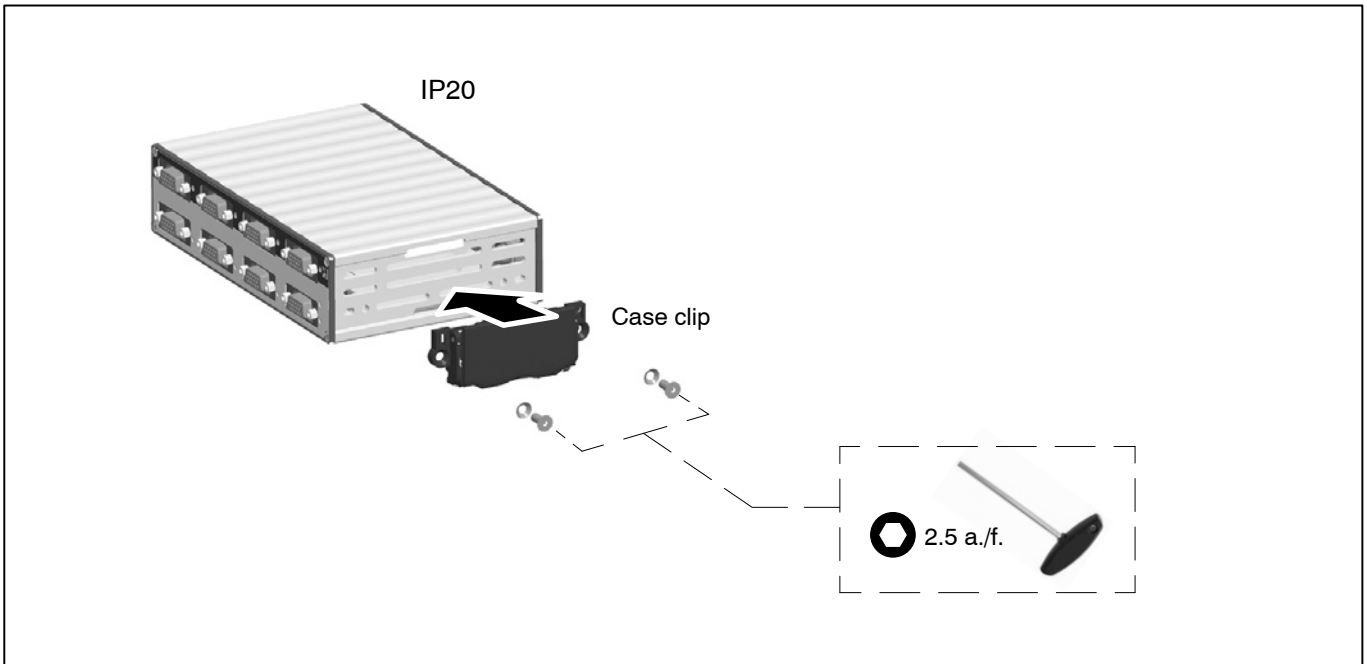


Fig.3: Mount case clips

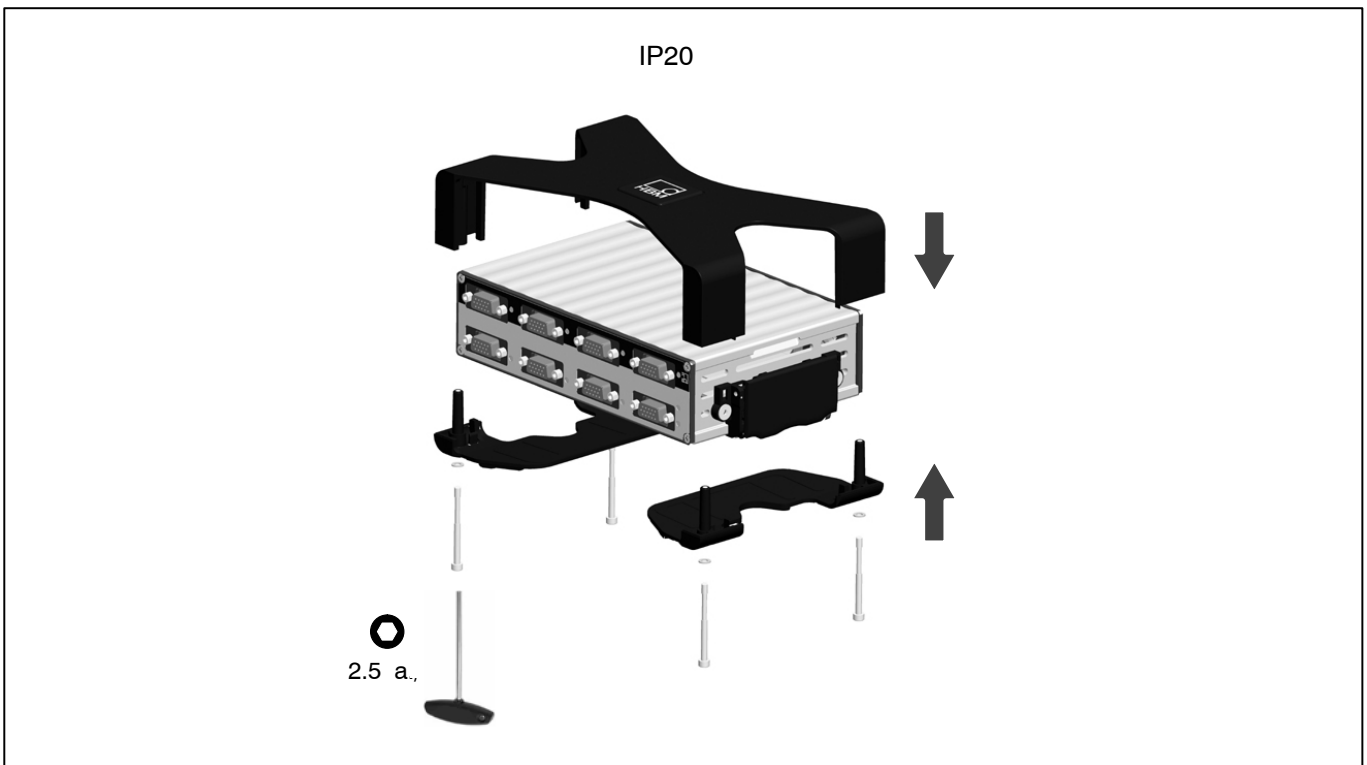


Fig.4a: Mount case protection (IP 20 only)

IP20

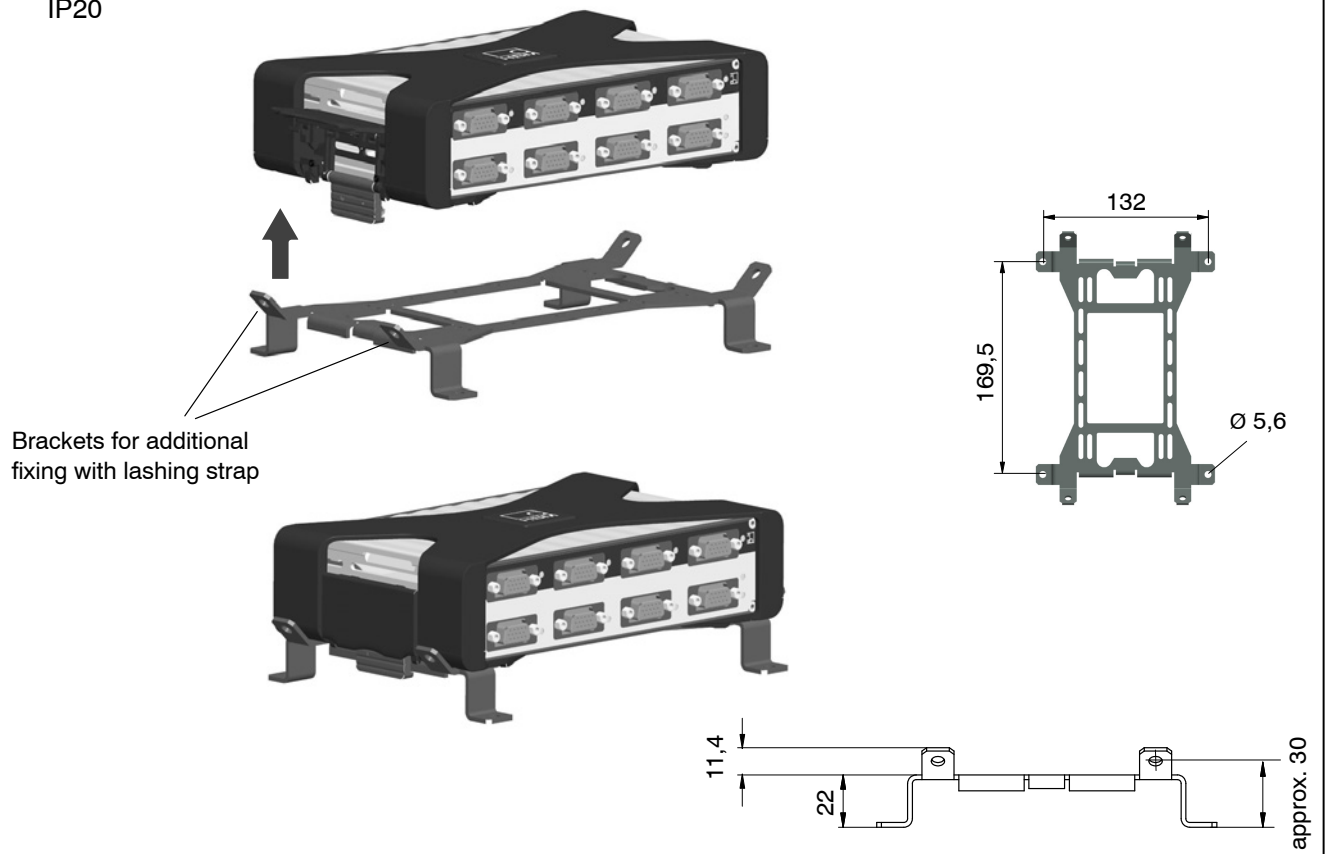


Fig.5: Mount CASEFIT

7-1102.2334

Modifications reserved.

All details describe our products in general form only. They are not to be understood as express warranty and do not constitute any liability whatsoever.

B2334-3.2 en

Hottinger Baldwin Messtechnik GmbH

Im Tiefen See 45, D-64293 Darmstadt, Germany
Tel.: +49 6151 803-0 Fax: +49 6151 803 9100
Email: support@hbm.com Internet: www.hbm.com



measurement with confidence