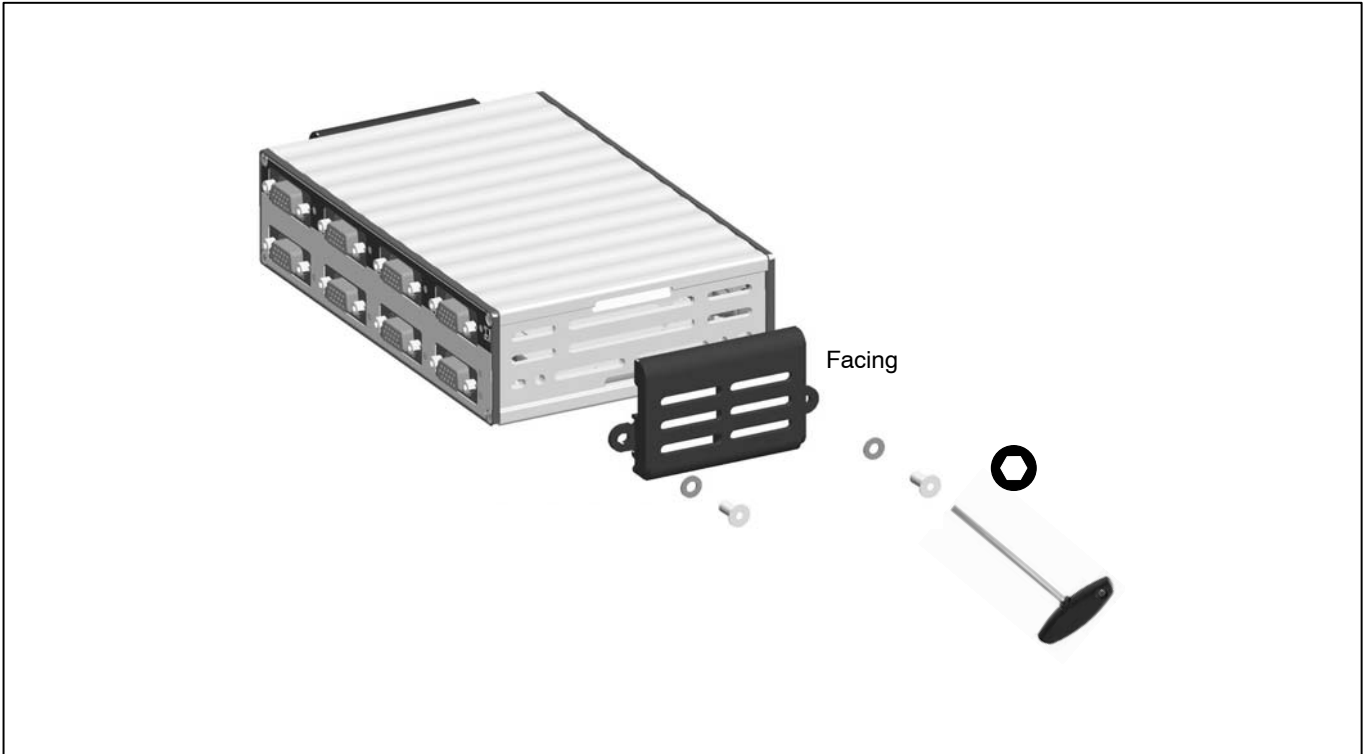


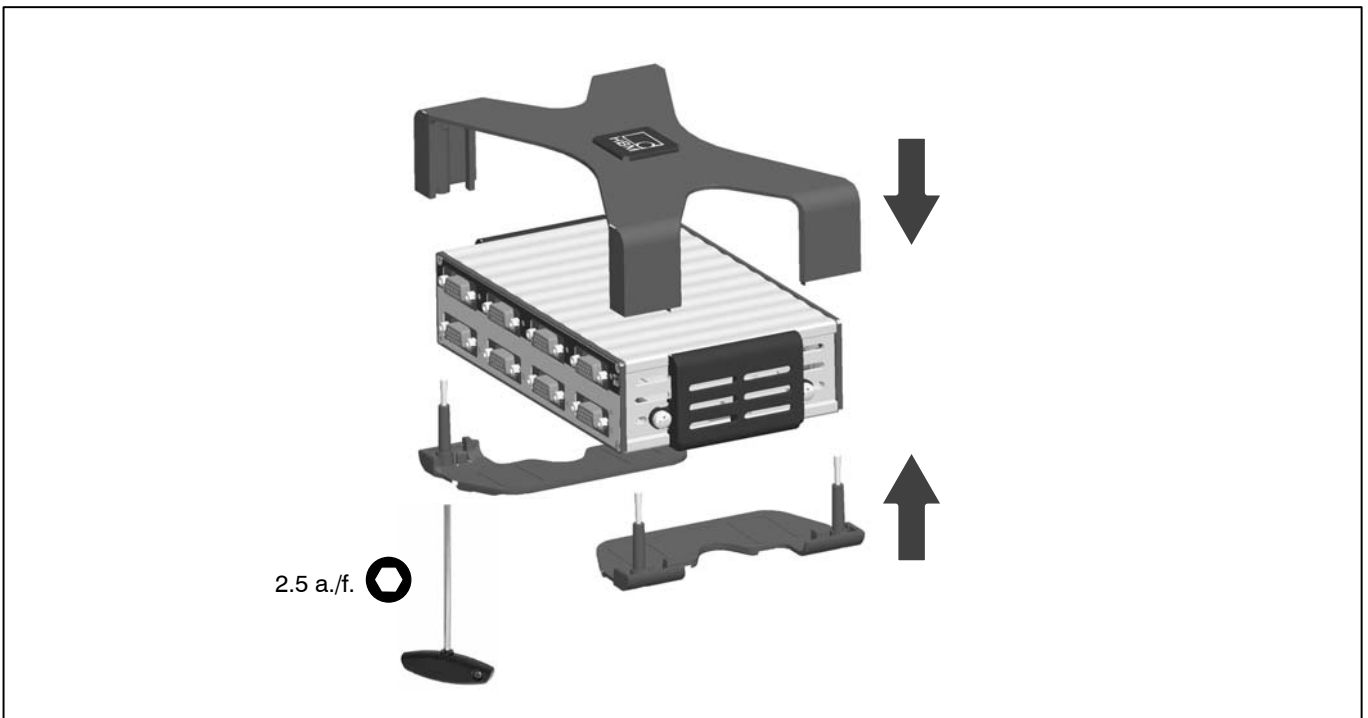
# Mounting case protection



Case protection must be mounted on both sides of the casing according to the figures below.



**Fig. 1:** Mount facing



**Fig. 2:** Mount case protection

©Hottinger Baldwin Messtechnik GmbH.  
Subject to modifications. All product descriptions are for  
general information only. They are not to be understood as a  
guarantee of quality or durability.

**Hottinger Baldwin Messtechnik GmbH**

Im Tiefen See 45 · 64293 Darmstadt · Germany  
Tel. +49 6151 803-0 · Fax: +49 6151 803-9100  
Email: [info@hbm.com](mailto:info@hbm.com) · [www.hbm.com](http://www.hbm.com)

measure and predict with confidence

