

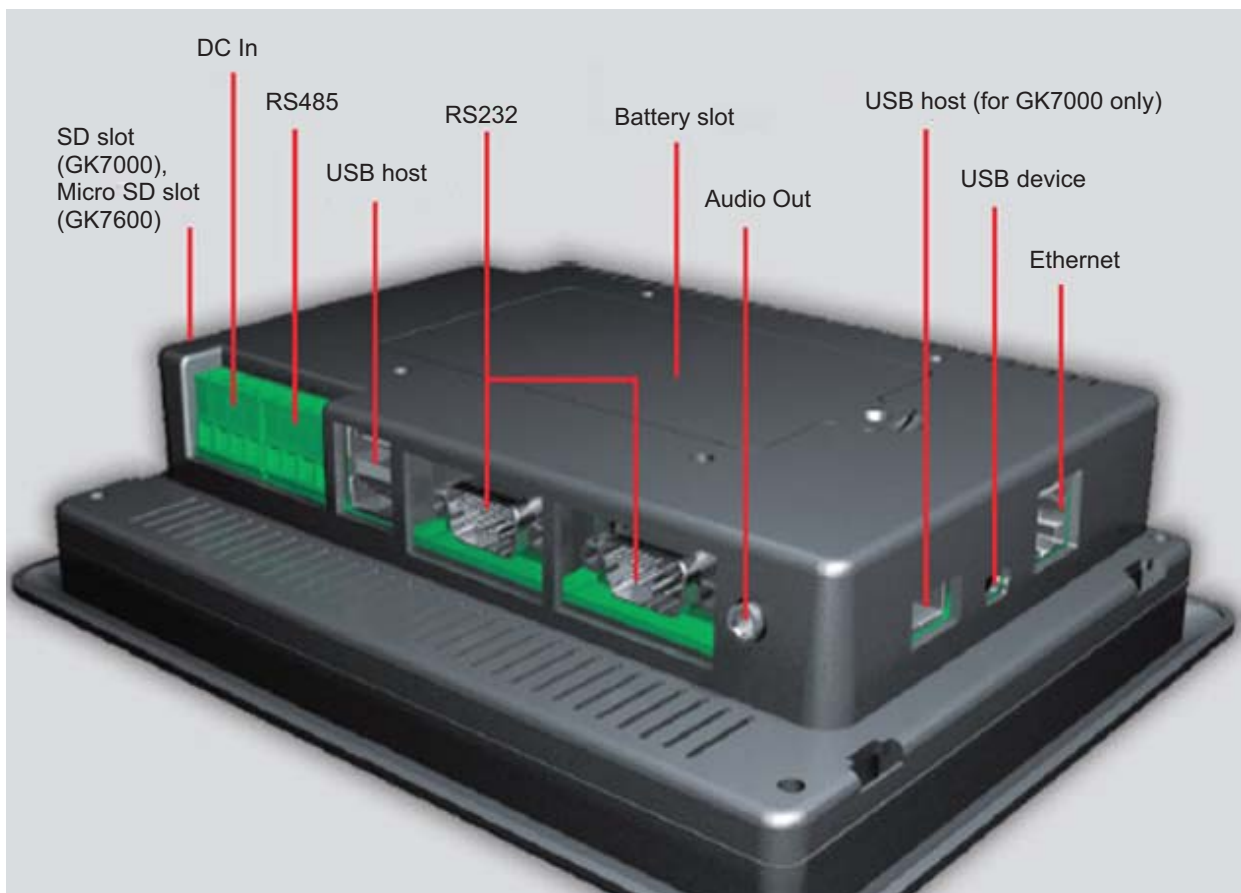


## GK7000, GK7600

External display and control unit for process controllers from the MP85 series

### Special features

- Display and storage of joining, press-fitting and testing processes
- Graphic presentation of all measured values and press-fit curves with OK/NOK decision and statistics feature
- Parameterization and control of the MP85 amplifier series via Ethernet interface
- No fan, maintenance free, low installation depth
- Mobile operation via optional rechargeable battery

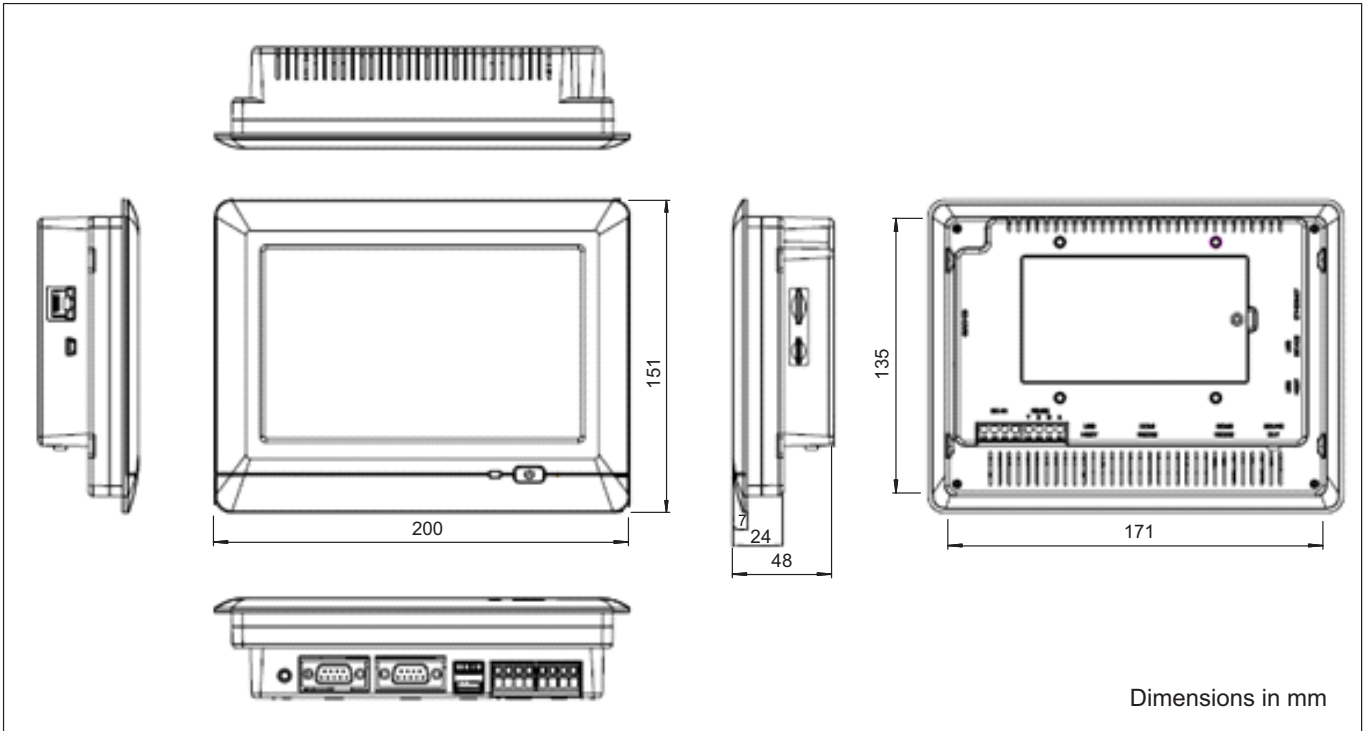


## Specifications

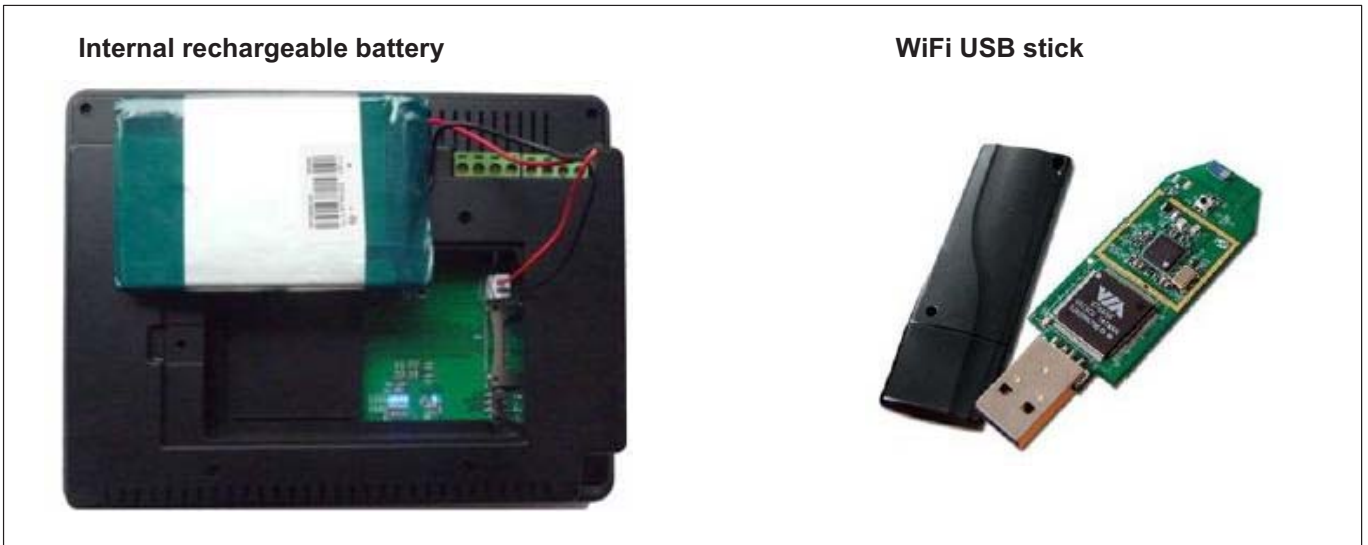
Type		GK7000	GK7600
<b>Display</b>		7" TFT color screen	
<b>Resolution</b>	Pixels	800 x 480 ( 260000 colors)	
<b>Active screen area (w x h)</b>	mm	150 x 90	
<b>Front panel</b>		Plexiglas	
<b>Operation</b>		Touchscreen software interface	
<b>User levels of EASYmonitorCE software</b>		Password protection is available for certain setting dialogs	
<b>Dialog of EASYmonitorCE software (languages)</b>		Switch between English, German and French	
<b>Supply voltage</b>	V <sub>DC</sub>	10 ... 24	9 ... 36 (without battery) 11 ... 36 (with battery)
<b>Power consumption, max.</b>	W	8	7 (without battery) 9 (with battery)
<b>Electrical connection</b>		Screw terminal (4-pin) for power supply and RS485	
<b>Processor</b>		ARM9 32-bit 400 MHz	ARM Cortex-A8, CPU TI 3352 600 MHz
<b>Memory</b>		64 MB flash, 128 MB SDRAM	ROM: 4 GB eMM flash RAM: DDR3-512 MB
<b>Operating system</b>		OS: Windows CE6.0 EVC & Net Framework 2.0	OS: Windows Embedded Compact7/ Linux Debian 7.0; EVC & Net Framework 2.0
<b>Interfaces</b>		10/100 MBit Ethernet; 3 x USB host 1.1 USB I/F (ActivSync) 1x RS485 + 1 x RS232 SD card slot (up to 4 GB card) Audio output Internal speaker Keyboard and mouse support	10/100 MBit Ethernet; USB device 2.0×1, USB host 2.0×2 RS232×2/RS422×1 (or RS485×1) SIM and Micro SD card Audio output Internal speaker Keyboard and mouse support
<b>Vibration resistance</b> 10 ... 55 Hz, duration 30 min, deflection 1 mm	m/s <sup>2</sup>	60	
<b>Impact</b>		Device packaged, dropped from height of 80 cm	
<b>Nominal (rated) temperature range</b>	°C	0 ... +50	
<b>Storage temperature range</b>	°C	-20 ... +70	-30 ... +70 (without battery) -10 ... +60 (with battery)
<b>Rel. air humidity, max.</b>	%	90 (non-condensing), at +70°C	
<b>Dimensions</b>	mm	200 x 151 x 48 (W x H x D)	
<b>Installation</b>		4 fastening brackets	
<b>Cutout in panel frame</b>	mm	171 x 135 (W x H)	
<b>IP rating</b>		IP52 on front, IP20 on back	
<b>Weight, approx.</b>	g	550 without battery, 610 with battery	516 without battery, 610 with battery
<b>EMC conformity</b>		In accordance with EN55022:2006+A1:2007, EN55024:1998+A1:2001+A2:2003 EN61000-3-2+A1:2009+A2:2009 and EN61000-3-3:2008 In accordance with EN 55022:2006+A1:2007, EN 55024:1998+A1:2001+A2:2003 EN 61000-3-2+A1:2009+A2:2009 and EN 61000-3-3:2008	

HBM's EASYmonitorCE software is pre-installed on the device and launches automatically on startup. The display and control unit (terminal) allows easy graphic presentation and simple parameterization of the MP85 amplifier series. The display terminal is operated using the touchscreen software interface.

## GK7000 and GK7600 dimensions



## Options



Subject to modifications.  
All product descriptions are for general information  
only. They are not to be understood as a guarantee  
of quality or durability.

**Hottinger Baldwin Messtechnik GmbH**  
Im Tiefen See 45 · 64293 Darmstadt · Germany  
Tel. +49 6151 803-0 · Fax +49 6151 803-9100  
Email: [info@hbm.com](mailto:info@hbm.com) · [www.hbm.com](http://www.hbm.com)

**measure and predict with confidence**

