

DATA SHEET

1-KAB146-6, KAB-M

Cable for multicomponent transducer

SPECIAL FEATURES

- 6-wire sensor cable
- Oil-resistant, UV-resistant and Skydrol-resistant (type 0228)
- 6-pin connector, suitable for MCS10

1-KAB146-6

- Standard cable; cable type 0228; length 6 m; free ends

KAB-M

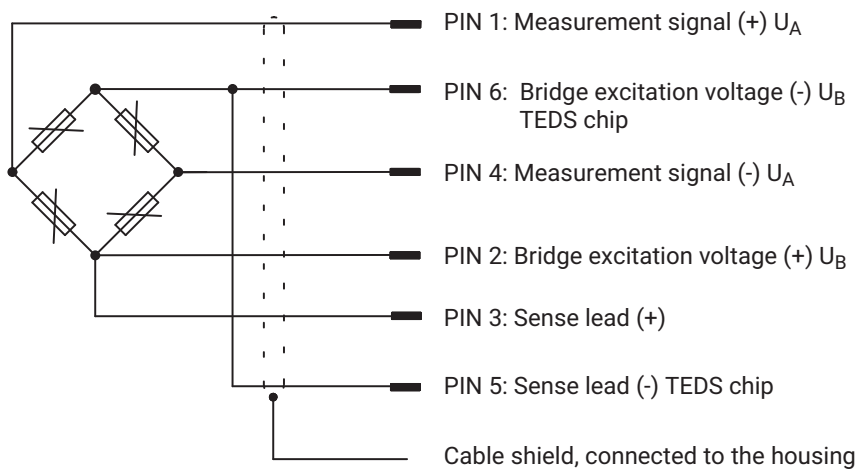
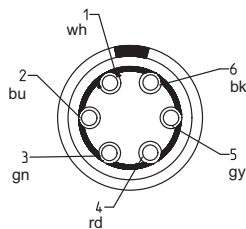
- Cable suitable for drag chains (type 0151) available
- Type, length and cable ends configurable



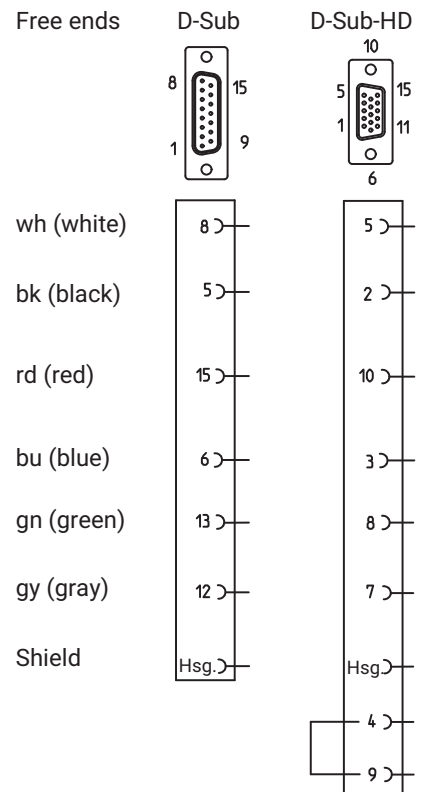
ASSIGNMENT

Transducer assignment

6-pin



Amplifier assignment

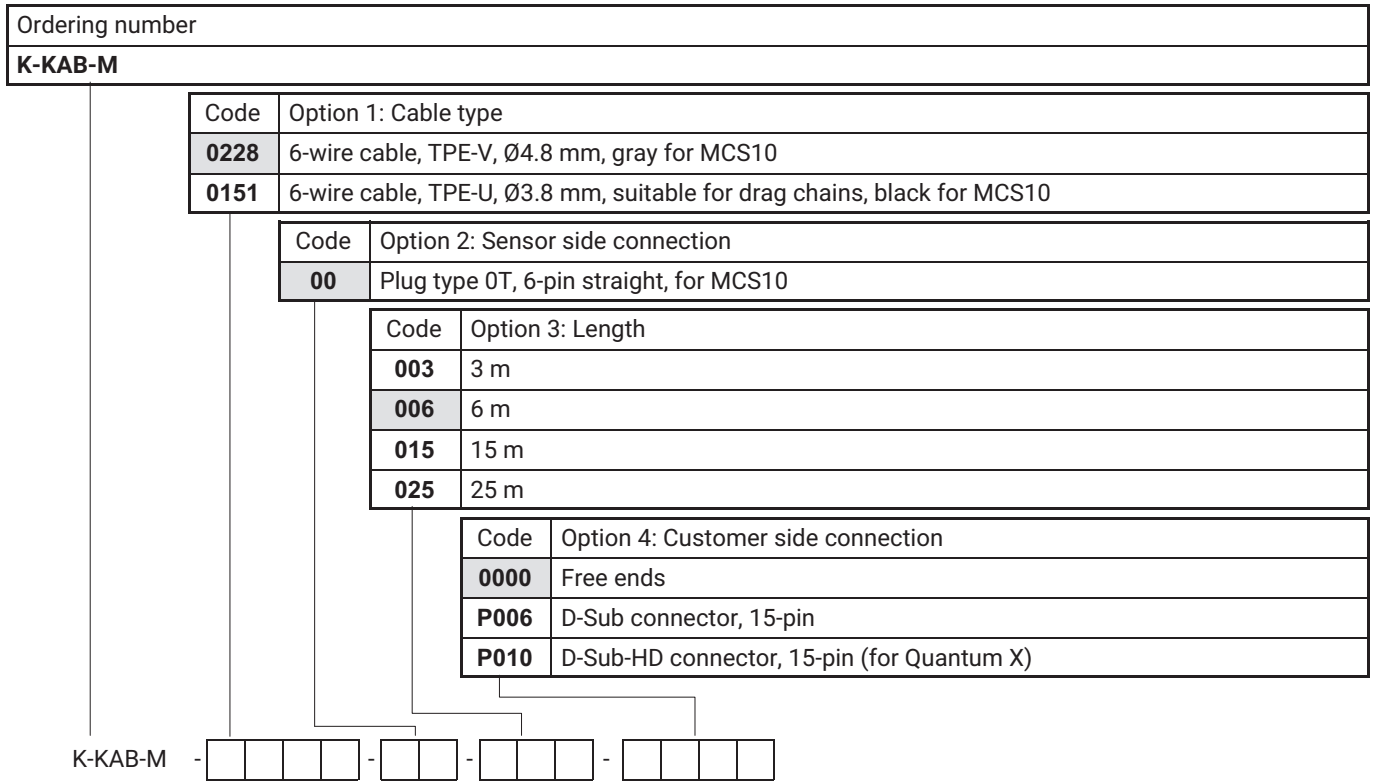


SPECIFICATIONS

Type		1-KAB146-6 / KAB-M	KAB-M
Cable type		0228	0151
Sheath material		TPE-V	TPE-U
Sheath color		slate gray	black
Outside diameter	mm	4.8±0.2	3.8±0.2
Core insulation		TPE	PET
Number of cores		6	6
Core cross-section	mm ²	0.14	0.15
Thermal stability			
Moving	°C	-25 ... +105	-25 ... +90
Fixed		-40 ... +105	-50 ... +90
Capacitance			
Core - core	pF/m	< 80	< 120
Core - shield		< 130	< 200
Minimum bending radius			
Moving		10 x D	10 x D
Fixed		5 x D	5 x D
Halogen-free		Yes	Yes
Suitability inspection for drag chains		-	3 million cycles: Acceleration: 20m/s ² Speed: 4m/s Chain radius: 45 mm Distance traversed: 2m
Inspection for torsion resistance		-	Every 3 million cycles 1m length to 90° 1m length to 180°

The standard cable 1-KAB146-6 is cable type 0228, 6m long and with free ends.

ORDERING OPTIONS FOR KAB-M



Preferred version available as 1-KAB146-6.