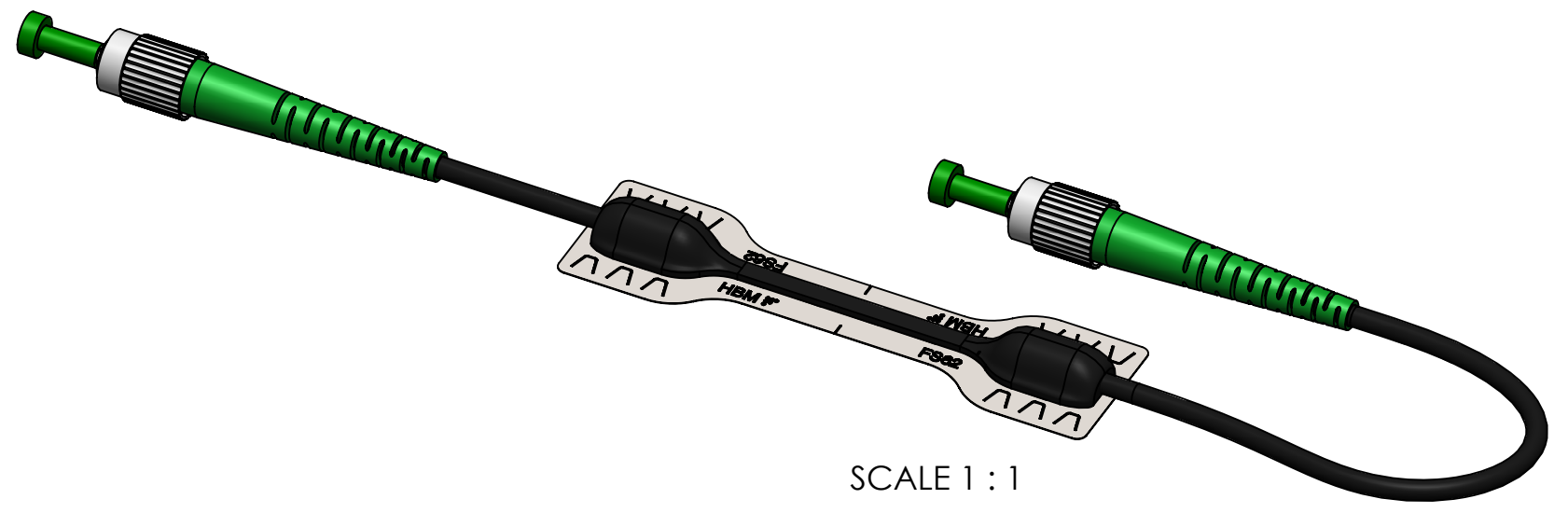


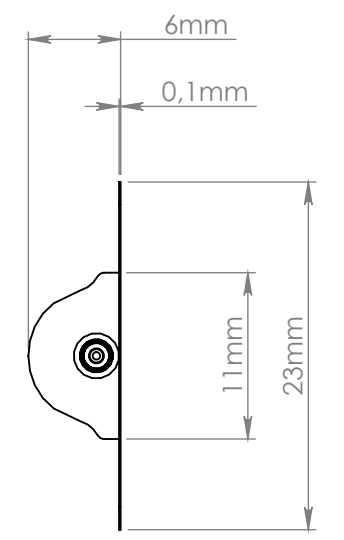
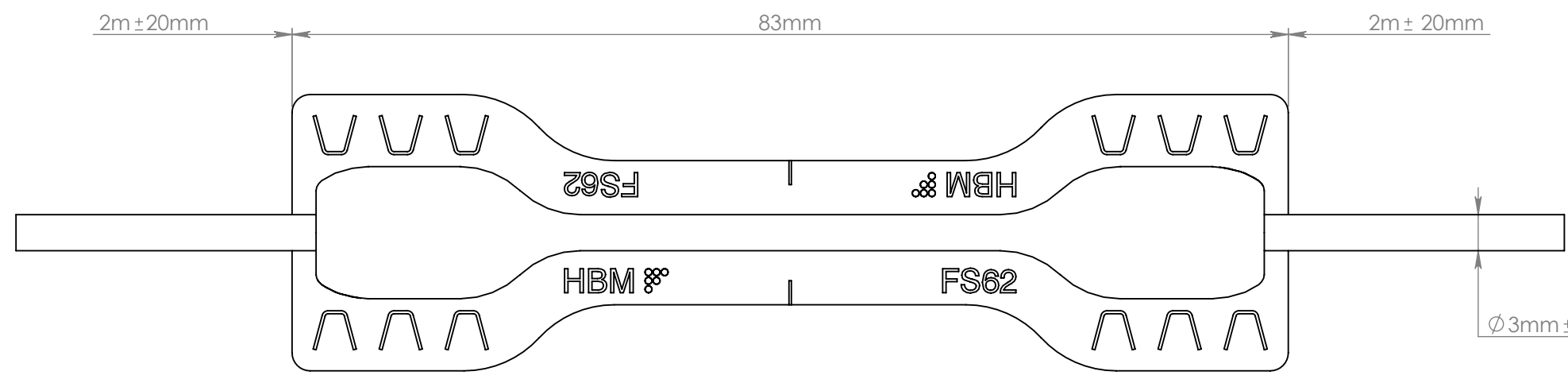
8 7 6 5 4 3 2 1

D
C
B
A

D
C
B
A



SCALE 1 : 1



ALL DIMENSIONS ARE METRIC UNLESS OTHERWISE SPECIFIED

TOLERANCES UNLESS OTHERWISE SPECIFIED	
METRIC	.X ± .5
	.XX ± .2
ANGULAR	X° ± 1°



Rua Vasconcelos Costa, 277
4470-640 Maia
Portugal
Tel: (+351) 22 961 30 10
Fax: (+351) 22 961 30 20

PROPRIETARY AND CONFIDENTIAL THE INFORMATION CONTAINED IN THIS DRAWING IS THE SOLE PROPERTY OF HBM FIBERSENSING, S.A. ANY USE OR REPRODUCTION WITHOUT THE WRITTEN PERMISSION OF HBM FIBERSENSING, S.A. IS PROHIBITED.	DVS NUMBER	DESIGN BY	DATE	ASM NAME	
	B4565-2.0 en	MARTA GIRÃO	08-05-2017	FS62 - Weldable Strain Sensor	
	REMOVE ALL BURRS AND SHARP EDGES 0.05 R AND CHAMFER MAX		SIZE	ASM NUMBER	VER
		B	K-FS62-20-11-x02	2.0	2:1
		SHEET			
		1 OF 1			

8 7 6 5 4 3 2 1