

DIS2116

Legal-for-trade
digital scale electronics

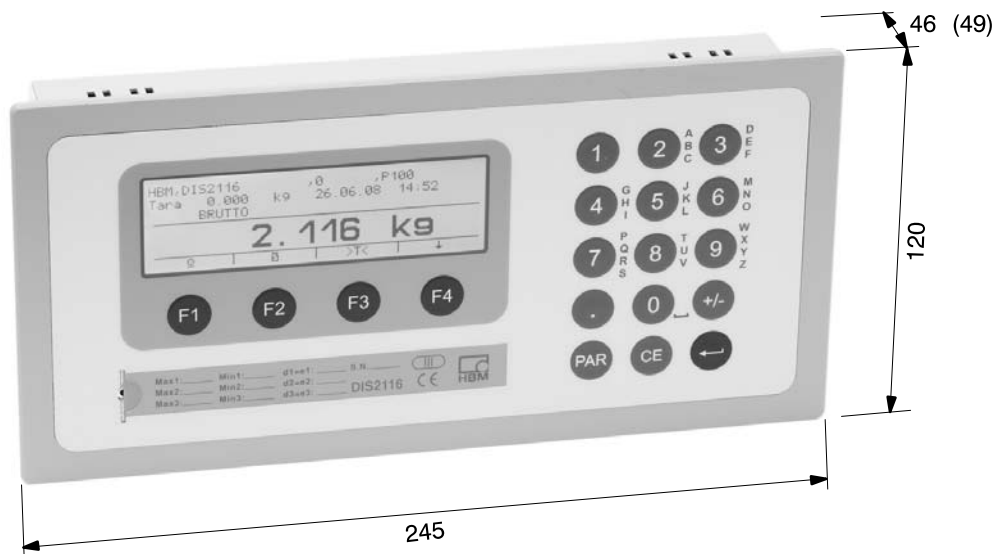


DIS2116 with desktop housing, also for wall mounting

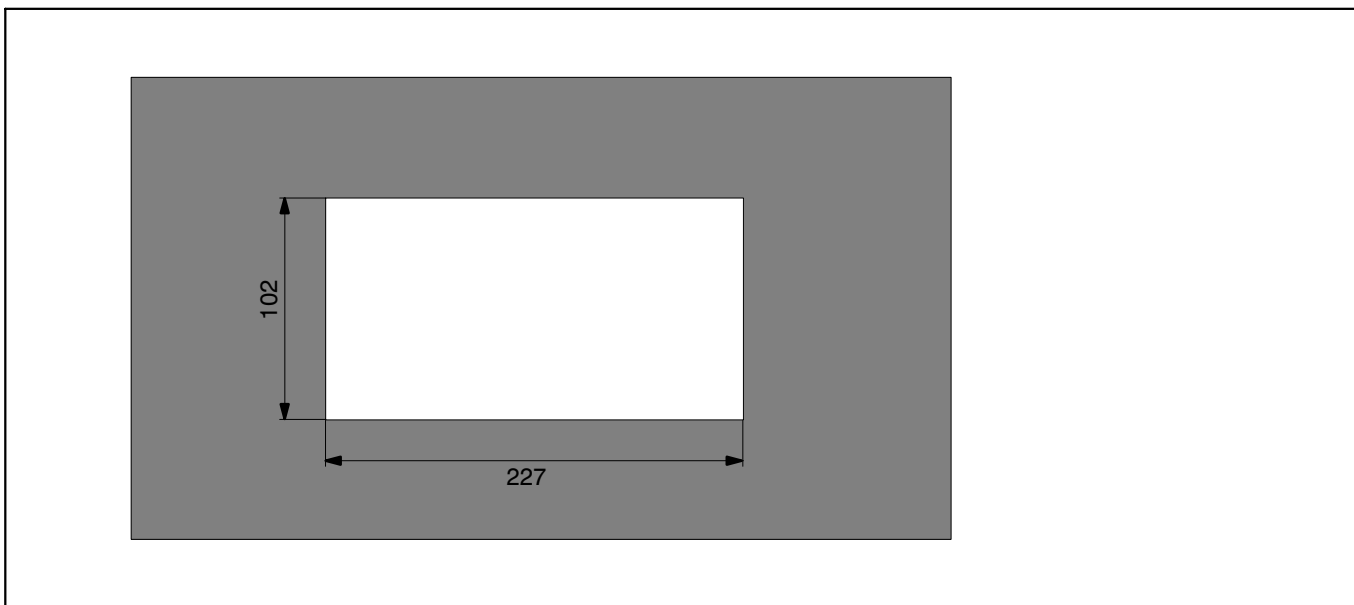
Special features

- For connection of digital load cells
- Alibi memory for print data and settings
- Encrypted data transfer from load cell to DIS2116
- COM-Port for a printer (RS232 or USB)
- PS2 connection for external keyboard
- Database function for check-in and check-out scales
- Additional interfaces for data exchange of host systems
- Eight European menu languages selectable

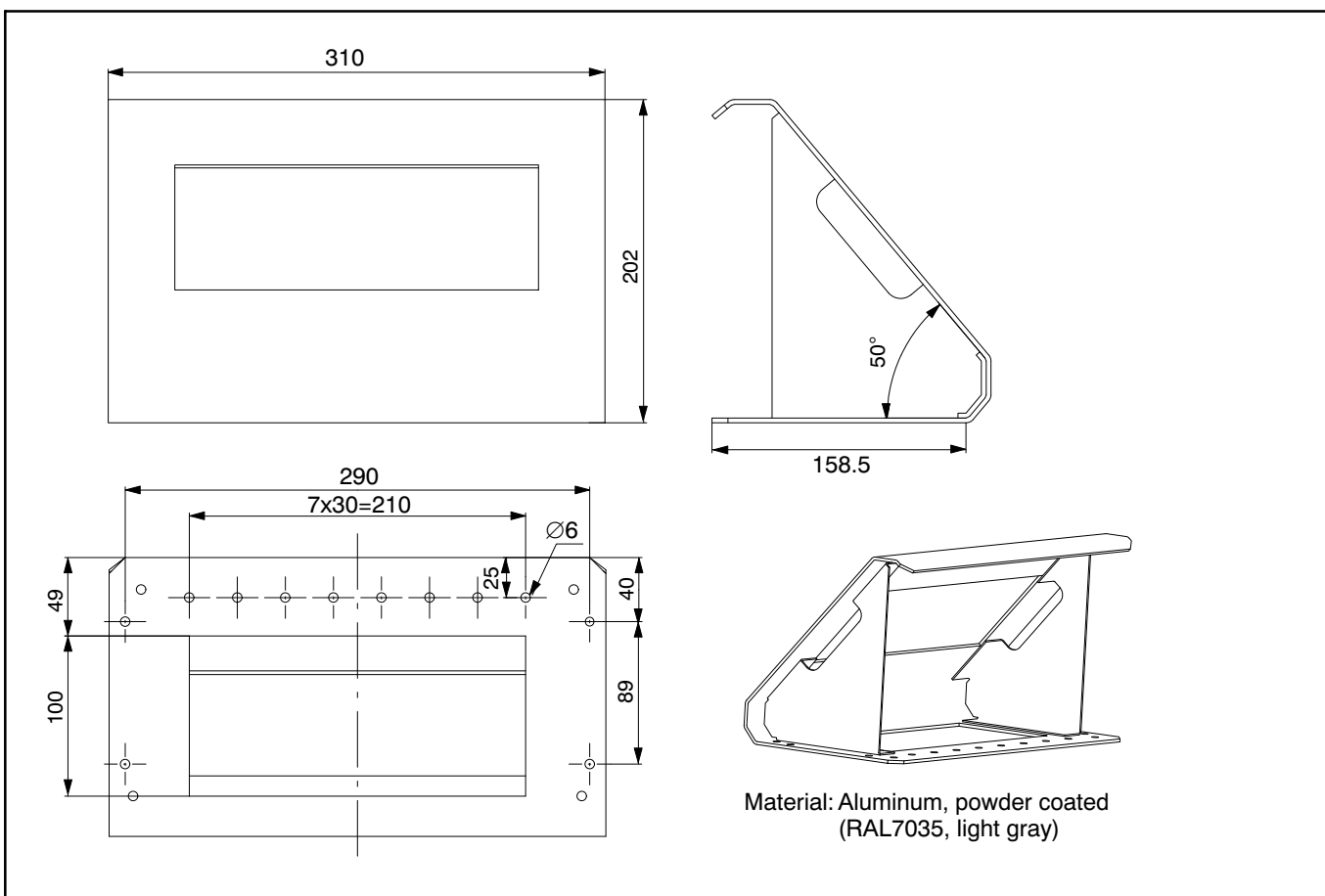
Dimensions (in mm; 1 mm= 0.03937 inches)



Dimensions (Cutout in the panel-frame)



Dimensions (desktop housing, also for wall mounting)



Specifications

Type		DIS2116
NAWI (non automatic weighing indicator)		
Voltage supply UB		
Range	V _{DC}	10 ... 30 (24 nominal)
Power consumption (without outputs)	W	0.88
Current consumption (with 24 V)	mA	40
Load cell connection		
RS485 interface COM1		
Supply voltage OUT1	V _{DC}	10 ... 30
Output current	A	< 1
Supply voltage OUT3 (C16i)	V _{DC}	10 ... 17
Output current	A	< 1
Maximum cable length	m	see table in the annex to the specifications
Display		
LCD with backlighting and status symbols	Pixel	240x64
Character height (measured value)	mm	8
Output rate	/ s	5
Keys		
Number		15
Function keys		4
Serial interface (COM1), Load cells		
Baud rate	Bd	9600, ..., 115200
Parity bit		even
Data bits	Bit	8
Stop bit	Bit	1
Type		RS485 (2/4-wire)
RS485, 2-wire, signals		TRxA, TRxB
RS485, 4-wire, signals	-	TRA, TRB, TXA, TXB
Max. cable length RS485	m	500
Serial interface (COM2), PC/PLC		
Baud rate	Bd	1200, ..., 115200
Parity bit		Even, odd, none
Data bits	Bit	8
Stop bit	Bit	1
Type		RS232
RS232, signals		RxD, TxD, GND
Max. cable length RS232	m	25
Serial interface (COM3), Printer		
Baud rate (RS232)	Bd	1200, ..., 115200
Parity bit (RS232)		Even, odd, none
Data bits (RS232)	Bit	8
Stop bit (RS232)	Bit	1
Type		RS232
RS232, signals		RxD, TxD, GND, DTR
Max. cable length RS232	m	25
USB (COM3), Printer		
Max. cable length	m	5
Printer language		PCL1 ... 5
Serial interface (COM4), Second display		
Baud rate	Bd	1200, ..., 115200
Parity bit		Even, odd, none
Data bits	Bit	8
Stop bit	Bit	1
Type		RS232
RS232, signals		RxD, TxD, GND, DTR
Max. cable length RS232	m	25

Specifications (Continuation)

PS2 interface, standard keyboard		
Output current	mA	< 100
Ambient conditions		
Temperature range		
Nominal temperature range	°C [°F]	-10 ... +50 [14 ... 122]
Operating temperature range	°C [°F]	-20 ... +60 [-4 ... 140]
Storage temperature range	°C [°F]	-30 ... +80 [-22 ... 176]
Relative humidity, non-condensing		
in operation	%	20 ... 85
Storage	%	10 ... 90
DIS2116 housing		
Degree of protection per EN 60529 (IEC 529)		IP20
Degree of protection per EN 60529 (IEC 529) for front panel when installed		IP65
Material		Aluminum
Weight, approx.	g	540

The DIS2116 is not sensitive to HF irradiation and conducted interference in accordance with OIML R 76, EN 45501:1992(B3), EN 61326: 2006 emission (EME) class B, Immunity from interference: industrial environment.

Maximum cable lengths¹⁾ between DIS2116 and C16i load cell(s)

If the supply voltage of the DIS2116 is less than 17 V, the digital load cells can be directly supplied from the scale electronics. Please note the below table for dimensioning. With a nominal (rated) supply voltage of 24 V, the load cells require a separate voltage supply.

		Nominal (rated) voltage 12 V _{DC}			Nominal (rated) voltage 15 V _{DC}		
		Core cross section (mm ²)					
		0.14	0.25	0.5	0.14	0.25	0.5
Number of load cells	Total Power consumption (mA)	Cable length (m)					
1	50	393	500	500	500	500	500
2	100	197	350	500	315	500	500
3	150	131	234	468	210	375	500
4	200	98	176	351	157	281	562
6	300	66	117	234	105	187	375
8	400	49	88	176	79	140	281
10	500	39	70	140	63	112	225
12	600	33	59	117	52	94	187
16	800	25	44	88	39	70	140

¹⁾ Cable length up to max. 500m.

Accessories

Included in the scope of supply:

- System-CD-ROM 1-DIS2116-DOC, with Communication Protocol for PC and documentation

To be ordered separately:

- Power supply unit AC/DC15 V / 530mA (for max. 8 load cells)
- Desktop or wall mounted housing, 1-TG2116

Modifications reserved.

All details describe our products in general form only. They are not to be understood as express warranty and do not constitute any liability whatsoever.

Hottinger Baldwin Messtechnik GmbH

Im Tiefen See 45 · 64293 Darmstadt · Germany
 Tel. +49 6151 803-0 · Fax: +49 6151 803-9100
 Email: info@hbm.com · www.hbm.com

measure and predict with confidence

