

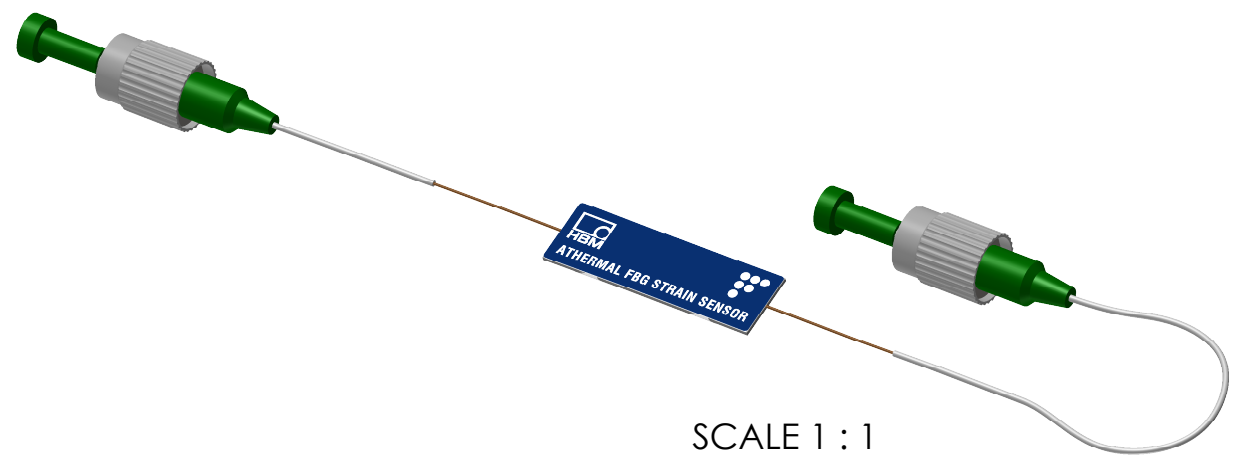
8 7 6 5 4 3 2 1

D D

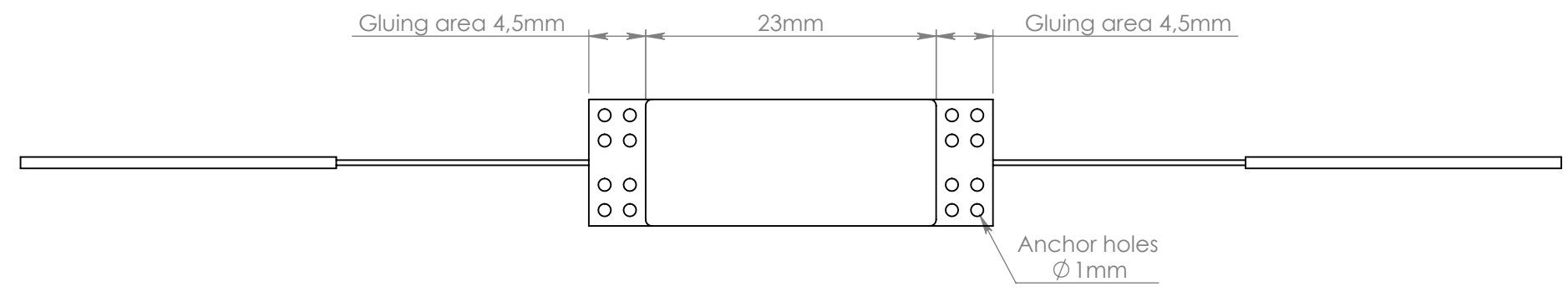
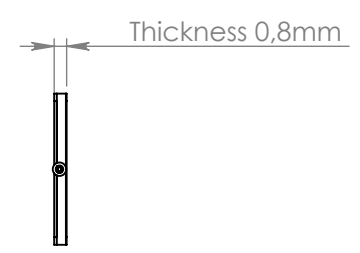
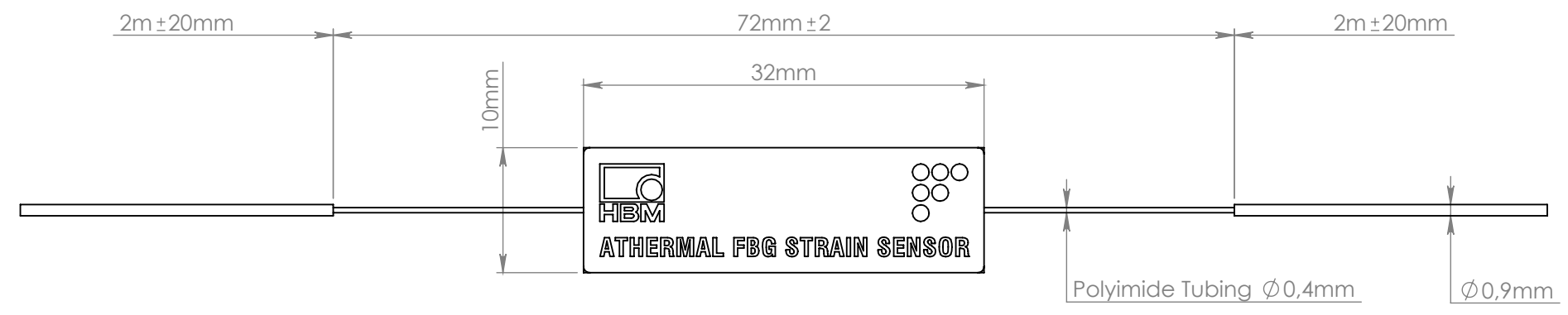
C C

B B

A A



SCALE 1 : 1



ALL DIMENSIONS ARE METRIC UNLESS OTHERWISE SPECIFIED

TOLERANCES UNLESS OTHERWISE SPECIFIED	
METRIC	.X ± .5
	.XX ± .2
ANGULAR	X° ± 1°



Rua Vasconcelos Costa, 277
4470-640 Maia
Portugal
Tel: (+351) 22 961 30 10
Fax: (+351) 22 961 30 20

b4562-10 en

PROPRIETARY AND CONFIDENTIAL

THE INFORMATION CONTAINED IN THIS DRAWING IS THE SOLE PROPERTY OF HBM FIBERSENSING, S.A. ANY USE OR REPRODUCTION WITHOUT THE WRITTEN PERMISSION OF HBM FIBERSENSING, S.A. IS PROHIBITED.

MATERIAL	DESIGN BY	DATE	ASM NAME
FINISH	MARTA GIRÃO	20-07-2016	FS62 - Athermal Strain Sensor (Standard)
REMOVE ALL BURRS AND SHARP EDGES 0.05 R AND CHAMFER MAX	SIZE	B	ASM NUMBER
	SHEET	1 OF 1	K-FS62-15-11-102
	VER	1.0	SCALE
			2:1

8 7 6 5 4 3 2 1