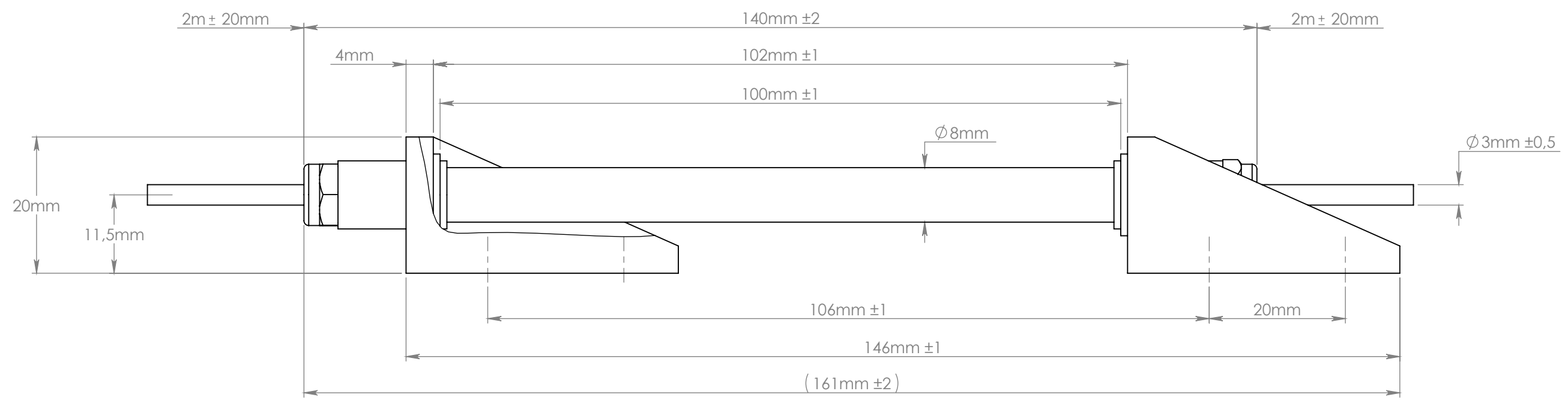


SCALE 1 : 1.5



ALL DIMENSIONS ARE METRIC UNLESS OTHERWISE SPECIFIED
 TOLERANCES UNLESS OTHERWISE SPECIFIED
 SPECIFIED X ± .5
 METRIC .XX ± .2
 ANGULAR X° ± 1°

b4566-10 en

PROPRIETARY AND CONFIDENTIAL
 THE INFORMATION CONTAINED IN THIS DRAWING IS THE SOLE PROPERTY OF HBM FIBERSENSING, S.A. ANY USE OR REPRODUCTION WITHOUT THE WRITTEN PERMISSION OF HBM FIBERSENSING, S.A. IS PROHIBITED.

MATERIAL
 FINISH
 REMOVE ALL BURRS AND SHARP EDGES
 0.05 R AND CHAMFER MAX

DESIGN BY
 MARTA GIRÃO
 DATE
 21-07-2016
 SIZE
 B
 SHEET
 1 OF 1



Rua Vasconcelos Costa, 277
 4470-640 Maia
 Portugal
 Tel: (+351) 22 961 30 10
 Fax: (+351) 22 961 30 20

ASM NAME
FS62 – Surface Mountable Strain Sensor
 ASM NUMBER
K-FS62-30-11-302
 VER
1.0
 SCALE
1.5:1