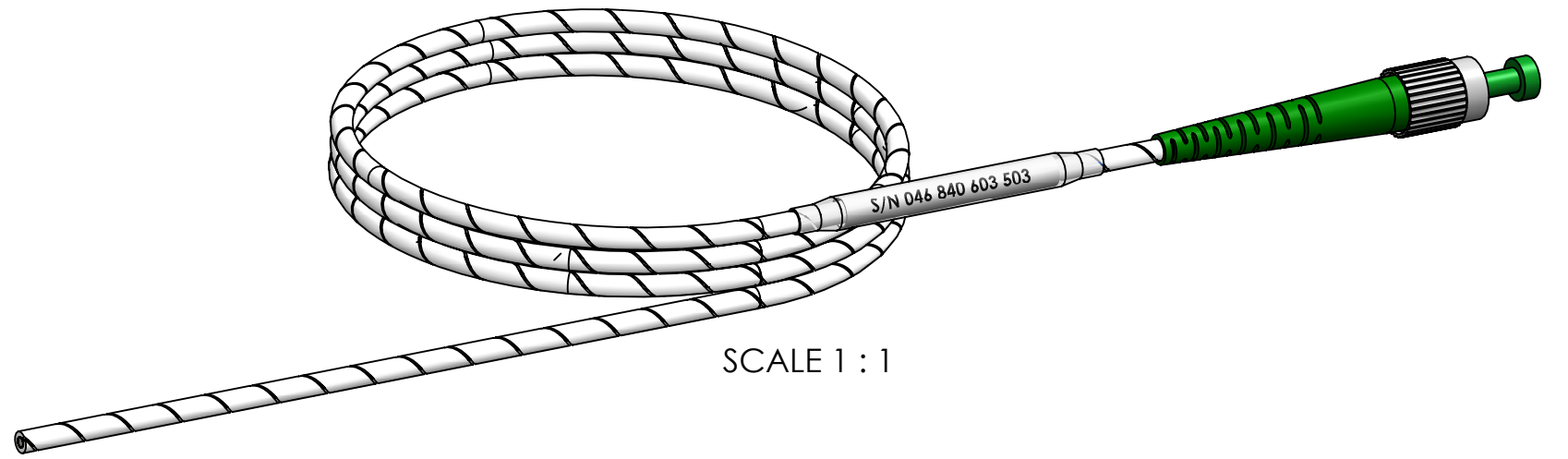


8 7 6 5 4 3 2 1

D

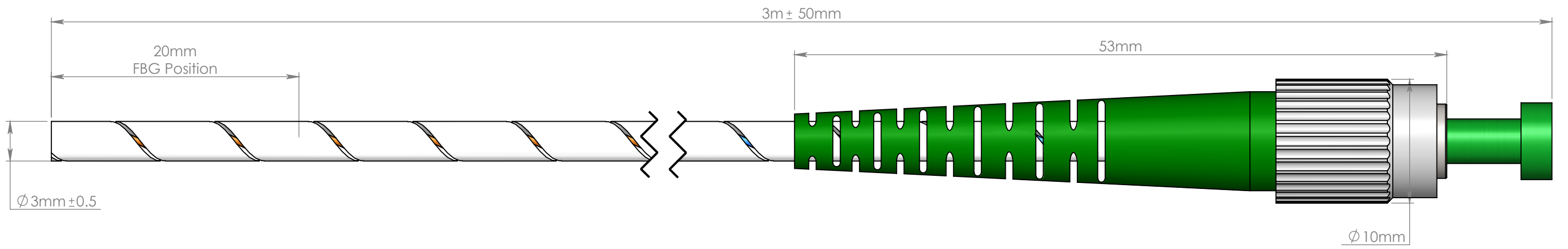
D



SCALE 1 : 1

C

C



B

B

A

A

b4568-10 en

**PROPRIETARY AND CONFIDENTIAL**  
 THE INFORMATION CONTAINED IN THIS DRAWING IS THE SOLE PROPERTY OF HBM FIBERSENSING, S.A. ANY USE OR REPRODUCTION WITHOUT THE WRITTEN PERMISSION OF HBM FIBERSENSING, S.A. IS PROHIBITED.

ALL DIMENSIONS ARE METRIC UNLESS OTHERWISE SPECIFIED	
TOLERANCES UNLESS OTHERWISE SPECIFIED	
METRIC	.X ± .5 .XX ± .2
ANGULAR	X° ± 1°

		Rua Vasconcelos Costa, 277 4470-640 Maia Portugal Tel: (+351) 22 961 30 10 Fax: (+351) 22 961 30 20	
DESIGN BY	DATE	ASM NAME	
MARTA GIRÃO	01-08-2016	<b>FS63 - High Temperature Dielectric Probe</b>	
	SIZE	ASM NUMBER	VER
REMOVE ALL BURRS AND SHARP EDGES 0.05 R AND CHAMFER MAX	B	<b>K-FS63-08-01-703</b>	<b>1.0</b>
	SHEET		SCALE
	1 OF 1		3:1

8 7 6 5 4 3 2 1