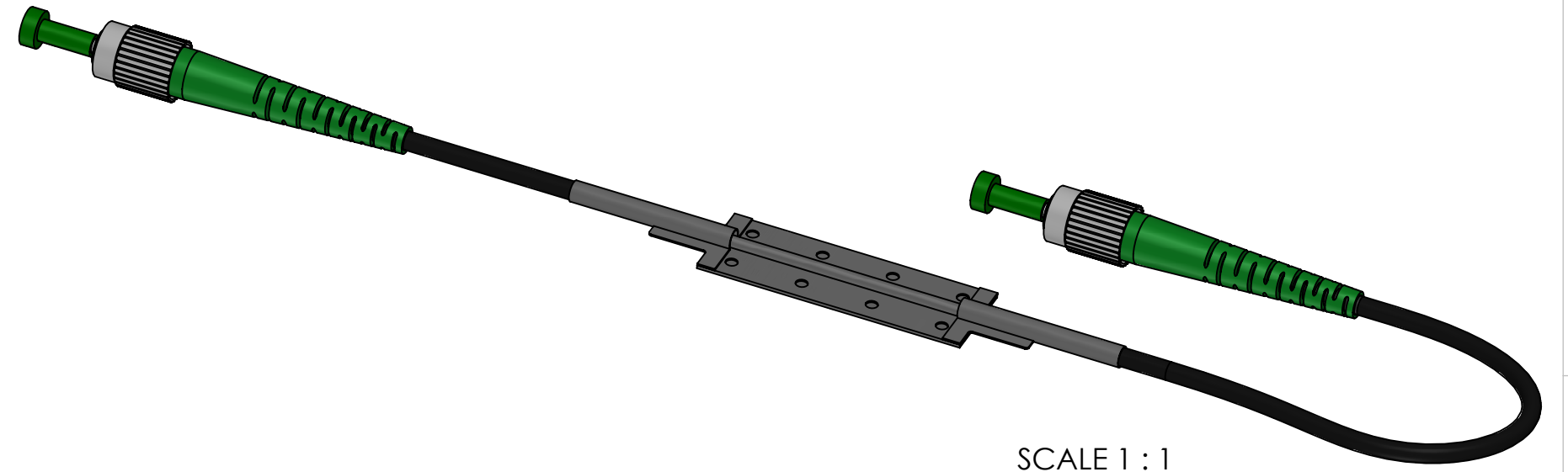


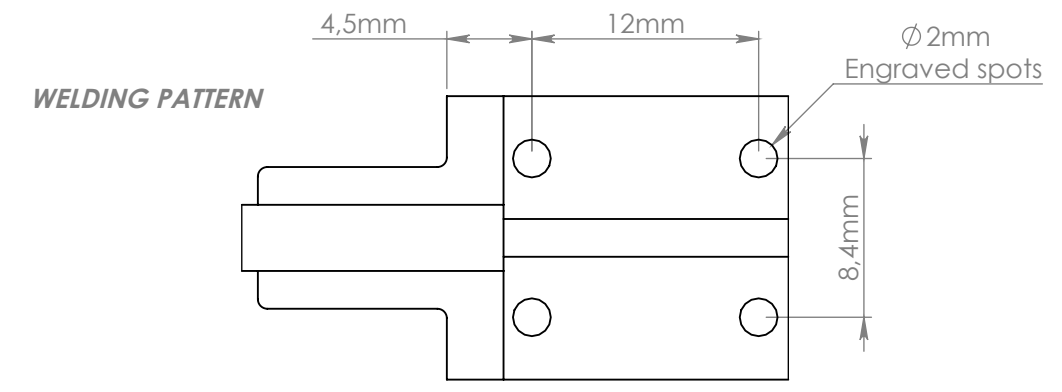
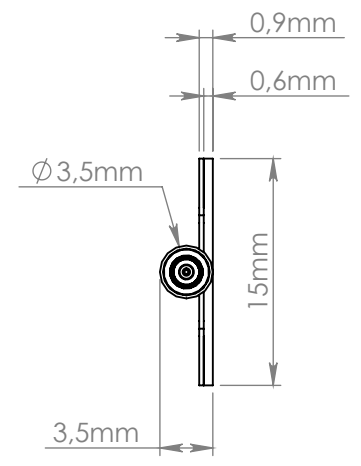
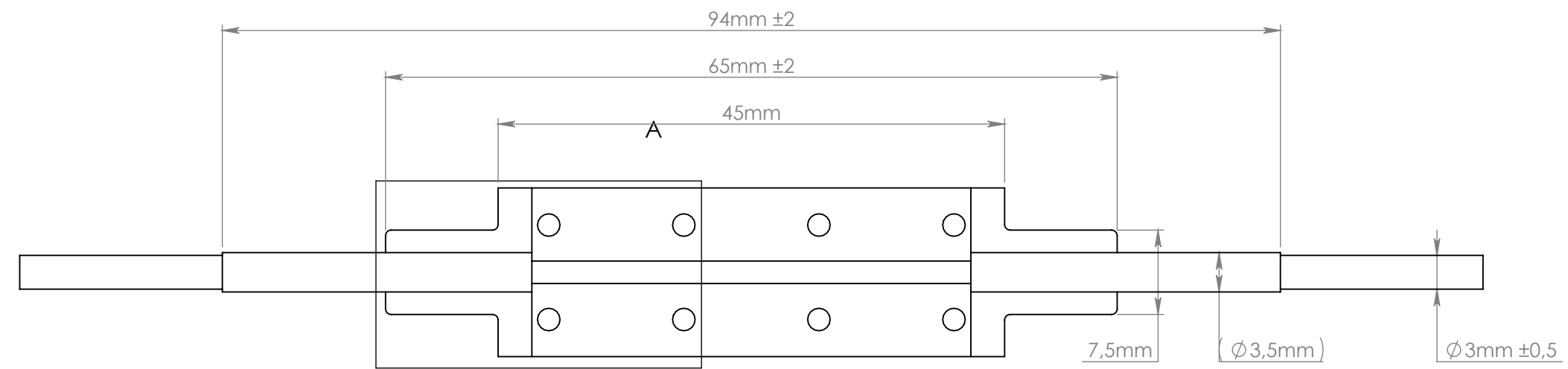
8 7 6 5 4 3 2 1

D  
C  
B  
A

D  
C  
B  
A



SCALE 1 : 1



DETAIL A  
SCALE 2.5 : 1

b4571-10 en

ALL DIMENSIONS ARE METRIC UNLESS OTHERWISE SPECIFIED  
TOLERANCES UNLESS OTHERWISE SPECIFIED  
SPECIFIED X ± .5  
METRIC .XX ± .2  
ANGULAR X° ± 1°



Rua Vasconcelos Costa, 277  
4470-640 Maia  
Portugal  
Tel: (+351) 22 961 30 10  
Fax: (+351) 22 961 30 20

**PROPRIETARY AND CONFIDENTIAL**  
THE INFORMATION CONTAINED IN THIS DRAWING IS THE SOLE PROPERTY OF HBM FIBERSENSING, S.A. ANY USE OR REPRODUCTION WITHOUT THE WRITTEN PERMISSION OF HBM FIBERSENSING, S.A. IS PROHIBITED.

MATERIAL  
FINISH  
REMOVE ALL BURRS AND SHARP EDGES  
0.05 R AND CHAMFER MAX

DESIGN BY  
MARTA GIRÃO  
DATE  
26-07-2016  
SIZE  
B  
SHEET  
1 OF 1

ASM NAME	<b>FS63 - Weldable Temperature Sensor</b>	VER	<b>1.0</b>	SCALE	<b>2:1</b>
ASM NUMBER	<b>K-FS63-20-11-302</b>				

8 7 6 5 4 3 2 1