

ENGLISH DEUTSCH FRANÇAIS ITALIANO

Mounting Instructions Montageanleitung Notice de montage Istruzioni per il montaggio



U93

Hottinger Brüel & Kjaer GmbH
Im Tiefen See 45
D-64293 Darmstadt
Tel. +49 6151 803-0
Fax +49 6151 803-9100
info@hbkworld.com
www.hbkworld.com

Mat.: 7-0111.0005
DVS: A02081 03 Y10 02
04.2022

© Hottinger Brüel & Kjaer GmbH

Subject to modifications.
All product descriptions are for general information only. They are not to be understood as a guarantee of quality or durability.

Änderungen vorbehalten.
Alle Angaben beschreiben unsere Produkte in allgemeiner Form. Sie stellen keine Beschaffenheits- oder Haltbarkeitsgarantie dar.

Sous réserve de modifications.
Les caractéristiques indiquées ne décrivent nos produits que sous une forme générale. Elles n'impliquent aucune garantie de qualité ou de durabilité.

Con riserva di modifica.
Tutti i dati descrivono i nostri prodotti in forma generica e non implicano alcuna garanzia di qualità o di durata dei prodotti stessi.

ENGLISH DEUTSCH FRANÇAIS ITALIANO

Mounting Instructions



U93

TABLE OF CONTENTS

1	Safety Instructions	3
2	Scope of supply	7
3	Application instructions	8
4	Structure and mode of operation	9
4.1	Measuring body	9
4.2	Strain gage covering	9
5	Conditions on site	9
5.1	Ambient temperature	9
5.2	Moisture and humidity	9
5.3	Deposits	10
6	Mechanical installation	11
6.1	Important precautions during installation	11
6.2	General installation guidelines	11
6.3	Mounting for tensile/compressive loading	12
7	Electrical connection	14
7.1	Notes on cabling	14
7.2	Assignment of cable wires	14
7.2.1	Connecting to terminals	15
7.2.2	Connecting to a plug	15
7.3	TEDS transducer identification	16
8	Specifications (VDI/VDE 2638)	17
9	Dimensions	19
10	Options	20

1 SAFETY INSTRUCTIONS

Designated use

The force transducers in the U93 type series are solely designed for measuring (static and dynamic) tensile and dynamic compressive forces within the load limits specified by the technical data for the respective maximum capacities. Any other use is not the designated use.

To ensure safe operation, the regulations in the mounting instructions, together with the following safety requirements, and the data specified in the technical data sheets, must be complied with. It is also essential to observe the applicable legal and safety regulations for the application concerned.

The force transducers are not intended for use as safety components. Please also refer to the section: "Additional safety precautions". Proper and safe operation of the force transducer requires proper transportation, correct storage, siting and mounting, and careful operation.

Loading capacity limits

The data in the technical data sheet must be complied with when using the force transducer. In particular, the respective maximum loads specified must never be exceeded. The following limits set out in the technical data sheets must not be exceeded

- Limit loads
- Lateral load limits
- Breaking loads
- Permissible dynamic loads
- Temperature limits
- Limits of electrical loading capacity

Please note that when several force transducers are interconnected, the load/force distribution is not always uniform.

Use as a machine element

The force transducers can be used as machine elements. When used in this manner, it must be noted that, to favor greater sensitivity, the force transducer cannot be designed with the safety factors usual in mechanical engineering. Please refer here to the section "Loading capacity limits", and to the specifications.

Accident prevention

The prevailing accident prevention regulations must be taken into account, even though the nominal (rated) force values in the destructive range are well in excess of the full scale value.

Additional safety precautions

The force transducers cannot (as passive transducers) implement any (safety-relevant) cutoffs. This requires additional components and constructive measures for which the installer and operator of the plant is responsible.

In cases where a breakage or malfunction of the force transducer would cause injury to persons or damage to equipment, the user must take appropriate additional safety measures that meet at least the requirements of applicable safety and accident prevention regulations (e.g. automatic emergency shutdown, overload protection, catch straps or chains, or other fall protection).

The layout of the electronics conditioning the measurement signal should be such that measurement signal failure does not cause damage.

General dangers of failing to follow the safety instructions

The force transducers are state-of-the-art and reliable. Transducers can give rise to residual dangers if they are incorrectly operated or inappropriately mounted, installed and operated by untrained personnel. Every person involved with siting, starting-up, operating or repairing a force transducer must have read and understood the mounting instructions and in particular the technical safety instructions. The force transducers can be damaged or destroyed by non-designated use of the force transducer or by non-compliance with the mounting and operating instructions, these safety instructions or any other applicable safety regulations (BG safety and accident prevention regulations) when using the force transducers. Force transducers can break, particularly in the case of overloading. The breakage of a force transducer can also cause damage to property or injury to persons in the vicinity of the force transducer.

If force transducers are not used according to their designated use, or if the safety instructions or specifications in the mounting and operating instructions are ignored, it is also possible that the force transducer may fail or malfunction, with the result that persons or property may be affected (due to the loads acting on or being monitored by the force transducer).

The scope of supply and performance of the transducer covers only a small area of force measurement technology, as measurements with (resistive) strain gage sensors presuppose the use of electronic signal processing. In addition, equipment planners, installers and operators should plan, implement and respond to the safety engineering considerations of force measurement technology in such a way as to minimize residual dangers. On-site regulations must be complied with at all times.

Warns of a *potentially* dangerous situation in which failure to comply with safety requirements *could* result in death or serious physical injury.

WARNING

Description of a potentially dangerous situation
Measures to avoid/prevent the danger

The marking below draws your attention to a situation in which failure to comply with safety requirements *could* lead to damage to property.

Notice

Description of a situation that could lead to damage to property

The marking below draws your attention to important information about the product or about handling the product.



Important

Important information

The marking below contains application tips or other information that is useful to you.



Tip

Information/application instruction

Conversions and modifications

The transducer must not be modified from the design or safety engineering point of view except with our express agreement. Any modification shall exclude all liability on our part for any damage resulting therefrom.

Maintenance

The U93 force transducer is maintenance free.

Disposal

In accordance with national and local environmental protection and material recovery and recycling regulations, old transducers that can no longer be used must be disposed of separately and not with normal household waste.

If you need more information about waste disposal, please contact your local authorities or the dealer from whom you purchased the product.

Qualified personnel

Qualified personnel means persons entrusted with siting, mounting, starting up and operating the product, who possess the appropriate qualifications for their function.

This includes people who meet at least one of the three following requirements:

1. Knowledge of the safety concepts of automation technology is a requirement and as project personnel, you must be familiar with these concepts
2. As automation plant operating personnel, you have been instructed how to handle the machinery. You are familiar with the operation of the equipment and technologies described in this documentation.
3. As commissioning engineers or service engineers, you have successfully completed the training to qualify you to repair the automation systems. You are also authorized to activate, ground and label circuits and equipment in accordance with safety engineering standards.

It is also essential to comply with the legal and safety requirements for the application concerned during use. The same applies to the use of accessories.

The force transducer must only be installed by qualified personnel, strictly in accordance with the specifications and with the safety requirements and regulations listed below.

2 SCOPE OF SUPPLY

- U93 force transducer
- U93 operating manual
- Manufacturing certificate

3 APPLICATION INSTRUCTIONS

The U93 type series transducers are suitable for measuring tensile and compressive forces. Because they provide highly accurate static and dynamic force measurements, they must be handled very carefully. Particular care must be taken when transporting and installing the devices. Dropping or knocking the transducers may cause permanent damage.

It is essential to provide careful sealing so that the sensitive strain gage applications are protected by the housing. Particular caution must be exercised with the base of the housing, which is very thin.

The specifications on page 17 list the permissible limits for mechanical, thermal and electrical stress. It is essential that these are taken into account when planning the measuring set-up, during installation and, ultimately, during operation.

4 STRUCTURE AND MODE OF OPERATION

4.1 Measuring body

The measuring element is a stainless steel, loaded member, to which strain gages (SG) are applied. The SG are arranged so that two are stretched and the other two compressed when a force acts on the transducer.

4.2 Strain gage covering

To protect the SG, the U93 force transducers are welded at an appropriate place with a thin metal plate. This procedure offers the SG a high protection against environmental influences. In order to retain the protective effect, this plate must not be damaged in any way; see section 6.2 on page 11.

5 CONDITIONS ON SITE

Protect the transducer from extreme moisture and dampness, weather conditions such as rain, snow and ice, and salt water.

5.1 Ambient temperature

The temperature effects on the zero signal and on the sensitivity are compensated.

To obtain optimum measurement results, the nominal (rated) temperature range must be observed. Constant, or very slowly changing temperatures are optimal. Temperature-related measurement errors are caused by heating on one side (e.g. radiant heat) or by cooling. A radiation shield and all-round thermal insulation produce noticeable improvements, but must not be allowed to set up a force shunt.

5.2 Moisture and humidity

Series U93 force transducers are hermetically weld-sealed, giving them degree of protection IP67 per DIN EN 60529 (test conditions: 100 hours under 1 m water column). Nevertheless, the force transducers must be protected against permanent moisture influence.

Notice

Moisture must not be allowed to penetrate the free end of the connection cable. Otherwise the characteristic values of the transducer could vary, and cause measurement errors.

The transducer must be protected against chemicals that could attack the transducer body steel or the cable. With stainless steel force transducers, please note that acids and all materials which release ions will also attack stainless steels and their welded seams. Should there be any corrosion, this could cause the force transducer to fail. In this case, appropriate protective measures must be implemented.

5.3 Deposits

Dust, dirt and other foreign matter must not be allowed to accumulate sufficiently to divert some of the measuring force, thus invalidating the measured value (force shunt).

Notice

Measurement errors may be the result if dust or dirt is deposited inside the force transducer. The relevant areas are marked by arrows in Fig. 5.1.

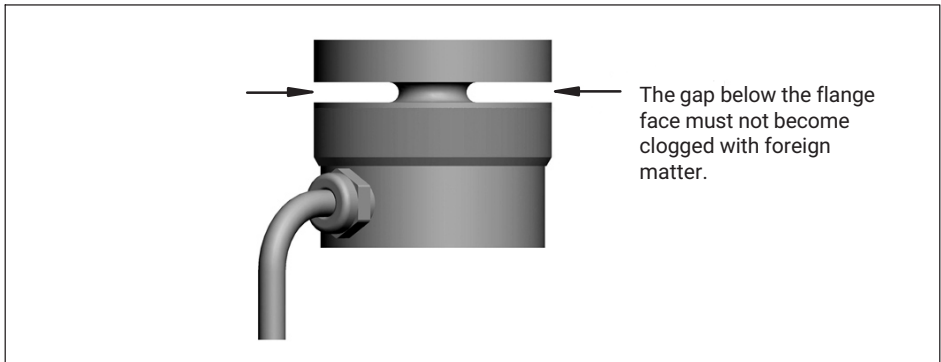


Fig. 5.1 Avoid deposits in the marked areas

6.1 Important precautions during installation

- Handle the transducer with care.
- Welding currents must not be allowed to flow over the transducer. If there is a risk that this might happen, you must use a suitable low-ohm connection to electrically bypass the transducer. HBM, for example, provides the highly flexible EEK ground cable, which can be screwed on, both above and below the transducer.
- Make sure that the transducer cannot be overloaded.

WARNING

There is a danger of the transducer breaking if it is overloaded. This can cause danger for the operating personnel of the system in which the transducer is installed.

Implement appropriate safety measures to avoid overloads or to protect against resulting dangers.

6.2 General installation guidelines

The forces to be measured must act on the transducer as accurately as possible in the direction of measurement. Torsional and bending moments, eccentric loading and lateral forces may produce measurement errors and destroy the transducer, if limit values are exceeded.

Notice

The transducer is hermetically sealed underneath by a welded base. This base is very thin, and must not be subjected to mechanical stress (Fig. 6.1), as otherwise the housing could be damaged. This would allow moisture to penetrate and destroy the transducer.

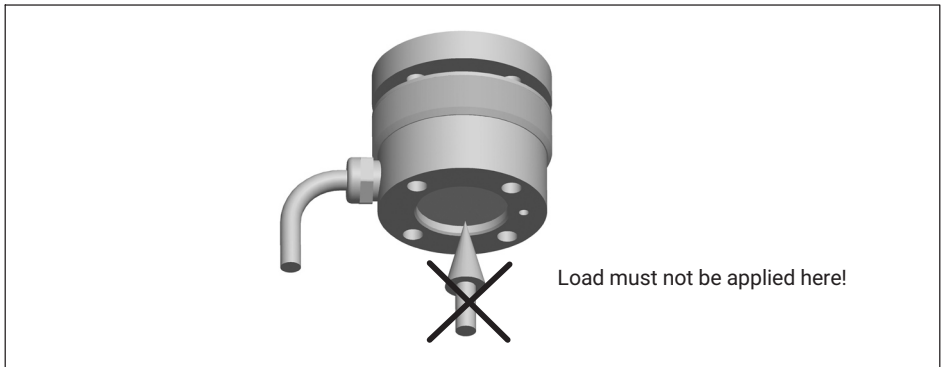


Fig. 6.1 Avoid the application of load to the marked surface

Important

The cable fastening side of the transducer should always be connected directly with the rigid customer-side force transfer areas. Ensure that the cable is laid so that, where possible, no force shunt is caused by the cable (e.g. through the weight or stiffness of the cable).

6.3 Mounting for tensile/compressive loading

The transducer is bolted directly (via the ring-shaped flange faces) onto a rigid, fully-bearing structural element (such as a profile, a cover or a plate). With this method of installation, transducers can measure axial forces in both the tensile *and* pressure directions. Alternating loads can also be recorded perfectly.

- For exact positioning, the transducer is fitted with centering aids on the upper and lower mounting surfaces.
- The upper and lower bearing pads must be flat and even. The roughness of the base bearing pad must not exceed $R_a = 0.8 \mu\text{m}$.
- The component mounted on the U93 must be sufficiently hard and must not deform when load is applied. We recommend a hardness of 43 HRC.
- Thoroughly clean the bearing pads before assembly.
- For dynamic alternating loads, the tightening torque for the screws must be selected so that the screws are pre-stressed to above the operating load of the transducer. The requisite data can be found in the table below.

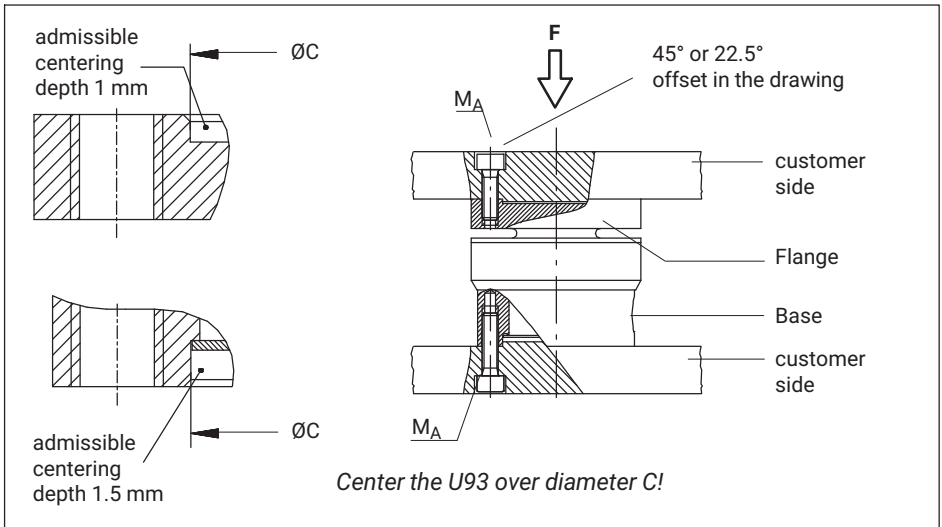


Fig. 6.2 Force transducer installation

Nominal (rated) force (kN)	Centering diameter C^{H8}	Tightening torque M_A (N·m)	Screws for transducer mounting	min. floor side thread reach (mm)
1kN ... 10kN	18	9	4 x M 5; 12.9	5
20kN ... 50kN	32	16	8 x M 6; 12.9	8



Important

When screwing through the upper tapped hole, make sure that a gap remains between the screw and the transducer body, even when the nominal (rated) force is applied. Otherwise there would be a force shunt, that could lead to measurement errors.

7 ELECTRICAL CONNECTION

The transducers are delivered with a 3 m cable with free ends as standard, and the cable terminations are color-coded. The cable shield is connected in accordance with the Greenline concept. This encloses the measurement system in a Faraday cage. Electro-magnetic interference cannot affect the measurement system.

Transducers with free ends must be fitted with CE-norm connectors. *The shielding must be connected extensively.*

With other connection techniques, an EMC-proof shield should be applied in the wire area and this shield should also be connected extensively (see also HBM Greenline Information, brochure i1577).

7.1 Notes on cabling

- Use shielded, low-capacitance HBM cables only.
- Do not route the measurement cables parallel to power lines or control circuits. If this is not possible (in cable pits, for example), protect the measurement cable with a rigid steel conduit, for example and keep it at least 50 cms away from the other cables. The power lines or control circuits should be twisted (15 twists per meter).
- Avoid stray fields from transformers, motors and contact switches.
- Do not ground the transducer, amplifier and indicator more than once, and attach all the devices in the measuring chain to the same protective earth conductor.
- The connection cable shielding is connected to the transducer housing.
- Follow the connection diagram and keep to the (Greenline) grounding concept.
- To achieve full accuracy, a six-wire configuration should be used for an extension cable.

7.2 Assignment of cable wires

If the transducer is connected in accordance with the wiring diagram below (*Fig. 7.1*), when the transducer is loaded in the pressure direction, the output voltage at the amplifier is positive.

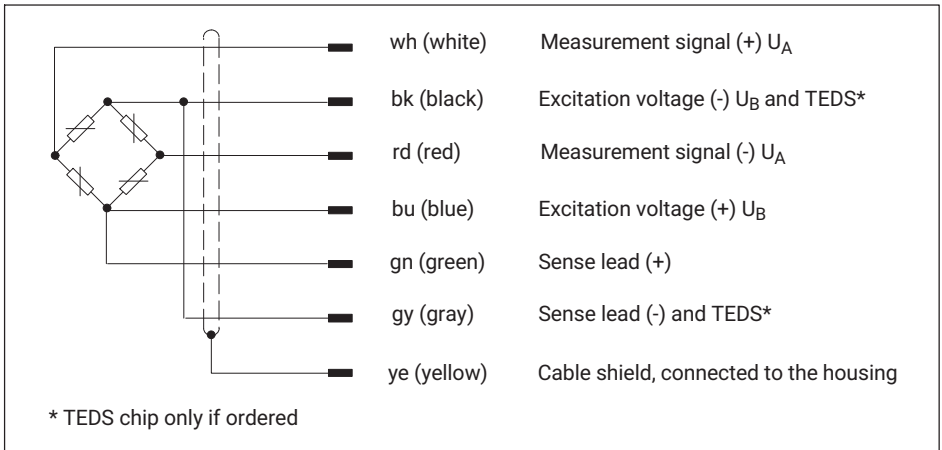


Fig. 7.1 U93 pin assignment (six-wire configuration)



Tip

Swap the white and red cable wires over, if you need a negative output voltage at the amplifier under compressive loading.

7.2.1 Connecting to terminals

1. Cut the cable sheath as shown in Fig. 7.2, to gain access to the shield.
2. Connect the shield extensively to the housing ground.

7.2.2 Connecting to a plug

Connect the cable shield extensively to the connector housing.

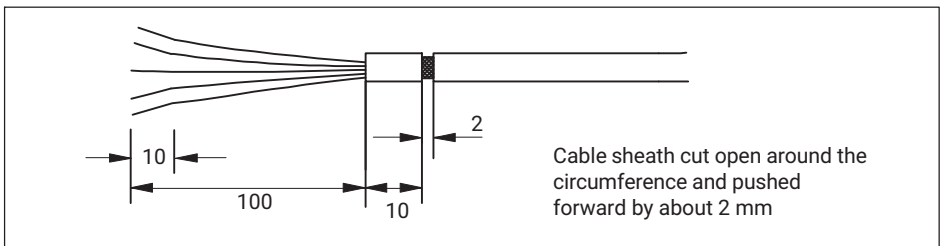


Fig. 7.2 Cable sheath with incision

7.3 TEDS transducer identification

Series U93 force transducers can be purchased with integrated TEDS chip. TEDS stands for "Transducer Electronic Data Sheet".

An electronic data sheet can be stored in the transducer as defined in the IEEE 1451.4 standard, making it possible for the amplifier to be set up automatically. A suitably equipped amplifier imports the transducer characteristics (electronic data sheet), translates them into its own settings and measurement can then start.

At the gray connection (to ground at black), there is a digital identification system available. The basis for this is a DS2433 1-wire EEPROM, made by Maxim/Dallas.

HBM provides you with the TEDS Editor program, for storing your data. This is a component part of the MGCplus Assistant software, for example, or the TEDS dongle module from HBM, that allows you to program TEDS, even without an amplifier.

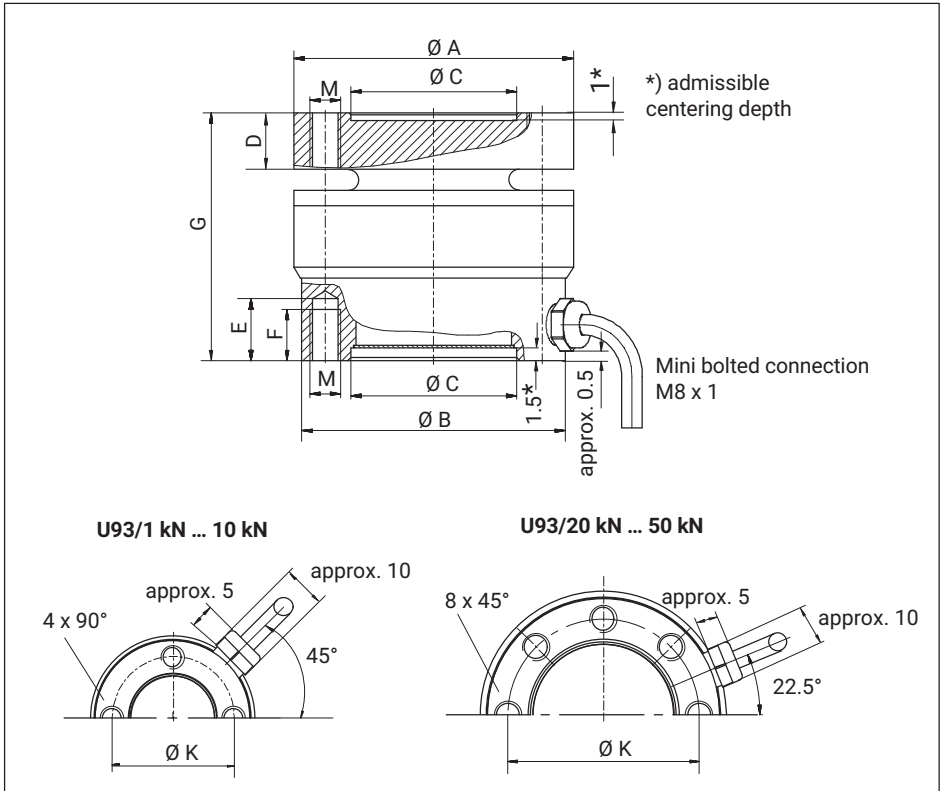
8 SPECIFICATIONS (VDI/VDE 2638)

Nominal (rated) force	F_{nom}	kN	1	2	5	10	20	50
Nominal (rated) sensitivity	C_{nom}	mV/V	0.5	1	0.5	1	0.5	1
Relative sensitivity error (pressure)	d_C	%	< ± 0.5					
Relative zero signal error	$d_{s,0}$	mV/V	< ± 0.075					
Hysteresis error (0.5F_{nom} to F_{nom})	$v_{0.5}$	%	< ± 0.5					
Relative non-linearity (pressure)	d_{lin}	%	< ± 0.5					
Effect of temperature on sensitivity per 10 K relative to nominal (rated) sensitivity	TK_C	%	< ± 0.5					
Temperature effect on the zero signal/10 K relative to nominal (rated) sensitivity	TK_0	%	< 0.8	< 0.5	< 0.8	< 0.5	< 0.8	< 0.5
Effect of lateral forces ¹⁾ (lateral force 10 % F_{nom})	d_Q	%	< 0.2		< 0.5		< 0.4	
Effect of eccentricity per mm	d_E	%	< 0.07		< 0.03		< 0.12	
Relative creep over 30 min	d_{crF+E}	%	< ± 0.2					
Input resistance	R_i	Ω	> 295					
Output resistance	R_o	Ω	190 ... 400					
Insulation resistance	R_{is}	Ω	> 1x 10 ⁹					
Reference excitation voltage	U_{ref}	V	5					
Operating range of excitation voltage	$B_{U,G}$	V	0.5 ... 12					
Nominal (rated) temp. range	$B_{t,nom}$	°C	-10 ... +70					
Operating temperature range	$B_{t,G}$	°C	-30 ... +85					
Storage temperature range	$B_{t,S}$	°C	-50 ... +85					
Reference temperature	t_{ref}	°C	+23					
Max. operating force	F_G	%	180					
Breaking force	F_B	%	> 400		> 300		> 300	

Nominal (rated) force	F_{nom}	kN	1	2	5	10	20	50
Lateral limit force ¹⁾	F_Q	%	100		80		40	
Permissible force application eccentricity	e_G	mm	1.5		3		6	
Nominal (rated) displacement ($\pm 15\%$)	S_{nom}	mm	0.01	0.02	0.02	0.04	0.01	0.03
Natural frequency	f_G	kHz	7.9		11.7		10.3	
Weight with cable (approx.)		g	200				600	
Rel. permissible vibrational stress	F_{rb}	%	150					
Cable connection, six-wire configuration			3 m cable length; outside diameter 4 mm; 6 x 0.08 mm ² ; PU sheath; min. bending radius R10					
Degree of protection per DIN 60529			IP67					
Transducer identification (optional)			TEDS, per IEEE 1451.4					

1) relative to a force application point on the force application surface

9 DIMENSIONS



Nominal (rated) force	$\varnothing A$	$\varnothing B$	$\varnothing C^{H8}$	D	E	F	G	$\varnothing K^{\pm 0.1}$	M
U93/1kN ...10 kN	35	33	18	6.2	9	7	30.5	26	M5
U93/20kN ... 50 kN	54	51	32	11	12	10	48	42	M6

10 OPTIONS

The ordering number for the preferred versions is 1-U93..., the ordering number for customized versions is K-U93...

Preferred version

Nominal (rated) force	Ordering number
1 kN	1-U93/1 kN
2 kN	1-U93/2 kN
5 kN	1-U93/5 kN
10 kN	1-U93/10 kN
20 kN	1-U93/20 kN
50 kN	1-U93/50 kN

Preferred version available at short notice

U93 force transducer, optional versions

Nominal (rated) force	Cable length	Cable version	TEDS chip
1 kN 1K00	3 m 3	Free ends Y	With TEDS chip T
2 kN 2K00	6 m 06	D-sub-HD15, 15-pin F	Without TEDS chip S
5 kN 5K00	12 m 12	D-SUB-HD15, 15-pin Q	
10 kN 10K0		Male connector MS3106PEMV N	
20 kN 20K0			
50 kN 50K0			

Ordering example

K-U93-	2K00-	03-	Y-	S
---------------	--------------	------------	-----------	----------

Force transducer U93 with a nominal (rated) force of 2 kN, 3 m cable, free ends, without TEDS chip

ENGLISH DEUTSCH FRANÇAIS ITALIANO

Montageanleitung



U93

INHALTSVERZEICHNIS

1	Sicherheitshinweise	3
2	Lieferumfang	7
3	Anwendungshinweise	8
4	Aufbau und Wirkungsweise	9
4.1	Messkörper	9
4.2	Abdeckung der Dehnungsmessstreifen	9
5	Bedingungen am Einsatzort	10
5.1	Umgebungstemperatur	10
5.2	Feuchtigkeit	10
5.3	Ablagerungen	10
6	Mechanischer Einbau	12
6.1	Wichtige Vorkehrungen beim Einbau	12
6.2	Allgemeine Einbaurichtlinien	12
6.3	Montage für Zug-/Druckbelastung	13
7	Elektrischer Anschluss	15
7.1	Hinweise für die Verkabelung	15
7.2	Belegung der Kabeladern	15
7.2.1	Anschließen an Klemmen	16
7.2.2	Anschließen an einen Stecker	16
7.3	Aufnehmer-Identifikation TEDS	17
8	Technische Daten (VDI/VDE 2638)	18
9	Abmessungen	20
10	Optionen	21

Bestimmungsgemäßer Gebrauch

Die Kraftaufnehmer der Typenreihe U93 sind ausschließlich für die Messung statischer und dynamischer Zug- und Druckkräfte im Rahmen der durch die technischen Daten der jeweiligen Nennlast spezifizierten Belastungsgrenzen konzipiert. Jeder andere Gebrauch ist nicht bestimmungsgemäß.

Zur Gewährleistung eines sicheren Betriebes sind die Vorschriften der Montageanleitung sowie die nachfolgenden Sicherheitsbestimmungen und die in den technischen Datenblättern mitgeteilten Daten unbedingt zu beachten. Zusätzlich sind die für den jeweiligen Anwendungsfall zu beachtenden Rechts- und Sicherheitsvorschriften zu beachten.

Die Kraftaufnehmer sind nicht zum Einsatz als Sicherheitsbauteile bestimmt. Bitte beachten Sie hierzu den Abschnitt „Zusätzliche Sicherheitsvorkehrungen“. Der einwandfreie und sichere Betrieb der Kraftaufnehmer setzt sachgemäßen Transport, fachgerechte Lagerung, Aufstellung und Montage sowie sorgfältige Bedienung voraus.

Belastbarkeitsgrenzen

Beim Einsatz der Kraftaufnehmer sind die Angaben in den technischen Datenblättern unbedingt zu beachten. Insbesondere dürfen die jeweils angegebenen Maximalbelastungen keinesfalls überschritten werden. Nicht überschritten werden dürfen die in den technischen Datenblättern angegebenen

- Grenzlasten
- Grenzquerlasten
- Bruchlasten
- Zulässige dynamische Belastungen
- Temperaturgrenzen
- Grenzen der elektrischen Belastbarkeit

Beachten Sie bei der Zusammenschaltung mehrerer Kraftaufnehmer, dass die Last-/Kraftverteilung nicht immer gleichmäßig ist.

Einsatz als Maschinenelemente

Die Kraftaufnehmer können als Maschinenelemente eingesetzt werden. Bei dieser Verwendung ist zu beachten, dass die Kraftaufnehmer zu Gunsten einer hohen Messempfindlichkeit nicht mit den im Maschinenbau üblichen Sicherheitsfaktoren konstruiert wurden. Beachten Sie hierzu den Abschnitt „Belastbarkeitsgrenzen“ und die technischen Daten.

Unfallverhütung

Obwohl die angegebene Nennkraft im Zerstörungsbereich ein Mehrfaches vom Messbereichsendwert beträgt, müssen die einschlägigen Unfallverhütungsvorschriften der Berufsgenossenschaften berücksichtigt werden.

Zusätzliche Sicherheitsvorkehrungen

Die Kraftaufnehmer können (als passive Aufnehmer) keine (sicherheitsrelevanten) Abschaltungen vornehmen. Dafür bedarf es weiterer Komponenten und konstruktiver Vorkehrungen, für die der Errichter und Betreiber der Anlage Sorge zu tragen hat.

Falls bei Bruch oder Fehlfunktion der Kraftaufnehmer Menschen oder Sachen zu Schaden kommen können, müssen vom Anwender geeignete zusätzliche Sicherheitsvorkehrungen getroffen werden, die zumindest den Anforderungen der einschlägigen Unfallverhütungsvorschriften genügen (z. B. automatische Notabschaltungen, Überlastsicherungen, Fanglaschen oder -ketten oder andere Absturzsicherungen).

Die das Messsignal verarbeitende Elektronik ist so zu gestalten, dass bei Ausfall des Messsignals keine Folgeschäden auftreten können.

Allgemeine Gefahren bei Nichtbeachten der Sicherheitshinweise

Die Kraftaufnehmer entsprechen dem Stand der Technik und sind betriebssicher. Von den Aufnehmern können Gefahren ausgehen, wenn sie von ungeschultem Personal oder unsachgemäß montiert, aufgestellt, eingesetzt und bedient werden. Jede Person, die mit Aufstellung, Inbetriebnahme, Betrieb oder Reparatur eines Kraftaufnehmers beauftragt ist, muss die Montageanleitung und insbesondere die sicherheitstechnischen Hinweise gelesen und verstanden haben. Bei nicht bestimmungsgemäßem Gebrauch der Kraftaufnehmer, bei Nichtbeachtung der Montage- und Bedienungsanleitung, dieser Sicherheitshinweise oder sonstiger einschlägiger Sicherheitsvorschriften (Unfallverhütungsvorschriften der BG) beim Umgang mit den Kraftaufnehmern, können die Kraftaufnehmer beschädigt oder zerstört werden. Insbesondere bei Überlastungen kann es zum Bruch von Kraftaufnehmern kommen. Durch den Bruch eines Kraftaufnehmers können darüber hinaus Sachen oder Personen in der Umgebung des Kraftaufnehmers zu Schaden kommen.

Werden Kraftaufnehmer nicht ihrer Bestimmung gemäß eingesetzt, oder werden die Sicherheitshinweise oder die Vorgaben der Montage- oder Bedienungsanleitung außer Acht gelassen, kann es ferner zum Ausfall oder zu Fehlfunktionen der Kraftaufnehmer kommen, mit der Folge, dass (durch auf die Kraftaufnehmer einwirkende oder durch diese überwachte Lasten) Menschen oder Sachen zu Schaden kommen können.

Der Leistungs- und Lieferumfang des Aufnehmers deckt nur einen Teilbereich der Kraftmesstechnik ab, da Messungen mit (resistiven) DMS-Sensoren eine elektronische Signalverarbeitung voraussetzen. Sicherheitstechnische Belange der Kraftmesstechnik sind zusätzlich vom Anlagenplaner/Ausrüster/Betreiber so zu planen, zu realisieren und zu verantworten, dass Restgefahren minimiert werden. Jeweils existierende Vorschriften sind zu beachten.

Die folgende Kennzeichnung weist auf eine *mögliche* gefährliche Situation hin, die – wenn die Sicherheitsbestimmungen nicht beachtet werden – Tod oder schwere Körperverletzung zur Folge *haben kann*.

 **WARNUNG**

*Beschreibung einer möglicherweise gefährlichen Situation
Maßnahmen zur Vermeidung/Abwendung der Gefahr*

Die folgende Kennzeichnung weist auf eine Situation hin, die – wenn die Sicherheitsbestimmungen nicht beachtet werden – Sachschäden zur Folge *haben kann*.

Hinweis

Beschreibung einer Situation, die zu Sachschäden führen kann

Die folgende Kennzeichnung weist auf wichtige Informationen zum Produkt oder zur Handhabung des Produktes hin.

 **Wichtig**

Wichtige Hinweise

Die folgende Kennzeichnung enthält Anwendungstipps oder andere für Sie nützliche Informationen.

 **Tipp**

Information/Anwendungshinweis

Umbauten und Veränderungen

Der Aufnehmer darf ohne unsere ausdrückliche Zustimmung weder konstruktiv noch sicherheitstechnisch verändert werden. Jede Veränderung schließt eine Haftung unsererseits für daraus resultierende Schäden aus.

Wartung

Der Kraftaufnehmer U93 ist wartungsfrei.

Entsorgung

Nicht mehr gebrauchsfähige Aufnehmer sind gemäß den nationalen und örtlichen Vorschriften für Umweltschutz und Rohstoffrückgewinnung getrennt von regulärem Hausmüll zu entsorgen.

Falls Sie weitere Informationen zur Entsorgung benötigen, wenden Sie sich bitte an die örtlichen Behörden oder an den Händler, bei dem Sie das Produkt erworben haben.

Qualifiziertes Personal

Qualifiziertes Personal sind Personen, die mit Aufstellung, Montage, Inbetriebsetzung und Betrieb des Produktes vertraut sind und die über die ihrer Tätigkeit entsprechende Qualifikationen verfügen.

Dazu zählen Personen, die mindestens eine der drei folgenden Voraussetzungen erfüllen:

1. Ihnen sind die Sicherheitskonzepte der Automatisierungstechnik bekannt und Sie sind als Projektpersonal damit vertraut.
2. Sie sind Bedienungspersonal der Automatisierungsanlagen und im Umgang mit den Anlagen unterwiesen. Sie sind mit der Bedienung der in dieser Dokumentation beschriebenen Geräten und Technologien vertraut.
3. Sie sind Inbetriebnehmer oder für den Service eingesetzt und haben eine Ausbildung absolviert, die Sie zur Reparatur der Automatisierungsanlagen befähigt. Außerdem haben Sie eine Berechtigung, Stromkreise und Geräte gemäß den Normen der Sicherheitstechnik in Betrieb zu nehmen, zu erden und zu kennzeichnen.

Bei der Verwendung sind zusätzlich die für den jeweiligen Anwendungsfall erforderlichen Rechts- und Sicherheitsvorschriften zu beachten. Sinngemäß gilt dies auch bei Verwendung von Zubehör.

Der Kraftaufnehmer ist nur von qualifiziertem Personal ausschließlich entsprechend der technischen Daten in Zusammenhang mit den Sicherheitsbestimmungen und Vorschriften einzusetzen.

2 LIEFERUMFANG

- Kraftaufnehmer U93
- Bedienungsanleitung U93
- Prüfprotokoll

3 ANWENDUNGSHINWEISE

Die Kraftaufnehmer der Typenreihe U93 sind für Messungen von Zug- und Druckkräften geeignet. Sie messen statische und dynamische Kräfte mit hoher Genauigkeit und verlangen daher eine umsichtige Handhabung. Besondere Aufmerksamkeit erfordern hierbei Transport und Einbau der Geräte. Stöße oder Stürze können zu permanenten Schäden am Aufnehmer führen.

Die sorgfältige Abdichtung zum Schutz der empfindlichen Dehnungsmessstreifenapplikationen durch das Gehäuse muss unbedingt gewahrt bleiben. Besondere Vorsicht ist deshalb am Gehäuseboden nötig, der sehr dünn ist.

Die Grenzen für die zulässigen mechanischen, thermischen und elektrischen Beanspruchungen sind in den Technischen Daten auf Seite 18 aufgeführt. Bitte berücksichtigen Sie diese unbedingt bei der Planung der Messanordnung, beim Einbau und letztendlich im Betrieb.

4 AUFBAU UND WIRKUNGSWEISE

4.1 Messkörper

Das Messelement ist ein Verformungskörper aus rostfreiem Stahl, auf dem Dehnungsmessstreifen (DMS) angebracht sind. Die DMS sind so angeordnet, dass zwei von ihnen gedehnt und die zwei anderen gestaucht werden, wenn auf den Aufnehmer eine Kraft einwirkt.

4.2 Abdeckung der Dehnungsmessstreifen

Zum Schutz der DMS sind die Kraftaufnehmer U93 an entsprechender Stelle mit einem dünnen Blech verschweißt. Dieses Verfahren bietet einen hohen Schutz der DMS gegen Umwelteinflüsse. Um die Schutzwirkung nicht zu gefährden, darf dieses Blech keinesfalls beschädigt werden, *siehe Abschnitt 6.2 auf Seite 12*.

5 BEDINGUNGEN AM EINSATZORT

Schützen Sie den Aufnehmer vor extremer Feuchtigkeit oder Witterungseinflüssen wie beispielsweise Regen, Schnee, Eis und Salzwasser.

5.1 Umgebungstemperatur

Die Temperatureinflüsse auf das Nullsignal sowie auf den Kennwert sind kompensiert.

Um optimale Messergebnisse zu erzielen, ist der Nenntemperaturbereich einzuhalten. Optimal sind konstante, allenfalls langsam veränderliche Temperaturen. Temperaturbedingte Messfehler entstehen durch einseitige Erwärmung (z. B. Strahlungswärme) oder Abkühlung. Ein Strahlungsschild und allseitige Wärmedämmung bewirken merkliche Verbesserungen. Sie dürfen aber keinen Kraftnebenschluss bilden.

5.2 Feuchtigkeit

Kraftaufnehmer der Serie U93 sind hermetisch dicht verschweißt und erreichen die Schutzklasse IP67 nach DIN EN 60529 (Prüfbedingungen: 100 Stunden unter 1 m Wassersäule). Trotzdem sollten die Kraftaufnehmer gegen dauerhafte Feuchteeinwirkung geschützt werden.

Hinweis

In das freie Ende des Anschlusskabels darf keine Feuchtigkeit eindringen. Andernfalls können sich die Kennwerte des Aufnehmers verändern und damit Fehlmessungen verursachen.

Der Aufnehmer muss gegen Chemikalien geschützt werden, die den Stahl des Aufnehmerkörpers oder das Kabel angreifen. Bei Kraftaufnehmern aus nichtrostendem Stahl ist zu beachten, dass Säuren und alle Stoffe, die Ionen freisetzen, auch nichtrostende Stähle und deren Schweißnähte angreifen.

Die dadurch evtl. auftretende Korrosion kann zum Ausfall des Kraftaufnehmers führen. In diesem Fall sind entsprechende Schutzmaßnahmen vorzusehen.

5.3 Ablagerungen

Staub, Schmutz und andere Fremdkörper dürfen sich nicht so ansammeln, dass sie einen Teil der Messkraft umleiten und dadurch den Messwert verfälschen (Kraftnebenschluss).

Hinweis

Fehlmessungen können die Folge sein, wenn sich Staub oder Schmutz innerhalb der Kraftaufnehmer ablagern. Die betreffenden Stellen sind in Abb. 5.1 mit Pfeilen markiert.

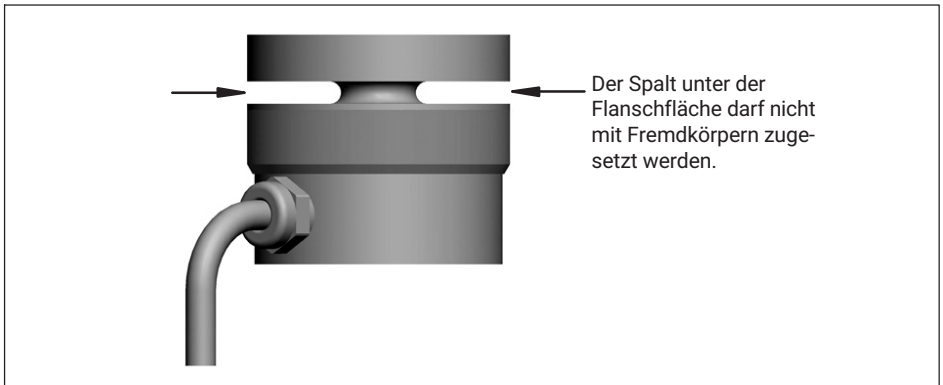


Abb. 5.1 Vermeiden Sie Ablagerungen an den gekennzeichneten Stellen

6.1 Wichtige Vorkehrungen beim Einbau

- Behandeln Sie den Aufnehmer schonend.
- Es dürfen keine Schweißströme über den Aufnehmer fließen. Sollte diese Gefahr bestehen, so müssen Sie den Aufnehmer mit einer geeigneten niederohmigen Verbindung elektrisch überbrücken. Hierzu bietet z. B. HBM das hochflexible Erdungskabel EEK an, das oberhalb und unterhalb des Aufnehmers angeschraubt wird.
- Stellen Sie sicher, dass der Aufnehmer nicht überlastet werden kann.

WARNUNG

Bei einer Überlastung des Aufnehmers besteht die Gefahr, dass der Aufnehmer bricht. Dadurch können Gefahren für das Bedienpersonal der Anlage auftreten, in die der Aufnehmer eingebaut ist.

Treffen Sie geeignete Sicherheitsmaßnahmen zur Vermeidung einer Überlastung oder zur Sicherung gegen sich daraus ergebende Gefahren.

6.2 Allgemeine Einbaurichtlinien

Die zu messenden Kräfte müssen möglichst genau in Messrichtung auf den Aufnehmer wirken. Torsions- und Biegemomente, außermittige Belastungen und Querkräfte können zu Messfehlern führen und bei Überschreitung der Grenzwerte den Aufnehmer zerstören.

Hinweis

Der Aufnehmer ist an seiner Unterseite durch einen geschweißten Boden hermetisch abgeschlossen. Dieser Boden ist sehr dünn und darf nicht mechanisch belastet werden (Abb. 6.1), da sonst das Gehäuse beschädigt werden kann. Dadurch kann Feuchtigkeit eindringen und den Aufnehmer zerstören.

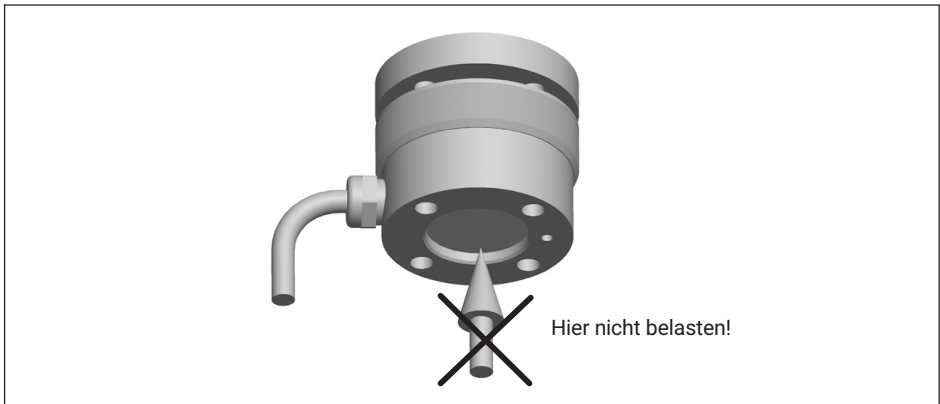


Abb. 6.1 Vermeiden Sie eine Belastung der gekennzeichneten Fläche



Wichtig

Die Kabelbefestigungsseite des Aufnehmers sollte immer direkt mit den starren kundenseitigen Kraftausleitungsbereichen verbunden sein. Achten Sie darauf, dass das Kabel so verlegt wird, dass möglichst kein Kraftnebenschluss durch das Kabel verursacht wird (z. B. durch das Gewicht oder die Steifigkeit des Kabels).

6.3 Montage für Zug-/Druckbelastung

Der Aufnehmer wird direkt (über die ringförmigen Flanschflächen) an ein steifes, voll tragendes Konstruktionselement (z. B. Profil, Decke oder Platte) geschraubt. Bei dieser Einbauart können die Aufnehmer axiale Kräfte in Zug- und in Druckrichtung messen. Auch Wechsellasten werden einwandfrei erfasst.

- Für eine exakte Positionierung ist der Aufnehmer mit Zentrierhilfen an der oberen und unteren Montagefläche ausgestattet.
- Die oberen und unteren Auflageflächen müssen eben bearbeitet sein. Für die bodenseitige Auflagefläche sollte die Rauigkeit nicht über $R_a = 0,8 \mu\text{m}$ liegen.
- Das Bauteil, das an die U93 montiert wird, muss ausreichend hart sein und darf sich unter Belastung nicht verformen. Wir empfehlen eine Härte von 43 HRC.
- Reinigen Sie vor der Montage die Auflageflächen gründlich.
- Für dynamische Wechsellasten muss das Anzugsmoment der Schrauben so gewählt werden, dass die Schrauben bis über die Betriebslast des Aufnehmers vorgespannt sind. Entnehmen Sie die dafür notwendigen Daten der folgenden Tabelle.

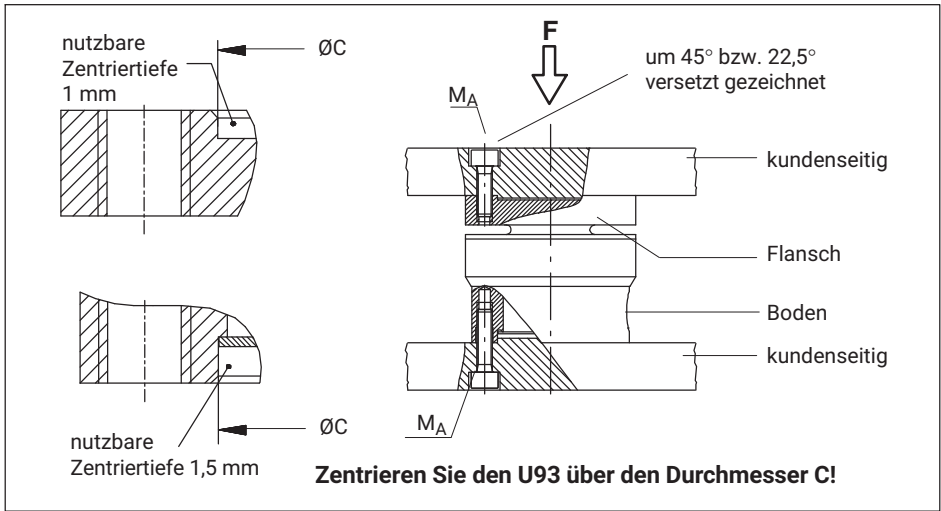


Abb. 6.2 Einbau des Kraftaufnehmers

Nennkraft (kN)	Zentrierdurchmesser C^{H8}	Anzugsmoment M_A (N·m)	Schrauben für Aufnehmermontage	min. Einschraubtiefe bodenseitig (mm)
1kN ... 10kN	18	9	4 x M 5; 12.9	5
20kN ... 50kN	32	16	8 x M 6; 12.9	8

! Wichtig

Achten Sie beim Anschrauben durch die oberen Durchgangsgewinde darauf, dass selbst bei Belastung mit Nennkraft noch ein Spalt zwischen Schraube und Aufnehmerkörper verbleibt. Andernfalls ergibt sich ein Kraftnebschluss, der zu Fehlmessungen führt.

Die Aufnehmer werden standardmäßig mit einem 3 m langen Kabel mit freien Enden geliefert, die Aderenden sind farbig gekennzeichnet. Der Kabelschirm ist nach dem Greenline-Konzept angeschlossen. Dadurch wird das Messsystem von einem Faradayschen Käfig umschlossen. Elektromagnetische Störungen beeinflussen das Messsystem nicht.

An die Aufnehmer mit freiem Ende sind Stecker nach CE-Norm zu montieren. *Die Schirmung ist dabei flächig aufzulegen.*

Bei anderen Anschlusstechniken ist im Litzbereich eine EMV-feste Abschirmung vorzusehen, bei der ebenfalls die Schirmung flächig aufzulegen ist (siehe auch HBM-Greenline-Information, Druckschrift i1577).

7.1 Hinweise für die Verkabelung

- Verwenden Sie nur abgeschirmte und kapazitätsarme Messkabel von HBM.
- Verlegen Sie Messkabel nicht parallel zu Starkstrom- oder Steuerleitungen. Falls dies nicht möglich ist (z. B. in Kabelschächten), schützen Sie das Messkabel z. B. durch Stahlpanzerrohre und halten Sie einen Mindestabstand von 50 cm zu anderen Kabeln. Starkstrom- oder Steuerleitungen sollten in sich verdreht sein (15 Schlag pro Meter).
- Meiden Sie Streufelder von Trafos, Motoren und Schützen.
- Erden Sie Aufnehmer, Verstärker und Anzeigegerät nicht mehrfach und schließen Sie alle Geräte der Messkette an den gleichen Schutzleiter an.
- Der Schirm des Anschlusskabels ist mit dem Aufnehmergehäuse verbunden.
- Beachten Sie das Anschlussschema und das Erdungskonzept (Greenline).
- Um die volle Genauigkeit zu erhalten, sollte eine Kabelverlängerung in Sechseleiter-Technik ausgeführt werden.

7.2 Belegung der Kabeladern

Wird der Aufnehmer nach folgendem Anschlussbild (*Abb. 7.1*) angeschlossen, so ist bei Belastung des Aufnehmers in Druckrichtung die Ausgangsspannung am Messverstärker positiv.

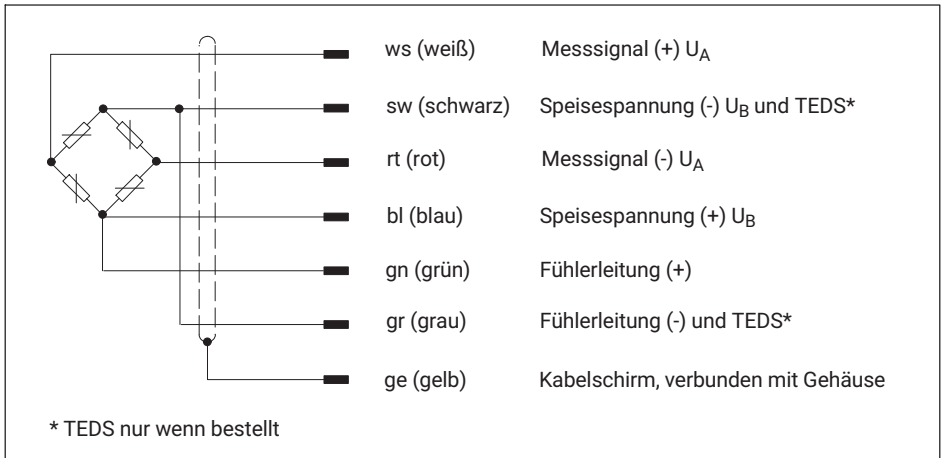


Abb. 7.1 Anschlussbelegung des U93 (Sechsheiter-Technik)



Tipp

Vertauschen Sie die weiße und die rote Kabelader, falls Sie bei Druckbelastung eine negative Ausgangsspannung am Messverstärker benötigen.

7.2.1 Anschließen an Klemmen

1. Schneiden Sie den Kabelmantel entsprechend Abb. 7.2 ein, damit der Schirm zugänglich wird.
2. Legen Sie den Schirm flächig auf die Gehäusemasse.

7.2.2 Anschließen an einen Stecker

Legen Sie den Kabelschirm flächig auf das Steckergehäuse.

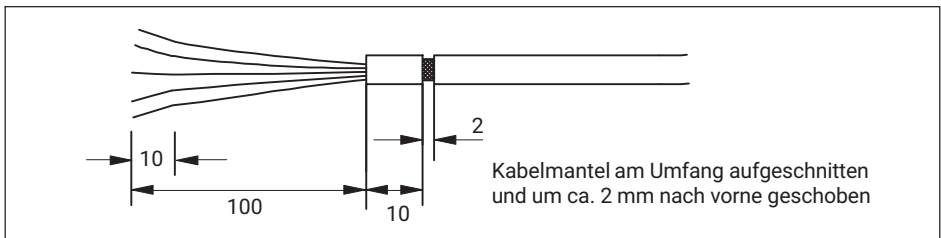


Abb. 7.2 Eingeschnittener Kabelmantel

7.3 **Aufnehmer-Identifikation TEDS**

Kraftaufnehmer der Serie U93 können mit einem integrierten TEDS-Chip bezogen werden. TEDS steht für "Transducer Electronic Data Sheet".

Im Aufnehmer kann ein elektronisches Datenblatt nach der Norm IEEE 1451.4 gespeichert werden, welches das automatische Einstellen des Messverstärkers ermöglicht. Ein entsprechend ausgestatteter Messverstärker liest die Kenndaten des Aufnehmers (elektronisches Datenblatt) aus, übersetzt diese in eigene Einstellungen und die Messung kann gestartet werden.

Am Anschluss grau (gegen Masse an schwarz) steht ein digitales Identifikationssystem zur Verfügung. Basis ist ein 1-Wire EEPROM DS2433 der Fa. Maxim/Dallas.

Zum Einspeichern der Daten stellt HBM das Programm TEDS-Editor zur Verfügung. Dieses ist z. B. Bestandteil der Software MGCplus-Assistent oder dem Modul TEDS-dongle von HBM, das ein Programmieren des TEDS auch ohne Messverstärker ermöglicht.

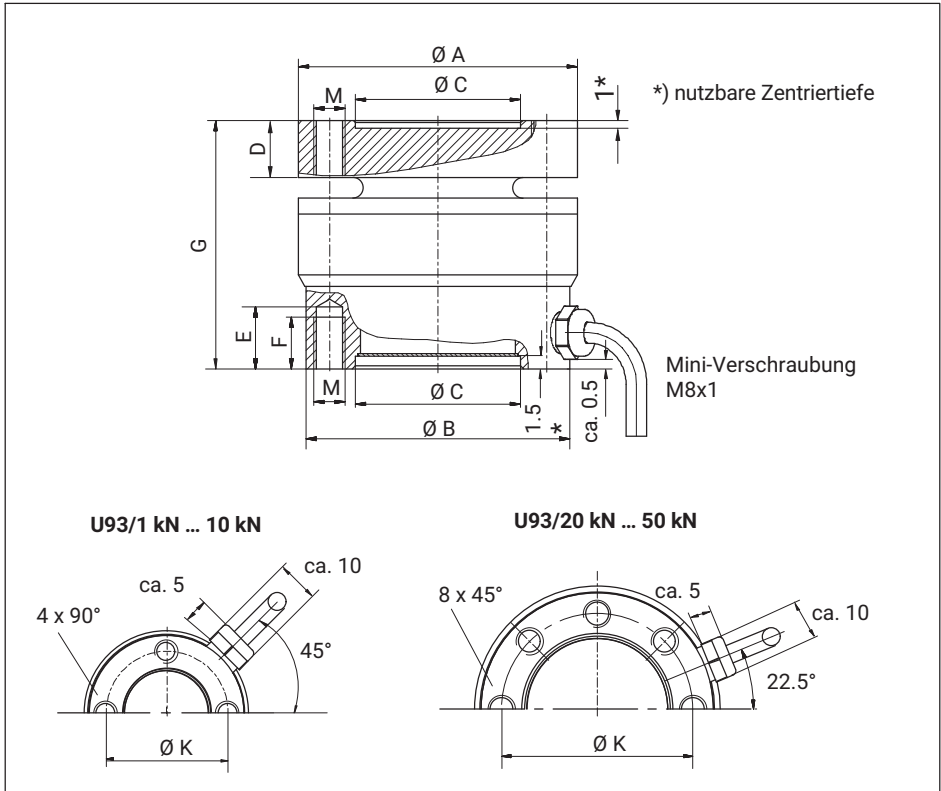
8 TECHNISCHE DATEN (VDI/VDE 2638)

Nennkraft	F_{nom}	kN	1	2	5	10	20	50
Nennkennwert	C_{nom}	mV/V	0,5	1	0,5	1	0,5	1
Relative Kennwertabweichung (Druck)	d_C	%	< ± 0,5					
Relative Nullsignalabweichung	$d_{s,0}$	mV/V	< ± 0,075					
Rel. Umkehrspanne (0,5 F_{nom} bis F_{nom})	$v_{0,5}$	%	< ± 0,5					
Relative Linearitätsabweichung (Druck)	d_{lin}	%	< ± 0,5					
Temperatureinfluss auf den Kennwert/10 K bezogen auf den Nennkennwert	TK_C	%	< ± 0,5					
Temperatureinfluss auf das Nullsignal/10 K bezogen auf den Nennkennwert	TK_0	%	< 0,8	< 0,5	< 0,8	< 0,5	< 0,8	< 0,5
Querkrafteinfluss ¹⁾ (Querkraft 10 % F_{nom})	d_Q	%	< 0,2		< 0,5		< 0,4	
Exzentrizitätseinfluss pro mm	d_E	%	< 0,07		< 0,03		< 0,12	
Rel. Kriechen über 30 min	d_{crf+E}	%	< ± 0,2					
Eingangswiderstand	R_e	Ω	> 295					
Ausgangswiderstand	R_a	Ω	190 ... 400					
Isolationswiderstand	R_{is}	Ω	> 1x 10 ⁹					
Referenzspeisespannung	U_{ref}	V	5					
Gebrauchsbereich der Speisespannung	$B_{U,G}$	V	0,5 ... 12					
Nenntemperaturbereich	$B_{t,no}$ m	°C	-10 ... +70					
Gebrauchstemperaturbereich	$B_{t,G}$	°C	-30 ... +85					
Lagerungstemperaturbereich	$B_{t,S}$	°C	-50 ... +85					

Nennkraft	F _{nom}	kN	1	2	5	10	20	50
Referenztemperatur	t _{ref}	°C	+23					
Maximale Gebrauchskraft	F _G	%	180					
Bruchkraft	F _B	%	> 400		> 300		> 300	
Grenzquerkraft ¹⁾	F _Q	%	100		80		40	
Zul. Exzentrizität der Kraft-einleitung	e _G	mm	1,5		3		6	
Nennmessweg (±15%)	S _{nom}	mm	0,01	0,02	0,02	0,04	0,01	0,03
Eigenfrequenz	f _G	kHz	7,9		11,7		10,3	
Gewicht inkl. Kabel (ca.)		g	200				600	
Rel. zulässige Schwing-beanspruchung	F _{rb}	%	150					
Kabelanschluss, Sechsheiter-Technik			3 m Kabellänge; Außendurchmesser 4 mm; 6 x 0,08 mm ² ; PUR-Mantel; min. Biegeradius R10					
Schutzart nach DIN EN 60529			IP67					
Aufnehmeridentifikation (optional)			TEDS, gemäß IEEE 1451.4					

¹⁾ bezogen auf einen Krafteinleitungspunkt auf der Krafteinleitungsfläche

9 ABMESSUNGEN



Nennkraft	ØA	ØB	ØC ^{H8}	D	E	F	G	ØK ^{±0,1}	M
U93/1kN ...10 kN	35	33	18	6,2	9	7	30,5	26	M5
U93/20kN ... 50 kN	54	51	32	11	12	10	48	42	M6

10 OPTIONEN

Die Bestell-Nr. der Vorzugsausführungen ist 1-U93..., die Bestell-Nr. der kundenspezifischen Ausführungen ist K-U93...

Vorzugsausführung

Nennkraft	Bestellnummer
1 kN	1-U93/1 kN
2 kN	1-U93/2 kN
5 kN	1-U93/5 kN
10 kN	1-U93/10 kN
20 kN	1-U93/20 kN
50 kN	1-U93/50 kN

Vorzugsausführung kurzfristig lieferbar

U93-Kraftaufnehmer, optionale Ausführungen

Nennkraft	Kabellänge	Kabelauführung	TEDS
1 kN 1K00	3 m 3	Freie Enden Y	Mit TEDS T
2 kN 2K00	6 m 06	D-SUB-Stecker, 15-polig F	Ohne TEDS S
5 kN 5K00	12 m 12	D-SUB-HD-Stecker, 15-polig Q	
10 kN 10K0		Stecker MS3106PEMV N	
20 kN 20K0			
50 kN 50K0			

Bestellbeispiel

K-U93-	2K00-	03-	Y-	S
---------------	--------------	------------	-----------	----------

Kraftaufnehmer U93 mit einer Nennkraft von 2 kN, 3 m Kabel, freien Enden, ohne TEDS

ENGLISH DEUTSCH FRANÇAIS ITALIANO

Notice de montage



U93

TABLE DES MATIÈRES

1	Consignes de sécurité	3
2	Étendue de la livraison	7
3	Conseils d'utilisation	8
4	Conception et fonctionnement	9
4.1	Élément de mesure	9
4.2	Recouvrement des jauges d'extensométrie	9
5	Conditions sur site	10
5.1	Température ambiante	10
5.2	Humidité	10
5.3	Dépôts	10
6	Montage mécanique	12
6.1	Précautions importantes lors du montage	12
6.2	Directives de montage générales	12
6.3	Montage pour la charge en traction/compression	13
7	Raccordement électrique	15
7.1	Consignes de câblage	15
7.2	Affectation des fils conducteurs	15
7.2.1	Raccordement à des bornes	16
7.2.2	Raccordement à un connecteur	16
7.3	Identification des capteurs TEDS	17
8	Caractéristiques techniques (VDI/VDE 2638)	18
9	Dimensions	20
10	Options	21

Utilisation conforme

Les capteurs de force de type U93 sont exclusivement conçus pour la mesure de forces en compression et en traction statiques et dynamiques dans le cadre des limites de charge spécifiées dans les caractéristiques techniques pour la charge nominale correspondante. Toute autre utilisation est considérée non conforme.

Pour garantir un fonctionnement sûr, il faut impérativement respecter les instructions de la notice de montage et du manuel d'emploi, de même que les consignes de sécurité ci-après et les données indiquées dans les caractéristiques techniques. De plus, il convient, pour chaque cas particulier, de respecter les règlements et consignes de sécurité correspondants.

Les capteurs de force ne sont pas destinés à être mis en œuvre comme éléments de sécurité. Reportez-vous à ce sujet au paragraphe "Mesures de sécurité supplémentaires". Afin de garantir un fonctionnement parfait et en toute sécurité des capteurs de force, il convient de veiller à un transport, un stockage, une installation et un montage appropriés et d'assurer un maniement scrupuleux.

Limites de capacité de charge

Lors de l'utilisation des capteurs de force, respecter impérativement les données fournies dans les caractéristiques techniques. Les charges maximales indiquées ne doivent notamment en aucun cas être dépassées. Il ne faut pas dépasser les valeurs indiquées dans les caractéristiques techniques pour les

- charges limites,
- charges transverses limites,
- charges de rupture,
- charges dynamiques admissibles,
- limites de température,
- limites de charge électrique.

En cas de branchement de plusieurs capteurs de force, il faut noter que la répartition des charges / des forces n'est pas toujours uniforme.

Utilisation en tant qu'éléments de machine

Les capteurs de force peuvent être utilisés en tant qu'éléments de machine. Dans ce type d'utilisation, il convient de noter que les capteurs de force ne peuvent pas présenter les facteurs de sécurité habituels en construction mécanique car l'accent est mis sur la sensibilité élevée. Reportez-vous à ce sujet au paragraphe "Limites de capacité de charge" et aux caractéristiques techniques.

Prévention des accidents

Bien que la force nominale indiquée dans la plage de destruction corresponde à un multiple de la pleine échelle, il est impératif de respecter les directives pour la prévention des accidents du travail éditées par les caisses professionnelles d'assurance accident.

Mesures de sécurité supplémentaires

Les capteurs de force ne peuvent déclencher (en tant que capteurs passifs) aucun arrêt (relatif à la sécurité). Il faut pour cela mettre en œuvre d'autres composants et procéder à des mesures constructives, tâches qui incombent à l'installateur et à l'exploitant de l'installation.

Lorsque les capteurs de force risquent de blesser des personnes ou endommager des biens suite à une rupture ou un dysfonctionnement, l'utilisateur doit prendre des mesures de sécurité supplémentaires appropriées afin de répondre au moins aux exigences des directives pour la prévention des accidents du travail (par ex. dispositifs d'arrêt automatiques, limiteurs de charge, lanières ou chaînes de sécurité ou tout autre dispositif anti-chute).

L'électronique traitant le signal de mesure doit être conçue de manière à empêcher tout endommagement consécutif à une panne du signal.

Risques généraux en cas de non-respect des consignes de sécurité

Les capteurs de force correspondent au niveau de développement technologique actuel et présentent une parfaite sécurité de fonctionnement. Les capteurs peuvent représenter un danger s'ils sont montés, installés, utilisés et manipulés par du personnel non qualifié sans tenir compte des consignes de sécurité. Toute personne chargée de l'installation, de la mise en service, de l'utilisation ou de la réparation d'un capteur de force doit impérativement avoir lu et compris la notice de montage et notamment les informations relatives à la sécurité. En cas d'utilisation non conforme des capteurs de force, de non-respect de la notice de montage et du manuel d'emploi, ainsi que des présentes consignes de sécurité ou de toute autre consigne de sécurité applicable pour l'usage des capteurs de force (par ex. les directives pour la prévention des accidents du travail éditées par les caisses professionnelles d'assurance accident), les capteurs de force peuvent être endommagés ou détruits. En cas de surcharges notamment, les capteurs de force peuvent se briser. En outre, la rupture d'un capteur de force peut endommager des biens ou blesser des personnes se trouvant à proximité du capteur de force.

Si les capteurs de force sont utilisés pour un usage non prévu ou si les consignes de sécurité ou encore les prescriptions de la notice de montage ou du manuel d'emploi sont ignorées, cela peut également entraîner une panne ou des dysfonctionnements des capteurs de force qui peuvent à leur tour provoquer des dommages sur des biens ou des personnes (de par les charges agissant sur les capteurs de force ou celles surveillées par ces derniers).

Les performances du capteur et l'étendue de la livraison ne couvrent qu'une partie des techniques de mesure de force car les mesures effectuées avec des capteurs à jauges

(résistifs) supposent l'emploi d'un traitement de signal électronique. La sécurité dans le domaine de la technique de mesure de force doit également être conçue, mise en œuvre et prise en charge par l'ingénieur/le constructeur/l'exploitant de manière à minimiser les dangers résiduels. Les dispositions correspondantes en vigueur doivent être respectées.

Le marquage suivant signale un risque *potentiel* qui - si les dispositions relatives à la sécurité ne sont pas respectées - *peut avoir* pour conséquence de graves blessures corporelles, voire la mort.

AVERTISSEMENT

Description d'une situation potentiellement dangereuse
Mesures pour éviter/prévenir le danger

Le marquage suivant signale une situation qui - si les dispositions relatives à la sécurité ne sont pas respectées - *peut avoir* pour conséquence des dégâts matériels.

Note

Description d'une situation pouvant causer des dégâts matériels

Le marquage suivant signale que des informations importantes concernant le produit ou sa manipulation sont fournies.



Important

Remarques importantes

Le marquage suivant est associé à des conseils d'utilisation ou autres informations utiles.



Conseil

Information/Conseil d'utilisation

Transformations et modifications

Il est interdit de modifier le capteur sur le plan conceptuel ou celui de la sécurité sans accord explicite de notre part. Nous ne pourrions en aucun cas être tenus responsables des dommages qui résulteraient d'une modification quelconque.

Entretien

Le capteur de force U93 est sans entretien.

Élimination des déchets

Conformément aux réglementations nationales et locales en matière de protection de l'environnement et de recyclage, les capteurs hors d'usage doivent être éliminés séparément des ordures ménagères normales.

Pour plus d'informations sur l'élimination d'appareils, consultez les autorités locales ou le revendeur auprès duquel vous avez acheté le produit en question.

Personnel qualifié

Sont considérées comme personnel qualifié les personnes familiarisées avec l'installation, le montage, la mise en service et l'exploitation du produit, et disposant des qualifications correspondantes.

En font partie les personnes remplissant au moins une des trois conditions suivantes :

1. Vous connaissez les concepts de sécurité de la technique d'automatisation et vous les maîtrisez en tant que chargé de projet.
2. Vous êtes opérateur des installations d'automatisation et avez été formé pour pouvoir utiliser les installations. Vous savez comment utiliser les appareils et technologies décrits dans le présent document.
3. En tant que personne chargée de la mise en service ou de la maintenance, vous disposez d'une formation vous autorisant à réparer les installations d'automatisation. Vous êtes en outre autorisé à mettre en service, mettre à la terre et marquer des circuits électriques et appareils conformément aux normes de la technique de sécurité.

De plus, il convient, pour chaque cas particulier, de respecter les règlements et consignes de sécurité correspondants. Ceci s'applique également à l'utilisation des accessoires.

Le capteur de force doit uniquement être manipulé par du personnel qualifié conformément aux caractéristiques techniques et aux consignes de sécurité.

2 ÉTENDUE DE LA LIVRAISON

- Capteur de force U93
- Manuel d'emploi U93
- Protocole d'essai

3 CONSEILS D'UTILISATION

Les capteurs de force de type U93 sont adaptés pour les mesures de forces en traction et en compression. Ils mesurent les forces dynamiques et statiques avec une précision élevée et doivent donc être maniés avec précaution. Dans ce cadre, le transport et le montage des appareils doivent être réalisés avec un soin particulier. Les chocs et les chutes risquent de provoquer un endommagement irréversible du capteur.

Il faut impérativement conserver l'étanchéité du boîtier pour protéger les applications délicates à jauges d'extensométrie. Il convient d'accorder une attention particulière au fond du boîtier qui est très fin.

Les limites des sollicitations mécaniques, thermiques et électriques autorisées sont indiquées dans les caractéristiques techniques, *page 18*. Veuillez en tenir compte lors de la conception de l'agencement de mesure, lors du montage et en fonctionnement.

4 CONCEPTION ET FONCTIONNEMENT

4.1 Élément de mesure

L'élément de mesure est un corps de déformation en acier inoxydable sur lequel sont posées des jauges d'extensométrie. Les jauges sont disposées de façon à ce que deux d'entre elles soient allongées et les deux autres comprimées lorsqu'une force agit sur le capteur.

4.2 Recouvrement des jauges d'extensométrie

Afin de protéger les jauges d'extensométrie, les capteurs de force U93 sont soudés à une fine plaque à l'endroit adéquat. Ce procédé offre une grande protection des jauges contre les influences ambiantes. Pour ne pas porter atteinte à l'effet de cette protection, la plaque ne doit en aucun cas être endommagée. *Voir paragraphe 6.2, page 12.*

5 CONDITIONS SUR SITE

Protéger le capteur d'une trop forte humidité ou des intempéries, telles que la pluie, la neige, le gel et l'eau salée.

5.1 Température ambiante

L'influence de la température sur le zéro et la sensibilité est compensée.

Il convient de respecter la plage nominale de température pour obtenir de meilleurs résultats. Le mieux est d'avoir des températures constantes ou, au pire, qui changent lentement. Les erreurs de mesure liées à la température sont causées par un échauffement, tel qu'une chaleur rayonnante, ou un refroidissement unilatéral. Un blindage anti-rayonnement et une isolation thermique de tous les côtés permettent une nette amélioration, mais ils ne doivent pas former un shunt.

5.2 Humidité

Les capteurs de force de la série U93 sont soudés hermétiquement et atteignent la classe de protection IP67 selon DIN EN 60529 (conditions d'essai : 100 heures sous 1 m de colonne d'eau). Les capteurs de force doivent toutefois être protégés contre une présence permanente d'humidité.

Note

Aucune humidité ne doit pénétrer dans l'extrémité libre du câble de liaison. Sinon, cela peut modifier les valeurs caractéristiques du capteur et conduire ainsi à des mesures erronées.

Le capteur doit être protégé contre les produits chimiques susceptibles d'attaquer l'acier du corps du capteur ou le câble. Pour les capteurs de force en acier inoxydable, il faut noter que les acides et toutes les substances libérant des ions attaquent également les aciers inoxydables et leurs cordons de soudure.

La corrosion éventuelle qui peut en résulter est susceptible d'entraîner la défaillance du capteur de force. Dans ce cas, il faut prévoir des mesures de protection appropriées.

5.3 Dépôts

La poussière, l'encrassement et autres corps étrangers ne doivent pas s'accumuler de manière à dévier une partie de la force de mesure et ainsi à fausser la valeur de mesure (shunt).

Note

Des erreurs de mesure peuvent se produire lorsque de la poussière ou des saletés se déposent à l'intérieur des capteurs de force. Les zones concernées sont repérées par des flèches sur la Fig. 5.1.

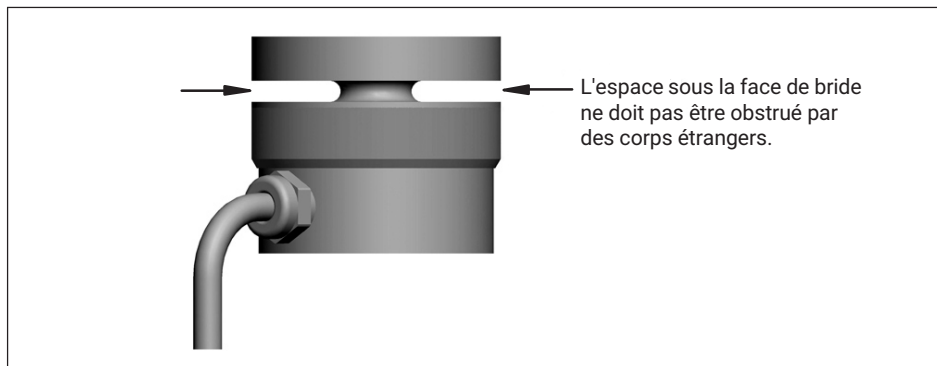


Fig. 5.1 Éviter tout dépôt aux endroits signalés

6.1 Précautions importantes lors du montage

- Manipuler le capteur avec précaution.
- Aucun courant de soudage ne doit traverser le capteur. Si cela risque de se produire, le capteur doit être shunté électriquement à l'aide d'une liaison de basse impédance appropriée. HBM propose par ex. à cet effet le câble de mise à la terre EEK extrêmement flexible qui se visse au-dessus et en dessous du capteur.
- S'assurer que le capteur ne peut pas être surchargé.



AVERTISSEMENT

En cas de surcharge du capteur, ce dernier risque de se briser. Cela peut être dangereux pour les opérateurs de l'installation dans laquelle le capteur est monté.

Prendre des mesures de protection appropriées pour éviter toute surcharge ou pour se protéger des risques qui pourraient en découler.

6.2 Directives de montage générales

Les forces à mesurer doivent, autant que possible, agir précisément sur le capteur dans le sens de la mesure. Les moments de torsion et de flexion, les charges excentrées et les forces transverses risquent d'entraîner des erreurs de mesure et de détruire le capteur lors d'un dépassement des valeurs limites.

Note

Le capteur est fermé hermétiquement en sa partie inférieure par un fond soudé. Ce fond est très fin et ne doit donc pas être soumis à des charges mécaniques (Fig. 6.1) sous peine d'endommager le boîtier. De l'humidité pourrait alors pénétrer dans le boîtier et détruire le capteur.

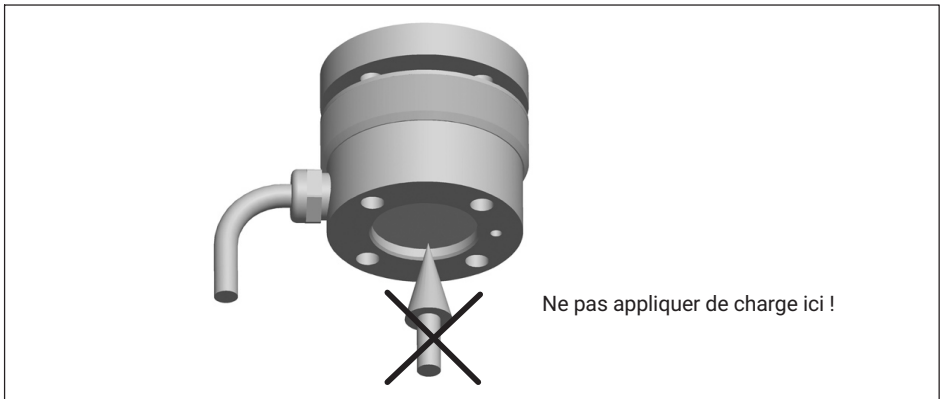


Fig. 6.1 Éviter d'appliquer une charge sur la surface signalée



Important

Le côté de fixation du câble du capteur doit toujours être relié directement aux zones de transfert de force rigides côté client. Veiller à ce que le câble soit posé de façon à ce qu'il engendre le moins de shunt possible (par ex. de par son poids ou la rigidité du câble).

6.3 Montage pour la charge en traction/compression

Le capteur est vissé directement (via les faces de bride annulaires) sur un élément de construction rigide entièrement porteur (par ex. profilé, plafond ou plaque). Dans ce type de montage, les capteurs peuvent mesurer des forces axiales en traction et en compression. Ce montage permet également de détecter parfaitement les charges alternées.

- Pour un positionnement exact, le capteur est équipé de dispositifs de centrage sur les surfaces de montage supérieure et inférieure.
- Les surfaces de montage supérieure et inférieure doivent être planes. La rugosité de la surface d'appui côté support ne doit pas dépasser $R_a = 0,8 \mu\text{m}$.
- L'élément monté sur le U93 doit être suffisamment dur pour ne pas se déformer sous charge. Nous recommandons une dureté de 43 HRC.
- Nettoyer soigneusement les surfaces d'appui avant le montage.
- Pour les charges alternées dynamiques, le couple de serrage des vis doit être choisi de façon à ce que les vis soient préchargées jusqu'à plus de la charge de fonctionnement du capteur. Pour connaître les données nécessaires, se reporter au tableau ci-dessous.

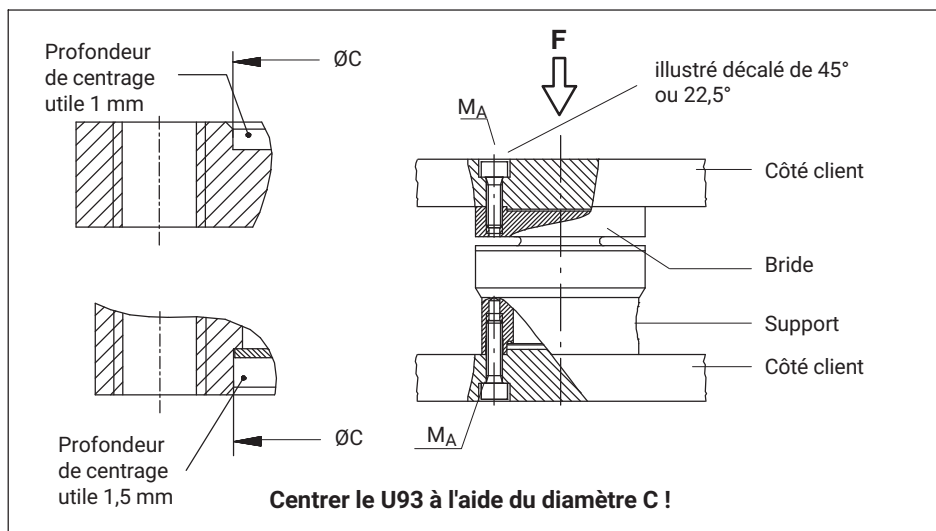


Fig. 6.2 Montage du capteur de force

Force nominale (kN)	Diamètre de centrage C ^{H8}	Couple de serrage M _A (N·m)	Vis destinées au montage du capteur	Longueur de filet mini côté support (mm)
1kN ... 10kN	18	9	4 x M 5 ; 12.9	5
20kN ... 50kN	32	16	8 x M 6 ; 12.9	8



Important

Lors du vissage au niveau du taraudage débouchant supérieur, s'assurer qu'il reste toujours un espace entre la vis et le corps du capteur, même lorsque l'on y applique la force nominale. Dans le cas contraire, il se crée un shunt qui entraîne des mesures erronées.

7 RACCORDEMENT ÉLECTRIQUE

Les capteurs sont fournis d'origine avec un câble de 3 m à extrémités libres, les extrémités de câble étant codées par des couleurs. Le blindage du câble est raccordé selon le concept Greenline. Le système de mesure est ainsi entouré d'une cage de Faraday. Les perturbations électromagnétiques n'ont donc aucune influence sur le système de mesure.

Il est nécessaire de monter des connecteurs conformes à la norme CE sur les capteurs ayant une extrémité libre. *Le blindage doit alors être posé en nappe.*

Pour les autres techniques de raccordement, il faut prévoir un blindage conforme CEM dans la zone des fils torsadés, celui-ci devant également être posé en nappe (*voir aussi les informations Greenline de HBM, brochure i1577*).

7.1 Consignes de câblage

- Utiliser uniquement des câbles de mesure blindés de faible capacité de HBM.
- Ne pas poser les câbles de mesure en parallèle avec des lignes de puissance ou de contrôle. Si cela n'est pas possible (par exemple dans les puits à câbles), protéger le câble de mesure, par ex. à l'aide de tubes d'acier blindés et maintenir une distance d'au moins 50 cm avec les autres câbles. Vriller les lignes de puissance ou de contrôle (15 tours par mètre).
- Éviter les champs de dispersion des transformateurs, moteurs et vannes.
- Ne pas mettre plusieurs fois à la terre le capteur, l'amplificateur et l'unité d'affichage. Raccorder tous les appareils de la chaîne de mesure au même fil de terre.
- Le blindage du câble de liaison est relié au boîtier du capteur.
- Respecter le schéma de connexion et le concept de mise à la terre (Greenline).
- Pour ne pas perdre en précision, toute rallonge de câble doit être réalisée en technique six fils.

7.2 Affectation des fils conducteurs

Si le capteur est raccordé selon le schéma ci-dessous (*Fig. 7.1*), la tension de sortie de l'amplificateur de mesure est positive lorsque le capteur est sollicité en compression.

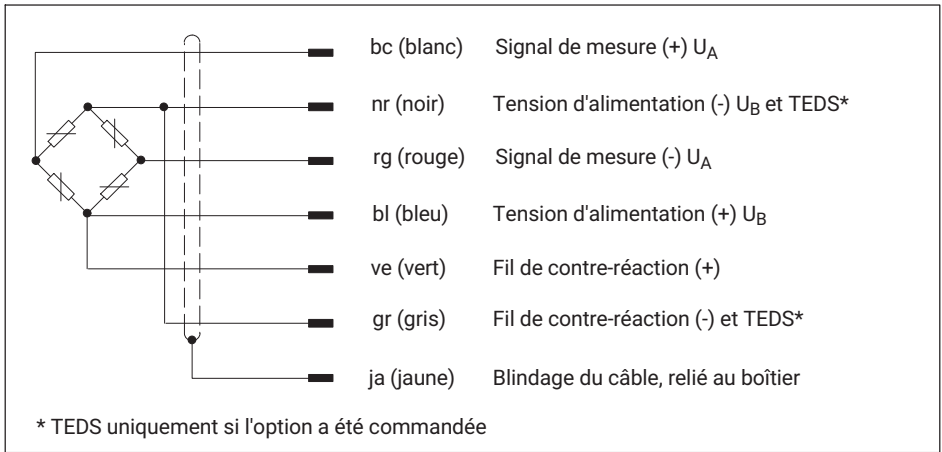


Fig. 7.1 Code de raccordement du U93 (technique six fils)



Conseil

Si, en compression, il faut une tension de sortie négative sur l'amplificateur, intervertir les fils conducteurs blanc et rouge.

7.2.1 Raccordement à des bornes

1. Inciser la gaine de câble comme indiqué sur la Fig. 7.2 afin d'accéder au blindage.
2. Raccorder le blindage en nappe à la masse du boîtier.

7.2.2 Raccordement à un connecteur

Raccorder le blindage en nappe au boîtier de connexion.

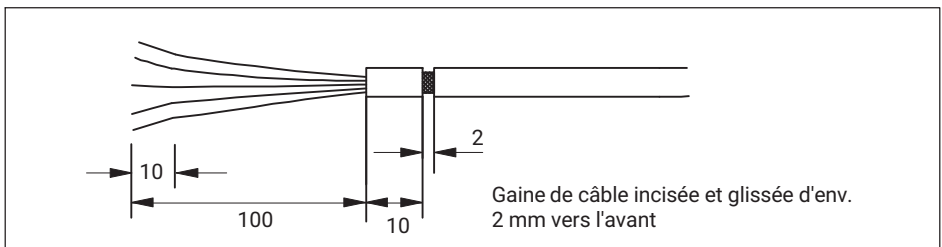


Fig. 7.2 Gaine de câble incisée

7.3 Identification des capteurs TEDS

Les capteurs de force de la série U93 peuvent être obtenus avec une puce TEDS intégrée. TEDS est l'abréviation de "Transducer Electronic Data Sheet" (fiche technique électronique intégrée au capteur).

Une fiche technique électronique selon la norme IEEE 1451.4 peut ainsi être enregistrée dans le capteur. Elle regroupe des caractéristiques techniques qui permettent le réglage automatique de l'amplificateur de mesure. Un amplificateur de mesure équipé en conséquence extrait les caractéristiques du capteur (fiche technique électronique) et les convertit pour qu'elles conviennent à ses propres réglages ; la mesure peut démarrer.

Un système d'identification numérique est disponible au niveau de la borne grise (contre la masse sur la borne noire). Ce système repose sur une EEPROM 1-Wire DS2433 de la société Maxim de Dallas.

Pour enregistrer les données, HBM propose l'éditeur TEDS. Ce programme fait partie du logiciel MGCplus-Assistent ou du module TEDSdongle de HBM qui permet de programmer le TEDS, même sans amplificateur.

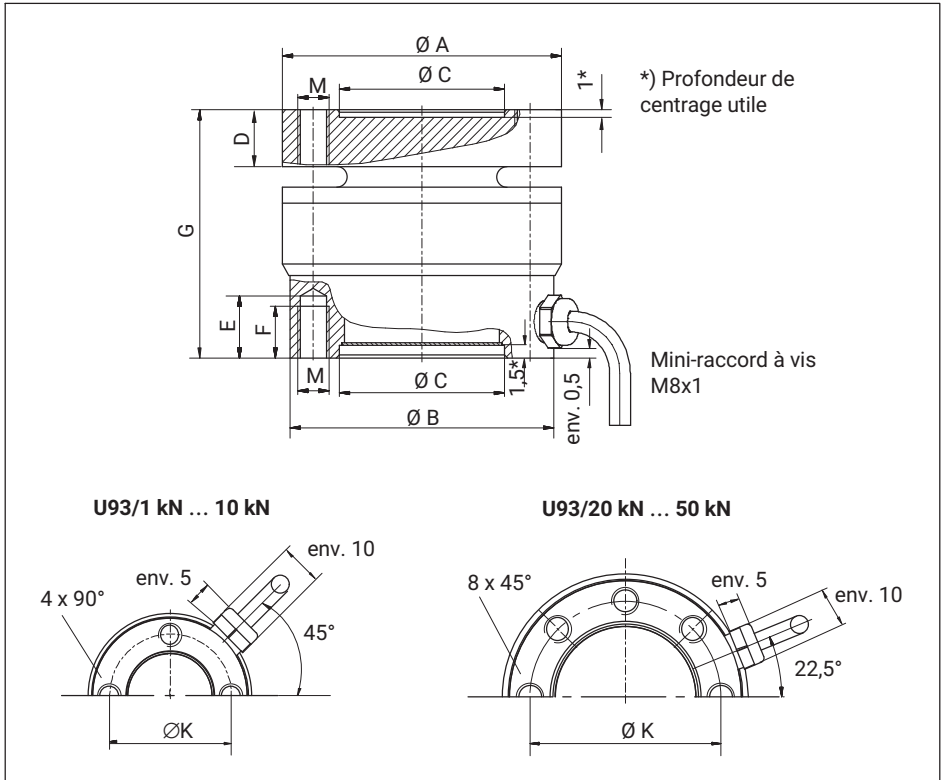
8 CARACTÉRISTIQUES TECHNIQUES (VDI/VDE 2638)

Force nominale	F_{nom}	kN	1	2	5	10	20	50
Sensibilité nominale	C_{nom}	mV/V	0,5	1	0,5	1	0,5	1
Écart relatif de la sensibilité (pression)	d_C	%	< ± 0,5					
Écart relatif du zéro	$d_{s,0}$	mV/V	< ± 0,075					
Erreur de réversibilité relative (0,5 F_{nom} à F_{nom})	$v_{0,5}$	%	< ± 0,5					
Erreur relative de linéarité (pression)	d_{lin}	%	< ± 0,5					
Influence de la température sur la sensibilité/10 K rapportée à la sensibilité nominale	TK_C	%	< ± 0,5					
Influence de la température sur le zéro/10 K rapportée à la sensibilité nominale	TK_0	%	< 0,8	< 0,5	< 0,8	< 0,5	< 0,8	< 0,5
Influence d'une force transverse ¹⁾ (force transverse 10 % F_{nom})	d_Q	%	< 0,2	< 0,5		< 0,4		
Influence de l'excentricité par mm	d_E	%	< 0,07	< 0,03		< 0,12		
Fluage relatif sur 30 min	d_{crf+E}	%	< ± 0,2					
Résistance d'entrée	R_e	Ω	> 295					
Résistance de sortie	R_s	Ω	190 ... 400					
Résistance d'isolement	R_{is}	Ω	> 1x 10 ⁹					
Tension d'alimentation de référence	U_{ref}	V	5					
Plage utile de la tension d'alimentation	$B_{U,G}$	V	0,5 ... 12					
Plage nominale de température	$B_{t,no}$ m	°C	-10 ... +70					
Plage utile de température	$B_{t,G}$	°C	-30 ... +85					
Plage de température de stockage	$B_{t,S}$	°C	-50 ... +85					

Force nominale	F _{nom}	kN	1	2	5	10	20	50
Température de référence	t _{ref}	Ω	+23					
Force utile maximale	F _G	%	180					
Force de rupture	F _B	%	> 400		> 300		> 300	
Force transverse limite ¹⁾	F _Q	%	100		80		40	
Excentricité de l'application de force admissible	e _G	mm	1,5		3		6	
Déplacement nominal (± 15%)	S _{nom}	mm	0,01	0,02	0,02	0,04	0,01	0,03
Fréquence propre	f _G	kHz	7,9		11,7		10,3	
Poids avec câble (env.)		g	200				600	
Charge dynamique admissible	F _{rb}	%	150					
Raccordement par câble, technique six fils			3 m de long ; diamètre extérieur 4 mm ; 6 x 0,08 mm ² ; gaine PUR ; rayon de courbure mini. R10					
Degré de protection selon DIN EN 60529			IP67					
Identification du capteur (optionnel)			TEDS, selon IEEE 1451.4					

¹⁾ rapportée à un point d'introduction de force sur la surface d'introduction de force

9 DIMENSIONS



Force nominale	$\varnothing A$	$\varnothing B$	$\varnothing C^{H8}$	D	E	F	G	$\varnothing K^{\pm 0,1}$	M
U93/1kN ... 10 kN	35	33	18	6,2	9	7	30,5	26	M5
U93/20kN ... 50 kN	54	51	32	11	12	10	48	42	M6

10 OPTIONS

Le numéro de commande des versions de préférence est 1-U93..., celui des versions spécifiques au client est K-U93...

Version de préférence

Force nominale	Numéro de commande
1 kN	1-U93/1 kN
2 kN	1-U93/2 kN
5 kN	1-U93/5 kN
10 kN	1-U93/10 kN
20 kN	1-U93/20 kN
50 kN	1-U93/50 kN

Version de préférence livrable rapidement

Capteur de force U93, versions en option

Force nominale	Longueur de câble	Type de câble	TEDS
1 kN 1K00	3 m 3	Extrémités libres Y	Avec TEDS T
2 kN 2K00	6 m 06	Connecteur D-SUB 15 pôles F	Sans TEDS S
5 kN 5K00	12 m 12	Connecteur D-SUB-HD 15 pôles Q	
10 kN 10K0		Connecteur MS3106PEMV N	
20 kN 20K0			
50 kN 50K0			

Exemple de commande

K-U93-	2K00-	03-	Y-	S
---------------	--------------	------------	-----------	----------

Capteur de force U93 d'une force nominale de 2 kN, câble de 3 m, extrémités libres, sans TEDS

ENGLISH DEUTSCH FRANÇAIS ITALIANO

Istruzioni per il montaggio



U93

SOMMARIO

1	Note sulla sicurezza	3
2	Contenuto della fornitura	7
3	Note sull'impiego	8
4	Struttura e modo operativo	9
4.1	Corpo di misura	9
4.2	Protezione degli estensimetri	9
5	Condizioni nel luogo d'impiego	10
5.1	Temperatura ambientale	10
5.2	Umidità	10
5.3	Sedimenti	10
6	Montaggio meccanico	12
6.1	Misure importanti per il montaggio	12
6.2	Direttive generali per il montaggio	12
6.3	Montaggio per il carico di trazione/compressione	13
7	Collegamento elettrico	15
7.1	Avvisi per il cablaggio	15
7.2	Disposizione dei fili	15
7.2.1	Collegamento ai morsetti	16
7.2.2	Collegamento alla spina	16
7.3	Identificazione trasduttore TEDS	17
8	Dati tecnici (VDI/VDE 2638)	18
9	Dimensioni	20
10	Opzioni	21

Impiego conforme

I trasduttori di forza della serie U93 sono concepiti esclusivamente per la misurazione di forze trazione e compressione statiche e dinamiche, entro i limiti di carico specificati nei Dati Tecnici del relativo carico nominale. Qualsiasi altro impiego verrà considerato non conforme.

Per garantire la sicurezza operativa, si devono assolutamente osservare le indicazioni delle istruzioni di montaggio, le seguenti note sulla sicurezza e le specifiche indicate nei prospetti dati tecnici. Devono inoltre essere osservate le normative legali e sulla sicurezza in vigore per ogni particolare applicazione.

I trasduttori di forza non si possono impiegare quali componenti di sicurezza. A tal proposito, consultare anche il paragrafo "Misure di sicurezza supplementari". Il funzionamento corretto e sicuro dei trasduttori di forza presuppone che il trasporto, il magazzinaggio, l'installazione e il montaggio siano adeguati e che l'impiego sia accurato.

Limiti di capacità di carico

Utilizzando i trasduttori di forza osservare assolutamente i limiti specificati nei prospetti dati tecnici. In particolare, non si devono superare in alcun caso i carichi massimi specificati. Non superare i seguenti valori indicati nei prospetti dati tecnici

- Carichi limite
- Carichi laterali limite
- Carichi di rottura
- Carichi dinamici ammissibili
- Limiti di temperatura
- Limiti di capacità di carico elettrica

Considerare che quando più trasduttori di forza sono collegati in parallelo, non sempre la ripartizione dei carichi o delle forze risulta uniforme.

Impiego come elementi di macchinari

I trasduttori di forza possono essere usati come elementi di macchinari. Con tale tipo di utilizzo, tenere presente che, per ottenere una sensibilità elevata, i trasduttori di forza non sono stati progettati con i fattori di sicurezza usuali dell'ingegneria meccanica. A tale proposito, fare riferimento al paragrafo "Limiti di capacità di carico" ed ai Dati tecnici.

Prevenzione degli infortuni

Nonostante la forza nominale specificata nel campo di distruzione sia un multiplo del fondo scala del campo di misura, si devono osservare le pertinenti prescrizioni antinfortunistiche emanate dalle associazioni di categoria.

Misure di sicurezza supplementari

Essendo elementi passivi, i trasduttori di forza non possono provocare spegnimenti (rilevanti per la sicurezza). Sono pertanto necessari ulteriori componenti e misure strutturali a cura e responsabilità dell'installatore e del gestore dell'impianto.

Nei casi in cui la rottura o il malfunzionamento dei trasduttori di forza possa provocare danni alle persone o alle cose, l'utente deve prendere le opportune misure di sicurezza aggiuntive che soddisfino almeno i requisiti di sicurezza e di prevenzione degli infortuni in vigore (ad es. arresti automatici di emergenza, protezioni da sovraccarico, cinghie o catene di arresto oppure altri dispositivi di protezione antiribaltamento).

L'elettronica che elabora il segnale di misura deve essere concepita in modo tale che l'eventuale assenza del segnale di misura non causi alcun danno conseguente.

Pericoli generici in caso di non-osservanza delle istruzioni di sicurezza

I trasduttori di forza sono conformi allo stato dell'arte e senza rischio di guasto. I trasduttori possono costituire fonte di pericolo se vengono montati, installati, impiegati e usati in modo non conforme o da personale non addestrato. Chiunque sia incaricato dell'installazione, messa in funzione, uso o riparazione dei trasduttori di forza, dovrà aver letto e compreso le istruzioni di montaggio e in particolare gli avvisi sulla sicurezza. Se i trasduttori di forza non vengono impiegati secondo la loro destinazione d'uso o vengono ignorate le istruzioni di montaggio e di funzionamento o trascurate queste note sulla sicurezza (norme anti infortuni in vigore) durante il loro maneggio, è possibile che essi vengano danneggiati o distrutti. In particolare sovraccarichi possono provocare la rottura dei trasduttori di forza. La rottura di un trasduttore di forza può causare lesioni alle persone o danni alle cose presenti nella zona circostante.

Se i trasduttori di forza non vengono impiegati secondo la loro destinazione d'uso o vengono ignorate le istruzioni di montaggio o di esercizio, sono possibili guasti o malfunzionamenti con la conseguenza di danneggiare persone o cose, a causa dei carichi agenti o di quelli controllati dal trasduttore stesso.

Le prestazioni e il contenuto della fornitura del trasduttore coprono solo una piccola parte della tecnica di misura delle forze, poiché le misurazioni con trasduttori ad ER (resistivi) presuppongono una gestione elettronica del segnale. I progettisti, i fornitori e i gestori dell'impianto devono inoltre progettare, realizzare gli aspetti concernenti la sicurezza della tecnica di misura delle forze e assumersene la responsabilità, in modo da minimizzare i pericoli residui. Osservare le prescrizioni rispettivamente in vigore.

Il simbolo seguente rimanda a una *possibile* situazione di pericolo che – in caso di mancato rispetto delle disposizioni di sicurezza – *può causare* la morte o lesioni gravissime.



AVVERTIMENTO

Descrizione di una situazione eventualmente pericolosa
Misure per la prevenzione del pericolo

Il simbolo seguente rimanda a una situazione che – in caso di mancato rispetto delle disposizioni di sicurezza – *può causare* danni materiali.

Avviso

Descrizione di una situazione che può causare danni materiali

Il simbolo seguente rimanda a informazioni importanti sul prodotto o sul suo uso.



Importante

Indicazioni importanti

Il simbolo seguente comprende consigli sull'uso o altre informazioni utili per l'utente.



Consiglio

Informazione/avviso sull'uso

Conversioni e modificazioni

Senza il nostro esplicito benestare, non è consentito apportare al trasduttore modifiche dal punto di vista strutturale e della sicurezza. Qualsiasi modifica annulla la nostra eventuale responsabilità per i danni che ne potrebbero derivare.

Manutenzione

Il trasduttore di forza U93 è esente da manutenzione.

Smaltimento

Conformemente alla legislazione nazionale e locale sulla tutela dell'ambiente e sul recupero e riciclaggio dei materiali, i trasduttori non più utilizzabili devono essere smaltiti separatamente dai normali rifiuti domestici.

Per ulteriori informazioni sullo smaltimento, contattare le autorità locali o il rivenditore da cui si è acquistato il prodotto.

Personale qualificato

Per personale qualificato s'intendono coloro che abbiano familiarità con l'installazione, il montaggio, la messa in funzione e l'impiego del prodotto e che abbiano conseguito la corrispondente qualifica per la loro attività.

Fanno parte del personale qualificato persone che soddisfino almeno uno dei tre seguenti requisiti:

1. Quale personale del progetto si devono conoscere i concetti sulla sicurezza della tecnica di automazione ed avere familiarità con essi.
2. Quali operatori di impianti di automazione si deve aver ricevuto l'addestramento sulla sua gestione. Si deve avere familiarità con l'uso della strumentazione e delle tecnologie descritte in questa documentazione.
3. Si deve essere incaricati della messa in funzione o degli interventi di assistenza ed avere conseguito la qualifica per la riparazione degli impianti di automazione. Infine, dispone dell'autorizzazione per la messa in funzione, la messa a terra e l'identificazione dei circuiti elettrici e degli strumenti in conformità alle normative relative alla tecnica di sicurezza.

Durante l'uso devono essere inoltre osservate le normative legali e sulla sicurezza previste per ogni specifica applicazione. Quanto sopra affermato vale anche per l'uso di accessori.

Il trasduttore di forza deve essere utilizzato esclusivamente da personale qualificato ed in maniera conforme alle specifiche tecniche ed alle norme e prescrizioni di sicurezza qui riportate.

2 CONTENUTO DELLA FORNITURA

- Trasduttore di forza U93
- Manuale d'istruzione U93
- Relazione di prova

3 NOTE SULL'IMPIEGO

I trasduttori di forza della serie U93 sono idonei alla misurazione di forze di trazione e compressione. Misurano forze statiche e dinamiche con elevata accuratezza e devono essere usati con cura. Prestare particolare attenzione durante il trasporto e il montaggio degli strumenti. Urti o cadute possono danneggiare permanentemente il trasduttore.

L'impermeabilizzazione accurata per la protezione delle applicazioni con estensimetri delicate attraverso la custodia deve essere assolutamente garantita. Pertanto è necessario maneggiare con particolare attenzione la base della custodia poiché è molto sottile.

I limiti delle sollecitazioni meccaniche, termiche ed elettriche ammissibili sono indicati nei Dati tecnici a pagina 18. È essenziale tener conto di questi limiti durante la pianificazione della disposizione di misurazione, il montaggio e quindi durante l'esercizio.

4 STRUTTURA E MODO OPERATIVO

4.1 Corpo di misura

L'elemento di misura è un corpo elastico di acciaio inossidabile su cui sono installati gli estensimetri (ER). Gli ER sono disposti in modo tale che, applicando una forza al trasduttore, due di essi si accorciano e gli altri due si allungano.

4.2 Protezione degli estensimetri

Una sottile lamina saldata ricopre la zona del trasduttore di forza U93 dove sono applicati gli ER per la protezione di questi ultimi. Questo metodo fornisce un'elevata protezione degli ER dalle influenze ambientali. Per non compromettere l'azione di protezione, questa lamina non deve essere in nessun caso danneggiata, *vedi paragrafo 6.2 a pagina 12*.

5 CONDIZIONI NEL LUOGO D'IMPIEGO

Proteggere il trasduttore dall'umidità estrema o da condizioni ambientali quali la pioggia, la neve, il ghiaccio e l'acqua salmastra.

5.1 Temperatura ambientale

Le influenze della temperatura sullo zero e sulla sensibilità vengono compensate.

Per ottenere risultati di misura ottimali, rispettare il campo nominale di temperatura. La massima compensazione si ha per variazioni termiche costanti o lentamente variabili. Errori di misura dovuti alla temperatura possono essere provocati dal riscaldamento o raffreddamento monolaterale (p. es. irraggiamento). Uno schermo antiradiazioni e un isolamento termico avvolgente comportano notevoli miglioramenti. Tuttavia fare attenzione a non provocare una derivazione della forza.

5.2 Umidità

I trasduttori di forza della serie U93 sono saldati a tenuta ermetica e raggiungono la classe di protezione IP67 ai sensi della norma DIN EN 60529 (condizioni di prova: 100 ore sotto 1 m di colonna d'acqua). Ciò nonostante, nel caso di esposizione continuativa all'umidità, i trasduttori di forza devono essere ulteriormente protetti.

Avviso

Non consentire all'umidità di penetrare dall'estremità libera del cavo di collegamento. Essa potrebbe far variare i valori caratteristici del trasduttore causare perciò errori di misura.

Il trasduttore deve essere protetto dall'azione di sostanze chimiche che aggrediscano l'acciaio del corpo del trasduttore o il cavo. Per trasduttori di forza in acciaio inossidabile considerare che gli acidi e tutte le sostanze che rilasciano ioni intaccano anche gli acciai inossidabili e i relativi cordoni di saldatura.

Tale tipo di corrosione potrebbe causare il guasto del trasduttore di forza. In questo caso occorre prevedere misure di protezione idonee.

5.3 Sedimenti

Polvere, sporcizia ed altri corpi estranei non si devono accumulare sul trasduttore, poiché potrebbero deviare parte della forza di misura e falsare così il valore di misura (derivazione della forza).

Avviso

I depositi di polvere o sporcizia sui trasduttori di forza possono provocare errori di misura. Le zone più soggette a tali accumuli sono indicate dalle frecce nella Fig. 5.1.

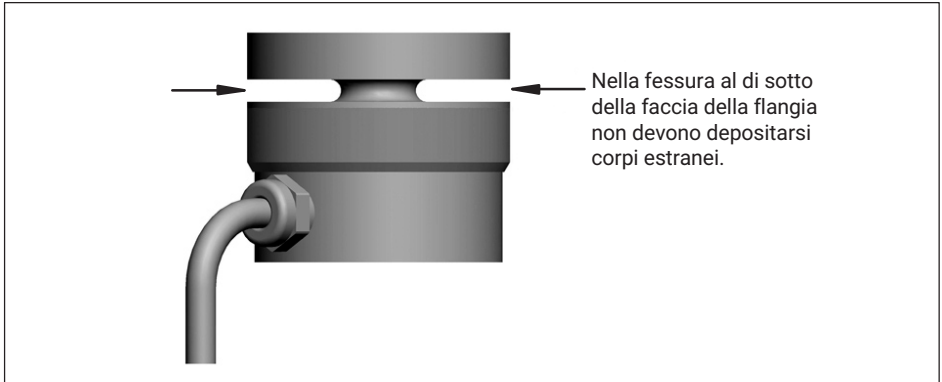


Fig. 5.1 Evitare i depositi sui punti contrassegnati

6.1 Misure importanti per il montaggio

- Maneggiare con cura il trasduttore.
- Sul trasduttore non devono fluire correnti di saldatura. Qualora sussista questo pericolo, è necessario ponticellare elettricamente il trasduttore con un collegamento a bassa resistenza idoneo. A tale scopo, utilizzare, ad esempio, l cavo di messa a terra altamente flessibile EEK di HBM, fissandolo sopra e sotto il trasduttore.
- Assicurarci che il trasduttore non possa essere sovraccaricato.



AVVERTIMENTO

Nel caso di sovraccarico, esiste il rischio di rottura del trasduttore. In questo modo possono derivare pericoli per gli operatori dell'impianto in cui il trasduttore è montato. Adottare misure di sicurezza idonee per prevenire un sovraccarico o per la protezione da pericoli derivanti.

6.2 Direttive generali per il montaggio

Le forze da misurare devono agire sul trasduttore con la massima precisione possibile nella direzione di misura. I momenti di torsione, i momenti flettenti, i carichi eccentrici e le forze laterali possono causare errori di misura e, superando i valori limite, distruggere il trasduttore.

Avviso

Il trasduttore è sigillato ermeticamente sul lato inferiore tramite una base saldata. Questa base è molto sottile e non può essere sottoposta a sollecitazione meccanica (Fig. 6.1), poiché altrimenti la custodia subirebbe danni. In questo modo l'umidità può penetrare e distruggere il trasduttore.

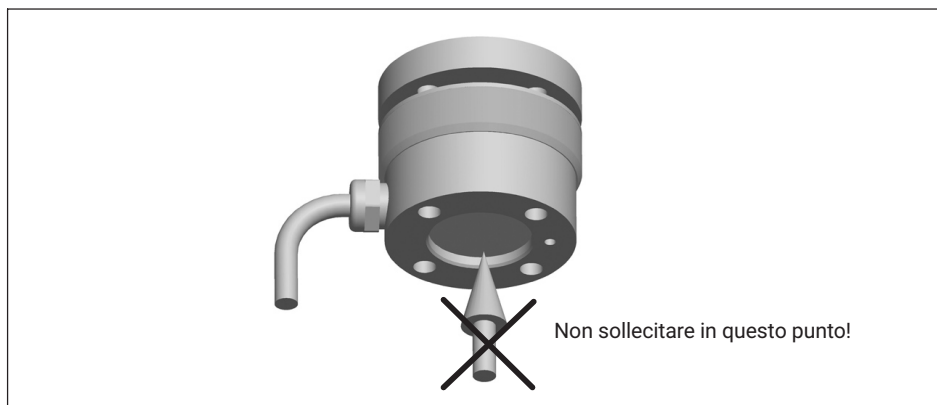


Fig. 6.1 Evitare di sollecitare la superficie contrassegnata



Importante

Il lato di uscita del cavo del trasduttore dovrebbe essere sempre fissato direttamente alla parte rigida di trasferimento della forza dell'utente. Fare attenzione a disporre il cavo in modo che esso non provochi forze parassite, ad esempio a causa del suo peso o della sua rigidità.

6.3 Montaggio per il carico di trazione/compressione

Il trasduttore viene avvitato direttamente (tramite le facce della flangia anulari) ad un elemento strutturale rigido ed adeguatamente portante (ad es. profilato, coperchio o piastra). Con questo tipo di montaggio i trasduttori possono misurare forze assiali nella direzione di trazione e di compressione. Vengono rilevati perfettamente anche carichi alternati.

- Per l'esatto posizionamento, il trasduttore dispone di ausili di centraggio sulle superfici di montaggio superiore ed inferiore.
- Le superfici di appoggio superiore e inferiore devono essere lavorate in modo da essere piane. Per la superficie di appoggio sul lato della base, la ruvidezza non dovrebbe essere superiore a $R_a = 0,8 \mu\text{m}$.
- Il componente che viene montato sull'U93 deve essere sufficientemente duro e non deve deformarsi se sollecitato. Consigliamo una durezza di 43 HRC.
- Prima del montaggio pulire accuratamente le superfici di appoggio.
- Per i carichi alternati dinamici, la coppia di serraggio delle viti deve essere tale da precaricare le viti fino a superare il carico di esercizio del trasduttore. I dati necessari sono rappresentati nella tabella seguente.

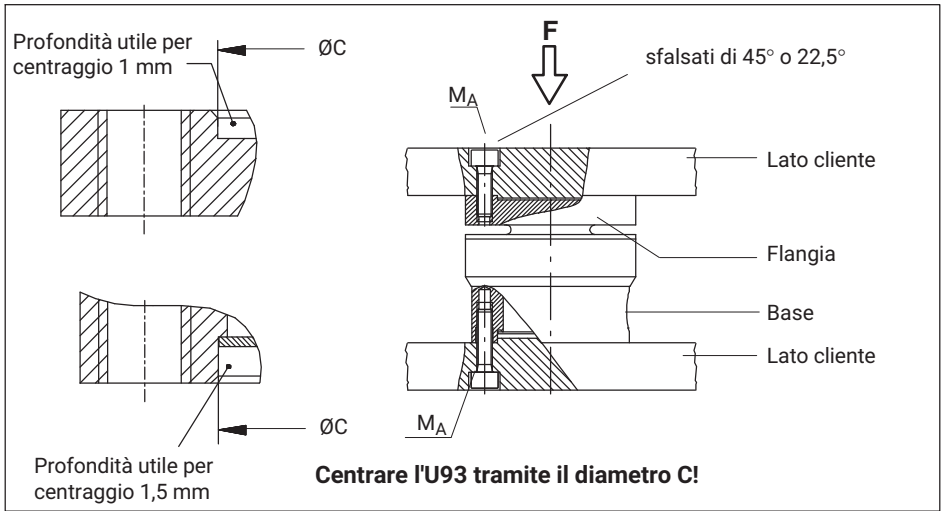


Fig. 6.2 Montaggio del trasduttore di forza

Forza nominale (kN)	Diametro di centraggio C ^{H8}	Coppia di serraggio M _A (N·m)	Viti per il montaggio del trasduttore	Profondità di avvitamento min. lato base (mm)
1kN ... 10kN	18	9	4 x M 5; 12,9	5
20kN ... 50kN	32	16	8 x M 6; 12,9	8



Importante

Durante l'avvitamento tramite la filettatura passante superiore, prestare attenzione che anche in caso di carico con forza nominale rimanga una fessura tra la vite e il corpo del trasduttore. Altrimenti conseguenza è una derivazione della forza che causa errori di misurazione.

Di serie, il trasduttore viene fornito con cavo di collegamento di 3 m con estremità libere, le estremità del filo sono colorate. Lo schermo del cavo è collegato secondo il concetto Greenline. In tal modo il sistema di misura viene racchiuso in una gabbia di Faraday. I disturbi elettromagnetici non influiscono sul sistema di misura.

Nei trasduttori con estremità libera devono essere montate spine a norma CE.
La schermatura deve essere collegata su tutta la superficie.

Con altre tecniche di collegamento deve essere prevista una schermatura CEM anch'essa da collegare su tutta la superficie (vedi anche l'Informativa Greenline HBM, Pubblicazione i1577).

7.1 Avvisi per il cablaggio

- Utilizzare esclusivamente cavi di misura schermati ed a bassa capacità di HBM.
- Non posare i cavi di misura paralleli alle linee di alta tensione o alle linee di controllo. Se ciò non fosse possibile (ad es. in condotti), proteggere il cavo di misura ad es. in tubi di acciaio rinforzati e mantenere la distanza minima di 50 cm dagli altri cavi. Linee di alta tensione e di controllo dovrebbero essere intrecciate (15 intrecci al metro).
- Evitare campi di dispersione di trasformatori, motori e contattori.
- Non mettere a terra più volte il trasduttore, l'amplificatore e l'indicatore e collegare tutti i dispositivi della catena di misura allo stesso conduttore di protezione.
- Lo schermo del cavo di collegamento è collegato alla custodia del trasduttore.
- Osservare lo schema di collegamento e il concetto di messa a terra (Greenline).
- Per ottenere l'accuratezza di misura completa prevedere un cavo di prolungamento nel circuito a 6 fili.

7.2 Disposizione dei fili

Se il trasduttore viene collegato secondo lo schema di collegamento seguente (Fig. 7.1), la tensione di uscita sull'amplificatore di misura in caso di carico del trasduttore in direzione della pressione è positiva.

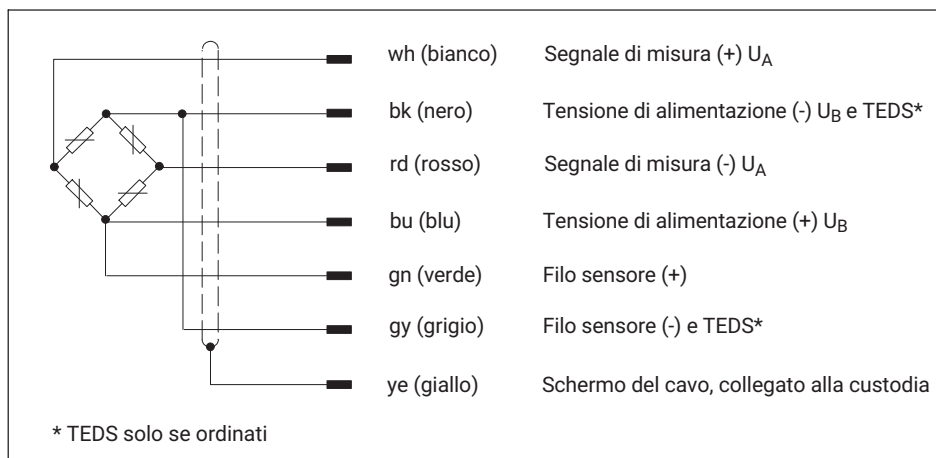


Fig. 7.1 Assegnazione dei collegamenti dell'U93 (circuito a 6 fili)



Consiglio

Scambiare i fili bianchi e rossi se con carico di compressione è necessaria una tensione di uscita negativa sull'amplificatore di misura.

7.2.1 Collegamento ai morsetti

1. Tagliare il mantello del cavo Fig. 7.2 per accedere allo schermo del cavo.
2. Connettere lo schermo del cavo su tutta la superficie della massa della custodia.

7.2.2 Collegamento alla spina

Posare lo schermo del cavo su tutta la superficie della custodia della spina.

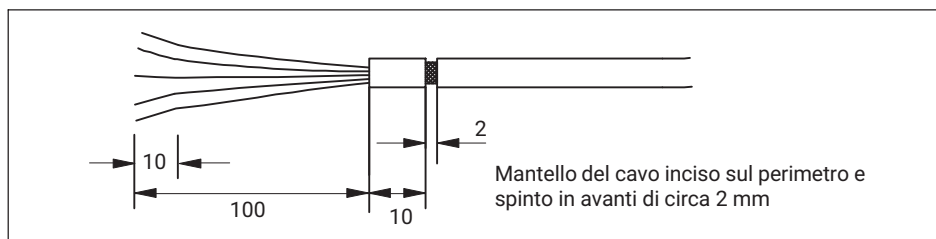


Fig. 7.2 Mantello del cavo inciso

7.3 Identificazione trasduttore TEDS

I trasduttori di forza della serie U93 possono essere acquistati con un TEDS integrato. TEDS è l'acronimo di "Transducer Electronic Data Sheet" (Prospetto Dati Elettronico Trasduttore).

Nel trasduttore è possibile salvare un prospetto dati elettronico conforme alla norma IEEE 1451.4 il quale consente la regolazione automatica dell'amplificatore di misura. Un amplificatore di misura adeguatamente predisposto legge i dati caratteristici del trasduttore (prospetto dati elettronico), li traduce in impostazioni appropriate e quindi la misurazione può essere avviata.

Al collegamento grigio (verso massa sul nero) è disponibile un sistema di identificazione digitale. La base è un EEPROM DS2433 a un filo del marchio Maxim/Dallas.

Per memorizzare i dati, HBM mette a disposizione il programma TEDS Editor. Questo fa parte ad es. del software MGCplus Assistant o del modulo TEDSdongle di HBM, che consente di programmare il TEDS anche senza amplificatore di misura.

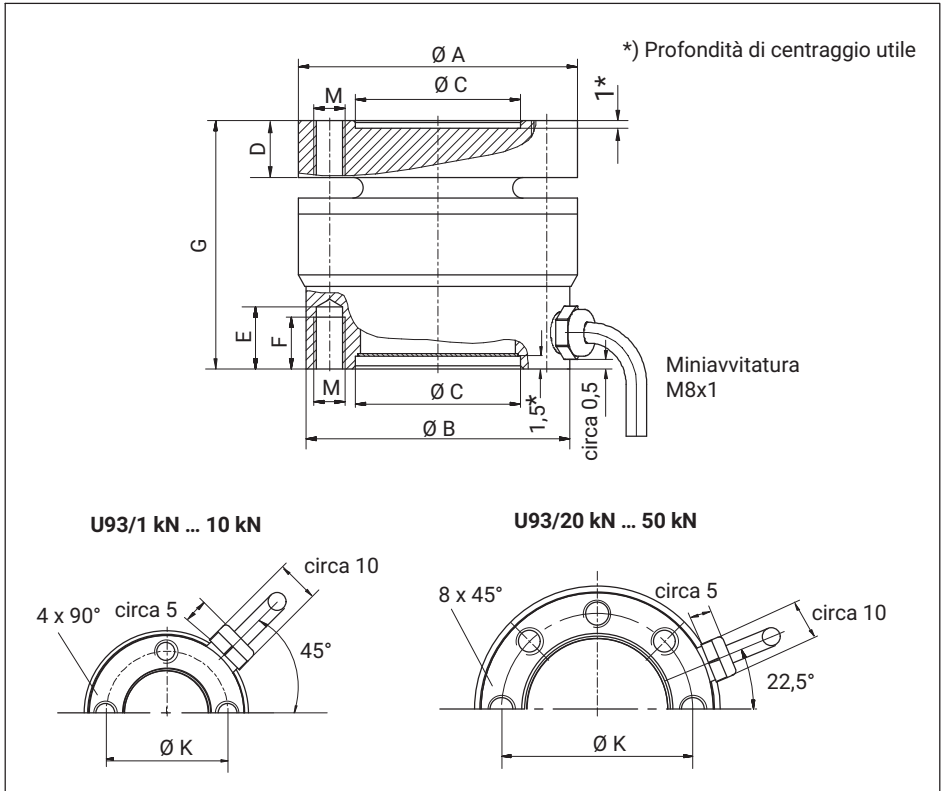
8 DATI TECNICI (VDI/VDE 2638)

Forza nominale	F _{nom}	kN	1	2	5	10	20	50
Sensibilità nominale	C _{nom}	mV/V	0,5	1	0,5	1	0,5	1
Tolleranza relativa della sensibilità (compressione)	d _C	%	< ± 0,5					
Deviazione relativa del segnale di zero	d _{s,0}	mV/V	< ± 0,075					
Isteresi relativa (0,5 F _{nom} fino a F _{nom})	v _{0,5}	%	< ± 0,5					
Deviazione relativa della linearità (compressione)	d _{lin}	%	< ± 0,5					
Coefficiente termico della sensibilità/10 K riferito alla sensibilità nominale	CT _s	%	< ± 0,5					
Coefficiente termico dello zero/10 K riferito alla sensibilità nominale	CT ₀	%	< 0,8	< 0,5	< 0,8	< 0,5	< 0,8	< 0,5
Effetto della forza laterale 1) (forza laterale 10% F _{nom})	d _Q	%	< 0,2		< 0,5		< 0,4	
Influenza dell'eccentricità al mm	d _E	%	< 0,07		< 0,03		< 0,12	
Scorrimento in 30 min.	d _{crf+E}	%	< ± 0,2					
Resistenza d'ingresso	R _e	Ω	> 295					
Resistenza di uscita	R _a	Ω	190 ... 400					
Resistenza di isolamento	R _{is}	Ω	> 1x 10 ⁹					
Tensione di alimentazione di riferimento	U _{rif}	V	5					
Campo operativo della tensione di alimentazione	B _{U,G}	V	0,5 ... 12					
Campo nominale di temperatura	B _{t,nom}	°C	-10 ... +70					
Campo della temperatura di esercizio	B _{t,G}	°C	-30 ... +85					

Forza nominale	F _{nom}	kN	1	2	5	10	20	50
Campo della temperatura di magazzinaggio	B _{t,S}	°C	-50 ... +85					
Temperatura di riferimento	t _{rif}	°C	+23					
Massima forza di esercizio	F _G	%	180					
Forza di rottura	F _B	%	> 400		> 300		> 300	
Forza laterale limite ¹⁾	F _Q	%	100		80		40	
Errore di coassialità amm. dell'elemento d'introduzione della forza	e _G	mm	1,5		3		6	
Deflessione nominale (±15%)	S _{nom}	mm	0,01	0,02	0,02	0,04	0,01	0,03
Frequenza propria di risonanza	f _G	kHz	7,9		11,7		10,3	
Peso incl. cavo (circa)		g	200				600	
Ampiezza rel. della vibrazione ammessa	F _{rb}	%	150					
Collegamento a cavo, circuito a 6 fili			Lunghezza cavo 3 m; diametro esterno 4 mm; 6 x 0,08 mm ² ; mantello del cavo in PUR; raggio di curvatura min. R10					
Grado di protezione secondo EN 60529			IP67					
Identificazione trasduttore (opzionale)			TEDS, secondo IEEE 1451.4					

¹⁾ Riferita a un punto di introduzione della forza sulla superficie di introduzione della forza

9 DIMENSIONI



Forza nominale	ØA	ØB	ØC ^{H8}	D	E	F	G	ØK ^{±0,1}	M
U93/1kN ...10 kN	35	33	18	6,2	9	7	30,5	26	M5
U93/20kN ... 50 kN	54	51	32	11	12	10	48	42	M6

10 OPZIONI

Il No. Ordine delle versioni preferenziali è 1-U93..., il No. Ordine delle versioni su specifica del cliente è K-U93...

Versione preferenziale

Forza nominale	No. Ordine
1 kN	1-U93/1 kN
2 kN	1-U93/2 kN
5 kN	1-U93/5 kN
10 kN	1-U93/10 kN
20 kN	1-U93/20 kN
50 kN	1-U93/50 kN

Versione preferenziale a breve termine di consegna

Trasduttore di forza U93, versioni opzionali

Forza nominale	Lunghezza del cavo	versione con cavo	TEDS
1 kN 1K00	3 m 3	Estremità libere Y	Con TEDS T
2 kN 2K00	6 m 06	D-sub-15HD, 15 poli F	Senza TEDS S
5 kN 5K00	12 m 12	D-sub-15HD, 15 poli Q	
10 kN 10K0		Spina MS3106PEMV N	
20 kN 20K0			
50 kN 50K0			

Esempio di ordinazione

K-U93-	2K00-	03-	Y-	S
---------------	--------------	------------	-----------	----------

Trasduttore di forza U93 con forza nominale di 2 kN, cavo di 3 m, estremità libere, senza TEDS

