

ENGLISH    DEUTSCH

# Mounting Instructions Montageanleitung



## TOP Transfer Z30A / Z4A

Hottinger Brüel & Kjaer GmbH  
Im Tiefen See 45  
D-64293 Darmstadt  
Tel. +49 6151 803-0  
Fax +49 6151 803-9100  
info@hbkworld.com  
www.hbkworld.com

Mat.: 7-2001.0504  
DVS: A02212 01 X00 01  
05.2022

© Hottinger Brüel & Kjaer GmbH

Subject to modifications.  
All product descriptions are for general information  
only. They are not to be understood as a guarantee of  
quality or durability.

Änderungen vorbehalten.  
Alle Angaben beschreiben unsere Produkte in allge-  
meiner Form. Sie stellen keine Beschaffenheits- oder  
Haltbarkeitsgarantie dar.

ENGLISH    DEUTSCH

## Mounting Instructions



## TOP Transfer Z30A / Z4A

# TABLE OF CONTENTS

---

<b>1</b>	<b>Safety instructions</b> .....	<b>3</b>
<b>2</b>	<b>Markings used</b> .....	<b>5</b>
2.1	The marking used in this document .....	5
2.2	The marking on the product .....	5
<b>3</b>	<b>Scope of supply</b> .....	<b>6</b>
<b>4</b>	<b>Application notes</b> .....	<b>8</b>
<b>5</b>	<b>Structure and mode of operation</b> .....	<b>9</b>
5.1	TOP-Z30A .....	9
5.2	TOP-Z4A .....	10
<b>6</b>	<b>Conditions on site</b> .....	<b>11</b>
6.1	Ambient temperature .....	11
6.2	Moisture and dampness .....	11
6.3	Air pressure .....	11
6.4	Chemical effects .....	11
6.5	Load disturbance variables .....	11
6.6	Electromagnetic compatibility .....	11
<b>7</b>	<b>Mechanical installation</b> .....	<b>12</b>
7.1	Important precautions during installation .....	12
7.2	Installation aids for compressive loading .....	12
7.2.1	Installation diagram for compressive loading .....	13
7.3	Installation aids for tensile loading .....	13
<b>8</b>	<b>Electrical connection</b> .....	<b>21</b>
8.1	Notes on cabling .....	21
8.2	Pin Assignment .....	21
8.3	TEDS transducer identification .....	23
<b>9</b>	<b>Technical data per VDI 2638 and ISO 376</b> .....	<b>24</b>
9.1	TOP-Z30A .....	24
9.2	TOP-Z4A .....	26
<b>10</b>	<b>Dimensions TOP Transfer</b> .....	<b>28</b>
10.1	TOP-Z30A and accessories .....	28
10.2	TOP-Z4A and accessories .....	33

# 1 SAFETY INSTRUCTIONS

---

## **Intended use**

The force transducers of TOP Transfer types: TOP-Z30A and TOP-Z4A must be used for force comparison measurements (force transfer). Use for any additional purpose shall be deemed to be **not** as intended.

In the interests of safety, the transducer should only be operated as described in the Mounting Instructions. It is also essential to observe the appropriate legal and safety regulations for the application concerned during use. The same applies to the use of accessories.

The transducer is not a safety element within the meaning of its use as intended. For safe and trouble-free operation, this transducer must not only be correctly transported, stored, sited and installed but must also be carefully operated and maintained.

## **General dangers of failing to follow the safety instructions**

The force transducers TOP-Z30A and TOP-Z4A are state-of-the-art and failsafe. Transducers can give rise to remaining dangers if they are inappropriately installed and operated by untrained personnel.

Everyone involved with the installation, commissioning, maintenance or repair of a force transducer must have read and understood the Mounting Instructions and in particular the technical safety instructions.

## **Remaining dangers**

The scope of supply and performance of the transducer covers only a small area of force measurement technology. In addition, equipment planners, installers and operators should plan, implement and respond to the safety engineering considerations of force measurement technology in such a way as to minimize remaining dangers. Prevailing regulations must be complied with at all times. There must be reference to the remaining dangers associated with force measurement technology.

## **Unauthorized conversions and modifications are prohibited**

The transducer must not be modified from the design or safety engineering point of view except with our express agreement. Any modification shall exclude all liability on our part for any damage resulting therefrom.

## **Qualified personnel**

These transducers must only be installed by qualified personnel, strictly in accordance with the specifications in conjunction with the safety requirements and regulations listed below. It is also essential to observe the appropriate legal and safety regulations for the application concerned. The same applies to the use of accessories.

Qualified personnel means persons entrusted with the installation, assembly, commissioning and operation of the product, who possess the appropriate qualifications for their function.

### **Conditions at the place of installation**

Protect the transducer from moisture and dampness or weather such as rain, snow, etc.

### **Maintenance**

The force transducers TOP-Z30A and TOP-Z4A are maintenance-free.







### **Accident prevention**

The prevailing accident prevention regulations must be taken into account, even though the nominal force values in the destructive range are well in excess of the full scale value.

## 2 MARKINGS USED

### 2.1 The marking used in this document

Important instructions for your safety are specifically identified. It is essential to follow these instructions in order to prevent accidents and damage to property.

Symbol	Significance
 <b>WARNING</b>	This marking warns of a <i>potentially</i> dangerous situation in which failure to comply with safety requirements <i>can</i> result in death or serious physical injury.
 <b>CAUTION</b>	This marking warns of a <i>potentially</i> dangerous situation in which failure to comply with safety requirements <i>can</i> result in slight or moderate physical injury.
<b>Notice</b>	This marking draws your attention to a situation in which failure to comply with safety requirements <i>can</i> lead to damage to property.
 <b>Important</b>	This marking draws your attention to <i>important</i> information about the product or about handling the product.
 <b>Tip</b>	This marking indicates application tips or other information that is useful to you.
 <b>Information</b>	This marking draws your attention to information about the product or about handling the product.
<i>Emphasis</i> See ...	Italics are used to emphasize and highlight text and identify references to sections, diagrams, or external documents and files.
	This marking indicates an action in a procedure

### 2.2 The marking on the product



The CE mark enables the manufacturer to guarantee that the product complies with the requirements of the relevant EU directives (the Declaration of Conformity can be found at <https://www.hbm.com/HBMdoc>).

### 3 SCOPE OF SUPPLY

---

- Force transducer TOP-Z30A, TOP-Z4A
- Operating instructions TOP Transfer

**The TOP Transfer force transducers are only available in conjunction with a DKD calibration** (not included in scope of supply)

- DKD calibration certificate to ISO 376                      Order No.      K-CAL-FD...

#### Accessories for TOP-Z30A

- **Knuckle eyes ZGW/ZGOW**

for 100 N to 1000 N:                      Order No.              1-U1R/200kg/ZGW

for 2 kN to 10 kN:                      Order No.              1-U2A/1t/ZGUW

- **Thrust piece** to ISO 376

for 100 N to 1000 N:                      Order No.              1-EDO3/1kN

for 2 kN to 10 kN:                      Order No.              1-EDO4/50kN

- **Load button**

for 100 N to 1000 N:                      Order No.              1-U1R/200kg/ZL

for 2 kN to 10 kN:                      Order No.              3-9202.0140

- **ZKM tensile force introduction part** to ISO 376

for 2 kN to 10 kN:                      Order No.              1-Z30/10kN/ZKM

- **Transportation box**

for 4 TOP-Z30A force transducer and accessories  
Order No.                      1-Z30/Box

#### Accessories for TOP-Z4A

- **ZKM tensile force introduction part** to ISO 376

for 20 kN:                      Order No.              1-Z4/20kN/ZKM

50 kN:                      Order No.              1-Z4/50kN/ZKM

100 kN:                      Order No.              1-Z4/100kN/ZKM

200 kN:                      Order No.              1-Z4/200kN/ZKM

500 kN:                      Order No.              1-Z4/500kN/ZKM



- **Knuckle eyes ZGUW/ZGOW**

for 20 kN:	Order No.	1-Z4/20kN/ZGOW 1-Z4/20kN/ZGUW
50 kN:	Order No.	1-U2A/2t/ZGOW 1-U2A/2t/ZGUW
100 kN:	Order No.	1-Z4/100kN/ZGOW 1-Z4/100kN/ZGUW
200 kN:	Order No.	1-U2A/10t/ZGOW 1-U2A/10t/ZGUW
500 kN:	Order No.	1-Z4/500kN/ZGOW 1-Z4/500kN/ZGUW

- **Thrust piece EDO4 to ISO 376**

20kN	Order No.	1-EDO4/20kN
50kN	Order No.	1-EDO4/50kN
100kN	Order No.	1-EDO4/100kN
200kN	Order No.	1-EDO4/200kN
500kN	Order No.	1-EDO4/500kN

### Cables/plugs

Description	Order no.
Connection cable Kab 139A-6, 6m,with female cable connector and free ends	1-KAB139A-6
Connector MS3106PEMV mounted on cable	D-MS/MONT
15-pole D plug mounted on cable	D-15D/MONT
TEDS ready mounted in 15-pole D plug for Z4A	D-TEDS/MONT_DB

### **Force transducer TOP Transfer**

High precision force transducers in the type series TOP-Z30A and TOP-Z4A measure compressive and tensile forces.

Because they measure static and quasi-static forces with extremely high accuracy and reproducibility, they must be handled very carefully. Particular care must be taken when transporting and installing the devices. Dropping or knocking the transducers may cause permanent damage. It is recommended, as the TOP Transfer force transducers are peak precision transducers for transfer measurements, that the ambient temperature is maintained constant in the range of the nominal temperature.

### **Force transducers TOP-Z30A and TOP-Z4A with DKD certificate**

The transducers are by default calibrated in the pressure direction. They can also be DKD calibrated in the tensile direction on request. However, the transducer should be loaded and used in one force direction only for high precision measurements.

The technical data lists the permissible limits for mechanical, thermal and electrical stress. It is essential that these are taken into account when planning the measuring set-up, during installation and ultimately during operation.

To achieve optimum measurement results, the transducer must be connected to a highly accurate amplifier (e.g. DMP40 from HBK).

## 5 STRUCTURE AND MODE OF OPERATION

---

### 5.1 TOP-Z30A

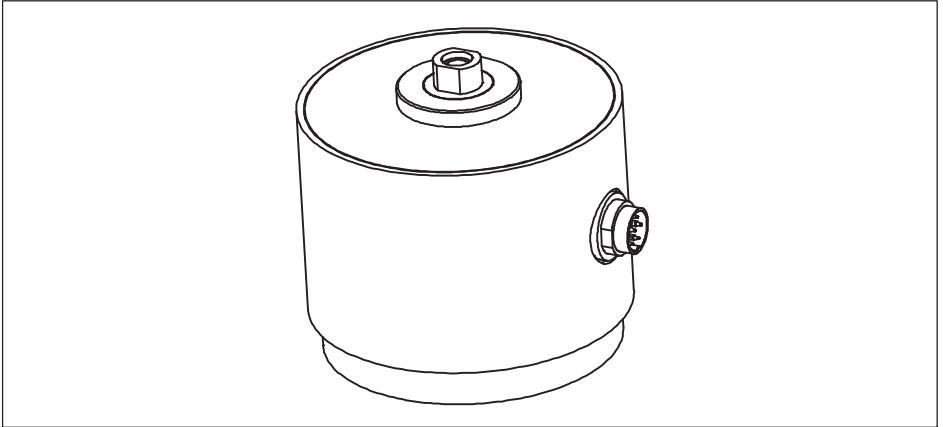


Fig. 5.1 TOP-Z30A (100 N...10 kN)

The measuring body consists of a measurement spring system with strain gages. The internal threads located on both sides are used to apply tensile forces. Load buttons to screw into the upper thread are available as accessories to apply the compressive forces.

All nominal forces of the TOP-Z30A have the same size.

The electric connection is implemented with Binder connectors.

To reduce the bending moment during tensile measurements, caused by the cable in lateral cable outputs, an additional connector is located on the floor of the housing.

Every TOP-Z30A force transducer comes with TEDS (Transducer electronic Data sheet); see *chapter 8.3*.

## 5.2 TOP-Z4A

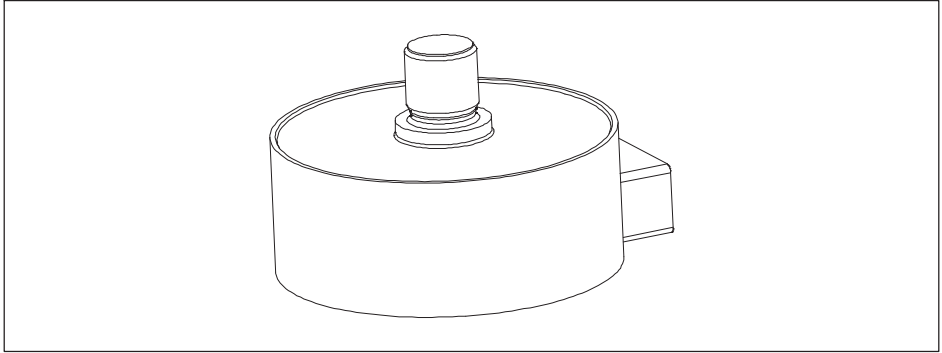


Fig. 5.2 TOP-Z4A (20 kN...500 kN)

The measuring body consists of a measurement spring system with strain gages.

The TOP-Z4A transducer has a convex threaded pin on top (also suitable for application of compressive forces) and a threaded bore underneath for the application of tensile forces.

The housing is protected on top and bottom by thin metal membranes.

## 6 CONDITIONS ON SITE

---

### 6.1 Ambient temperature

The temperature effects on the zero signal and on the sensitivity are compensated. To obtain optimum measurement results, the nominal (rated) temperature range must be observed. Temperature-related measurement errors can be caused by heating on one side (e.g. radiant heat) or by cooling. A radiation shield and all-round thermal insulation produces noticeable improvements, but must not be allowed to set up a force shunt.

### 6.2 Moisture and dampness

Avoid extreme moisture or a tropical climate if the values are outside the classified limits (TOP-Z4A degree of protection IP67 as per DIN EN 60529, TOP-Z30A: IP50).

### 6.3 Air pressure

Air pressure changes do not affect the TOP-Z30A force transducer.

Air pressure changes act on the TOP-Z4A force transducer as a change in force. With normal ambient pressure changes  $\pm 20$  mbar, this influence on the measurement signal is negligibly small (air pressure changes of  $\pm 10$  mbar only have an effect on the zero signal of 6 N with 20 kN- and 50 kN-transducers).

### 6.4 Chemical effects

The transducer housings are protected by a powder coating. They must not be exposed to adverse ambient conditions (direct weather conditions, contact with corrosive media).

The un-coated force application areas on the TOP-Z4A are greased to protect them against corrosion.

### 6.5 Load disturbance variables

Torsion, bending and lateral loads are disturbance variables and therefore to be avoided. Remedies can, if necessary, be implemented with HBK installation aids (Chapter 7.2 and 7.3).

### 6.6 Electromagnetic compatibility

The transducers are tested for use in controlled electromagnetic environments to EN 61326:2002; Tab B.1.

### 7.1 Important precautions during installation

- Handle the transducers carefully, mechanical loads on the housing membranes must be avoided
- Always use thermally insulated gloves when handling the transducers
- Ensure there is enough time available before measurement to allow the force transducer to reach a stable temperature with regards to its components and environment. Approx. 24 hours are recommended for precision measurements.
- Connect the force transducer to the excitation voltage approx. 1 hour before measurement
- When measuring compressive forces, make sure the support structure is rigid and level
- The force application surfaces and threads must be perfectly clean and fully bearing
- Observe the depths of engagement for the threaded rods or knuckle eyes, different depths will affect the reproducibility
- Do not overload the transducer, only load up to the operating force
- The forces must act on the transducer as accurately as possible in the direction of measurement.

#### **WARNING**

*Additional safeguards must be provided if there is a risk that overloading the transducer may cause it to break, which could put people at risk.*

---

#### **Notice**

*Torsional and bending moments, eccentric loading and lateral forces may produce measurement errors and destroy the transducer if limit values are exceeded.*

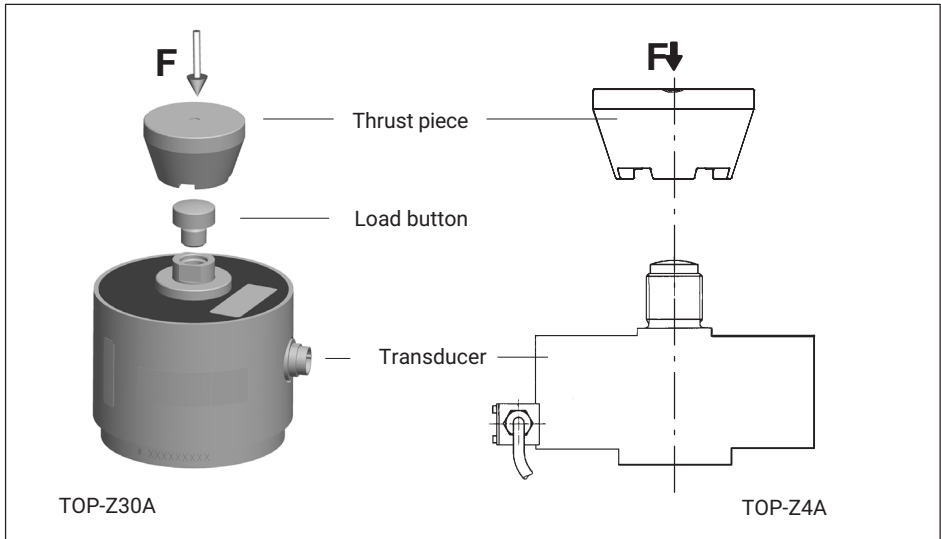
---

### 7.2 Installation aids for compressive loading

Thrust pieces to ISO 376 are available for the application of compressive forces.

Thrust pieces EDO3/1kN or EDO4/50kN (see page 32) and two load buttons (see page 31) are available for the TOP-Z30A. The thrust piece (see page 38) can be positioned directly on the convex threaded pin in the TOP-Z4A.

### 7.2.1 Installation diagram for compressive loading



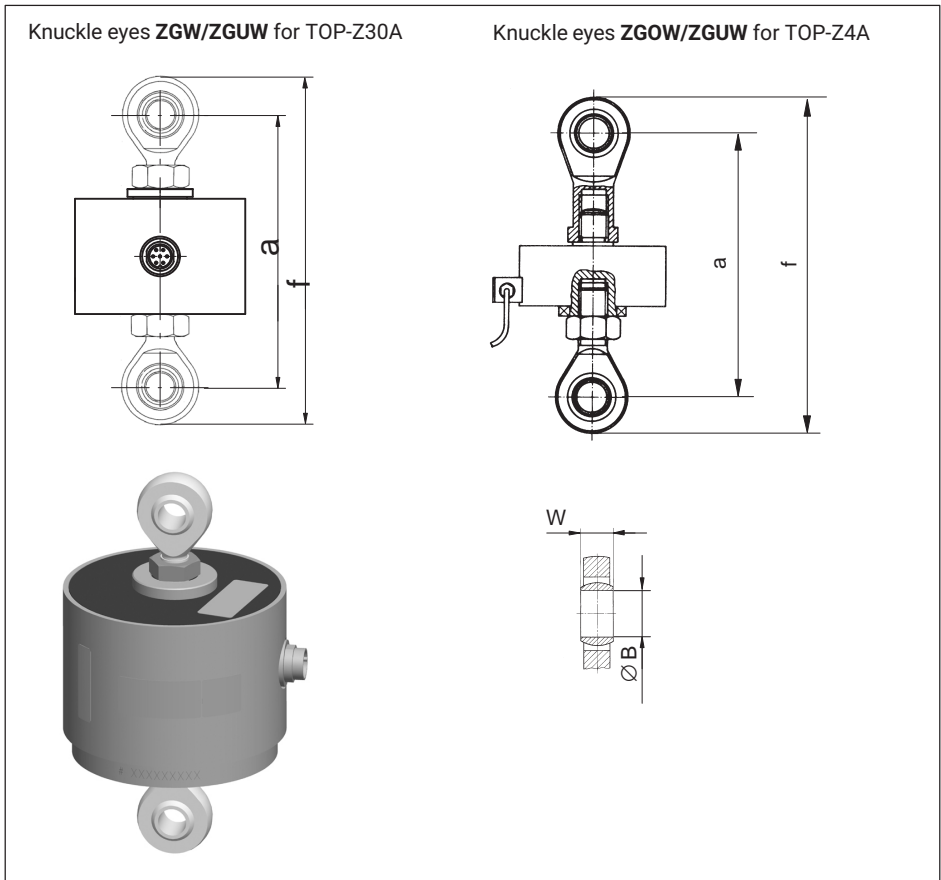
Type	Load button Order number	Thrust piece Order number
TOP-Z30A / 100 N - 1000 N	1-U1R/200kg/ZL	1-EDO3/1kN
TOP-Z30A / 2 kN - 10 kN	3-9202.0140	1-EDO4/50kN
TOP-Z4A / 20 kN	-	1-EDO4/20kN
TOP-Z4A / 50 kN	-	1-EDO4/50kN
TOP-Z4A / 100 kN	-	1-EDO4/100kN
TOP-Z4A / 200 kN	-	1-EDO4/200kN
TOP-Z4A / 500 kN	-	1-EDO4/500kN

### 7.3 Installation aids for tensile loading

Knuckle eyes and tensile force introduction parts (ZKM) to ISO 376 are available to install the TOP-Z30A and TOP-Z4A. These installation aids prevent the application of torsional moments and, where 2 knuckle eyes are used, bending moments, together with lateral and oblique loads in the transducer. They are intended only for static tensile loading of the transducer.

## Installation of knuckle eyes

- Screw the knuckle eye thread into the transducer thread until the stop is reached and then screw it one and a half turns back out.



Type	Knuckle eye top/bottom Order number	a	f	W	Ø B
TOP-Z30A/100N - 1000N	1-U1R/200kg/ZGW	147.5	170	12	8 <sup>H7</sup>
TOP-Z30A/2kN - 10kN	1-U2A/1t/ZGUW	169	201	16	12 <sup>H7</sup>



Type	Knuckle eye top/ bottom Order number	Weight t (kg)	a		f		W	Ø B
			min	max.	min	max.		
TOP-Z4A/ 20kN	1-Z4/20kN/ZGOW 1-Z4/20kN/ZGUW	0.2	appr. 158	appr. 170	appr. 198	appr. 210	21	16 <sup>H7</sup>
TOP-Z4A/ 50kN	1-U2A/2t/ZGOW 1-U2A/2t/ZGUW	0.8 0.4	appr. 190	appr. 199	appr. 245	appr. 254	25	20 <sup>H7</sup>
TOP-Z4A/ 100kN	1-Z4/100kN/ZGOW 1-Z4/100kN/ZGUW	1.1	appr. 261	appr. 269	appr. 331	appr. 339	37	30 <sup>H7</sup>
TOP-Z4A/ 200kN	1-U2A/10t/ ZGOW 1-U2A/10t/ZGUW	3.2 1.1	appr. 352	appr. 357	appr. 475	appr. 480	35	50 <sup>+0.001</sup> <sub>-0.014</sub>
TOP-Z4A/ 500kN	1-Z4/500kN/ZGOW 1-Z4/500kN/ZGUW	1.,3 12.0	appr. 570	appr. 590	appr. 764	appr. 784	44	60 <sup>+0.003</sup> <sub>-0.018</sub>

### Information

With the TOP-Z30A, the nut on the base must be tightened before the upper nut; to do this, hold the TOP-Z30A firmly with the spanner flats.

#### Notes on mounting with knuckle eyes

##### 1. Shaft diameter

When using a sensor with knuckle eyes mounted on one or both sides, make sure that the shaft is the right size.

You will find the diameters of the knuckle eyes and shafts and their recommended tolerances in the table below.

#### Knuckle eyes TOP-Z30A

Knuckle eyes	Nominal diameter	Hole fitting size	Recommended shaft fitting size
1-U1R/200kg/ZGW	8	H7	g6
1-U2a/1t/ZGUW	12		

Tab. 7.1 Recommended fitting sizes/tolerances for shaft and hole - Z30A

**Knuckle eyes TOP-Z4A / Knuckle eyes with internal thread**

Knuckle eyes	Nominal diameter	Hole fitting size	Recommended shaft fitting size
1-Z4/20kN/ZGOW	16	H7	g6
1-U2A/2T/ZGOW	20		
1-U2A/100kN/ZGOW	30		
1-U2A/10T/ZGOW	50	+0.002 -0.014	f6
1-Z4/500kN/ZGOW	60	+0.003 -0.018	

Tab. 7.2 Recommended fitting sizes/tolerances for shaft and hole - Knuckle eyes with internal thread

**Knuckle eyes TOP-Z4A / Knuckle eyes with external thread**

Knuckle eyes	Nominal diameter	Hole fitting size	Recommended shaft fitting size
1-Z4/20kN/ZGUW	16	H7	g6
1-U2A/2T/ZGUW	20		
1-U2A/100kN/ZGUW	30		
1-U2A/10T/ZGUW	50	+0,002 -0,014	f6
1-Z4/500kN/ZGUW	60	+0,003 -0,018	

Tab. 7.3 Recommended fitting sizes/tolerances for shaft and hole - Knuckle eyes with external thread

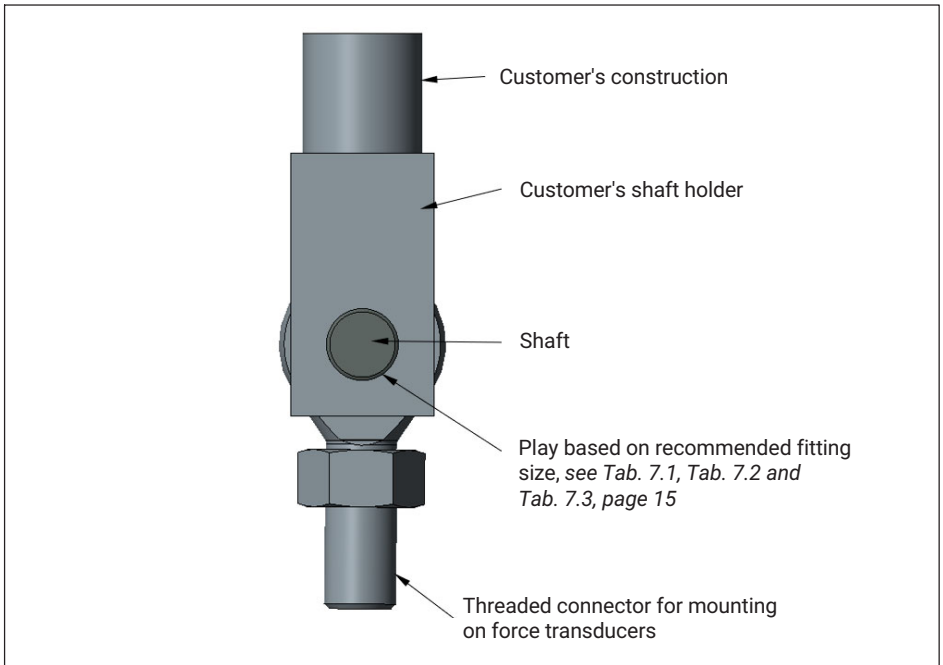


Fig. 7.1 Example diagram of installation with knuckle eye

**⚠ CAUTION**

*If a shaft with an overly small diameter is used, the bearing of the knuckle eye will be subjected to linear load. This subjects the inner bearing shell to excessive load, which can lead to damage and, if forces are high, can cause the knuckle eye bearing to break. Select the shaft as recommended in the mounting instructions.*

2. Distance between knuckle eye and shaft bearing

The shaft support must allow for suitable play between the knuckle eye and the shaft bearing.

**⚠ CAUTION**

If there is too much distance between the knuckle eye and the shaft bearing, this generates bending moments in the shaft, causing it to deform.

This deformation puts strain on points of the edges of the inner bearing shell, which can cause the knuckle eye or shaft to suffer damage or break.

Select the play as recommended in the mounting instructions.

To determine the play between the knuckle eye and the shaft bearing, you can apply the following rule of thumb:

Shaft diameter	Play between knuckle eye and bearing
≤30 mm	1/10 of the nominal diameter
>30 mm	1/20 of the nominal diameter

Tab. 7.4 Rule of thumb for determining play between knuckle eye and shaft bearing

Based on this, recommendations for the play between the knuckle eye and shaft bearing are as follows:

**TOP-Z30A**

Knuckle eye	Play between knuckle eye and shaft bearing
1-U1R/200kg/ZGW	0.8 mm
1-U2a/1t/ZGUW	1.2 mm

Tab. 7.5 Recommendations for play between knuckle eye and shaft bearing - Z30A

**TOP-Z4A**

Knuckle eye	Play between knuckle eye and shaft bearing
1-Z4/20kN/ZOGW	1.6 mm
1-Z4/20kN/ZUGW	
1-U2A/2T/ZGOW	2 mm
1-U2A/2T/ZGUW	
1-Z4/100kN/ZOGW	3 mm
1-Z4/100kN/ZUGW	
1-U2A/10T/ZGOW	2.5 mm
1-U2A/10T/ZGUW	

Knuckle eye	Play between knuckle eye and shaft bearing
1-Z4/500kN/ZGOW	3 mm
1-Z4/500kN/ZGUW	

Tab. 7.6 Recommendations for play between knuckle eye and shaft bearing - Z4A

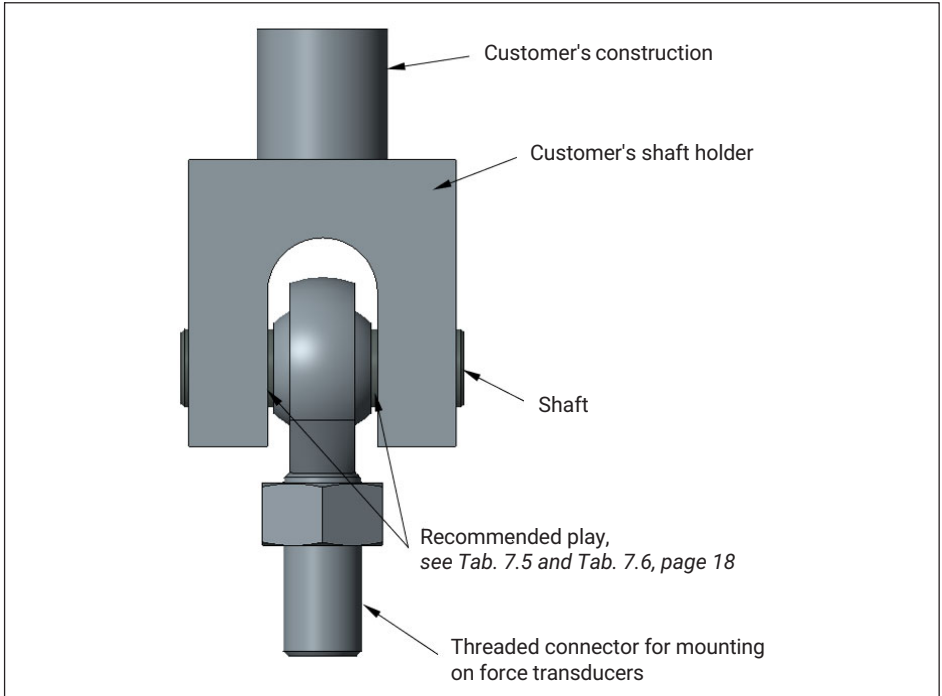


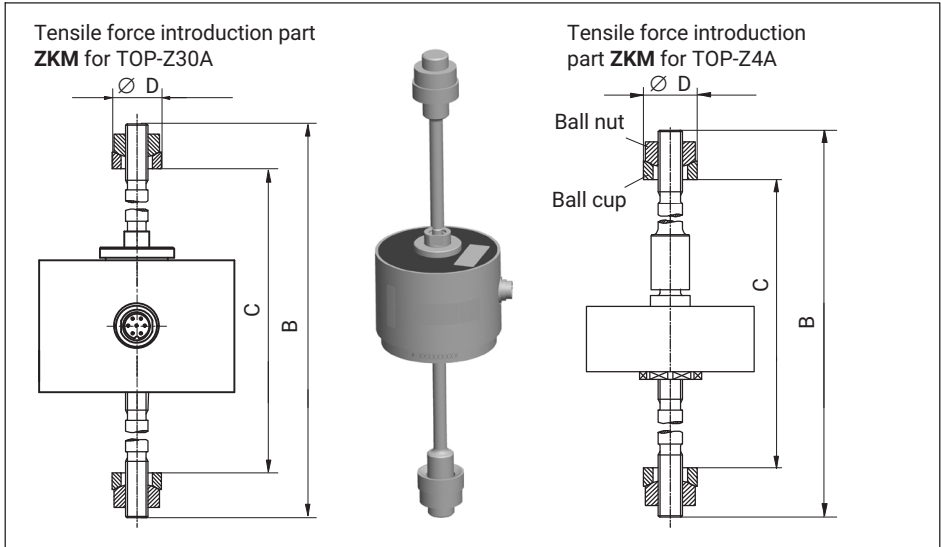
Fig. 7.2 Example diagram of installation with knuckle eye

### 3. Shaft surface quality and hardness

The recommended surface roughness is  $\leq 10 \mu\text{m}$ .

The shaft must have a minimum hardness of 50 HRC.

## Installation with tensile force introduction part ZKM to ISO 376



Type	ZKM Order number	B	C		Ø D
			min	max.	
TOP-Z30A/2kN-10kN	1-Z30/10kN/ZKM	229	250	312	35 <sup>-0.120</sup> <sub>-0.280</sub>

Type	ZKM Order number	Weight (kg)	B	C		Ø D
				min	max.	
TOP-Z4A/20kN	1-Z4A/20kN/ZKM	0.82	325	228	276	35 <sup>-0.120</sup> <sub>-0.280</sub>
TOP-Z4A/50kN	1-Z4A/50kN/ZKM	1.45	350	248	299	45 <sup>-0.130</sup> <sub>-0.290</sub>
TOP-Z4A/100kN	1-Z4A/100kN/ZKM	2.32	395	277	334	50 <sup>-0.130</sup> <sub>-0.290</sub>
TOP-Z4A/200kN	1-Z4A/200kN/ZKM	4.19	447	317	382	64 <sup>-0.170</sup> <sub>-0.330</sub>
TOP-Z4A/500kN	1-Z4A/500kN/ZKM	20.1	623	432	522	90 <sup>-0.170</sup> <sub>-0.390</sub>

### Installation

- Screw the ZKM force application part thread into the transducer thread until the stop is reached and then screw it one and a half turns back out.

## 8 ELECTRICAL CONNECTION

### 8.1 Notes on cabling

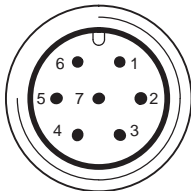
- Use shielded, low-capacitance measurement cables only (HBK cables fulfill these conditions).
- Do not route measurement cables parallel to power lines and control circuits. If this is not possible (in cable pits, for example), protect the measurement cable with e.g. a rigid steel conduit and keep it at least 50 cm away from the other cables. The power lines or control circuits should be twisted (15 twists per meter).
- Avoid stray fields from transformers, motors and contact switches.
- Do not ground the transducer, amplifier and indicator more than once. All the devices in the measurement chain must be connected to the same grounded conductor.
- The connection cable shielding is connected to the transducer housing.

### 8.2 Pin Assignment

#### TOP-Z30A

Two 7 pin device plugs (Binder series 723) are located on the housing. To avoid force shunts from the cable, you can use (depending on the installation situation) the bottom or lateral plug.

If the transducer is connected in accordance with the following connection diagram, the output voltage at the amplifier is positive when under compressive loading.

Top view  Binder series 723	Pin Binder plug	Assignment
1	Measurement signal (+)	
2	Bridge excitation voltage (-) (TEDS)	
3	Bridge excitation voltage (+)	
4	Measurement signal (-)	
5	No function	
6	Sense lead (+)	
7	Sense lead (-) (TEDS)	

Tab. 8.1 Binder 723 series connector (screw-locking)

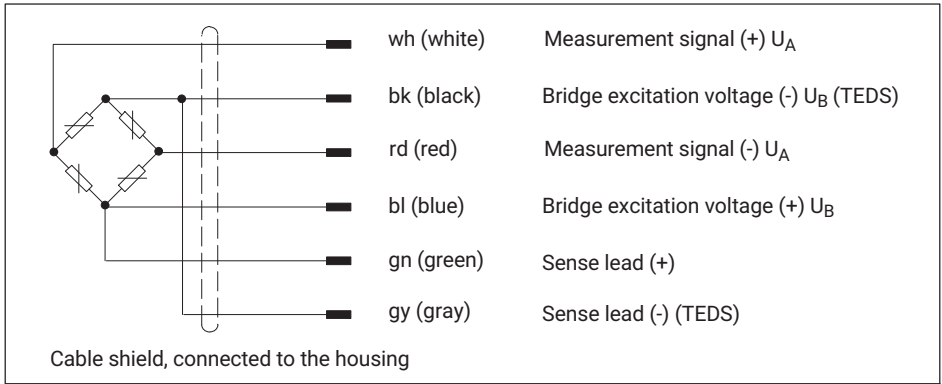


Fig. 8.1 Pin assignment for connection cable KAB139A-6 with free ends

### TOP-Z4A

The 3m long connection cable of the transducer has color-coded free wire ends. The cable shield is connected in accordance with the Greenline concept. This encloses the measurement system in a Faraday cage. Electromagnetic interference cannot affect the measurement system.

When attaching plugs, the shielding must be extensively connected.

With other connection techniques, a good EMC shield must be provided in the stranded area, where the shielding is also extensively connected.

If the transducer is connected in accordance with the following connection diagram, the output voltage at the amplifier is positive when under compressive loading.

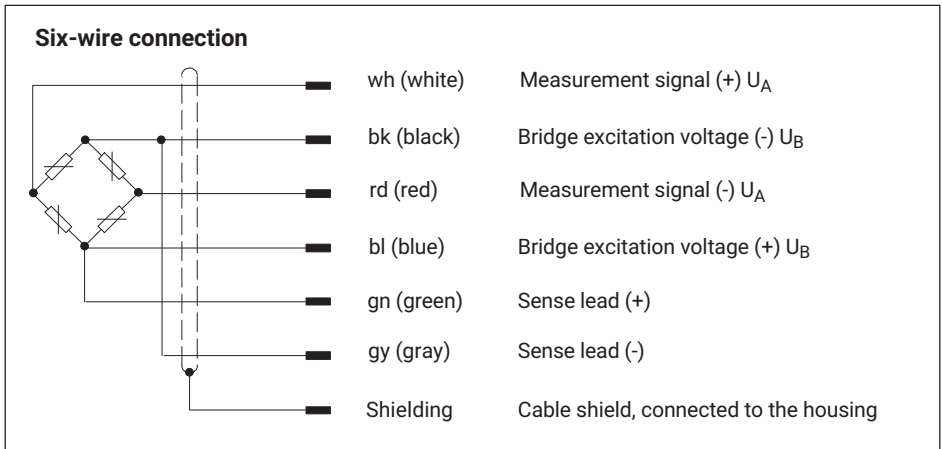


Fig. 8.2 Pin assignment for TOP-Z4A



### **8.3 TEDS transducer identification**

With TOP-Z30A, TEDS is always integrated in the transducer; with TOP-Z4A, TEDS can be integrated in the plug connector on request.

TEDS stands for "Transducer Electronic Data Sheet".

An electronic data sheet is stored in the transducer as defined in the IEEE 1451.4 standard, making it possible for the measuring amplifier to be set up automatically. A suitably equipped amplifier imports the transducer characteristics (electronic data sheet), translates them into its own settings and measurement can start.

At connection PIN 7 (to ground at PIN 2), there is a digital identification system available. The basis for this is a 1-wire EEPROM DS2433, from Maxim/Dallas.

HBK provides you with the TEDS Editor for storing your data. This is included in the software for the MGCplus Setup Assistant (see TEDS operating manual "TEDS-module in transducer" on our website at [www.hbm.com/TEDS](http://www.hbm.com/TEDS)).

The Editor also makes it possible to manage the different user rights, to protect the fundamental transducer data from being inadvertently overwritten.

## 9 TECHNICAL DATA PER VDI 2638 AND ISO 376

### 9.1 TOP-Z30A

Type			TOP-Z30A						
Nominal (rated) force <sup>1)</sup>	F <sub>nom</sub>	N	100	200	500	1000			
		kN					2	5	10
<b>Nominal (rated) sensitivity</b>	C <sub>nom</sub>	mV/V	2						
Rel. sensitivity error (compression)	d <sub>c</sub>	%	<±0.1						
Rel. sensitivity variation (tension/ compression)	d <sub>zd</sub>	%	<±0.1						
Rel. zero signal error	d <sub>s,0</sub>	mV/V	<±0.1						
<b>Rel. repeatability error (0.2F<sub>nom</sub> to F<sub>nom</sub>) for</b>									
Unchanged mounting position	b'	%	<±0.002						
Various mounting positions	b								
Compr. force		%	<±0.005						
Tensile force		%	<±0.01						
<b>Rel. interpolation error (0.2F<sub>nom</sub> to F<sub>nom</sub>)</b>	f <sub>c</sub>	%	<±0.002						
<b>Rel. zero error (zero signal return)</b>	f <sub>o</sub>	%	<±0.004						
<b>Rel. reversibility error (0.2F<sub>nom</sub> to F<sub>nom</sub>)</b>	v	%	<±0.03						
<b>Effect of temperature on sensitivity/10 K</b> related to nominal sensitivity	TK <sub>C</sub>	%	<±0.015				<±0.01		
<b>Effect of temperature on zero signal/10 K</b> related to nominal sensitivity	TK <sub>0</sub>	%	<±0.015				<±0.01		
<b>Rel. creep over 20 min</b>	d <sub>crF+E</sub>	%	<±0.01						
<b>Effect of lateral forces (lateral force 10% F<sub>nom</sub>)<sup>3)</sup></b>	d <sub>Q</sub>	%	<0.1						

Type			TOP-Z30A						
Nominal (rated) force <sup>1)</sup>	F <sub>nom</sub>	N	100	200	500	1000			
		kN					2	5	10
Effect of eccentricity per mm	d <sub>E</sub>	%	<0.005						
Input resistance	R <sub>i</sub>	Ω	>345				>690		
Output resistance	R <sub>O</sub>	Ω	300-500				600-800		
Insulation resistance	R <sub>is</sub>	Ω	>5·10 <sup>9</sup>						
Reference excitation voltage	U <sub>ref</sub>	V	5						
Operating range of the excitation voltage	B <sub>U,G</sub>	V	0.5 ... 12						
Nominal temp. range	B <sub>t,nom</sub>	°C	+17...+27						
Operating temp. range	B <sub>t,G</sub>	°C	0...+40						
Storage temp. range	B <sub>t,S</sub>	°C	-10...+70						
Reference temp.	t <sub>ref</sub>	°C	+22						
Max. operating force	F <sub>G</sub>	%	120				150		
Limit force	F <sub>L</sub>	%	150						
Breaking force	F <sub>B</sub>	%	250						
Lateral limit force	F <sub>Q</sub>	%	60						
Limit torque	M <sub>G</sub>	N·m	3	5			80		
Nominal displacement	S <sub>nom</sub>	mm	<0.4				approx. 0.2		
Fundamental resonance frequency	f <sub>G</sub>	kHz	0.3	0.5	0.9	1.1	1.1	1.25	
Rel. permissible oscillatory stress	F <sub>rb</sub>	%	70						
Weight		kg	approx. 0.9				approx. 2.3		
Degree of protection to DIN 60529			IP 50						
Cable length, six-wire circuitry		m	-						
Plug connection			Radial and axial housing plug, Binder series 723						
Transducer identification			TEDS, per IEEE 1451.4						

1) 100 N to 1000 N including overload protection

2) for tensile force TOP-Z4A/500 kN: 0,07%

3) corresponds to the half pin height for the TOP-Z4A

## 9.2 TOP-Z4A

Type			TOP-Z4A				
Nominal (rated) force <sup>1)</sup>	F <sub>nom</sub>	N					
		kN	20	50	100	200	500
Nominal (rated) sensitivity	C <sub>nom</sub>	mV/V	2				
Rel. sensitivity error (compression)	d <sub>c</sub>	%	<±0.1				
Rel. sensitivity variation (tension/ compression)	d <sub>zd</sub>	%	<±0.2				
Rel. zero signal error	d <sub>s,o</sub>	mV/V	<±0.01				
<b>Rel. repeatability error (0.2F<sub>nom</sub> to F<sub>nom</sub>) for</b>							
Unchanged mounting position	b'	%	<±0.003				
Various mounting positions	b						
		Compr. force	%	<±0.008			
Tensile force	%	<±0.016					
<b>Rel. interpolation error (0.2F<sub>nom</sub> to F<sub>nom</sub>)</b>	f <sub>c</sub>	%	<±0.002				
<b>Rel. zero error (zero signal return)</b>	f <sub>o</sub>	%	<±0.004				
<b>Rel. reversibility error (0.2F<sub>nom</sub> to F<sub>nom</sub>)</b>	v	%	<±0.03 <sup>2)</sup>				
<b>Effect of temperature on sensitiv- ity/10 K</b> related to nominal sensitivity	TK <sub>C</sub>	%	<±0.01				
<b>Effect of temperature on zero sig- nal/10 K</b> related to nominal sensitivity	TK <sub>0</sub>	%	<±0.015				
<b>Rel. creep over 20 min</b>	d <sub>crF+E</sub>	%	<±0.01				
<b>Effect of lateral forces (lateral force 10% F<sub>nom</sub>)<sup>3)</sup></b>	d <sub>Q</sub>	%	<0.03				
<b>Effect of eccentricity per mm</b>	d <sub>E</sub>	%	<0.01	<0.005			
<b>Input resistance</b>	R <sub>i</sub>	Ω	>345				
<b>Output resist.</b>	R <sub>o</sub>	Ω	356±0,3				
<b>Insulation resist.</b>	R <sub>is</sub>	Ω	>5·10 <sup>9</sup>				
<b>Reference excitation volt.</b>	U <sub>ref</sub>	V	5				
<b>Operating range of the excitation voltage</b>	B <sub>U,G</sub>	V	0.5 ... 12				

Type			TOP-Z4A						
Nominal (rated) force <sup>1)</sup>	F <sub>nom</sub>	N							
		kN	20	50	100	200	500		
Nominal temperature range	B <sub>t, nom</sub>	°C	+17...+27						
Operating temperature range	B <sub>t, G</sub>	°C	0...+40						
Storage temperature range	B <sub>t, S</sub>	°C	-10...+70						
Reference temperature	t <sub>ref</sub>	°C	+22						
Max. operating force	F <sub>G</sub>	%	150						
Limit force	F <sub>L</sub>	%	150						
Breaking force	F <sub>B</sub>	%	250						
Lateral limit force	F <sub>Q</sub>	%	30						
Limit torque	M <sub>G</sub>	N·m	120	350	950	2000	4000		
Nominal displacement	S <sub>nom</sub>	mm	0.2		0.25	0.28	0.45		
Fundamental resonance frequ.	f <sub>G</sub>	kHz	4.1	4.5	3.4	3.6	2.5		
Rel. permissible oscillatory stress	F <sub>rb</sub>	%	70				50		
Weight		kg	1.8	2.4	5.5	11.2	42		
Degree of protection to DIN 60529			IP 67						
Cable length, six-wire circuitry		m	6						
Plug connection			-						
Transducer identification			-						

1) 100 N to 1000 N including overload protection

2) for tensile force TOP-Z4A/500 kN: 0,07%

3) corresponds to the half pin height for the TOP-Z4A

The TOP Transfer force transducers are only available in conjunction with a DKD calibration to ISO 376. Order No.: K-CAL-FD...

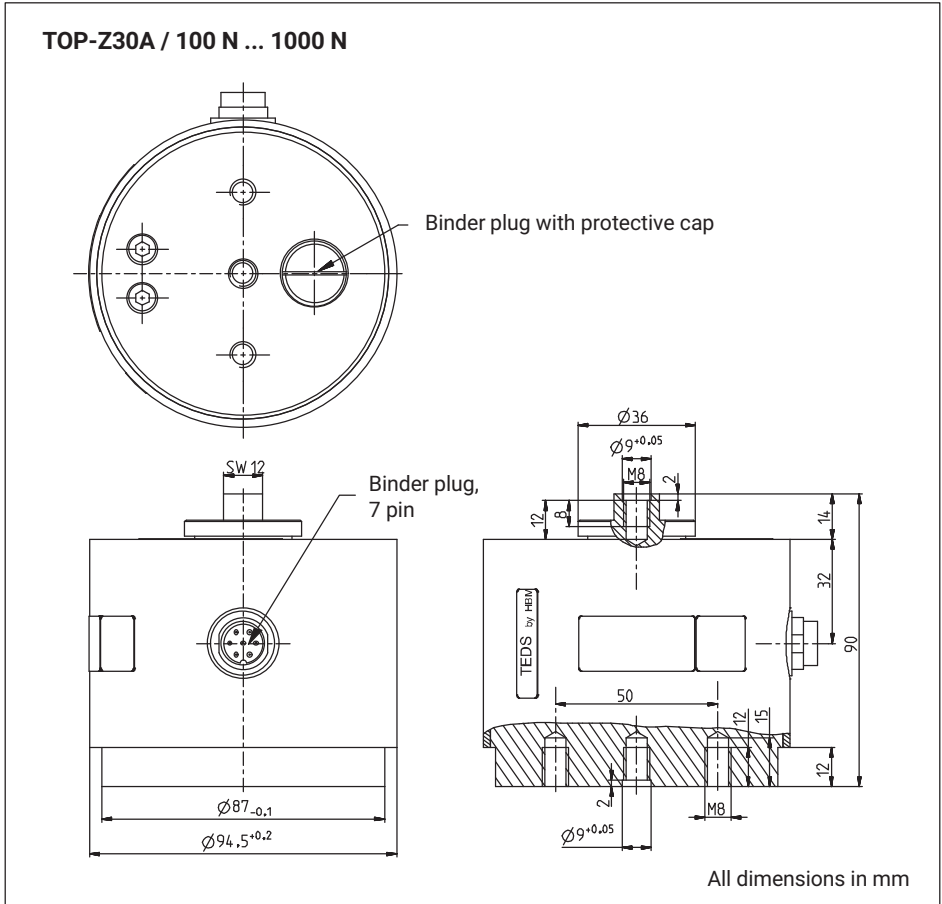
### Order No.: Force transducer

Order code	Nominal force												Unit
1-TOP-Z30A/ ...	100	200	500	1000									N
1-TOP-Z4A/ ...					2	5	10	20	50	100	200	500	kN

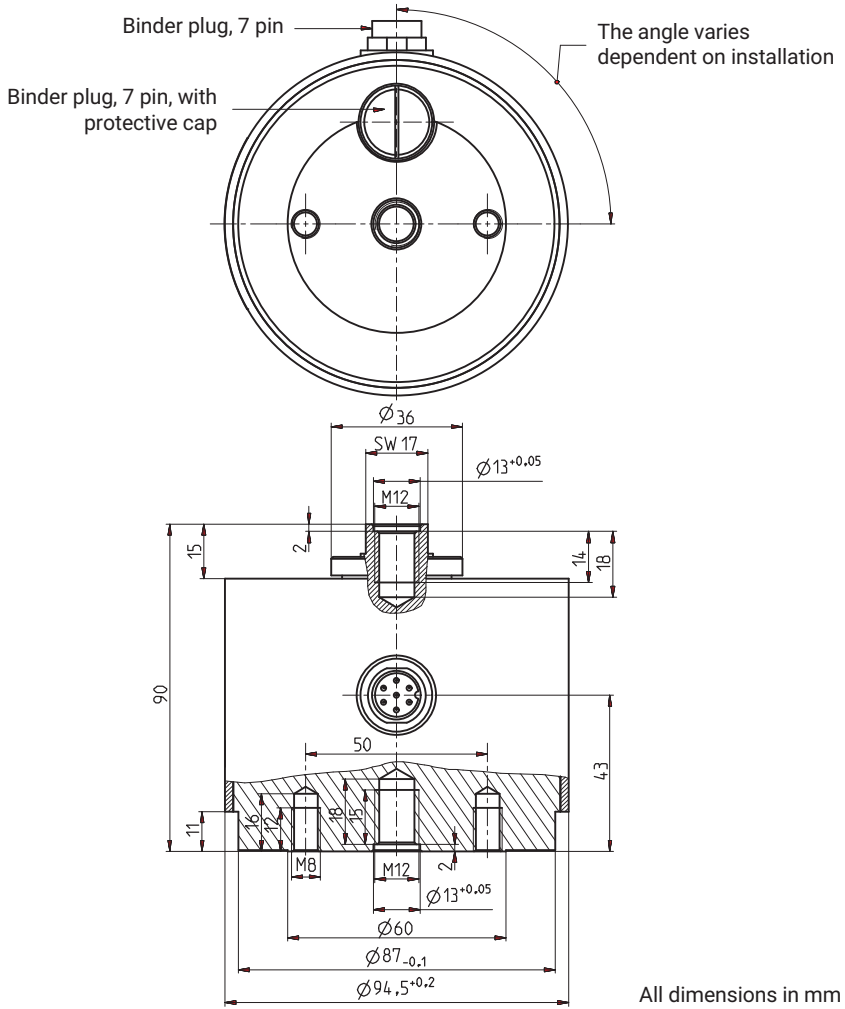
Ordering example: 1-TOP-Z30A/2kN

# 10 DIMENSIONS TOP TRANSFER

## 10.1 TOP-Z30A and accessories

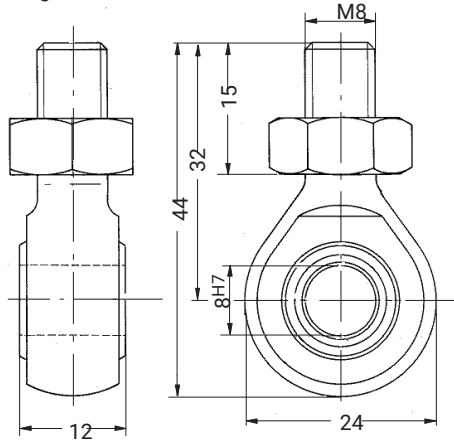


**TOP-Z30A / 2 kN ... 10 kN**



**TOP-Z30A accessory: Knuckle eye ZGW for nominal load 100 N to 1000 N**

Order No.: 1-U1R/200kg/ZGW

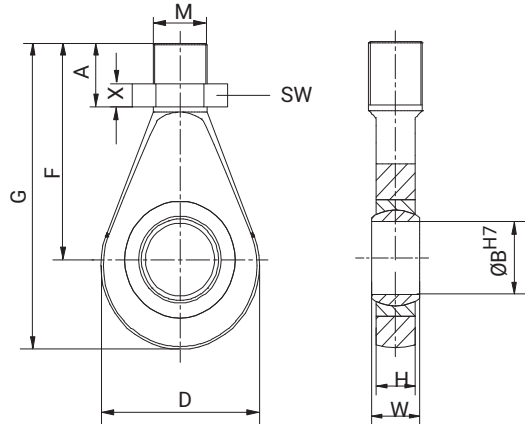


Locking nuts not included in scope of supply

All dimensions in mm

**TOP-Z30A accessory: Knuckle eye ZGUW for nominal load 2 kN to 10 kN**

Order No.: 1-U2A/1t/ZGUW



Material: Tempered steel, galvanized; roller bearing steel and PTFE/bronze corrugated foil

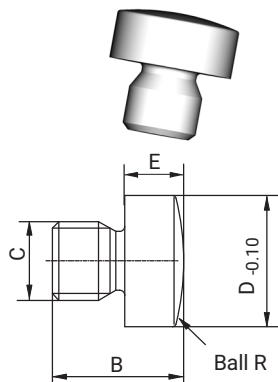
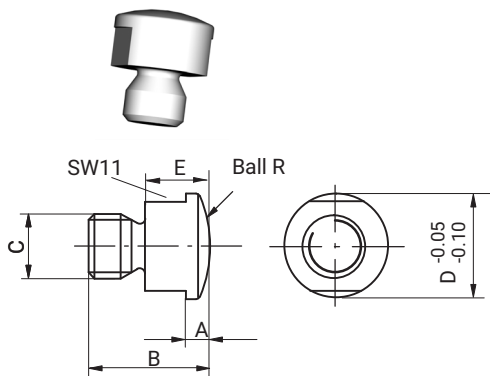
Type	A	ØB <sup>H7</sup>	D	F	G	H	M	X	W	SW	Weight (kg)
TOP-Z30A/ 2kN - 10kN	33.5	12	32	54.5	70.5	12	M12	7	16	19	0.1



### TOP-Z30A accessory: Load button for compressive loads

for TOP-Z30A/100 N ... 1000 N

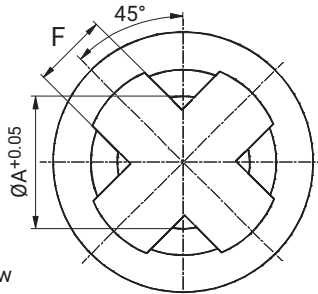
for TOP-Z30A/2 kN ... 10 kN



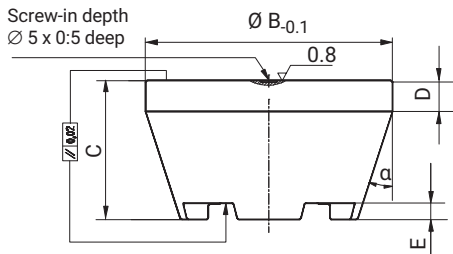
Type	Load button Order number	A	B	C	D	E	R
TOP-Z30A/100N - 1000N	1-U1R/200kg/ZL	3	15	M8	13	8	16
TOP-Z30A/2kN - 10kN	3-9202.0140	-	20	M12	20	9	40

**TOP-Z30A accessory: Thrust piece EDO3/EDO4 acc. to ISO 376**

Only use together with the load button for compressive loads.



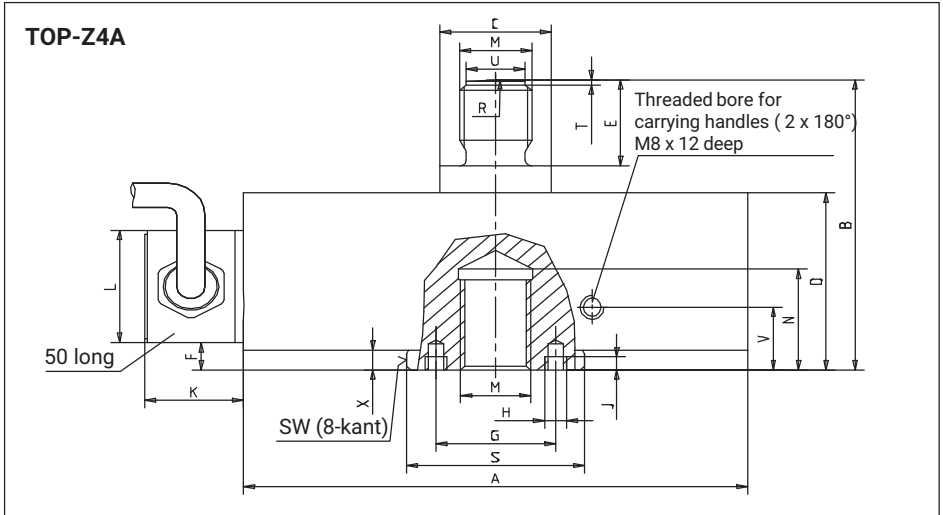
View from below



Type	Thrust piece Order number	Weight (kg)	Ø A	Ø B	C	D	E	F	α
TOP-Z30A/ 100 N - 1000 N	1-EDO3/1 kN	ca. 0.2	13,2	37	22	6	3	8	18°
TOP-Z30A/ 2 kN - 10 kN	1-EDO4/50 kN	0.34	20,2	48	29	8	5	12	18°

Force application part ZKM to ISO 376, see page 20.

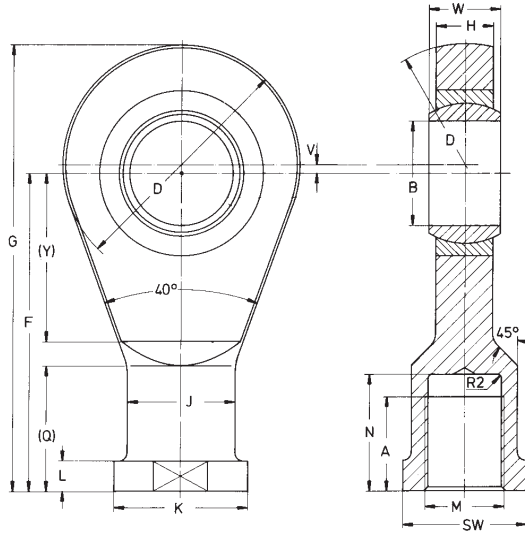
## 10.2 TOP-Z4A and accessories



Type	Ø A	B	ØC <sub>f7</sub>	D	E	F	G	H	J	M
TOP-Z4A/20kN	115	77	25	47	23	7.3	-	-	-	M16
TOP-Z4A/50kN	120	83	26	55	23	10.2				M20x1.5
TOP-Z4A/100kN	146	107	40	69	33	12.2				M30x2
TOP-Z4A/200kN	180	137	50	89	43	13.1	68	M6	6	M39x2
TOP-Z4A/500kN	275	250	100	145	95	21	118	M8	8	M72x4

Type	N	R	ØS <sub>f7</sub>	T	Ø U	V	X	SW	K	L
TOP-Z4A/20kN	27	60	40	1.4	13	-	5.3	38	22	30
TOP-Z4A/50kN	28	60	48	1.4	17		8.2	45		
TOP-Z4A/100kN	37	160	62	1.4	27		10.2	59		
TOP-Z4A/200kN	45	160	76	1.8	36		11.1	73		
TOP-Z4A/500kN	87	400	140	3	65	35	20	134	32	43

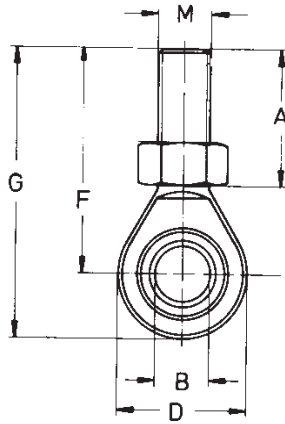
**TOP-Z4A accessory: Knuckle eye top ZGOW for all nominal loads**



Type	Knuckle eye ZGOW Order number	Weight kg	A	Ø B	Ø D	F	G	H	Ø J
TOP-Z4A/ 20kN	1-Z4/20kN/ZGOW	0.2	28	16 H7	42	64	85	15	22
TOP-Z4A/ 50kN	1-U2A/2t/ZGOW	0.8	33	20 H7	50	77	102	18	27.5
TOP-Z4A/ 100kN	1-Z4/100kN/ZGOW	1.1	51	30 H7	70	110	145	25	40
TOP-Z4A/ 200kN	1-U2A/10t/ZGOW	3.2	115	50 <sup>+0.002</sup> <sub>-0.014</sub>	115	151	212.5	28	52
TOP-Z4A/ 500kN	1-Z4/500kN/ZGOW	17.3	180	60 <sup>+0.003</sup> <sub>-0.018</sub>	180	240	337	36	100

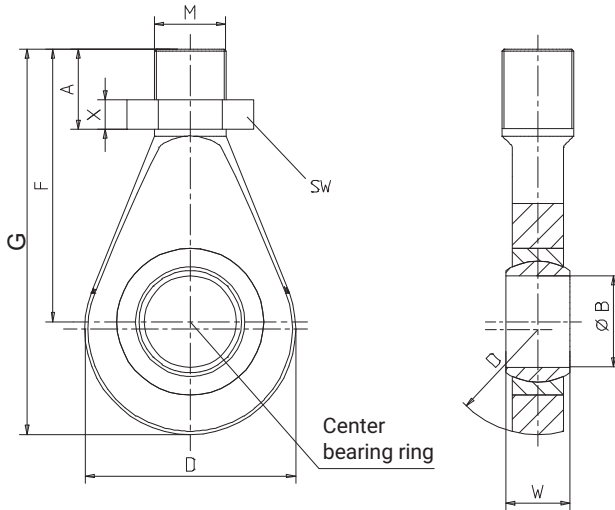
Type	Ø K	L	M	N	Q	SW	V	W	Y
TOP-Z4A/20kN	27	8	M16	-	-	22	-	21	20
TOP-Z4A/50kN	34	10	M20x1.5	-	-	32	-	25	24
TOP-Z4A/100kN	50	15	M30x2	-	-	41	-	37	31
TOP-Z4A/200kN	65	15	M39x2	56	60	60	4	35	78
TOP-Z4A/500kN	128	20	M72x4	107	120	110	7	44	88

**TOP-Z4A accessory: Knuckle eye bottom ZGUW for nominal loads 20 kN and 100 kN**



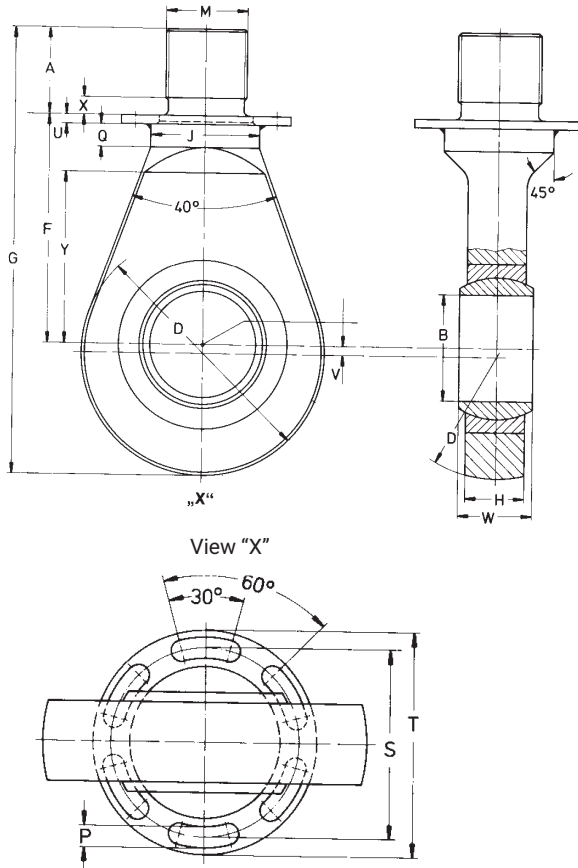
Type	Knuckle eye ZGUW Order number	Weight kg	A	Ø B	Ø D	F	G	M
TOP-Z4A/ 20kN	Z4/20kN/ZGUW	0.2	41.7	16 <sup>H7</sup>	42	67.7	88.7	M16
TOP-Z4A/ 100kN	Z4/100kN/ZGUW	1.1	66.5	30 <sup>H7</sup>	70	110.5	145.5	M30x2

**TOP-Z4A accessory: Knuckle eye bottom ZGUW for nominal loads 50 kN and 200 kN**



Type	Knuckle eye ZGUW Order number	Weight kg	A	Ø B	D	F	G	M	SW	W	X
TOP-Z4A/50kN	1-U2A/2t/ZGUW	0.4	57.5	25 <sup>H7</sup>	60	94.5	124.5	M24x2	36	31	10
TOP-Z4A/200kN	1-U2A/10t/ZGUW	3.2	80	60 <sup>+0.003 -0.018</sup>	126	168	236	M48x2	75	44	18

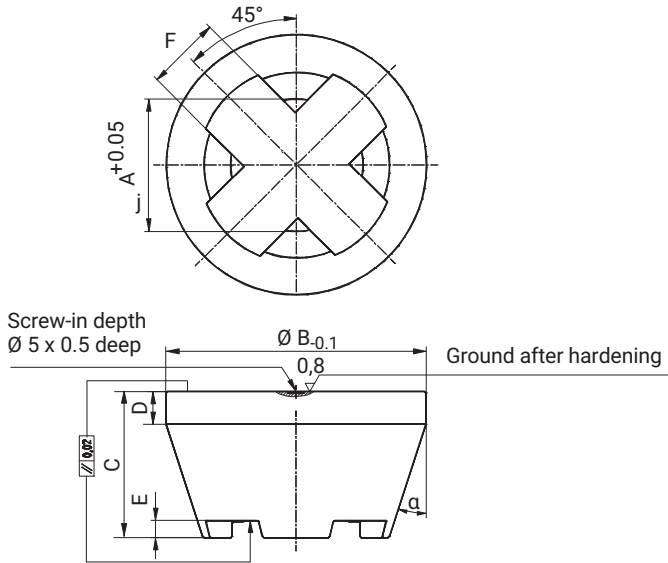
**TOP-Z4A accessory: Knuckle eye bottom ZGUW for nominal load 500kN**



Type	Knuckle eye ZGUW Order number	Weight in kg	A	$\varnothing B$	D	F	G	H	M	$\varnothing J$
TOP-Z4A/500kN	1-Z4/500kN/ZGUW	12	80	$60^{+0.003}_{-0.008}$	180	175	352	36	M72x4	80

Type	P	Q	$\varnothing S$	$\varnothing T$	U	V	W	X	Y
TOP-Z4A/500kN	10	24	110	130	4	7	44	10	129

**TOP-Z4A accessory: Thrust piece EDO4 to ISO 376**



Type	Thrust piece Order number	Weight (kg)	Ø A	Ø B	C	D	E	F	α
TOP-Z4A/20kN	1-EDO4/20kN	0.34	16.2	48	29	8	5	12	18°
TOP-Z4A/50kN	1-EDO4/50kN		20.2				5		
TOP-Z4A/100kN	1-EDO4/100kN	1.58	30.2	80	45	10	5		
TOP-Z4A/200kN	1-EDO4/200kN		39.2				23		
TOP-Z4A/500kN	1-EDO4/500kN	4.35	72.4	112	68	15	12	30	

Force application part ZKM to ISO 376, see page 20.



ENGLISH    DEUTSCH

## Montageanleitung



## TOP Transfer Z30A / Z4A

# INHALTSVERZEICHNIS

---

<b>1</b>	<b>Sicherheitshinweise</b> .....	<b>3</b>
<b>2</b>	<b>Verwendete Kennzeichnungen</b> .....	<b>5</b>
2.1	In dieser Anleitung verwendete Kennzeichnungen .....	5
2.2	Auf dem Gerät angebrachte Symbole .....	5
<b>3</b>	<b>Lieferumfang</b> .....	<b>6</b>
<b>4</b>	<b>Anwendungshinweise</b> .....	<b>8</b>
<b>5</b>	<b>Aufbau und Wirkungsweise</b> .....	<b>9</b>
5.1	TOP-Z30A .....	9
5.2	TOP-Z4A .....	10
<b>6</b>	<b>Bedingungen am Einsatzort</b> .....	<b>11</b>
6.1	Umgebungstemperatur .....	11
6.2	Feuchtigkeit .....	11
6.3	Luftdruck .....	11
6.4	Chemische Einflüsse .....	11
6.5	Belastungs-Störgrößen .....	11
6.6	Elektromagnetische Verträglichkeit .....	11
<b>7</b>	<b>Mechanischer Einbau</b> .....	<b>12</b>
7.1	Wichtige Vorkehrungen beim Einbau .....	12
7.2	Einbauhilfen für Druckbelastung .....	12
7.2.1	Einbauschema für Druckbelastung .....	13
7.3	Einbauhilfen für Zugbelastung .....	13
<b>8</b>	<b>Elektrischer Anschluss</b> .....	<b>21</b>
8.1	Hinweise für die Verkabelung .....	21
8.2	Anschlussbelegung .....	21
8.3	Aufnehmer-Identifikation TEDS .....	23
<b>9</b>	<b>Technische Daten gemäß VDI 2638 und ISO 376</b> .....	<b>24</b>
9.1	TOP-Z30A .....	24
9.2	TOP-Z4A .....	26
<b>10</b>	<b>Abmessungen TOP Transfer</b> .....	<b>29</b>
10.1	TOP-Z30A und Zubehör .....	29
10.2	TOP-Z4A und Zubehör .....	34

## **Bestimmungsgemäßer Gebrauch**

Die Kraftaufnehmer der Typen TOP Transfer: TOP-Z30A und TOP-Z4A sind für Kraftvergleichsmessungen (Krafttransfer) zu verwenden. Jeder darüber hinausgehende Gebrauch gilt als **nicht** bestimmungsgemäß.

Zur Gewährleistung eines sicheren Betriebes darf der Aufnehmer nur nach den Angaben in der Montageanleitung verwendet werden. Bei der Verwendung sind zusätzlich die für den jeweiligen Anwendungsfall erforderlichen Rechts- und Sicherheitsvorschriften zu beachten. Sinngemäß gilt dies auch bei Verwendung von Zubehör.

Der Aufnehmer ist kein Sicherheitselement im Sinne des bestimmungsgemäßen Gebrauchs. Der einwandfreie und sichere Betrieb dieses Aufnehmers setzt sachgemäßen Transport, fachgerechte Lagerung, Aufstellung und Montage sowie sorgfältige Bedienung und Instandhaltung voraus.

## **Allgemeine Gefahren bei Nichtbeachten der Sicherheitshinweise**

Die Kraftaufnehmer TOP-Z30A und TOP-Z4A entsprechen dem Stand der Technik und sind betriebssicher. Von den Aufnehmern können Restgefahren ausgehen, wenn sie von ungeschultem Personal unsachgemäß eingesetzt und bedient werden.

Jede Person, die mit Aufstellung, Inbetriebnahme, Wartung oder Reparatur eines Kraftaufnehmers beauftragt ist, muss die Montageanleitung und insbesondere die sicherheitstechnischen Hinweise gelesen und verstanden haben.

## **Restgefahren**

Der Leistungs- und Lieferumfang des Aufnehmers deckt nur einen Teilbereich der Kraftmesstechnik ab. Sicherheitstechnische Belange der Kraftmesstechnik sind zusätzlich vom Anlagenplaner/Ausrüster/Betreiber so zu planen, zu realisieren und zu verantworten, dass Restgefahren minimiert werden. Jeweils existierende Vorschriften sind zu beachten. Auf Restgefahren im Zusammenhang mit der Kraftmesstechnik ist hinzuweisen.

## **Verbot von eigenmächtigen Umbauten und Veränderungen**

Der Aufnehmer darf ohne unsere ausdrückliche Zustimmung weder konstruktiv noch sicherheitstechnisch verändert werden. Jede Veränderung schließt eine Haftung unsererseits für daraus resultierende Schäden aus.

## **Qualifiziertes Personal**

Diese Aufnehmer sind nur von qualifiziertem Personal ausschließlich entsprechend der technischen Daten in Zusammenhang mit den nachstehend ausgeführten Sicherheitsbestimmungen und Vorschriften einzusetzen. Hierbei sind zusätzlich die für den jeweiligen

Anwendungsfall erforderlichen Rechts- und Sicherheitsvorschriften zu beachten. Sinngemäß gilt dies auch bei Verwendung von Zubehör.

Qualifiziertes Personal sind Personen, die mit Aufstellung, Montage, Inbetriebsetzung und Betrieb des Produktes vertraut sind und die über die ihrer Tätigkeit entsprechende Qualifikationen verfügen.

### **Bedingungen am Aufstellungsort**

Schützen Sie den Aufnehmer vor Feuchtigkeit oder Witterungseinflüssen wie beispielsweise Regen, Schnee usw.

### **Wartung**

Die Kraftaufnehmer TOP-Z30A und TOP-Z4A sind wartungsfrei.





### **Unfallverhütung**

Obwohl die angegebene Nennkraft im Zerstörungsbereich ein Mehrfaches vom Messbereichsendwert beträgt, müssen die einschlägigen Unfallverhütungsvorschriften der Berufsgenossenschaften berücksichtigt werden.

## 2 VERWENDETE KENNZEICHNUNGEN

### 2.1 In dieser Anleitung verwendete Kennzeichnungen

Wichtige Hinweise für Ihre Sicherheit sind besonders gekennzeichnet. Beachten Sie diese Hinweise unbedingt, um Unfälle und Sachschäden zu vermeiden.

Symbol	Bedeutung
 <b>WARNUNG</b>	Diese Kennzeichnung weist auf eine <i>mögliche</i> gefährliche Situation hin, die – wenn die Sicherheitsbestimmungen nicht beachtet werden – Tod oder schwere Körperverletzung zur Folge <i>haben kann</i> .
 <b>VORSICHT</b>	Diese Kennzeichnung weist auf eine <i>mögliche</i> gefährliche Situation hin, die – wenn die Sicherheitsbestimmungen nicht beachtet werden – leichte oder mittlere Körperverletzung zur Folge <i>haben kann</i> .
<b>Hinweis</b>	Diese Kennzeichnung weist auf eine Situation hin, die – wenn die Sicherheitsbestimmungen nicht beachtet werden – Sachschäden zur Folge <i>haben kann</i> .
 <b>Wichtig</b>	Diese Kennzeichnung weist auf <i>wichtige</i> Informationen zum Produkt oder zur Handhabung des Produktes hin.
 <b>Tipp</b>	Diese Kennzeichnung weist auf Anwendungstipps oder andere für Sie nützliche Informationen hin.
 <b>Information</b>	Diese Kennzeichnung weist auf Informationen zum Produkt oder zur Handhabung des Produktes hin.
<i>Hervorhebung</i> <i>Siehe ...</i>	Kursive Schrift kennzeichnet Hervorhebungen im Text und kennzeichnet Verweise auf Kapitel, Bilder oder externe Dokumente und Dateien.
	Dieses Symbol kennzeichnet einen Handlungsschritt.

### 2.2 Auf dem Gerät angebrachte Symbole

#### CE-Kennzeichnung



Mit der CE-Kennzeichnung garantiert der Hersteller, dass sein Produkt den Anforderungen der relevanten EU-Richtlinien entspricht (die Konformitätserklärung finden Sie auf der Website <https://www.hbm.com/HBMdoq>).

### 3 LIEFERUMFANG

---

- Kraftaufnehmer TOP-Z30A, TOP-Z4A
- Bedienungsanleitung TOP Transfer

**Die TOP-Transfer Kraftaufnehmer sind nur in Verbindung mit einer DKD-Kalibrierung erhältlich** (nicht im Lieferumfang enthalten)

- DKD-Kalibrierschein nach ISO 376 Bestellnr. K-CAL-FD...

#### Zubehör für TOP-Z30A

- **Gelenkösen ZGW/ZGOW**

für 100 N bis 1000 N: Bestellnr. 1-U1R/200kg/ZGW

für 2 kN bis 10 kN: Bestellnr. 1-U2A/1t/ZGUW

- **Druckstück** nach ISO 376

für 100 N bis 1000 N: Bestellnr. 1-EDO3/1kN

für 2 kN bis 10 kN: Bestellnr. 1-EDO4/50kN

- **Lastknopf**

für 100 N bis 1000 N: Bestellnr. 1-U1R/200kg/ZL

für 2 kN bis 10 kN: Bestellnr. 3-9202.0140

- **Zugkrafteinleitung ZKM** nach ISO 376

für 2 kN - 10 kN Bestellnr. 1-Z30/10kN/ZKM

- **Transportkoffer**

für 4 Stück TOP-Z30A-Kraftaufnehmer und Zubehör Bestellnr. 1-Z30/Box

#### Zubehör für TOP-Z4A

- **Zugkrafteinleitung ZKM** nach ISO 376

für 20 kN: Bestellnr. 1-Z4/20kN/ZKM

50 kN: Bestellnr. 1-Z4/50kN/ZKM

100 kN: Bestellnr. 1-Z4/100kN/ZKM

200 kN: Bestellnr. 1-Z4/200kN/ZKM

500 kN: Bestellnr. 1-Z4/500kN/ZKM

- **Gelenkösen ZGUW/ZGOW**

für 20 kN:	Bestellnr.	1-Z4/20kN/ZGOW 1-Z4/20kN/ZGUW
50 kN:	Bestellnr.	1-U2A/2t/ZGOW 1-U2A/2t/ZGUW
100 kN:	Bestellnr.	1-Z4/100kN/ZGOW 1-Z4/100kN/ZGUW
200 kN:	Bestellnr.	1-U2A/10t/ZGOW 1-U2A/10t/ZGUW
500 kN:	Bestellnr.	1-Z4/500kN/ZGOW 1-Z4/500kN/ZGUW

- **Druckstück EDO4** nach ISO 376

20 kN	Bestellnr.	1-EDO4/20kN
50 kN	Bestellnr.	1-EDO4/50kN
100 kN	Bestellnr.	1-EDO4/100kN
200 kN	Bestellnr.	1-EDO4/200kN
500 kN	Bestellnr.	1-EDO4/500kN

### Kabel/Stecker

Beschreibung	Bestellnummer
Anschlusskabel Kab139A-6, 6 m, mit Binder-Kabeldose und freien Enden	1-KAB139A-6
Anschlussstecker MS3106PEMV an Kabel montiert	D-MS/MONT
15-pol. D-Stecker, an Kabel montiert	D-15D/MONT
TEDS fertig montiert im 15-pol. D-Stecker für Z4A	D-TEDS/MONT_DB

### **Kraftaufnehmer TOP Transfer**

Hochpräzisions-Kraftaufnehmer der Typenreihe TOP-Z30A und TOP-Z4A messen Druck- und Zugkräfte.

Sie messen statische und quasistatische Kräfte mit extrem hoher Genauigkeit und Reproduzierbarkeit und verlangen daher eine sehr umsichtige Handhabung. Besondere Aufmerksamkeit erfordern hierbei Transport und Einbau der Geräte. Stöße oder Stürze können zu permanenten Schäden am Aufnehmer führen. Da es sich bei dem TOP Transfer Kraftaufnehmer um einen Aufnehmer allerhöchster Präzision für Transfermessungen handelt, wird empfohlen, die Umgebungstemperatur im Bereich der Nenntemperatur konstant zu halten.

### **Kraftaufnehmer TOP-Z30A und TOP-Z4A mit DKD-Schein**

Die Aufnehmer sind standardmäßig in Druckrichtung kalibriert. Auf Wunsch können sie aber im Rahmen des DKD auch in Zugrichtung kalibriert werden. Für Hochpräzisionsmessungen sollte der Aufnehmer immer nur in einer Krafrichtung belastet und eingesetzt werden.

Die Grenzen für die zulässigen mechanischen, thermischen und elektrischen Beanspruchungen sind in den Technischen Daten aufgeführt. Bitte berücksichtigen Sie diese unbedingt bei der Planung der Messanordnung, beim Einbau und letztendlich im Betrieb.

Um optimale Messergebnisse zu erreichen, muss der Aufnehmer an einen Messverstärker mit höchster Genauigkeit angeschlossen werden (z.B. DMP40 von HBK).



## 5 AUFBAU UND WIRKUNGSWEISE

---

### 5.1 TOP-Z30A

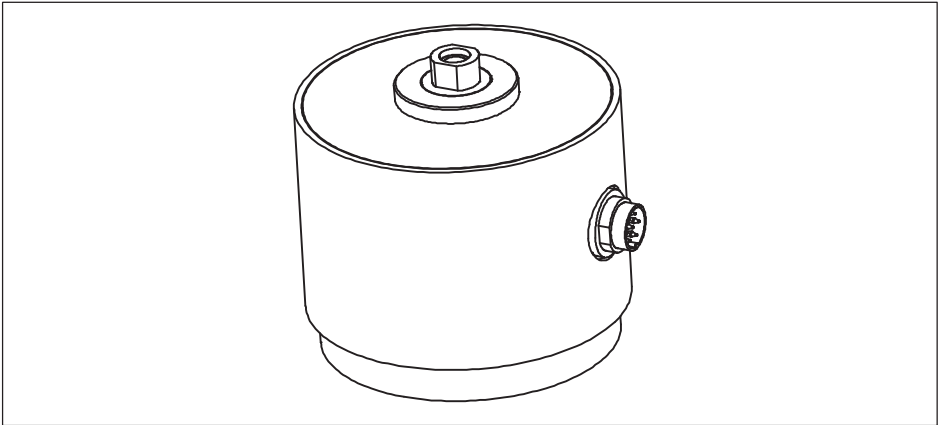


Abb. 5.1 TOP-Z30A (100 N...10 kN)

Der Messkörper besteht aus einem Messfedersystem mit Dehnungsmessstreifen. Zur Einleitung von Zugkräften dienen die beidseitig angebrachten Innengewinde. Für die Einleitung von Druckkräften sind als Zubehör Lastknöpfe zum Einschrauben in das obere Gewinde erhältlich.

Alle Nennkräfte der TOP-Z30A haben die gleiche Baugröße.

Der elektrische Anschluss erfolgt über Binder-Stecker.

Zur Reduzierung des Biegemoments bei Zugmessungen, hervorgerufen durch das Kabel bei seitlichem Kabelabgang, ist ein zusätzlicher Stecker am Boden des Gehäuses vorhanden.

Jeder TOP-Z30A Kraftaufnehmer ist mit TEDS (Elektronisches Datenblatt im Aufnehmer) ausgestattet (siehe Kapitel 8.3).

## 5.2 TOP-Z4A

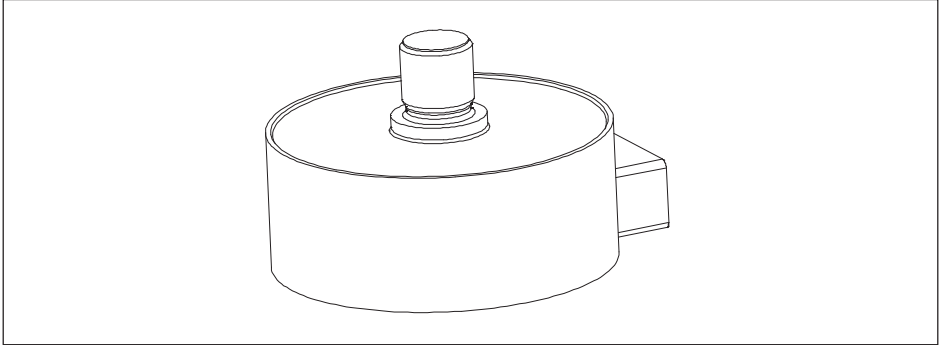


Abb. 5.2 TOP-Z4A (20 kN...500 kN)

Der Messkörper besteht aus einem Messfedersystem mit Dehnungsmessstreifen.

Der Aufnehmer TOP-Z4A besitzt zur Einleitung von Zugkräften oben einen balligen Gewindezapfen (auch zur Einleitung von Druckkräften geeignet) und unten eine Gewindebohrung.

Das Gehäuse ist an seiner Ober- und Unterseite durch dünne Metallmembranen geschützt.

## 6 BEDINGUNGEN AM EINSATZORT

---

### 6.1 Umgebungstemperatur

Die Temperatureinflüsse auf das Nullsignal sowie auf den Kennwert sind kompensiert. Um optimale Messergebnisse zu erzielen, ist der Nenntemperaturbereich einzuhalten. Temperaturbedingte Messfehler können durch einseitige Erwärmung (z.B. Strahlungswärme) oder Abkühlung entstehen. Ein Strahlungsschild und allseitige Wärmedämmung bewirken merkliche Verbesserungen. Sie dürfen aber keinen Kraftnebenschluss bilden.

### 6.2 Feuchtigkeit

Extreme Feuchtigkeit oder tropisches Klima sind zu vermeiden soweit sie außerhalb der klassifizierten Grenzwerte liegen (TOP-Z4A Schutzart IP67 nach DIN EN 60529; TOP-Z30A Schutzart IP50).

### 6.3 Luftdruck

Luftdruckänderungen beeinflussen den Kraftaufnehmer TOP-Z30A nicht.

Luftdruckänderungen wirken auf den Kraftaufnehmer TOP-Z4A wie eine Änderung der Kraft. Bei üblichen Umgebungsdruckänderungen  $\pm 20$  mbar bleibt jedoch der Einfluss auf das Messsignal vernachlässigbar klein (Luftdruckänderungen von  $\pm 10$  mbar verursachen nur einen Einfluss auf das Nullsignal von max. 6 N bei 20 kN- und 50 kN-Aufnehmern).

### 6.4 Chemische Einflüsse

Die Gehäuse der Aufnehmer sind durch Pulverbeschichtung geschützt. Sie dürfen unter keinen erschwerten Umweltbedingungen eingesetzt werden (direkte Witterungseinflüsse, Kontakt mit korrosionsfördernden Medien).

Die unbeschichteten Krafteinleitungsbereiche der TOP-Z4A sind aus Gründen des Korrosionsschutzes eingefettet.

### 6.5 Belastungs-Störgrößen

Torsion, Biegung und Querlast sind Störgrößen und daher zu vermeiden. Gegebenenfalls kann mit HBK-Einbauhilfen (Kapitel 7.2 und 7.3) Abhilfe geschaffen werden.

### 6.6 Elektromagnetische Verträglichkeit

Die Aufnehmer sind geprüft für die Verwendung in beherrschter elektromagnetischer Umgebung nach EN 61326:2002; Tab B.1.

### 7.1 Wichtige Vorkehrungen beim Einbau

- Den Aufnehmer schonend behandeln, mechanische Belastungen der Gehäusemembran unbedingt vermeiden
- Bei Handhabung immer temperaturisolierende Handschuhe tragen
- Vor der Messung ist genügend Zeit vorzusehen, damit der Kraftaufnehmer eine stabile Temperatur gegenüber seinen Einbauteilen und der Umgebung erreichen kann. Für Präzisionsmessungen werden ca. 24 Stunden empfohlen.
- Kraftaufnehmer ca. 1 Stunde vor der Messung an die Speisespannung anschließen
- Bei der Messung von Druckkräften einen starren, ebenen Unterbau sicherstellen
- Die Krafteinleitungsflächen und Gewinde müssen absolut sauber sein und voll tragen
- Einschraubtiefen für Gewindestangen oder Gelenkösen einhalten, veränderte Einschraubtiefen beeinflussen die Wiederholpräzision
- Aufnehmer nicht überlasten, nur bis zur Gebrauchskraft belasten
- Die Kräfte müssen möglichst genau in Messrichtung auf den Aufnehmer wirken

#### **WARNUNG**

*Wenn Bruchgefahr durch Überlast des Aufnehmers und damit Gefahr für Personen besteht, sind zusätzliche Sicherungsmaßnahmen zu treffen.*

---

#### **Hinweis**

*Torsions- und Biegemomente, außermittige Belastungen und Querkräfte führen zu Messwertabweichungen und können bei Überschreitung der Grenzwerte den Aufnehmer zerstören.*

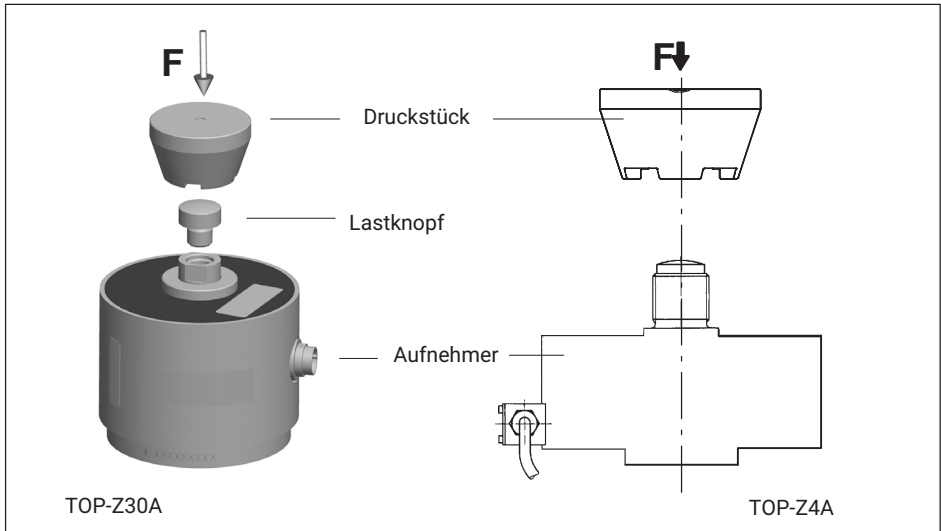
---

### 7.2 Einbauhilfen für Druckbelastung

Zur Einleitung von Druckkräften stehen Druckstücke nach ISO 376 zur Verfügung.

Für die TOP-Z30A stehen die Druckstücke EDO3/1kN oder EDO4/50kN (*siehe Seite 33*) sowie zwei Lastknöpfe (*siehe Seite 31*) zur Verfügung. Bei der TOP-Z4A kann das Druckstück (*siehe Seite 39*) direkt auf den balligen Gewindezapfen gesetzt werden.

### 7.2.1 Einbauschema für Druckbelastung



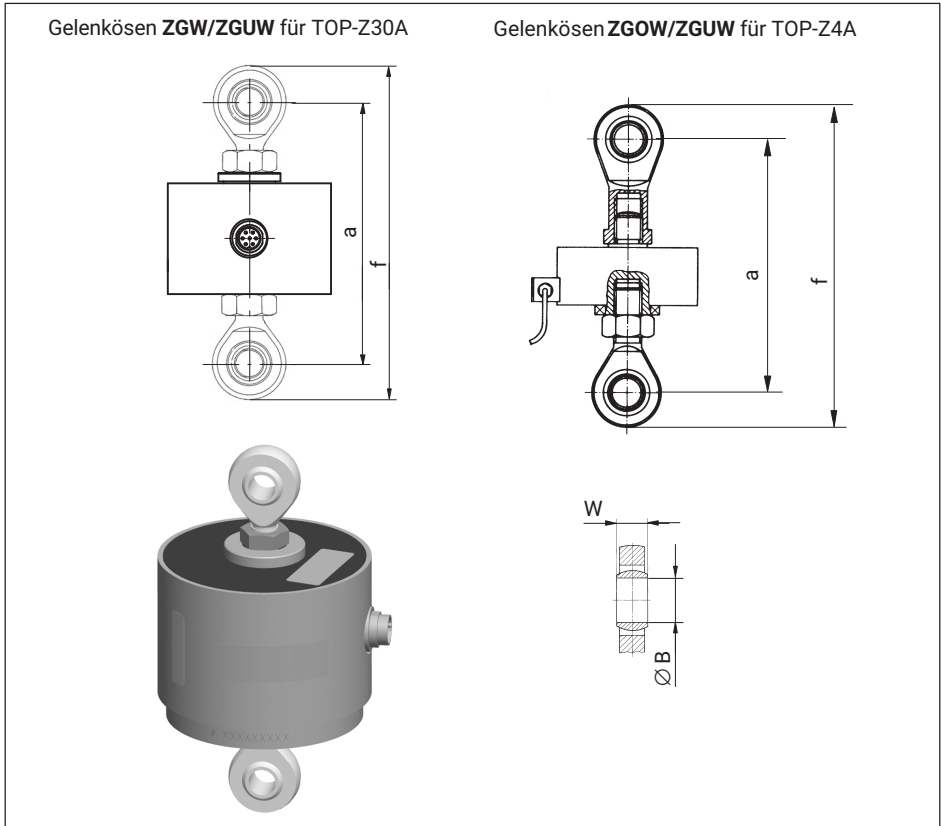
Typ	Lastknopf Bestell-Nr.	Druckstück Bestell-Nr.
TOP-Z30A / 100 N - 1000 N	1-U1R/200kg/ZL	1-EDO3/1kN
TOP-Z30A / 2 kN - 10 kN	3-9202.0140	1-EDO4/50kN
TOP-Z4A / 20 kN	-	1-EDO4/20kN
TOP-Z4A / 50 kN	-	1-EDO4/50kN
TOP-Z4A / 100 kN	-	1-EDO4/100kN
TOP-Z4A / 200 kN	-	1-EDO4/200kN
TOP-Z4A / 500 kN	-	1-EDO4/500kN

### 7.3 Einbauhilfen für Zugbelastung

Zum Einbau der TOP-Z30A und TOP-Z4A stehen Gelenkösen und Zugkrafteinleitungen (ZKM) nach ISO 376 zur Verfügung. Diese Einbauhilfen verhindern die Einleitung von Torsionsmomenten und bei Verwendung von 2 Gelenkösen auch von Biegemomenten sowie Quer- und Schrägbelastungen in die Aufnehmer. Sie sind nur für statische Zugbelastungen des Aufnehmers vorgesehen.

## Einbau von Gelenkösen

- Drehen Sie das Gewinde der Gelenköse bis zum Anschlag in das Gewinde des Aufnehmers ein und danach eine 1 1/2 Umdrehung wieder heraus.



Typ	Gelenköse oben/unten Bestellnummer	a	f	W	Ø B
TOP-Z30A/100N - 1000N	1-U1R/200kg/ZGW	147,5	170	12	8H7
TOP-Z30A/2kN - 10kN	1-U2A/1t/ZGUW	169	201	16	12H7

Typ	Gelenköse oben/unten Bestell-Nr.	Gewicht (kg)	a		f		W	Ø B
			min	max	min	max		
TOP-Z4A/ 20kN	1-Z4/20kN/ZGOW 1-Z4/20kN/ZGUW	0,2	ca. 158	ca. 170	ca. 198	ca. 210	21	16 <sup>H7</sup>
TOP-Z4A/ 50kN	1-U2A/2t/ZGOW 1-U2A/2t/ZGUW	0,8 0,4	ca. 190	ca. 199	ca. 245	ca. 254	25	20 <sup>H7</sup>
TOP-Z4A/ 100kN	1-Z4/100kN/ZGOW 1-Z4/100kN/ZGUW	1,1	ca. 261	ca. 269	ca. 331	ca. 339	37	30 <sup>H7</sup>
TOP-Z4A/ 200kN	1-U2A/10t/ZGOW 1-U2A/10t/ZGUW	3,2 1,1	ca. 352	ca. 357	ca. 475	ca. 480	35	50 <sup>+0,001</sup> <sub>-0,014</sub>
TOP-Z4A/ 500kN	1-Z4/500kN/ZGOW 1-Z4/500kN/ZGUW	17,3 12,0	ca. 570	ca. 590	ca. 764	ca. 784	44	60 <sup>+0,003</sup> <sub>-0,018</sub>

### Information

Bei der TOP-Z30A ist zuerst die Mutter am Boden und dann die obere Mutter anzuziehen; hierbei die TOP-Z30A an der Schlüsselfläche festhalten.

### Hinweise zur Montage mit Gelenkösen

#### 1. Durchmesser der Welle

Bei der Verwendung des Sensors mit einseitig oder beidseitig montierten Gelenkösen ist auf die richtige Dimensionierung der Welle zu achten.

In der folgenden Tabelle finden Sie die Durchmesser der Gelenkaugen und der passenden Wellen mit ihren jeweils empfohlenen Toleranzen.

### Gelenkösen TOP-Z30A

Gelenkösen	Nenndurchmesser	Passung Bohrung	Empfohlene Passung Welle
1-U1R/200kg/ZGW	8	H7	g6
1-U2a/1t/ZGUW	12		

Tab. 7.1 Empfohlene Passungen/Toleranzen für Welle und Bohrung - Z30A

### Gelenkösen TOP-Z4A / Gelenkösen mit Innengewinde

Gelenkösen	Nenndurchmesser	Passung Bohrung	Empfohlene Passung Welle
1-Z4/20kN/ZGOW	16	H7	g6
1-U2A/2T/ZGOW	20		
1-U2A/100kN/ZGOW	30		
1-U2A/10T/ZGOW	50	+0,002 -0,014	f6
1-Z4/500kN/ZGOW	60	+0,003 -0,018	

Tab. 7.2 *Empfohlene Passungen/Toleranzen für Welle und Bohrung - Gelenköse mit Innengewinde*

### Gelenkösen TOP-Z4A / Gelenkösen mit Außengewinde

Gelenkösen	Nenndurchmesser	Passung Bohrung	Empfohlene Passung Welle
1-Z4/20kN/ZGUW	16	H7	g6
1-U2A/2T/ZGUW	20		
1-U2A/100kN/ZGUW	30		
1-U2A/10T/ZGUW	50	+0,002 -0,014	f6
1-Z4/500kN/ZGUW	60	+0,003 -0,018	

Tab. 7.3 *Empfohlene Passungen/Toleranzen für Welle und Bohrung - Gelenköse mit Außengewinde*



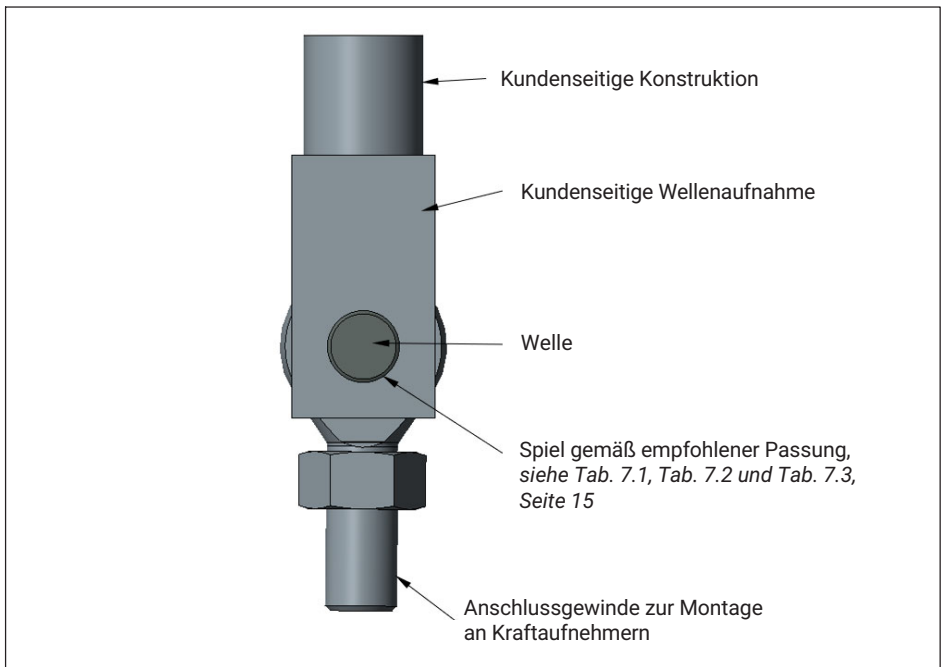


Abb. 7.1 Beispielhafte Darstellung Montage mit Gelenköse

**⚠ VORSICHT**

Wird eine Welle mit zu kleinem Durchmesser verwendet kommt es zu einer linienförmigen Belastung innerhalb des Lagers der Gelenköse. Damit ist die innere Lagerschale überlastet, was zu Beschädigungen und bei hohen Kräften zum Bruch des Gelenkösenlagers führen kann.

Wählen Sie die Welle entsprechend der Empfehlungen der Montageanleitung aus.

2. Abstand zwischen Gelenköse und Wellenlagerung

Die Welle muss mit geeignetem Spiel zwischen der Gelenköse und der Wellenlagerung gestützt werden.

**⚠ VORSICHT**

Ist der Abstand zwischen Gelenköse und Wellenlagerung zu groß, werden Biegemomente in der Welle erzeugt, was zu einer Verformung der Welle führt. Diese Verformung belastet die innere Lagerschale punktförmig am Rand, was zu Beschädigungen oder zum Bruch der Gelenköse oder der Welle führen kann. Wählen Sie das Spiel entsprechend den Empfehlungen der Montageanleitung aus.

---

Zur Bestimmung des Spiels zwischen Gelenköse und Wellenlagerung kann die folgende Faustregel verwendet werden:

Wellendurchmesser	Gelenkösen-Lager-Spiel
≤30 mm	1/10 des Nenndurchmessers
>30 mm	1/20 des Nenndurchmessers

Tab. 7.4 Faustregel zur Bestimmung des Gelenköse-Wellenlagerung-Spiels

Daraus ergeben sich folgende Empfehlungen für das Spiel zwischen Gelenköse und Wellenlagerung:

**TOP-Z30A**

Gelenköse	Gelenkösen-Wellenlagerung-Spiel
1-U1R/200kg/ZGW	0,8 mm
1-U2a/1t/ZGUW	1,2 mm

Tab. 7.5 Empfehlungen für Gelenkösen-Wellenlagerung-Spiel der TOP-Z30A

**TOP-Z4A**

Gelenköse	Gelenkösen-Wellenlagerung-Spiel
1-Z4/20kN/ZOGW	1,6 mm
1-Z4/20kN/ZUGW	
1-U2A/2T/ZGOW	2 mm
1-U2A/2T/ZGUW	
1-Z4/100kN/ZOGW	3 mm
1-Z4/100kN/ZUGW	
1-U2A/10T/ZGOW	2,5 mm
1-U2A/10T/ZGUW	

Gelenköse	Gelenkösen-Wellenlagerung-Spiel
1-Z4/500kN/ZGOW	3 mm
1-Z4/500kN/ZGUW	

Tab. 7.6 Empfehlungen für Gelenkösen-Wellenlagerung-Spiel der TOP-Z4A

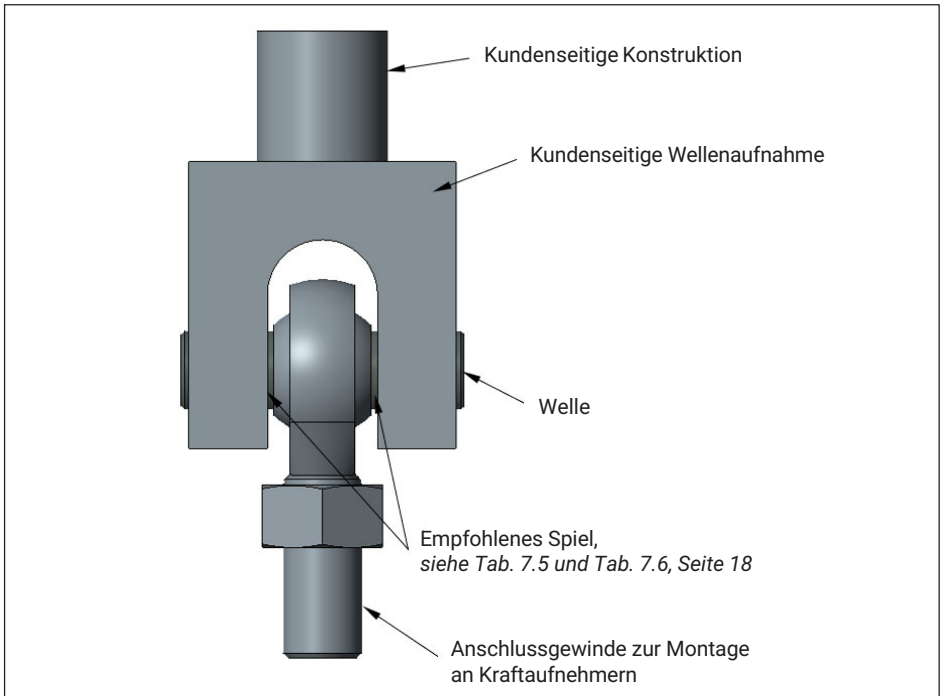


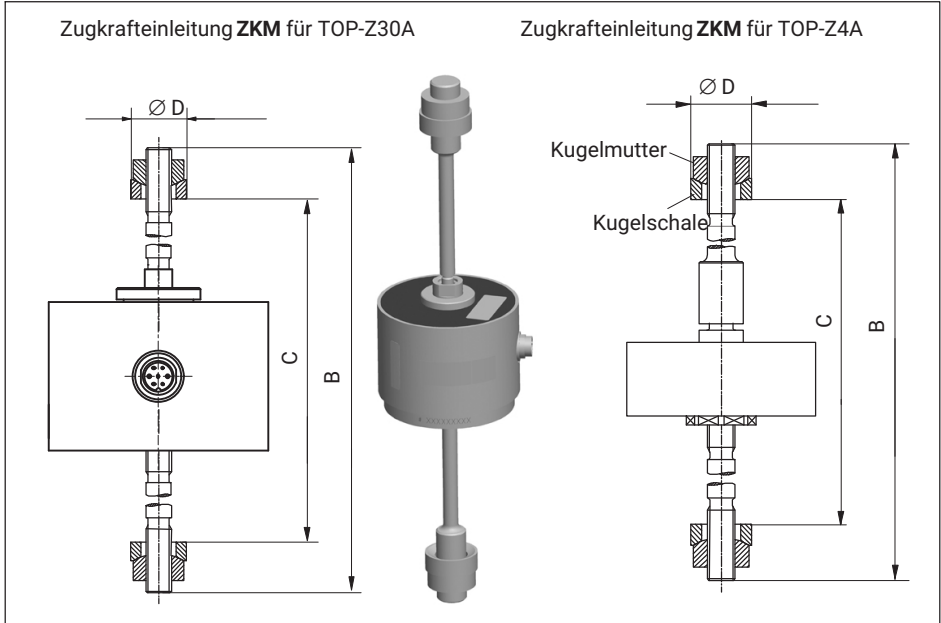
Abb. 7.2 Beispielhafte Darstellung Montage mit Gelenköse

### 3. Oberflächengüte und Härte der Welle

Es wird eine Oberflächenrauheit von  $\leq 10 \mu\text{m}$  empfohlen.

Die Härte der Welle muss mindestens 50 HRC betragen.

## Einbau mit Kräfteinleitungsteil ZKM nach ISO 376



Typ	ZKM Bestellnummer	B	C		ØD
			min	max	
TOP-Z30A/2kN-10kN	1-Z30/10kN/ZKM	229	250	312	35 <sup>-0,120</sup> <sub>-0,280</sub>

Typ	ZKM Bestellnummer	Gewicht (kg)	B	C		ØD
				min	max	
TOP-Z4A/20kN	1-Z4A/20kN/ZKM	0,82	325	228	276	35 <sup>-0,120</sup> <sub>-0,280</sub>
TOP-Z4A/50kN	1-Z4A/50kN/ZKM	1,45	350	248	299	45 <sup>-0,130</sup> <sub>-0,290</sub>
TOP-Z4A/100kN	1-Z4A/100kN/ZKM	2,32	395	277	334	50 <sup>-0,130</sup> <sub>-0,290</sub>
TOP-Z4A/200kN	1-Z4A/200kN/ZKM	4,19	447	317	382	64 <sup>-0,170</sup> <sub>-0,330</sub>
TOP-Z4A/500kN	1-Z4A/500kN/ZKM	20,1	623	432	522	90 <sup>-0,170</sup> <sub>-0,390</sub>

### Einbau

- Drehen Sie das Gewinde des Kräfteinleitungsteils ZKM bis zum Anschlag in das Gewinde des Aufnehmers ein und danach eine 1 1/2 Umdrehungen wieder heraus.

## 8 ELEKTRISCHER ANSCHLUSS

### 8.1 Hinweise für die Verkabelung

- Verwenden Sie nur abgeschirmte und kapazitätsarme Messkabel (HBK-Kabel erfüllen diese Bedingungen).
- Messkabel nicht parallel zu Starkstrom- und Steuerleitungen verlegen. Falls dies nicht möglich ist (z.B. in Kabelschächten), schützen Sie das Messkabel z.B. durch Stahlpanzerrohre und halten einen Mindestabstand von 50cm zu den anderen Kabeln. Starkstrom- oder Steuerleitungen sollten in sich verdreht sein (15 Schlag pro Meter).
- Streufelder von Trafos, Motoren und Schützen sind zu meiden.
- Aufnehmer, Verstärker und Anzeigegerät nicht mehrfach erden. Alle Geräte der Messkette sind an den gleichen Schutzleiter anzuschließen.
- Der Schirm des Anschlusskabels ist mit dem Aufnehmergehäuse verbunden.

### 8.2 Anschlussbelegung

#### TOP-Z30A

Am Gehäuse befinden sich zwei 7-polige Gerätestecker (Binder Serie 723). Um Kraftnebenschlüsse durch das Kabel zu vermeiden, können Sie wahlweise - je nach Einbausituation - den unteren oder den seitlichen Stecker verwenden.

Wird der Aufnehmer nach folgendem Anschlussbild angeschlossen, so ist bei Druckbelastung des Aufnehmers die Ausgangsspannung am Messverstärker positiv.

 <p>Draufsicht</p> <p><b>Binder Serie 723</b></p>	Pin Binder Stecker	Belegung
	1	Messsignal (+)
	2	Brückenspeisespannung (-) (TEDS)
	3	Brückenspeisespannung (+)
	4	Messsignal (-)
	5	Nicht belegt
	6	Fühlerleitung (+)
	7	Fühlerleitung (-) (TEDS)

Abb. 8.1 Binderstecker Serie 723 (eingeschraubt)

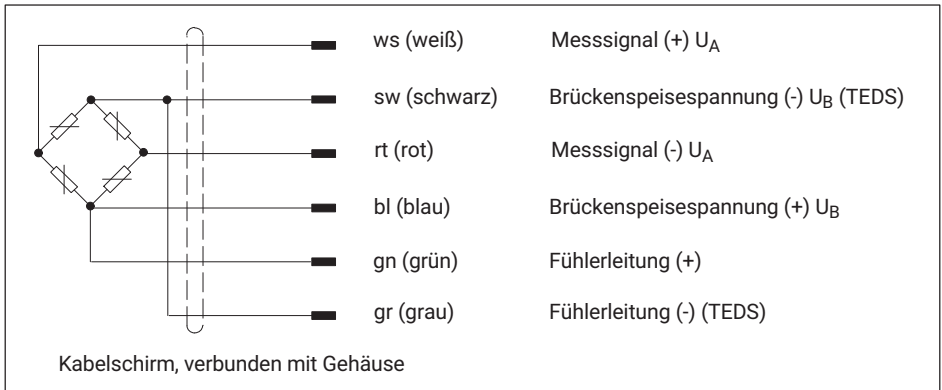


Abb. 8.2 Anschlussbelegung für Anschlusskabel KAB139A-6 mit freien Enden

### TOP-Z4A

Das 3m lange Anschlusskabel des Aufnehmers hat farbig gekennzeichnete freie Aderenden. Der Kabelschirm ist nach dem Greenline-Konzept angeschlossen. Dadurch wird das Messsystem von einem Faradayschen Käfig umschlossen. Elektromagnetische Störungen beeinflussen das Messsystem nicht.

Bei der Montage von Steckern ist die Schirmung flächig aufzulegen.

Bei anderen Anschlussstechniken ist im Litzenbereich eine EMV-feste Abschirmung vorzusehen, bei der ebenfalls die Schirmung flächig aufzulegen ist.

Wird der Aufnehmer nach folgendem Anschlussbild angeschlossen, so ist bei Druckbelastung des Aufnehmers die Ausgangsspannung am Messverstärker positiv.

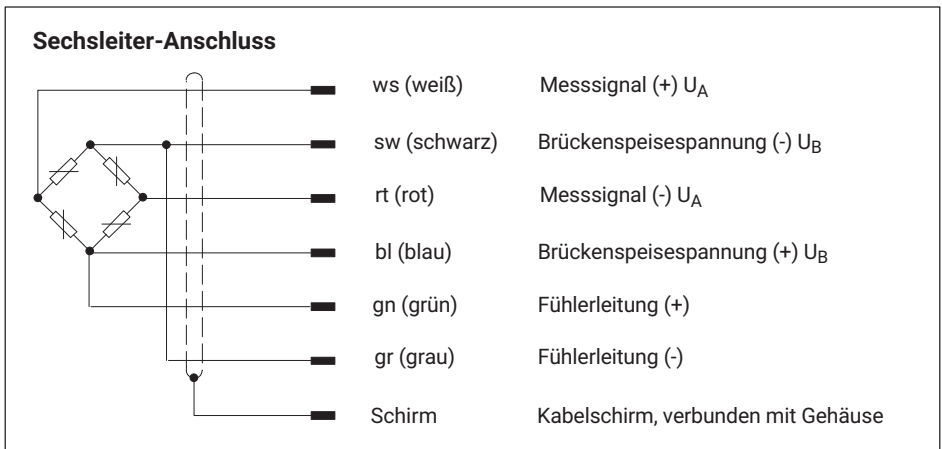


Abb. 8.3 Anschlussbelegung des TOP-Z4A

### 8.3     **Aufnehmer-Identifikation TEDS**

TEDS ist für die TOP-Z30A immer im Aufnehmer integriert, für die TOP-Z4A ist TEDS auf Anfrage im Stecker möglich.

Der Begriff TEDS steht für "Transducer Electronic Data Sheet".

Dabei kann im Aufnehmer ein elektronisches Datenblatt nach der Norm IEEE 1451.4 gespeichert werden, welches das automatische Einstellen des Messverstärkers ermöglicht. Ein entsprechend ausgestatteter Messverstärker liest die Kenndaten des Aufnehmers (Elektronisches Datenblatt) aus, übersetzt diese in eigene Einstellungen und die Messung kann gestartet werden.

Am Anschluss 7 (gegen Masse an PIN 2) steht ein digitales Identifikationssystem zur Verfügung. Basis ist ein 1-Wire EEPROM DS2433 der Fa. Maxim/Dallas.

Zum Einspeichern der Daten stellt HBM den TEDS-Editor zur Verfügung. Dieser ist Bestandteil der Software MGCplus-Setup-Assistent (siehe TEDS-Bedienungsanleitung "TEDS-Datenspeicher im Aufnehmer" auf der Internetseite [www.hbm.com/TEDS](http://www.hbm.com/TEDS)). Der Editor ermöglicht es auch, verschiedene Benutzerrechte zu verwalten, um die grundlegenden Aufnehmerdaten gegen versehentliches Überschreiben zu schützen.

## 9.1 TOP-Z30A

Typ			TOP-Z30A						
	Nennkraft <sup>1)</sup>	F <sub>nom</sub>	N	100	200	500	1000		
kN							2	5	10
<b>Nennkennwert</b>	C <sub>nom</sub>	mV/V	2						
Rel. Kennwertabweichung	d <sub>c</sub>	%	<±0,1						
Rel. Zug-Druck-Kennwertunterschied	d <sub>zd</sub>	%	<±0,1						
Rel. Abweichung des Nullsignals	d <sub>s,o</sub>	mV/V	<±0,1						
<b>Rel. Spannweite (0,2F<sub>nom</sub> bis F<sub>nom</sub>) bei</b>									
Unveränderter Einbaustellung	b'	%	<±0,002						
Verschiedenen Einbaustellungen	b								
Druckkraft		%	<±0,005						
Zugkraft		%	<±0,01						
<b>Rel. Interpolationsabweichung (0,2F<sub>nom</sub> bis F<sub>nom</sub>)</b>	f <sub>c</sub>	%	<±0,002						
<b>Rel. Nullpunktabweichung (Nullsignalrückkehr)</b>	f <sub>o</sub>	%	<±0,004						
<b>Rel. Umkehrspanne (0,2F<sub>nom</sub> bis F<sub>nom</sub>)</b>	v	%	<±0,03						
<b>Temperatureinfluss auf den Kennwert/10K, bezogen auf den Nennkennwert</b>	TK <sub>c</sub>	%	<±0,015				<±0,01		
<b>Temperatureinfluss auf das Nullsignal/10K, bezogen auf den Nennkennwert</b>	TK <sub>0</sub>	%	<±0,015				<±0,01		
<b>Rel. Kriechen über 20 min</b>	d <sub>CrF+E</sub>	%	<±0,01						



Typ		TOP-Z30A							
Nennkraft <sup>1)</sup>	F <sub>nom</sub>	N	100	200	500	1000			
		kN					2	5	10
Querkrafteinfluss (Querkraft 10% F <sub>nom</sub> ) <sup>3)</sup>	d <sub>Q</sub>	%	<0,1						
Exzentrizitätseinfluss pro mm	d <sub>E</sub>	%	<0,005						
Eingangswiderstand	R <sub>e</sub>	Ω	>345				>690		
Ausgangswiderstand	R <sub>a</sub>	Ω	300-500				600-800		
Isolationswiderstand	R <sub>is</sub>	Ω	>5·10 <sup>9</sup>						
Referenzspeisespannung	U <sub>ref</sub>	V	5						
Gebrauchsbereich der Speisespannung	B <sub>U,G</sub>	V	0,5 ... 12						
Nenntemperaturbereich	B <sub>t,nom</sub>	°C	+17...+27						
Gebrauchstemperaturbereich	B <sub>t,G</sub>	°C	0...+40						
Lagerungstemperaturbereich	B <sub>t,S</sub>	°C	-10...+70						
Referenztemperatur	t <sub>ref</sub>	°C	+22						
Max. Gebrauchskraft	F <sub>G</sub>	%	120				150		
Grenzkraft	F <sub>L</sub>	%	150						
Bruchkraft	F <sub>B</sub>	%	250						
Grenzquerkraft	F <sub>Q</sub>	%	60						
Grenzdrehmoment	M <sub>G</sub>	N·m	3	5			80		
Nennmessweg	S <sub>nom</sub>	mm	<0,4				ca. 0,2		
Grundresonanzfrequenz	f <sub>G</sub>	kHz	0,3	0,5	0,9	1,1	1,1	1,25	
Rel. zulässige Schwingbeanspruchung	F <sub>rb</sub>	%	70						
Gewicht		kg	ca. 0,9				ca. 2,3		
Schutzart nach DIN EN 60529			IP 50						
Kabellänge, Sechisleiter-Technik		m	-						

Typ		TOP-Z30A							
Nennkraft <sup>1)</sup>	F <sub>nom</sub>	N	100	200	500	1000			
		kN					2	5	10
<b>Steckeranschluss</b>		radial und axial Gehäusestecker Fa. Binder Serie 723							
<b>Aufnehmeridentifikation</b>		TEDS, gemäß IEEE 1451.4							

1) 100 N bis 1000 N inklusive Überlastschutz

2) bei Zugkraft TOP-Z4A/500 kN: 0,07%

3) entspricht bei der TOP-Z4A halber Zapfenhöhe

## 9.2 TOP-Z4A

Typ		TOP-Z4A						
Nennkraft <sup>1)</sup>	F <sub>nom</sub>	N						
		kN	20	50	100	200	500	
<b>Nennkennwert</b>	C <sub>nom</sub>	mV/V	2					
Rel. Kennwertabweichung	d <sub>c</sub>	%	<±0,1					
Rel. Zug-Druck-Kennwertunterschied	d <sub>zd</sub>	%	<±0,2					
Rel. Abweichung des Nullsignals	d <sub>s,o</sub>	mV/V	<±0,01					
<b>Rel. Spannweite (0,2F<sub>nom</sub> bis F<sub>nom</sub>) bei</b>								
Unveränderter Einbaustellung	b'	%	<±0,003					
Verschiedenen Einbaustellungen	b							
Druckkraft		%	<±0,008					
Zugkraft		%	<±0,016					
<b>Rel. Interpolationsabweichung (0,2F<sub>nom</sub> bis F<sub>nom</sub>)</b>	f <sub>c</sub>	%	<±0,002					
<b>Rel. Nullpunktabweichung (Nullsignallrückkehr)</b>	f <sub>o</sub>	%	<±0,004					
<b>Rel. Umkehrspanne (0,2F<sub>nom</sub> bis F<sub>nom</sub>)</b>	v	%	<±0,03 <sup>2)</sup>					
<b>Temperatureinfluss auf den Kennwert/10K, bezogen auf den Nennkennwert</b>	TK <sub>c</sub>	%	<±0,01					

Typ			TOP-Z4A				
Nennkraft <sup>1)</sup>	F <sub>nom</sub>	N					
		kN	20	50	100	200	500
Temperatureinfluss auf das Nullsignal/10K, bezogen auf den Nennwert	TK <sub>0</sub>	%	<±0,015				
Rel. Kriechen über 20 min	d <sub>crF+E</sub>	%	<±0,01				
Querkrafteinfluss (Querkraft 10% F <sub>nom</sub> ) <sup>3)</sup>	d <sub>Q</sub>	%	<0,03				
Exzentrizitätseinfluß pro mm	d <sub>E</sub>	%	<0,01	<0,005			
Eingangswiderstand	R <sub>e</sub>	Ω	>345				
Ausgangswiderstand	R <sub>a</sub>	Ω	356±0,3				
Isolationswiderstand	R <sub>is</sub>	Ω	>5·10 <sup>9</sup>				
Referenzspeisespannung	U <sub>ref</sub>	V	5				
Gebrauchsbereich der Speisespannung	B <sub>U,G</sub>	V	0,5 ... 12				
Nenntemperaturbereich	B <sub>t,nom</sub>	°C	+17...+27				
Gebrauchstemperaturbereich	B <sub>t,G</sub>	°C	0...+40				
Lagerungstemperaturbereich	B <sub>t,S</sub>	°C	-10...+70				
Referenztemperatur	t <sub>ref</sub>	°C	+22				
Max. Gebrauchskraft	F <sub>G</sub>	%	150				
Grenzkraft	F <sub>L</sub>	%	150				
Bruchkraft	F <sub>B</sub>	%	250				
Grenzquerkraft	F <sub>Q</sub>	%	30				
Grenzdrehmoment	M <sub>G</sub>	N·m	120	350	950	2000	4000
Nennmessweg	S <sub>nom</sub>	mm	0,2		0,25	0,28	0,45
Grundresonanzfrequenz	f <sub>G</sub>	kHz	4,1	4,5	3,4	3,6	2,5
Rel. zulässige Schwingbeanspruchung	F <sub>rb</sub>	%	70			50	
Gewicht		kg	1,8	2,4	5,5	11,2	42
Schutzart nach DIN EN 60529			IP 67				
Kabellänge, Sechisleiter-Technik		m	6				

Typ			TOP-Z4A				
Nennkraft <sup>1)</sup>	F <sub>nom</sub>	N					
		kN	20	50	100	200	500
Steckeranschluss							-
Aufnehmeridentifikation							-

1) 100 N bis 1000 N inklusive Überlastschutz

2) bei Zugkraft TOP-Z4A/500 kN: 0,07%

3) entspricht bei der TOP-Z4A halber Zapfenhöhe

Die TOP-Transfer Kraftaufnehmer sind nur in Verbindung mit einer DKD-Kalibrierung nach ISO 376 erhältlich. Bestell-Nr.: K-CAL-FD...

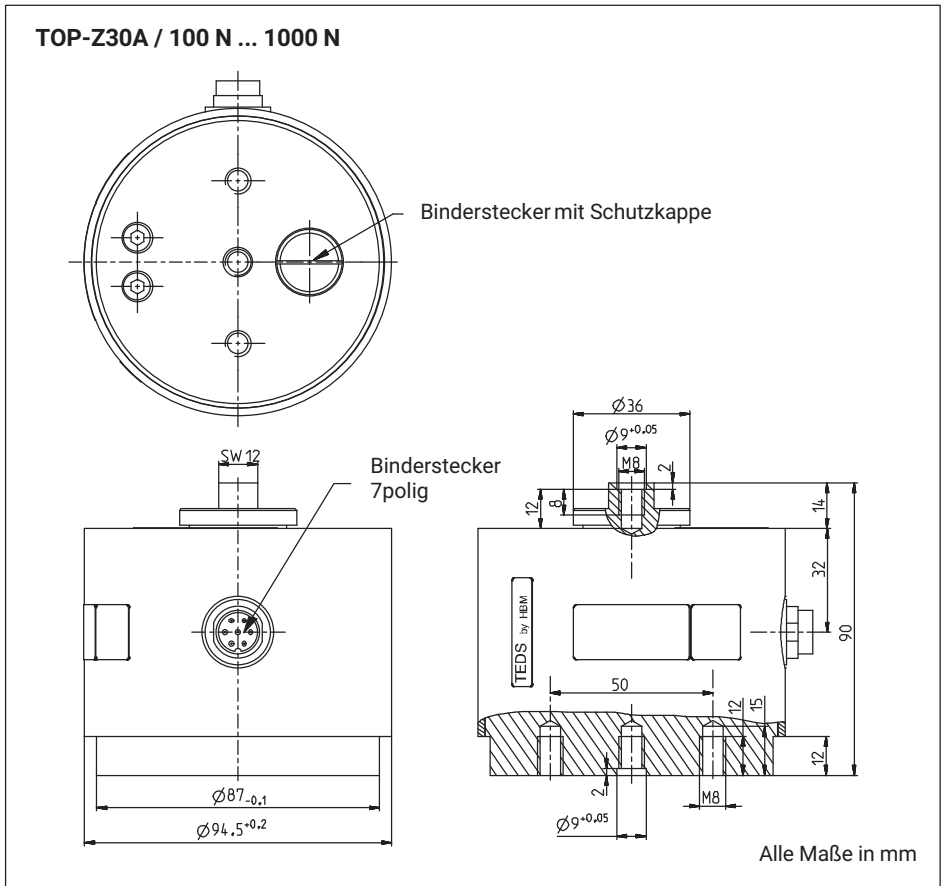
### Bestellnummern: Kraftaufnehmer

Bestell-Code	Nennkraft												Einheit	
1-TOP-Z30A/...	100	200	500	1000										N
1-TOP-Z4A/...					2	5	10	20	50	100	200	500		kN

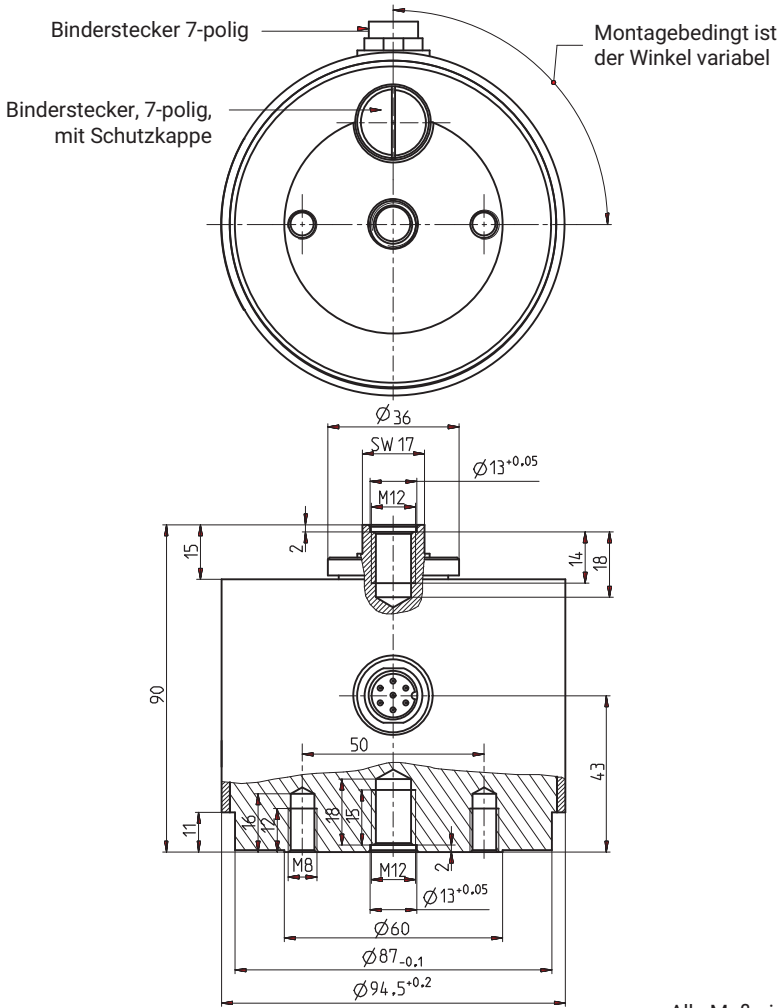
Bestellbeispiel: 1-TOP-Z30A/2kN

# 10 ABMESSUNGEN TOP TRANSFER

## 10.1 TOP-Z30A und Zubehör

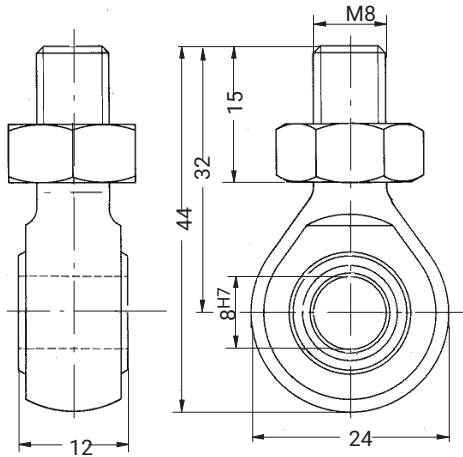


**TOP-Z30A / 2 kN ... 10 kN**



### Zubehör TOP-Z30A: Gelenköse ZGW für Nennlast 100 N bis 1000 N

Bestell-Nr.: 1-U1R/200kg/ZGW

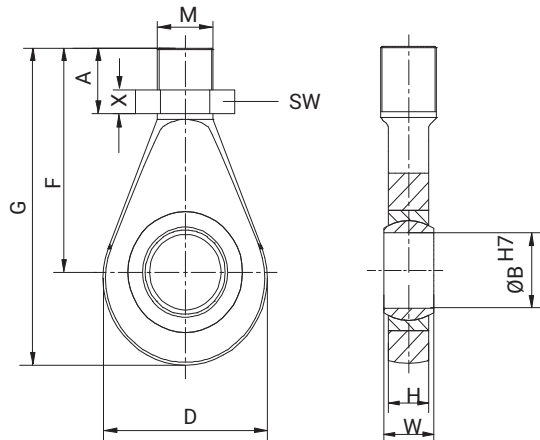


Kontermuttern im Liefer-  
umfang enthalten

Alle Maße in mm

### Zubehör TOP-Z30A: Gelenköse ZGUW für Nennlast 2 kN bis 10 kN

Bestell-Nr.: 1-U2A/1t/ZGUW



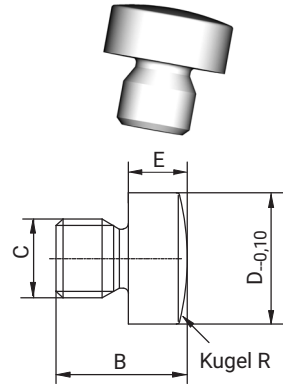
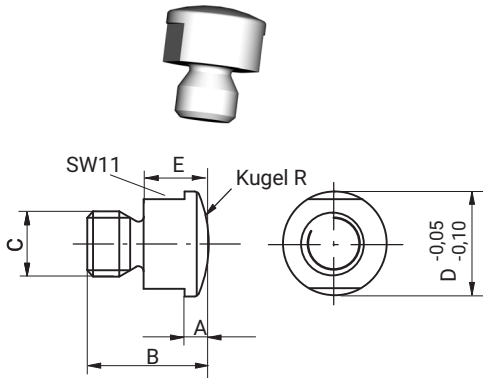
Material: Vergütungsstahl,  
verzinkt; Wälzlagerstahl und  
PTFE/Bronzegewebefolie

Typ	A	ØB <sup>H7</sup>	D	F	G	H	M	X	W	SW	Gewicht (kg)
TOP-Z30A/ 2kN - 10kN	33,5	12	32	54,5	70,5	12	M12	7	16	19	0,1

## Zubehör TOP-Z30A: Lastknopf für Druckbelastungen

für TOP-Z30A/100 N ... 1000 N

für TOP-Z30A/2 kN ... 10 kN

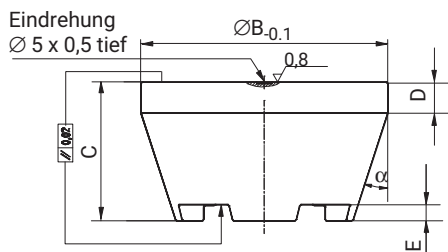
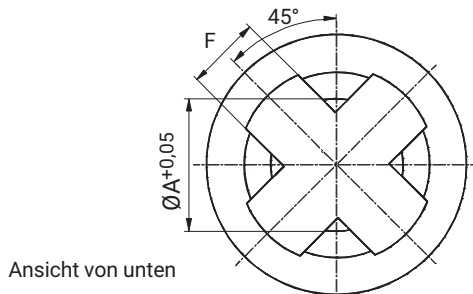


Typ	Lastknopf Bestellnummer	A	B	C	D	E	R
TOP-Z30A/100N - 1000N	1-U1R/200kg/ZL	3	15	M8	13	8	16
TOP-Z30A/2kN - 10kN	3-9202.0140	-	20	M12	20	9	40



## Zubehör TOP-Z30A: Druckstück EDO3/EDO4 nach ISO 376

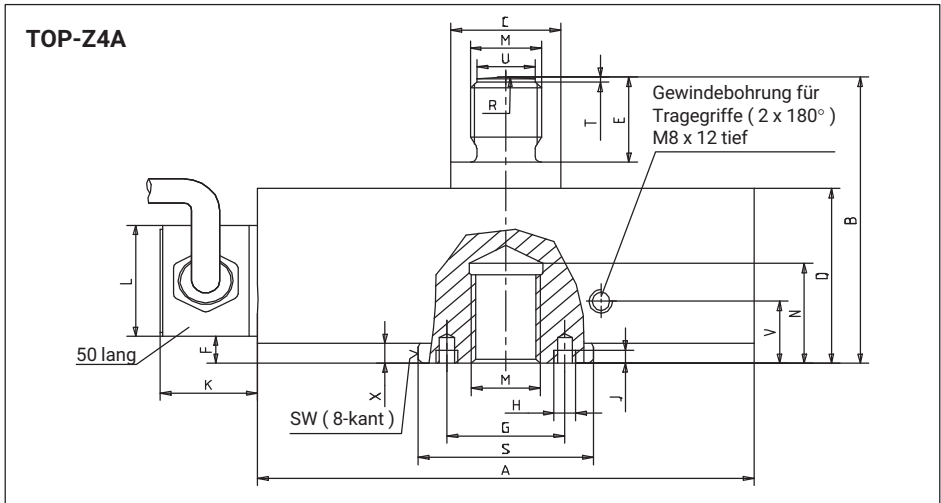
Bei Druckbelastungen nur gemeinsam mit dem Lastknopf verwenden.



Typ	Druckstück Bestellnummer	Gewicht (kg)	$\varnothing A$	$\varnothing B$	C	D	E	F	$\alpha$
TOP-Z30A/100N-1000N	1-EDO3/1 kN	ca. 0,2	13,2	37	22	6	3	8	$18^\circ$
TOP-Z30A/2kN-10kN	1-EDO4/50 kN	0,34	20,2	48	29	8	5	12	$18^\circ$

Zugkrafteinleitung ZKM nach ISO 376 siehe Seite 20.

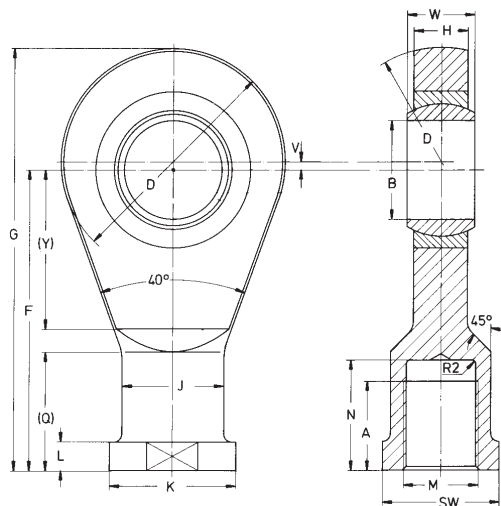
## 10.2 TOP-Z4A und Zubehör



Typ	Ø A	B	ØC <sub>f7</sub>	D	E	F	G	H	J	M
TOP-Z4A/20kN	115	77	25	47	23	7,3				M16
TOP-Z4A/50kN	120	83	26	55	23	10,2	-	-	-	M20x1,5
TOP-Z4A/100kN	146	107	40	69	33	12,2				M30x2
TOP-Z4A/200kN	180	137	50	89	43	13,1	68	M6	6	M39x2
TOP-Z4A/500kN	275	250	100	145	95	21	118	M8	8	M72x4

Typ	N	R	ØS <sub>f7</sub>	T	Ø U	V	X	SW	K	L
TOP-Z4A/20kN	27	60	40	1,4	13		5,3	38		
TOP-Z4A/50kN	28	60	48	1,4	17		8,2	45		
TOP-Z4A/100kN	37	160	62	1,4	27		10,2	59	22	30
TOP-Z4A/200kN	45	160	76	1,8	36		11,1	73		
TOP-Z4A/500kN	87	400	140	3	65	35	20	134	32	43

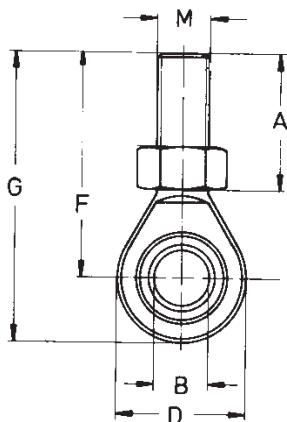
## Zubehör TOP-Z4A: Gelenköse oben ZGOW für alle Nennlasten



Typ	Gelenköse ZGUW Bestellnummer	Ge- wicht in kg	A	Ø B	Ø D	F	G	H	Ø J
TOP-Z4A/ 20kN	1-Z4/20kN/ZGOW	0,2	28	16 H7	42	64	85	15	22
TOP-Z4A/ 50kN	1-U2A/2//ZGOW	0,8	33	20 H7	50	77	102	18	27,5
TOP-Z4A/ 100kN	1-Z4/100kN/ZGOW	1,1	51	30 H7	70	110	145	25	40
TOP-Z4A/ 200kN	1-U2A/10T/ZGOW	3,2	115	50 <sup>+0,002</sup> -0,014	115	151	212,5	28	52
TOP-Z4A/ 500kN	1-Z4/500kN/ZGOW	17,3	180	60 <sup>+0,003</sup> -0,018	180	240	337	36	100

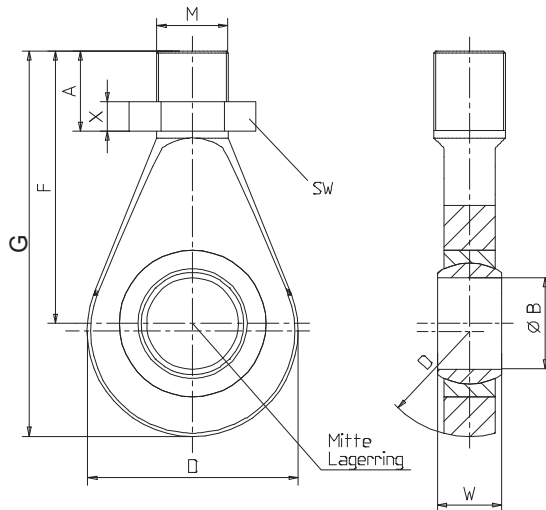
Typ	Ø K	L	M	N	Q	SW	V	W	Y
TOP-Z4A/20kN	27	8	M16	-	-	22	-	21	20
TOP-Z4A/50kN	34	10	M20x1,5	-	-	32	-	25	24
TOP-Z4A/100kN	50	15	M30x2	-	-	41	-	37	31
TOP-Z4A/200kN	65	15	M39x2	56	60	60	4	35	78
TOP-Z4A/500kN	128	20	M72x4	107	120	110	7	44	88

**Zubehör TOP-Z4A: Gelenköse unten ZGUW für Nennlast 20 kN und 100 kN**



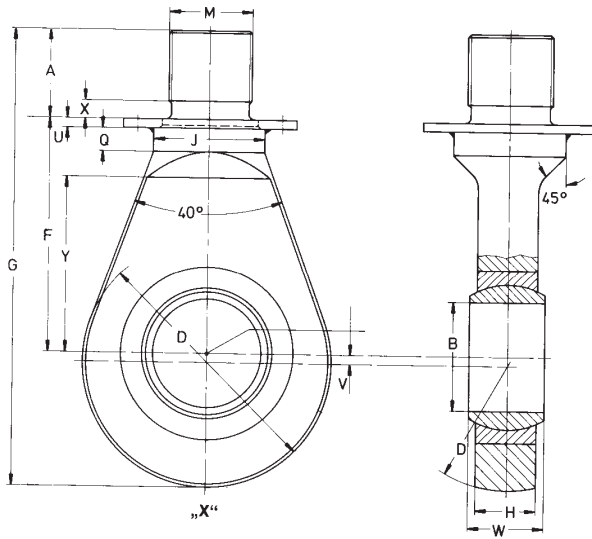
Typ	Gelenköse ZGUW Bestellnummer	Ge- wicht in kg	A	∅ B	∅ D	F	G	M
TOP-Z4A/ 20kN	Z4/20kN/ZGUW	0,2	41,7	16 <sup>H7</sup>	42	67,7	88,7	M16
TOP-Z4A/ 100kN	Z4/100kN/ZGUW	1,1	66,5	30 <sup>H7</sup>	70	110,5	145,5	M30x2

### Zubehör TOP-Z4A: Gelenköse unten ZGUW für Nennlast 50 kN und 200 kN

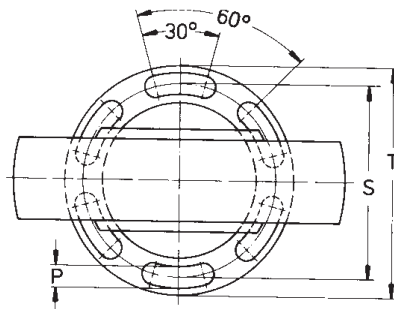


Typ	Gelenköse ZGUW Bestellnum- mer	Ge- wicht in kg	A	ØB	D	F	G	M	SW	W	X
TOP-Z4A/ 50kN	1-U2A/2t/ ZGUW	0,4	57,5	25 <sup>H7</sup>	60	94,5	124,5	M24x2	36	31	10
TOP-Z4A/ 200kN	1-U2A/10t/ ZGUW	3,2	80	60 <sup>+0,003 -0,018</sup>	126	168	236	M48x2	75	44	18

Zubehör TOP-Z4A: Gelenköse unten ZGUW für Nennlast 500 kN



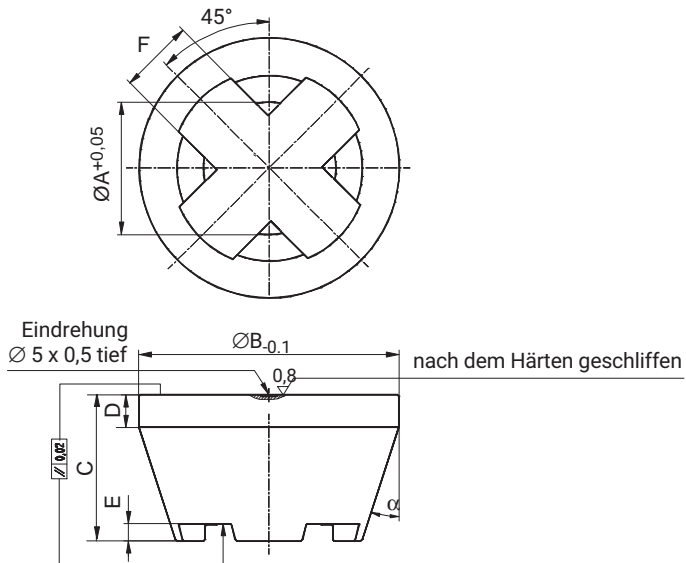
Ansicht „X“



Typ	Gelenköse ZGUW Bestellnummer	Gewicht in kg	A	Ø B	D	F	G	H	M	Ø J
TOP-Z4A/500kN	1-Z4/500kN/ZGUW	12	80	60 <sup>+0,003</sup> <sub>-0,008</sub>	180	175	352	36	M72x4	80

Typ	P	Q	Ø S	Ø T	U	V	W	X	Y
TOP-Z4A/500kN	10	24	110	130	4	7	44	10	129

## Zubehör TOP-Z4A: Druckstück EDO4 nach ISO 376



Typ	Druckstück Bestellnum- mer	Ge- wicht (kg)	$\varnothing A$	$\varnothing B$	C	D	E	F	$\alpha$
TOP-Z4A/20kN	1-EDO4/20kN	0,34	16,2	48	29	8	5	12	18°
TOP-Z4A/50kN	1-EDO4/50kN		20,2		29		5		
TOP-Z4A/100kN	1-EDO4/100kN	1,58	30,2	80	45	10	5	23	
TOP-Z4A/200kN	1-EDO4/200kN		39,2						
TOP-Z4A/500kN	1-EDO4/500kN	4,35	72,4	112	68	15	12	30	15°

Zugkrafteinleitung ZKM nach ISO 376 siehe Seite 20.

