

ENGLISH    DEUTSCH

# Mounting Instructions Montageanleitung



## C9C

Hottinger Brüel & Kjaer GmbH  
Im Tiefen See 45  
D-64293 Darmstadt  
Tel. +49 6151 803-0  
Fax +49 6151 803-9100  
info@hbkworld.com  
www.hbkworld.com

Mat.: 7-0111.0029  
DVS: A03729 04 X00 00  
07:2023

© Hottinger Brüel & Kjaer GmbH

Subject to modifications.  
All product descriptions are for general information  
only. They are not to be understood as a guarantee of  
quality or durability.

Änderungen vorbehalten.  
Alle Angaben beschreiben unsere Produkte in allge-  
meiner Form. Sie stellen keine Beschaffenheits- oder  
Haltbarkeitsgarantie dar.

ENGLISH    DEUTSCH

## Mounting Instructions



# C9C

# TABLE OF CONTENTS

---

<b>1</b>	<b>Safety Instructions</b> .....	<b>4</b>
<b>2</b>	<b>Markings used</b> .....	<b>7</b>
2.1	Markings used in this document .....	7
<b>3</b>	<b>Scope of supply and equipment variants</b> .....	<b>8</b>
<b>4</b>	<b>General application instructions</b> .....	<b>10</b>
<b>5</b>	<b>Design and mode of operation</b> .....	<b>11</b>
5.1	Transducer .....	11
5.2	Strain gage covering agent .....	11
5.3	Inline amplifier .....	11
<b>6</b>	<b>Conditions on site</b> .....	<b>13</b>
6.1	Ambient temperature .....	13
6.2	Moisture and corrosion protection .....	13
6.3	Deposits .....	13
<b>7</b>	<b>Mechanical installation</b> .....	<b>15</b>
7.1	Important precautions during installation .....	15
7.2	General installation guidelines .....	15
<b>8</b>	<b>Electrical connection</b> .....	<b>18</b>
8.1	Connection to measuring amplifier without permanently connected amplifier module .....	18
8.1.1	General information and connection .....	18
8.1.2	Cable extension and cable shortening .....	18
8.1.3	EMC protection .....	19
8.1.4	TEDS chips transducer identification .....	19
8.2	Electrical connection of measuring amplifier with amplifier module .....	20
8.2.1	General information .....	20
8.2.2	Connecting the device with 0-10 V and 4-20 mA output signal .....	21
8.2.3	Operating the inline amplifier/zeroing the measurement chain .....	21
8.3	Inline amplifier module VAIO .....	22
8.3.1	Function .....	22
8.3.2	Electrical connection and assembly of the inline amplifier module .....	23
8.3.3	Starting up .....	24
8.3.4	Data structure .....	24
8.3.5	General displays .....	25

8.3.6	"Identification" menu item	26
8.3.7	Adjusting the measurement chain	27
8.3.8	Limit value switch (limit switches, switching signals)	32
8.3.9	Assignment of digital switching outputs ("Digital IO")	37
8.3.10	Statistical functions (statistics)	38
8.3.11	Alarms (IO-LINK events)	40
8.3.12	Additional information ("Diagnostics")	46
<b>9</b>	<b>Dimensions</b>	<b>50</b>
<b>10</b>	<b>Specifications</b>	<b>53</b>
10.1	Versions and ordering numbers	59

# 1 SAFETY INSTRUCTIONS

---

## **Intended use**

Force transducers in the C9C series are designed solely for measuring static and dynamic compressive forces within the load limits stated in the specifications. Any other use is not the intended use.

To ensure safe operation, it is essential to comply with the regulations in the mounting instructions, the safety requirements listed below, and the data specified in the supplied technical data sheets. It is also essential to observe the applicable legal and safety regulations for the relevant application.

Force transducers are not intended for use as safety components. Please also refer to the "Additional safety precautions" section. Proper and safe operation of force transducers requires proper transportation, correct storage, setup and mounting, and careful operation.

## **Load-carrying capacity limits**

The information in the technical data sheets must be observed when using the force transducers. The respective specified maximum loads, in particular, must never be exceeded. The values specified in the technical data sheets must not be exceeded:

- Force limits
- Lateral limit forces (by oblique application, if necessary)
- Exceeding the permissible eccentricity of force application
- Breaking forces
- Permissible dynamic loads
- Temperature limits
- Electrical load limits

Please note that when several force transducers are interconnected, the load/force distribution is not always uniform.

## **Use as machine elements**

Force transducers can be used as machine elements. When used in this manner, note that to favor greater sensitivity, force transducers were not designed with the safety factors usual in mechanical engineering. Please refer to the "Load-carrying capacity limits" section and the specifications.

## **Accident prevention**

The prevailing accident prevention regulations must be taken into account, even though the nominal (rated) force values in the destructive range are well in excess of the full scale value.

## **Additional safety precautions**

Force transducers cannot (as passive transducers or as a measurement chain) implement any (safety-relevant) cutoffs. This requires additional components and design measures, for which the installer and operator of the plant is responsible.

In cases where a breakage or malfunction of the force transducer would cause injury to persons or damage to equipment, the user must take appropriate additional safety precautions that meet at least the applicable safety and accident prevention regulations (e.g. automatic emergency shutdown, overload protection, catch straps or chains, or other fall protection).

The electronics that process the measurement signal should be designed so that failure of the measurement signal cannot lead to secondary failures.

## **General dangers of failing to follow the safety instructions**

Force transducers are state-of-the-art and failsafe. The transducers can be dangerous if they are mounted, set up or operated improperly, or by untrained personnel. Every person involved in setting up, starting up, operating or repairing a force transducer must have read and understood the mounting instructions and in particular the technical safety instructions. The force transducers can be damaged or destroyed by non-designated use of the force transducer or by non-compliance with the mounting and operating manual, these safety instructions or other applicable safety regulations (safety and accident prevention regulations of the Employers' Liability Insurance Association) when using the force transducers. A force transducer can break, particularly if it is overloaded. The breakage of a force transducer can cause damage to property or injury to persons in the vicinity of the force transducer.

If force transducers are not used as intended, or if the safety instructions or specifications in the mounting and operating instructions are ignored, it is also possible that a force transducer may fail or malfunction, with the result that persons may be injured or property damaged (due to the loads acting on or being monitored by the force transducer).

The scope of supply and performance of the transducer covers only a small area of force measurement technology, as measurements with (resistive) strain gage sensors require electronic amplification, and measurement chains require further signal processing. Equipment planners, installers and operators should always plan, implement and respond to the safety engineering considerations of force measurement technology in such a way as to minimize residual dangers. Pertinent national and local regulations must be complied with.

## **Conversions and modifications**

The design or safety engineering of the transducer must not be modified without our express permission. Any modification shall exclude all liability on our part for any resulting damage.

## **Maintenance**

The force transducers of the C9C series are maintenance free

## **Disposal**

In accordance with national and local environmental protection and material recovery and recycling regulations, old transducers that can no longer be used must be disposed of separately and not with normal household garbage.

If you require more information about disposal, please contact your local authorities or the dealer from whom you purchased the product.

## **Qualified personnel**

Qualified personnel means persons entrusted with installing, mounting, starting up and operating the product who possess the appropriate qualifications for their work.

This includes people who meet at least one of these three requirements:

- As project personnel, you know and are familiar with the safety concepts of automation technology.
- As automation plant operating personnel, you have been instructed how to handle the machinery. You are familiar with the operation of the equipment and technologies described in this documentation.
- As a commissioning or service engineer, you have successfully completed training in the repair of automation plants. Moreover, you are authorized to start up, ground and label circuits and equipment in accordance with safety engineering standards.

During use, compliance with the legal and safety requirements for the relevant application is also essential. The same applies to the use of accessories.







The force transducer may only be installed by qualified personnel, strictly in accordance with the specifications and with the safety requirements and regulations.



## 2 MARKINGS USED

### 2.1 Markings used in this document

Important instructions for your safety are highlighted. Following these instructions is essential in order to prevent accidents and damage to property.

Icon	Meaning
 <b>WARNING</b>	This marking warns of a <i>potentially</i> dangerous situation in which failure to comply with safety requirements <i>could</i> result in death or serious physical injury.
 <b>CAUTION</b>	This marking warns of a <i>potentially</i> dangerous situation in which failure to comply with safety requirements <i>could</i> result in slight or moderate physical injury.
<b>Notice</b>	This marking draws your attention to a situation in which failure to comply with safety requirements <i>could</i> lead to property damage.
 <b>Important</b>	This marking draws your attention to <i>important</i> information about the product or about handling the product.
 <b>Tip</b>	This marking indicates tips for use or other information that is useful to you.
 <b>Information</b>	This marking draws your attention to information about the product or about handling the product.
<i>Emphasis</i> See ...	Italics are used to emphasize and highlight text and identify references to sections of the manual, diagrams, or external documents and files.
	This symbol indicates an action step.

### 3 SCOPE OF SUPPLY AND EQUIPMENT VARIANTS

#### Scope of supply

- C9C force transducer
- C9C mounting instructions
- Test report

#### Accessories (not included in the scope of supply)

Description	Ordering number
KAB168-5, PUR connection cable with M12 8-pin socket, 5 m long, free ends on opposite side. To connect the amplifier module to the downstream electronics. Not suitable for use with the IO-Link interface.	1-KAB168-5
KAB168-20, PUR connection cable with M12 8-pin socket, 20 m long, free ends on opposite side. To connect the amplifier module to the downstream electronics. Not suitable for use with the IO-Link interface.	1-KAB168-20
Thrust piece ED09/20 kN; suitable for nominal (rated) forces of 0.5 kN to 20 kN	1-ED09/20kN
Thrust piece ED09/50 kN; suitable for nominal (rated) force 50 kN	1-ED09/50kN

#### Equipment variants

All force transducers are available in different versions. The following options are available:

##### 1. Cable

The C9C is equipped with a cable 1.5 m long in the standard version. You can also order the force transducer with the following cable lengths:

- 3 m
- 5 m
- 6 m
- 7 m
- 12 m

##### 2. Device plug/electrical connection

We can mount one of the following connectors on the C9C if requested:

- SUB-D connector, 15-pin: A 15-pin plug for connection to numerous amplifier systems, e.g. MGCplus, Scout, MP85, etc.
- SUB-HD connector: A 15-pin plug for connection to appropriate amplifier systems, e.g. the HBK QuantumX system
- 3106 PEMV connector (Greenline): For connection to appropriate amplifier systems, e.g. MGCplus with AP03.
- Free ends: Transducer delivered without plugs.
- The force transducer can be ordered with a permanently connected amplifier electronics module which converts the output signal of the force transducer into a 0 V to 10 V signal. This option is only available with 1.5 m and 3 m cable lengths.
- The force transducer can also be ordered with a permanently connected amplifier electronics module which converts the output signal of the force transducer into a 4 ... 20 mA signal. This option is only available with 1.5 m and 3 m cable lengths.

### 3. TEDS

You can order the force transducer with transducer identification ("TEDS"). TEDS (Transducer Electronic Data Sheet) allows you to store the transducer data (characteristic values) in a chip that can be read out by a connected measuring device (with an appropriate amplifier). HBK records the TEDS data at the time of delivery so that no parameterization of the amplifier is necessary.

TEDS can only be fitted in the plug of the C9C, therefore it is not possible to equip the "free cable ends" version with TEDS. The versions with permanently connected amplifier electronics cannot be connected with the TEDS option.

## 4 GENERAL APPLICATION INSTRUCTIONS

---

Force transducers are suitable for measuring compressive forces. They provide highly accurate static and dynamic force measurements and must therefore be handled very carefully. Particular care must be taken during transportation and installation. Dropping and knocking the transducer may cause permanent damage.

C9C series force transducers have a convex force application part, to which the forces to be measured must be applied.

The Specifications section 10 on page 53 lists the permissible limits for mechanical, thermal and electrical loading. It is essential to observe these limits when planning the measuring set-up, during installation and, ultimately, during operation.

### 5.1 Transducer

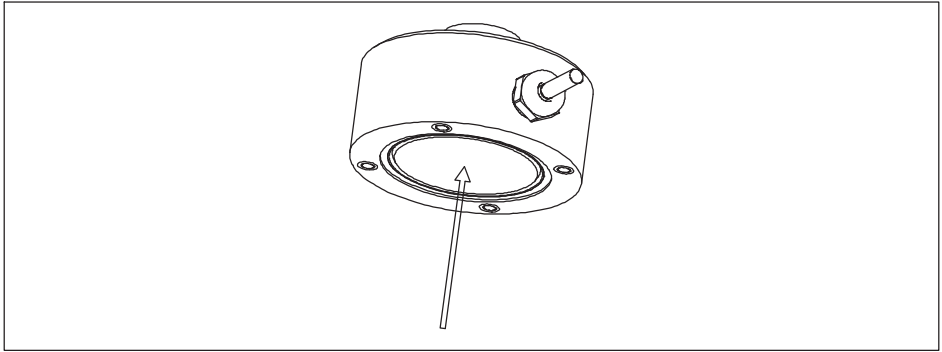
The measuring body is a steel loaded member on which strain gages (SG) are installed. The influence of a force deforms the measuring body, so there is deformation in places where the strain gages are installed. The SG are attached so that two are stretched and two are compressed when a force is applied. The strain gages are wired to form a Wheatstone bridge circuit. They change their ohmic resistance in proportion to their change in length and thus unbalance the Wheatstone bridge. If there is an excitation voltage, the circuit produces an output signal proportional to the change in resistance and thus also proportional to the applied force. The strain gage arrangement is chosen to compensate, as much as possible, for parasitic forces and moments (e.g. lateral forces and eccentricity influences), as well as the effects of temperature.

### 5.2 Strain gage covering agent

To protect the SG, the force transducers have thin cover plates that are welded on the bottom and, in versions with a nominal (rated) force of up to 200 N, on the top. This method offers very good protection against environmental conditions so that the C9C reaches the protection class IP67. In order to retain the protective effect, these plates must not be removed or damaged in any way.

### 5.3 Inline amplifier

The sensors can optionally be ordered with an inline amplifier. This amplifier module supplies the bridge circuit of the sensors with a suitable supply voltage, and converts the small output signal of the force transducers with low noise into a 0 ... 10 V voltage signal (VA1) or a 4 ... 20 mA current signal (VA2). You can also order the force transducer with an inline amplifier with an IO-Link interface (VAIO). The delivery is then carried out as a measurement chain, and the test record describes the correlation between the force input quantity and the output signal in V or mA.



*Fig. 5.1 The underside of the transducer is fitted with a thin metal plate to protect the strain gages*

In versions with nominal (rated) forces up to 200 N, there is also a metal plate on the top of the transducer, that also needs to be handled with care.

C9C series force transducers are made of rustless materials. It is nevertheless important to protect the transducers from weather conditions such as rain, snow, ice and salt water.

### 6.1 Ambient temperature

The effects of temperature on the zero signal and on sensitivity are compensated.

To obtain optimum measurement results, comply with the nominal (rated) temperature range. The compensation of the temperature effect on the zero point is implemented with great care, but temperature gradients can still have a negative effect on the stability of zero. Constant or very slowly changing temperatures are therefore best. A radiation shield and thermal insulation on all sides provide marked improvement. However, they must not be allowed to set up a force shunt, i.e. slight movement of the force transducer must not be prevented.

### 6.2 Moisture and corrosion protection

The force transducers are hermetically encapsulated and are therefore very insensitive to moisture. The transducers achieve protection class IP67.

Despite the careful encapsulation, it makes sense to protect the transducers against permanent exposure to moisture.

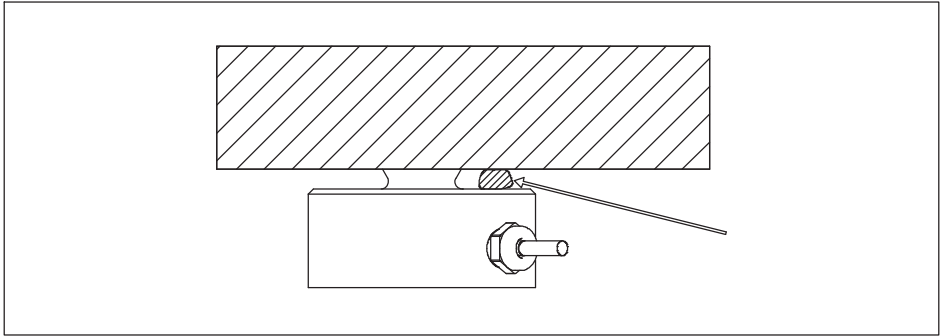
The force transducer must be protected against chemicals that could attack the steel.

With stainless steel force transducers, note that acids and all materials which release ions will in general also attack stainless steels and their welded seams. Should there be any corrosion, this could cause the force transducer to fail. In this case, appropriate protective measures must be provided.

The housing of the inline amplifiers is made of aluminum and, like the sensor, meets the requirements of IP67 protection. We recommend protecting the amplifier housing from sustained weather effects.

### 6.3 Deposits

Dust, dirt and other foreign matter must not be allowed to accumulate sufficiently to divert some of the measuring force around the force transducer, thus invalidating the measured value (Force shunt). The relevant areas are marked in *Fig. 6.1*.



*Fig. 6.1 Deposits must not be allowed to form on the finely hatched area, as this could cause a force shunt.*



## 7 MECHANICAL INSTALLATION

### 7.1 Important precautions during installation

- Handle the transducer with care.
- Comply with the requirements for the force application parts, as specified in section 7.2.
- Welding currents must not be allowed to flow over the transducer. If there is a risk that this might happen, you must use a suitable low-ohm connection to electrically bypass the transducer. HBK offers the highly flexible EEK ground cable in various lengths for this purpose, that is screwed on above and below the transducer.
- Make sure that the transducer is not overloaded.

#### WARNING

If the transducer is overloaded, there is a risk that it might break. This can cause danger for the operating personnel of the system in which the transducer is installed, as well as for people in the vicinity.

Implement appropriate safety measures to avoid overloads (also see the Specifications section 10 on page 53) or to protect against resulting dangers.

### 7.2 General installation guidelines

The forces to be measured must act on the transducer as accurately as possible in the direction of measurement. Bending moments resulting from lateral force, eccentric loading and the lateral forces themselves, may produce measurement errors and destroy the transducer, if limit values are exceeded.

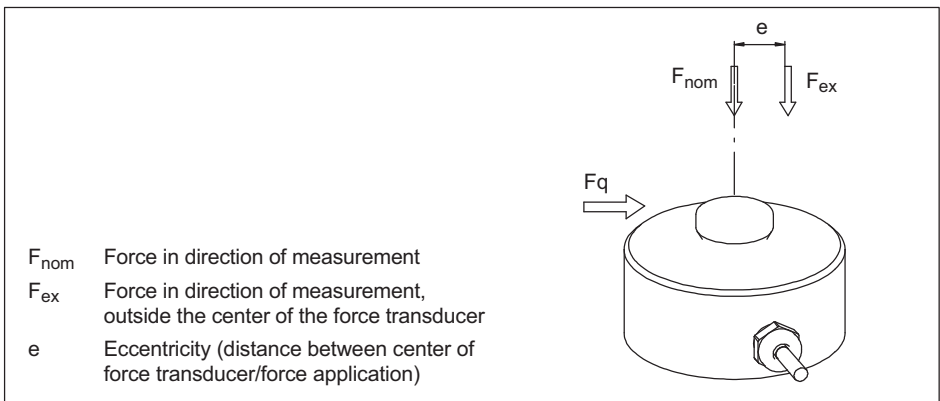


Fig. 7.1 Parasitic forces and moments

## Notice

When installing and operating the transducer, please note the maximum parasitic forces - lateral forces (due to oblique application), bending moments (due to eccentric force application) and torques, see the Specifications section 10 on page 53, and the maximum permissible loading capacity of the force application parts used (possibly provided by the customer).

---

Load is applied via the spherical load button on top of the force transducer.

The structural component that applies the force to the convex load application part must be ground and have a hardness of at least 40 HRC.

HBK provides EDO9 thrust pieces for the C9C, which are used to keep torques and bending moments away from the transducer. The thrust pieces naturally have the correct hardness and surface quality.

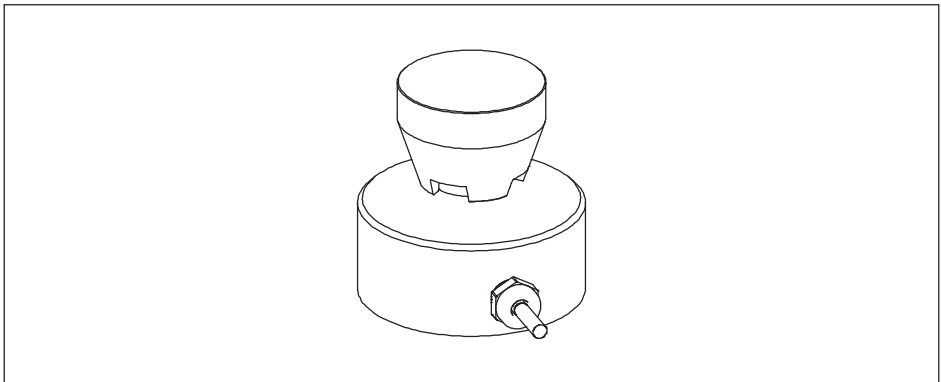


Fig. 7.2 Using the EDO9 thrust piece

The substructure must be capable of absorbing the force to be measured. Remember that the rigidity of the overall system depends on the stiffness of the force application part and the substructure. Please also note that the substructure must ensure that force is always applied to the transducer vertically, i.e. there must be no inclination, even under full load.

There are threaded holes underneath the adapter, by means of which the C9C can also be mounted upside down or vertically.

Nominal (rated) force	Thread
50 N...200 N	3 x M3
0.5...20 kN	3 x M2
50 kN	4 x M4

Please note the construction heights of the C9C

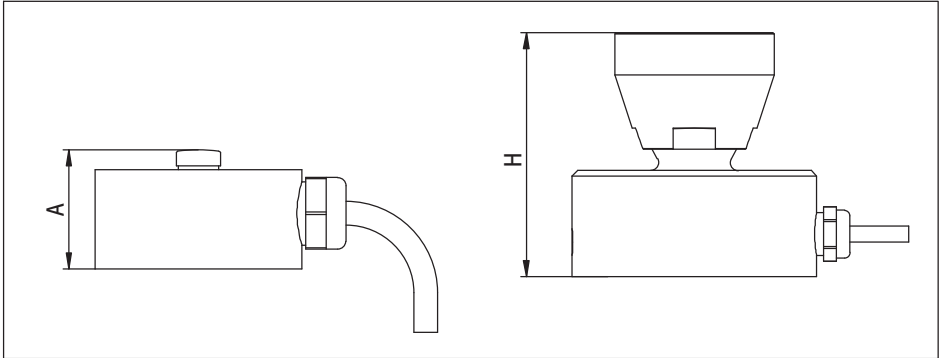


Fig. 7.3 Construction heights of the C9C with and without the EDO9 thrust piece

C9C	A-0,1	H
50...200 N	15	-
0.5...20 kN	13	31.5
50 kN	28	48.5

The following requirements must also be imposed on the structural component that takes the base of the force transducer, or on which the C9C is placed:

- We recommend a flat, paint-free and grease-free surface. Cleaning agent RMS1 from HBK can be used for cleaning (ordering number 1-RMS1).
- The hardness must be at least 40 HRC.
- It must be stiff enough not to bend.
- The ideal flatness does not exceed a tolerance of 0.01 mm.

## 8 ELECTRICAL CONNECTION

### 8.1 Connection to measuring amplifier without permanently connected amplifier module

The C9C is a force transducer that outputs a mV/V signal based on strain gages. An amplifier is needed to condition the signal. All DC amplifiers and carrier-frequency amplifiers designed for SG measurement systems can be used.

Force transducers are executed in a four-wire circuit.

#### 8.1.1 General information and connection

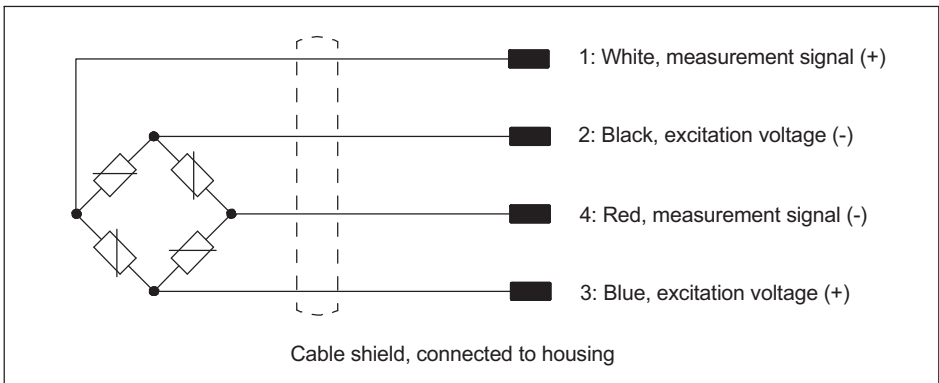


Fig. 8.1 Pin assignment and color code

The output signal is positive with this pin assignment and load in the pressure direction. If you need a negative output signal in the pressure direction, exchange the red and white wires.

The connection cable shield is connected to the transducer housing. If you are not using pre-wired HBK cables, please connect the cable shield to the cable socket housing. Use CE standard connectors on the free ends of the cable to be connected to the amplifier system; the shield must be connected extensively. With other connection techniques, a good EMC shield must be provided in the stranded area, where the shielding must also be extensively connected.

#### 8.1.2 Cable extension and cable shortening

Various connection cable lengths are available for the C9C so that cable extensions and cable shortening are generally not necessary.

As the transducer has a four-wire configuration, the cable is also used to compensate the temperature dependence of the sensitivity. We therefore do not recommend shortening

the cable and extension cables should be implemented in a 6-wire configuration. Please note the operating instructions for your amplifier system in this case. All C9Cs ordered with fitted connectors come with 6-wire configuration as of the connector. See the Specifications section 10 on page 53 of this manual for the connector pin assignment. Please remember that an extension cable must have six wires. Such an extension will have no influence on the measurement. If you have selected the "Sub HD" (for QuantumX) option as the connector in combination with the "TEDS" option, you must extend with seven wires as in this case, a so-called "one-wire TEDS" is fitted and this requires two additional wires.

With extension cables, ensure that the connection is perfect with a low contact resistance and continue to connect the cable shield extensively. Note that the protection class of your force transducer will decrease if the cable connection is not tight and water can penetrate the cable. Transducers can be irreparably damaged and fail in these circumstances.

### 8.1.3 EMC protection

Electrical and magnetic fields can often induce interference voltages in the measuring circuit. Pay attention to the following points to avoid this:

- Use shielded, low-capacitance measurement cables only (HBK measurement cables fulfill these conditions).
- Do not route the measurement cable parallel to power lines and control circuits. If this is not possible, protect the measurement cable with metal tubing.
- Avoid stray fields from transformers, motors and contact switches.
- Note that compensating currents flowing through the cable shield can cause major interference. If the sensor and your evaluation unit are at different electrical potentials, an electrical connection with very low resistance must be provided.
- Connect all the devices in the measurement chain to the same protective conductor.
- Always connect the cable shield extensively on the amplifier side, to create the best possible Faraday cage.

### 8.1.4 TEDS chips transducer identification

A TEDS (Transducer Electronic Data Sheet) chip allows you to store the rated outputs of a sensor in a chip in accordance with IEEE 1451.4. The C9C can be supplied with TEDS, which is then mounted in the connector housing, connected and supplied with data by HBK before delivery. If the force transducer is ordered with a manufacturing certificate, the characteristic values from the manufacturing certificate are stored in the TEDS chip; if an additional DAkkS (national accreditation body for the Federal Republic of Germany) calibration is ordered, the calibration results are also stored in the TEDS chip.

The TEDS chip is executed in a zero-wire configuration for all connector variants. The connector wiring is implemented in such a way that the force transducer can be connected to the HBK amplifier with a zero-wire configuration. Please note that for TEDS to function correctly, all extensions must be executed in a 6-wire configuration.

If a suitable amplifier is connected (e.g. QuantumX from HBK), then the amplifier electronics will read the TEDS chip and parameterization will follow automatically, without any intervention required by the user. The chip content can be edited and changed with appropriate hardware and software. The Quantum Assistant, or DAQ CATMAN software from HBK, can be used for this purpose, for example. Please pay attention to the operating manuals of these products.

## **8.2 Electrical connection of measuring amplifier with amplifier module**

### **8.2.1 General information**

If you have ordered the sensor with an inline amplifier, the inline amplifier and force transducer form a measurement chain that cannot be separated. The measurement chain is accordingly calibrated as a unit, meaning the test record (or calibration certificate) directly indicates the relationship between the force (in Newtons) and the output signal (in V or mA).

In order to guarantee a reliable measurement even under the influence of electromagnetic fields, the housings of the inline amplifier and the sensor are connected to the cable shield. This means that the sensor, cable and amplifier housing form a Faraday cage. This concept is failsafe and highly insensitive to interference.

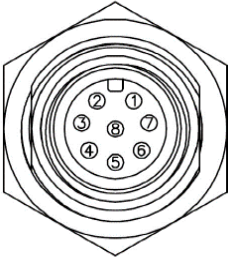
Note that the thread of the M12 device plug, by which you make the connection to the next link in the measurement chain, is also electrically connected to the amplifier housing, and so ultimately to the sensor housing.

If the housing of the inline amplifier and the sensor are at different electrical potentials, compensating currents may flow through the cable shield and influence the measurement. So make sure that all components are at the same electrical potential. If you are daisy-chaining the shield of the cable connected to the M12 device plug, the next component in the chain must also be set to the potential of the sensor and amplifier housing. Use low-ohm connections for potential equalization.

A compressive force load will result in a rising current or voltage signal.

### 8.2.2 Connecting the device with 0-10 V and 4-20 mA output signal

The device is connected via a M12 plug on the front of the inline amplifier. The assignment is set out in the following table. The supply voltage must be within the specified range (19 V ... 30 V).



Pin	Version VA 1 (voltage output)	Version VA 2 (current output)	KAB168 connection cable wire assignment
1	Supply voltage 0 V (GND)		White
2	Not in use		Brown
3	Zero control input		Green
4	Not in use		Yellow
5	Output signal 0 ... 10 V	Output signal 4 ... 20 mA	Gray
6	Output signal 0 V	Not in use	Pink
7	Not in use		Blue
8	Voltage supply +19 ... +30 V		Red

The cable connecting the inline amplifier to the next link in the measurement chain must not exceed 30 m in length.

### 8.2.3 Operating the inline amplifier/zeroing the measurement chain

The measurement starts as soon as the sensor is connected to a supply voltage and the output of the amplifier is connected to the next link in the measurement chain.

If you apply a voltage > 10 V to the "Zero" input, a one-off zeroing is performed. After this zeroing, the device continues to measure, even if you apply a voltage above 10 V to the input.

To trigger a new zeroing operation, the input must first be set to 0 V and then be reset by applying a voltage of over 10 V.

#### Notice

*Please note that you can zero the measurement chain with any force applied. If an initial load is already acting on the force transducer, it is essential to consider it, otherwise the force transducer may be overloaded.*

The zero point is not permanently stored in the device. If you have disconnected the measurement chain from the supply voltage, we recommend zeroing again.

### 8.3 Inline amplifier module VAIO

If you have ordered your C9C with a connected inline amplifier "VAIO", you will receive your sensor and electronics in a permanently connected unit. In this version, a digital data output signal is ready. The sensors have an IO-Link interface with a COM3 data output rate. The data structure equates to the IO-Link profile smart sensors 2nd edition, specification, version 1.1, September 2021

The module can be used as a measuring sensor and a programmable actuator (via digital switching outputs).

#### 8.3.1 Function

The analog signals of the force transducer are initially digitized, so that they can then be converted into measured values in Newton as per the factory settings. Regardless of the connected master, the sample rate during this process is always 40 kHz, so that even very fast processes can be recorded securely and evaluated in the subsequent electronics (e.g., peak force during a compression process). It is possible to store the result of a calibration in the sensor to increase the level of accuracy. During another scaling step, you can enter any unit and a conversion factor so that it is possible to determine other physical quantities (e.g., torque while using a lever arm or measurements using units other than the ones of the SI system, e.g. lbf).

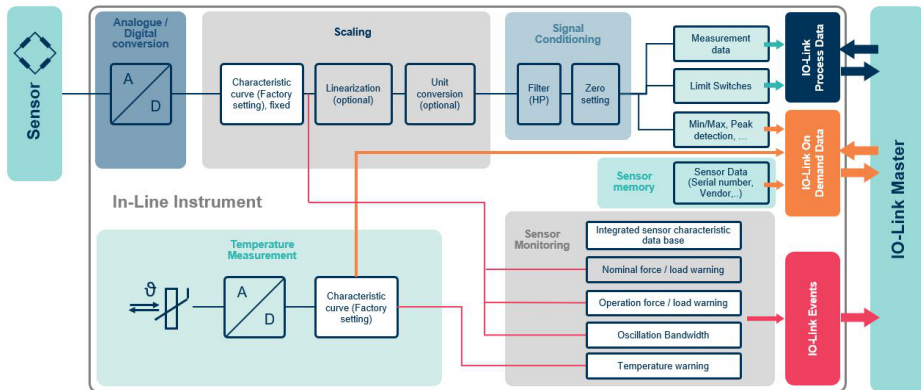


Fig. 8.2 Fig.: Signal flow within the sensor electronics. The fields marked in white cannot be changed/parameterized by the user.

The amplifier module has other functions, such as a digital low pass filter, peak-value memory (trailing pointer function), or limit value switch based on the smart sensor profile. Please observe the following notes.

The electronics permanently monitor the output signal so that you will be warned if any critical operating states are set.



The data is transferred to the PLC via an IO-LINK master – in accordance with the standard IEC 61131-9 (IO-Link). The electric connection is also defined in this standard.

### 8.3.2 Electrical connection and assembly of the inline amplifier module

The inline amplifier has two holes that can be used to mount the module (see drawing in "Dimensions" section). As the housing of the amplifier module and housing of the force transducer are connected electrically via the cable shield, this creates a Faraday cage for all of the components. The measurement chain thus offers a high level of operational safety, even in the event of unfavorable EMC conditions. The HBK measurement chain is tested in accordance with EN 61326.



#### Important

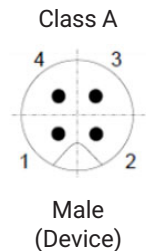
*Please ensure that the inline amplifier and force transducer are on the same electric potential to prevent any compensating current via the cable shield.*

The module has a short-circuit proof design but is not protected against overvoltages.

An IO-Link master is connected to the M12 plug. The plug assignment is in accordance with the specifications of the standard ([IO-Link] 5.5.1 Connectors), class A and is as follows:

#### Socket on inline amplifier, top view of the pin assignment

PIN	Assignment U9/C9
1	Supply voltage +
2	Digital output (DI/DO pin function)
3	Supply voltage, reference potential
4	IO-Link data (C/Q), automatic switchover to the digital output (SIO mode)



#### Information

*HBK uses M12 class A connections as per the IO-Link standard*

#### Notice

*The amplifier module and sensor are permanently connected. The cable, sensor, and amplifier are connected to one another, and must not be disconnected. If the sensor connection cable is damaged, please send your measurement chain for repair to HBK.*

## WARNING

*The module is not suitable to be operated on other sensors. It is not possible to separate the amplifier from the sensor and complete reliable measurements with other force transducers.*

---

### 8.3.3 Starting up

Connect the amplifier to an IO-Link master using a cable that is suitable for IO-Link communication. If the requirements for measurement accuracy are very high, we recommend running the measurement chain for 30 minutes.

The measurement chain starts now and is then ready for operation. The master sends a wake-up signal to the sensor for this purpose.

If the corresponding connection of the IO-Link master is configured for the IO-Link operating mode, the master reads the basic device parameters from the measurement chain. These parameters are designed to automatically establish the communication and identify the measurement chain. In this state, the sensor transfers the process data (measurement data in Newton and status of the limit value switch) and master cyclically and automatically.

Please observe the instructions of the IO-Link master and the instructions for the software you are using.

The device description file (IODD) of the measurement chain enables your application to display the measurement data and parameters, and to configure the measurement chain based on your requirements (limit value switch, filter, etc.). If your application does not automatically download the IODD from the Internet, then you can download it from the official IO-Link page <https://ioddfinder.io-link.com>. To do so, enter the K-U9C/nominal (rated) force, i.e. K-U9C/50kN, and the name of the manufacturer, i.e. Hottinger Brüel & Kjaer GmbH, in the search field and then load the IODD into your application.

Alternatively, you can also use the table of variables (object dictionary) from these instructions to program and set up your downstream electronics.

### 8.3.4 Data structure

The data between the electronics and IO-Link master are transferred in the IO-Link M-sequence format TYPE\_2\_V.

Process data IO-Link master -> Device (force transducer)	MC	CKT	PDout0									
Data stream for On-Demand data				OD_0	OD_1							
Process data device (force transducer) -> IO-Link master						PDin0	PDin1	PDin2	PDin3	PDin4	PDin5	CKS

The measurement value and control state of the limit value switch, as well as warnings (see below) are transferred using the six process data bytes PDin0 to PDin5. The measurement data is in the first four bytes (PDin0 to PDin3). The measurement data is transferred in float format. The transfer is completed with every cycle; the cycle time is dependent on the master and parameterization that is used.

Typical latency times from the change in force through to the evaluation by a PLC are between 3 and 10 milliseconds (amongst other things, dependent on the used IO-Link master, fieldbus, PLC) if the filters (see below) in the electronics are deactivated.

On-Demand data is issued upon request (and transferred with the help of bytes OD\_0 and OD\_1 illustrated above). This includes:

- Temperature information
- Sensor information (manufacturer, order code, serial number)

Other results are transferred as IO-Link events, if required. A bit is set in the "CKS" byte for this purpose. Further information on the warning can be called up as On-Demand data.

- Exceeding the nominal (rated) force or operating force range
- Exceeding the nominal (rated) temperature range or operating force range
- Exceeding the dynamic load (permissible oscillation stress)

### 8.3.5 General displays

The following information is always available and is generally displayed once you have established the connection between the electronics and an IO-Link master.

Please note: The display can vary depending on which IO-Link master and software are used as this is determined by the master/software GUI.

Index (hex)	Sub-index (hex)	Permissions	Data Type	Data Size bytes	Parameter	Description
0	0x08, 0x09	ReadOnly	Byte	2	Vendor ID	429 (ID Hottinger, Bruel & Kjaer)
0	0xDA, 0x0B, 0x0C	ReadOnly	Byte	3	Device ID	Unique identifier dependent on the sensor type and nominal (rated) force
0x0013	0x00	ReadOnly	StringT	63	IOL product ID	Type series and nominal (rated) force of the sensor
0x0014	0x00	ReadOnly	StringT	63	IOL product text	e.g.: Force transducer for compressive forces
0x0015	0x00	ReadOnly	StringT	16	IOL serial number	Sensor serial number
0x0017	0x00	ReadOnly	StringT	64	IOL Firmware Rev	Firmware status
0x1008	0x00	ReadOnly	String T	64	K-Mat	Ordering number of your sensor
0x0016	0x00	ReadOnly	StringT	64	Rev	Hardware version

### 8.3.6 "Identification" menu item

This menu item contains the following fields:

- Application specific Spec: You can enter free text here to add a comment to the measuring point. MAX: 32 characters
- Function Tag: You can enter free text here to describe the application of the measuring point. MAX: 32 characters
- Location Tag: You can enter free text here to indicate the location of the measuring point: MAX: 32 characters
- Production Date: Production date of your sensor
- K-MAT: This is the order code of your sensor, you cannot write in this field or change the contents
- Firmware version: This is the firmware version of your electronics, you cannot write in this field or change the contents
- Hardware version: This is the hardware version of your electronics, you cannot write in this field or change the contents

Index (hex)	Sub-index (hex)	Permissions	Data Type	Data Size bytes	Parameter	Description
0x0010	0x00	ReadOnly	StringT	63	Vendor Name	Hottinger Bruel & Kjaer GmbH
0x0011	0x00	ReadOnly	StringT	63	Vendor Text	<a href="http://www.hbkworld.com">www.hbkworld.com</a>
0x0012	0x00	ReadOnly	StringT	63	Product Name	Sensor type, e.g. K-U9c_20kN
0x0013	0x00	ReadOnly	StringT	63	Product ID	Sensor type and nominal (rated) force
0x0014	0x00	ReadOnly	StringT	63	Product Text	e.g.: Force transducer for compressive forces
0x0018	0x00	ReadWrite	StringT	32	Application-specific TAG	Free text, max. 32 characters (comment on the measuring point)
0x0019	0x00	ReadWrite	StringT	32	Function Tag	Free text, max. 32 characters (measuring point application)
0x001A	0x00	ReadWrite	StringT	32	Location TAG	Free text, max. 32 characters (location of the measuring point)
0x0016	0x00	ReadOnly	StringT	64	Hardware Rev	Hardware version
0x0017	0x00	ReadOnly	StringT	64	Firmware Rev	Firmware status
0x0015	0x00	ReadOnly	StringT	16	Serial Number	Sensor serial number
0x0803	0x00	ReadOnly	StringT	32	PCB number	Serial number of amplifier electronics

### 8.3.7 Adjusting the measurement chain

The measurement chain is adjusted at the factory and issues correct force value after starting (within the context of measurement uncertainty). An adjustment is not necessary

during normal operation. You can adjust the characteristic curve if you would like to use the calibration result to improve the calculation of the force values (linearization), or if you would like to use a different unit than Newton (kN, Nm, etc.).

If you would like to increase the measurement accuracy by using an existing calibration certificate, select the "Adjustment mode" point from the "Adjustment" menu. Here you can select whether you want to work with supporting points, or whether you would prefer to enter the coefficients of a cubic or square compensating polynomial.

### Zero setting

You can use the "Zero setting" button in the software of your IO-Link master to set it to zero. Once the electronics have been set to zero, further measurement data will be issued. To repeat the zero settings process, the button must first be made inactive before it can be actuated again.

The zero point is not saved permanently; if you disconnect the device from the supply voltage it will have to be set to zero again.

Index (hex)	Sub-index (hex)	Read/write access	Data Type	Data size bytes	Description	Value (hex)	Description
0x0002	0x00	Write	UINT	1	Zero Setting	0xD0	Triggers zero setting
0x0002	0x00	Write	UINT	1	Zero Reset	0xD2	Deletes the zero memory

### Documentation fields, deactivation of the customer adjustment (linearization), selection of the linearization method

It contains the following fields:

- Calibration date: Here you can make a note of the date on which the sensor was calibrated. If you have the sensor is calibrated in the HBK calibration laboratory, the data of the HBK calibration laboratory is entered
- Calibration authority: Here you can enter the calibration laboratory that completed the calibration. If you have the sensor is calibrated in the HBK calibration laboratory, the data of the HBK calibration laboratory is entered
- Calibration certificate ID: You can enter the number of the calibration certificate here.
- Calibration expiration date: Here you can enter when the sensor should be recalibrated. The time between two calibrations is defined by the customer, which is why this field is not completed if a calibration is completed at HBK.
- Linearization: Here, you enable and disable the linearization, and thus the effect of entering the results of a calibration certificate. Disabled: Function disabled; stepwise: Entry of supporting points; polynomial: Entry of a compensating polynomial: 1, 2, or 3 grades (see following text)



## Important

Please remember that the linearization is only effective if "Linearization" is NOT set to "disabled"

Index (hex)	Permissions	Data Type	Data Size bytes	Description	Description
0x0C44	ReadWrite	StringT	32	Calibration date	Calibration date
0x0C45	ReadWrite	StringT	32	Calibration authority	Calibration laboratory
0x0C46	ReadWrite	StringT	32	Calibration certificate ID	Number of the calibration certificate
0x0C47	ReadWrite	StringT	32	Calibration expiration date	Date on which a new calibration is required
0x0C26	ReadWrite	UIntegerT	1	Linearization	Selection of the type of linearization:
					0: no linearization applied 1: linearization via supporting points 2: linearization via cubic function

### Linearization via supporting points

- ▶ Select "Stepwise linear adjustment" and the "Adjustment supporting points" menu is displayed.
- ▶ Enter the number of supporting points, this number can be between 2 and 21. Please note that the zero point is a supporting point. If you want to enter a straight line, you must select two supporting points.
- ▶ Enter the force generated by the calibration machine for the relevant level in the field "Ext Cal X".
- ▶ Copy the measurement result of the calibration from the calibration certificate and enter the numerical values as "Ext Cal Y".
- ▶ It is important to start with the most negative force as that is the highest tensile force. On pure compressive force sensors, 0 N is defined as the "highest tensile force".

Index (hex)	Sub-index (hex)	Permissions	Data Type	Data Size bytes	Description	Description
0x0C27	0x00	ReadWrite	UIntegerT	1	External calibration number of points	Number of supporting points, including zero point
0x0C28	0x01 - 0x15	ReadWrite	Float32T	4	Ext Cal X 1 - Ext Cal x 21	Entry of the supporting points of a calibration
0x0C29	0x01 - 0x15	ReadWrite	Float32T	4	Ext Cal Y 1 - Ext Cal Y21	Entry of the calibration result for a supporting point



### Information

As there are 21 supporting points, it is possible to create two calibration certificates for tensile/compressive force transducers, one for the tensile range and one for the pressure range.

### Linearization via compensation function

Select "Cubic polynomial calibration". You can use cubic, square, and linear compensation functions. You can process two cubic functions in the "Adjustment Coefficients" menu: One for the tensile force range and one for the compressive force range.

Tensile force: Negative force

Compressive force: Positive force

A prerequisite is that a calibration was completed and the result is available in the following format:

$$F \text{ output} = R \cdot X^3 + S \cdot X^2 + T \cdot X$$

In this case F output is the measurement result calculated and corrected by the electronics. The coefficients R, S, and T are the results of an approximation of the characteristic curve, as determined by the calibration.



### Tip

The designations are in accordance with the calibration certificate as per ISO 376. If you have such a certificate, you can simply copy the coefficients from the calibration certificate. HBK will enter the coefficients for you, if you complete the calibration at HBK.



If you are working with a square approximation, please set R to zero. If you are using a linear approximation, please set R and S to zero. The calibration certificate must contain tared values, i.e., the cubic function must not contain any constants.

In the "Adjustment" menu, the name of the calibration facility, date, calibration certificate designation, and expiry date can be saved in the electronics for documentation purposes if a calibration certificate is available. (see above)

Index (hex)	Sub-index (hex)	Permissions	Data Type	Data Size bytes	Description	Description
0x0C2A	0x02	ReadWrite	Float32T	4	Adjustment coeffs T compr.	Linear portion for the pressure range
0x0C2A	0x03	ReadWrite	Float32T	4	Adjustment coeffs S compr.	Square portion for the pressure range
0x0C2A	0x04	ReadWrite	Float32T	4	Adjustment coeffs R compr.	Cubic portion for the pressure range
0x0C2B	0x02	ReadWrite	Float32T	4	Adjustment coeffs T tens.	Linear portion for the tensile range
0x0C2B	0x03	ReadWrite	Float32T	4	Adjustment coeffs S tens.	Square portion for the tensile range
0x0C2B	0x04	ReadWrite	Float32T	4	Adjustment coeffs T tens.	Cubic portion for the tensile range

### Measurement output using a different unit

Use the "Unit Conversion" point to select a different unit than N. The numeric value that is then sent to the downstream electronics is the same as the one displayed in the software of your IO-Link master.

You can now select the unit under "Process data switch". If you select kN, MN the conversion is completed automatically; if you select a different unit you will be asked to enter a "Unit Conversion Factor".

Example: Output should be in kg. Select kg as the unit. At your site the Gravitational acceleration is  $9.806 \text{ m/s}^2$ . The scale factor  $1/9.806 \text{ m/s}^2 = 0.101979 \text{ s}^2/\text{m}$

The calculation is then completed: Output in kg = measurement value in N x  $0.101979 \text{ s}^2/\text{m}$

If you have to complete a conversion, that requires a constant factor, then you can enter it under "Zero Offset User".

Index (hex)	Sub-index (hex)	Permissions	Data Type	Data Size bytes	Description	Description
0x00FC	0x00	ReadWrite	UIntegerT	1	Process data switch	Selection of a different unit than N
0x0C19	0x00	ReadWrite	Float32T	4	User unit conversion factor	Conversion factor
0x0C1B	0x00	ReadWrite	Float32T	4	Zero offset user	Entry of a zero value

## Filter

The electronics provides low-pass filters. You can select the Butterworth or Bessel characteristic. The filter frequencies can be set by numerical inputs ranging from 0.01 Hz to 1000 Hz.

- Select the "Low Pass Filter Mode" menu to enable/disable the filter and to select the filter characteristics (Butterworth or Bessel)
- Use the "Filter Low Pass Cut Off Frequency" menu item to enter the cut-off frequency

In the event of a signal jump, a Butterworth filter will overshoot, i.e., higher values than were actually measured will be issued for a short time, while the response time is very low. Bessel filters do not overshoot in the event of a signal jump, but do have a significantly longer settling time. For this purpose, observe the signal runtime in the specifications.

Index (hex)	Sub-index (hex)	Permissions	Data Type	Data Size bytes	Description	Description
0x006F	0x00	ReadWrite	UIntegerT	1	filter iir lp mode	Activate/deactivate filter and selection of filter characteristics
0x0071	0x00	ReadWrite	Float32T	4	filter iir lp cutoff Hz	Input cut-off frequency

### 8.3.8 Limit value switch (limit switches, switching signals)

There are two limit value switches that are executed as per the IO-Link smart sensor profile specification ([smart sensor profile] B.8.3 quantity detection):

- Switch 1: SSC.1 (switching signal channel 1)
- Switch 2: SSC.2 (switching signal channel 2)

Both switches can be inverted, which means you can decide whether a switch bit is issued as "low" or "high" from a specific force. In addition, a hysteresis can be assigned to both limit value switches so that there is another switching process if the force is smaller (or greater) than the switching point.

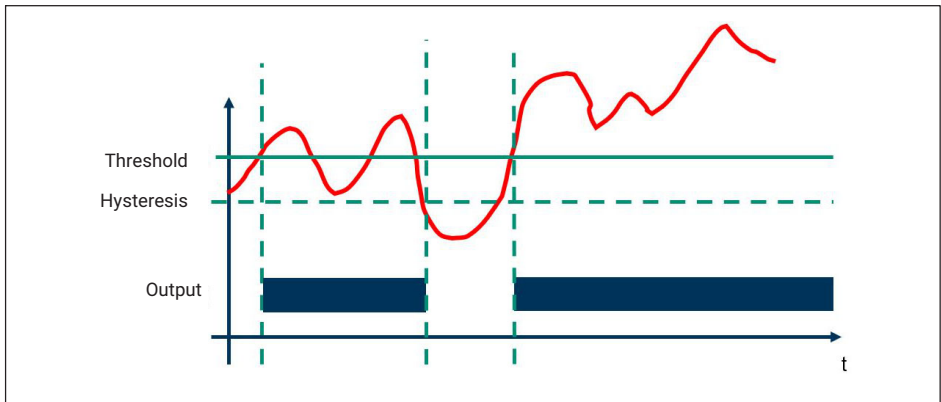


Fig. 8.3 Graphic overview of the limit value switch function

### Setting the limit value switch

- ▶ In the "Config Mode" field, you must first select whether
  - The limit value switch is inactive (deactivated)
  - A single pulsating force (and hysteresis) is set (single point)
  - A switching point and a release position should be specified (the difference is then the hysteresis)
  - Range monitoring is required that will issue a signal if the value is below or above the force range (window mode)

The following applies to all of the operating modes:

- Increasing compressive forces are rising forces
- Decreasing tensile forces are rising forces
- Decreasing compressive forces are falling forces
- Increasing tensile forces are falling forces

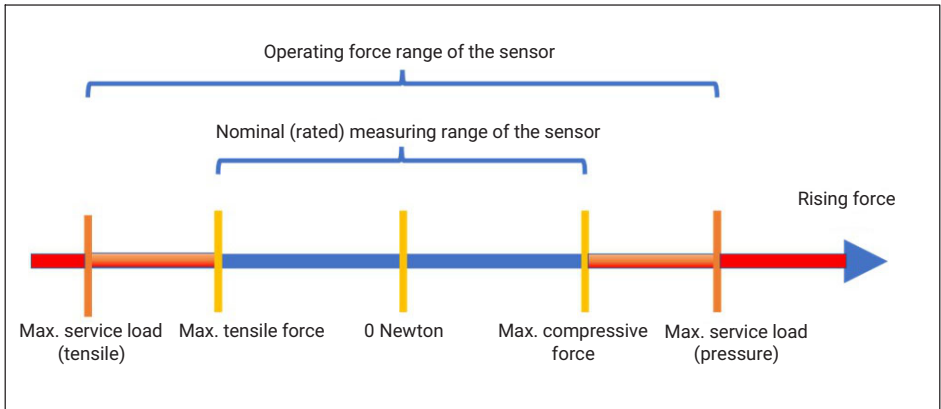


Fig. 8.4 Graphic overview of the operating force range, nominal (rated) range of a sensor, and definition of the tensile/compressive force range

### Single point (threshold & hysteresis)

The switching point or threshold limit value is specified in the following.

In the event that the switch should be triggered for a **rising force**:

- ▶ Switch the logic to "High active"
- ▶ In the field "SP1", enter the force (threshold) at which the switch should be triggered
- ▶ In "Config Hys" enter a force value that represents the difference within which the switch will remain active even if the value is below the threshold

In the event that the switch should be triggered for a **falling force**:

- ▶ Switch the logic to "Low active"
- ▶ Enter the following force in the field "SP1": Threshold minus hysteresis. The hysteresis is the force value that represents the difference within which the switch will remain active even if the force is above the value entered in field SP1.
- ▶ Enter the hysteresis in "Config Hys".

The switch is "High" in both cases if the limit value switch is triggered. You can invert the logic by switching from High Active to Low Active.

### Two point (switching point and release position)

In the event that the switch should be triggered for a **rising force**:

- ▶ Switch the logic to "High active"
- ▶ Set the field "SP1" to the higher force (in the logic defined above)
- ▶ If you would like the new switchover for a falling force to occur at a lower force value, then enter this lower force value in field SP2. If you set the same for both values, the switch will work without the hysteresis.

In the event that the switch should be triggered for a **falling** force

- ▶ Switch the logic to "Low active"
- ▶ Set the field "SP1" to the higher force (in the logic defined above)
- ▶ If you would like the new switchover for a rising force to occur at a lower force value, then enter this lower force value in field SP2. If you set the same for both values, the switch will work without the hysteresis.

## Window mode

The range can be monitored in window mode.

- Enter both of the forces that define the switching points, and SP1 and SP2. The order is irrelevant.
- If required, you can enter a hysteresis which will then be identical for the upper and lower switching point.
- You can invert the output by selecting "High Active" or "Low Active". If "High Active" is selected, the output is logical 1 if the value is in the window range.

The state of the limit value switch can be issued via two digital outputs in the form of a 24 V switching signal in the electronics.

Index (hex)	Sub-index (hex)	Permissions	Data Type	Data Size bytes	Array Length	Description	Description
0x003C	0x00	ReadWrite	UIntegerT	1	8	SSC1_1 Params (SP1, SP2)	Access to all of the parameters for switching channel 1
0x003C	0x01	ReadWrite	Float32T	4		SSC1_1 SP1	Switching point for switching channel 1
0x003C	0x02	ReadWrite	Float32T	4		SSC1_1 SP2	Second switching point for switching channel 2
0x003D	0x00	ReadWrite	UIntegerT	1	6	SSC1_1 Config (logic, mode, hyst)	Access to all of the configurations for switching channel 1

Index (hex)	Sub-index (hex)	Per-missions	Data Type	Data Size bytes	Array Length	Des-cription	Description
0x003D	0x01	ReadWrite	UIntegerT	1		SSC1_1 logic	Inverted/not inverted
0x003D	0x02	ReadWrite	UIntegerT	1		SSC1_1 mode	Operating mode (e.g., two point)
0x003D	0x03	ReadWrite	Float32T	4		SSC1_1 hyst	Hysteresis input
0x003E	0x00	ReadWrite	UIntegerT	1	8	SSC1_2 Params (SP1, SP2)	Access to all of the parameters for switching channel 2
0x003E	0x01	ReadWrite	Float32T	4		SSC1_2 SP1	Switching point for switching channel 2
0x003E	0x02	ReadWrite	Float32T	4		SSC1_2 SP2	Second switching point for switching channel 2
0x003F	0x00	ReadWrite	UIntegerT	1	6	SSC1_2 Config (logic, mode, hyst)	Access to all of the configurations for switching channel 2
0x003F	0x01	ReadWrite	UIntegerT	1		SSC1_2 logic	Inverted/not inverted
0x003F	0x02	ReadWrite	UIntegerT	1		SSC1_2 mode	Operating mode (e.g., two point)
0x003F	0x03	ReadWrite	Float32T	4		SSC1_2 hyst	Hysteresis input

Connection DO (pin 2, see above) is always available. Connection C/Q / SIO (pin 4, see above) can only be used as a digital output if an IO-Link data transfer is not required at the same time.

You can also teach-in the switching points, as described for the smart sensor profile. For this process, the menu contains the "Teach" sub-item.

First of all, select which switching signal channel you would like to teach in. By activating "Teach SP1" or "Teach SP2", you can then specify the switching point with the force that is currently being measured.

For the single point method, you only have to teach-in SP1, the hysteresis is entered (see above).

Both switching points must be taught-in when using the two point or Windows function. You can enter a hysteresis for the range monitoring (window).

Index (hex)	Sub-index (hex)	Permissions	Data Type	Data Size bytes	Description	Description
0x003A	0x00	ReadWrite	UInteger-T	1	Teach Select	Selection of the switching channel
0x003B	0x00	Read		1	Result (success or error)	Confirmation that the teach process is OK
0x0002	0x00	Write	Uinteger	1	0x41=teach SP1; 0x42 = Teach SP2	Triggering the tech process

### 8.3.9 Assignment of digital switching outputs ("Digital IO")

You can issue the limit value switch with the IO-Link process data and as a digital IO with a switching voltage of 24 V (max. 50 mA). If you would like to do this, you must assign a limit switch to the digital switching outputs. To do so, open the "Digital IO" menu

- "DI/DO pin function" determines which limit value switch is assigned to PIN 2 of the connector. This digital output is always available when the device is in operation.
- "C/Q pin function in SIO-mode" determines which limit value is assigned to PIN 4 of the connector when the device is operated in SIO mode. SIO mode means that the force measurement chain is not connected to an IO-Link master or that the IO-Link master is being operated in SIO mode. The force measurement chain of PIN 4 is automatically switched from data transfer to the digital switching output. Please note that in this operating state there are two switching outputs, but that no other measurement data or process data are transferred.

Index (hex)	Sub-index (hex)	Permissions	Data Type	Data Size bytes	Description	Description
0x0DAD	0x00	ReadWrite	UIntegerT	1	DO/DI (I/Q) pin mode	Selection of the switching channel that should be assigned to PIN 2
0x0DAE	0x00	ReadWrite	UIntegerT	1	C/Q SIO pin mode	Selection of the switching channel that should be assigned to PIN 4

### 8.3.10 Statistical functions (statistics)

It is important to note, that the internal sample rate is used to evaluate the signal of the following functions. As the electronics work with 40,000 measurement points, even very short peak loads are recorded. Please note, any low-pass filters that you set, can quickly suppress peak loads which will then not be recorded in the maximum value buffer.

All of the following functions are executed on a continuous basis and are not saved permanently. This means that a power failure will be the same as a reset.

#### Maximum force, minimum force, peak-to-peak memory

The following functions do not save the values permanently.

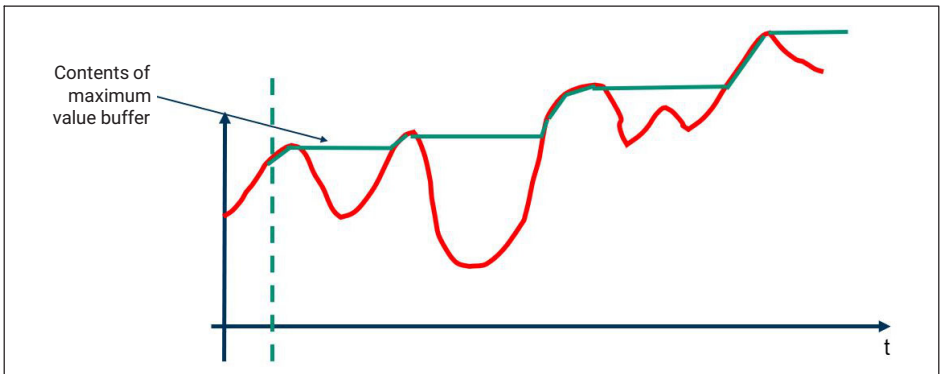


Fig. 8.5 Function of maximum value buffer



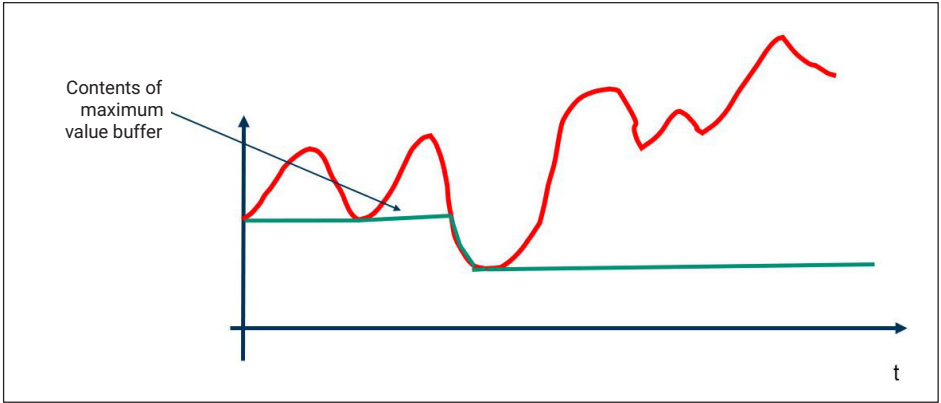


Fig. 8.6 Function of minimum value buffer

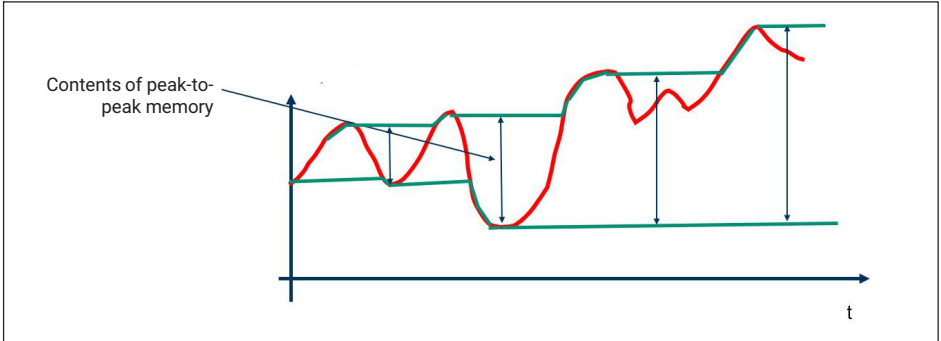


Fig. 8.7 Function of peak-to-peak memory

The arithmetic mean, standard deviation, and number of measurement values since the last reset are recorded on a continuous basis (in the internal measurement data rate).

All of the values can be reset using a joint reset command (by writing system command code 209 in index 0x0002, see section "System Command").

Index (hex)	Sub-index (hex)	Permissions	Data Type	Data Size bytes	Description	Description
0x0D49	0x00	ReadOnly	UInteger-T	8	statistic1 n	Number of measurement values since the last reset
0x0D4A	0x00	ReadOnly	Float32T	4	statistic1 last_value	The current measurement value as a sample that is used as an entry for the statistical calculations.
0x0D4B	0x00	ReadOnly	Float32T	4	statistic1 min_value	Minimum value
0x0D4C	0x00	ReadOnly	Float32T	4	statistic1 max_value	Maximum value
0x0D4D	0x00	ReadOnly	Float32T	4	statistic1 pp_value	Peak-to-peak value
0x0D4E	0x00	ReadOnly	Float32T	4	statistic1 mean_value	Mean value
0x0D4F	0x00	ReadOnly	Float32T	4	statistic1 stddev_value	Standard deviation

Index (hex)	Sub-index (hex)	Permissions	Data Type	Data Size bytes	Description	Value (decimal)	Description
0x0002	0x00	Write	UINT	1	Statistics reset	209	Restart recording of statistical values

### 8.3.11 Alarms (IO-LINK events)

The electronics monitor the sensor and compare the mechanical and thermal stresses on a continuous basis against the limit values of the force sensor. In the event of thermal monitoring, these are also compared to the limit values of the electronic components.

The electronics uses a very high sample rate to evaluate the mechanical stress. Even very short maximum forces are recorded and a message will be issued if the limit values are exceeded. As the output of measurement values via the digital data interface/IO-Link connection is completed at a lower sample rate, it may be the case that you cannot find a force value, that was registered as a force overshoot, in the measurement data.

Only the measurement values that have not been set to zero and have been filtered on a frequent basis will be used to evaluate the exceeded nominal (rated) force/operating force. This means that setting them to zero has no impact on the monitoring functions.

An IO-Link event will always be generated if the parameters explained below, are exceeded. The master transfers the event to the fieldbus level for further analysis.

You can deactivate some of the alarms (e.g., if you are operating the measurement chain within the operating force). Alarms, that can be deactivated, are referred to as "Warning" alarms in the following. Alarms, that you cannot deactivate, are known as an "Error". "Errors" and "Warnings" remain active for as long as the state is outside the permissible range (e.g., electronics operating outside the temperature range). The "Errors" and "Warnings" will disappear as soon as this state changes to indicate that the device is working in the permissible range again. The messages are only displayed briefly.

Trigger	Type of event	Note	EVENT ID	Description
Temperature error	Error		16384	0x4000 /><!-- "Temperature fault" -->0x4000 Temperature fault – Overload Failure
Operating above the permissible temperature range of the inline amplifier	Warning		16912	0x4210 /><!-- "Temperature overrun" -->0x4210 Device temperature overrun – Clear source of heat Out-of-Specification
Operating below the permissible temperature range of the inline amplifier	Warning		16928	0x4220 /><!-- "Temperature underrun" -->0x4220 Device temperature underrun – Insulate Device Out-of-Specification
Parameter error	Error		25376	0x6320 /><!-- "Parameter error" -->0x6320 Parameter error – Check data sheet and values Failure
Nominal (rated) force exceeded	Warning		6145	0x1801 type="Warning">Nominal Limit Exceeded – Maximum nominal push force was overrun

Trigger	Type of event	Note	EVENT ID	Description
Nominal (rated) force undershot	Warning	Please note that on tensile/compressive force sensors (e.g., U9C) this event is triggered if the nominal (rated) range of the tensile force is not observed.	6146	0x1802 type="Warning">Nominal Limit Exceeded – Maximum nominal pull force was overrun
Operating force range exceeded	Warning		6147	0x1803 type="Warning">Usage Limit Exceeded – Maximum usage push force was overrun
Operating force range undershot	Warning	Please note that on tensile/compressive force sensors (e.g., U9C) this event is triggered if the operating range of the tensile force is not observed.	6148	0x1804 type="Warning">Usage Limit Exceeded – Maximum usage pull force was overrun
Permissible oscillation stress exceeded, 10% of dynamic overload reserve reached.	Message		6161	0x1811 type="Notification">10% Oscillation Bandwidth – The sensor reached 10% of its rated oscillation strength
Permissible oscillation stress exceeded, 20% of dynamic overload reserve reached.	Message		6162	0x1812 type="Notification">20% Oscillation Bandwidth – The sensor reached 20% of its rated oscillation strength

Trigger	Type of event	Note	EVENT ID	Description
Permissible oscillation stress exceeded, 30% of dynamic overload reserve reached.	Message		6163	0x1813 type="Notification">30% Oscillation Bandwidth – The sensor reached 30% of its rated oscillation strength
Permissible oscillation stress exceeded, 40% of dynamic overload reserve reached.	Message		6164	0x1814 type="Notification">40% Oscillation Bandwidth – The sensor reached 40% of its rated oscillation strength
Permissible oscillation stress exceeded, 50% of dynamic overload reserve reached.	Message		6165	0x1815 type="Notification">50% Oscillation Bandwidth – The sensor reached 50% of its rated oscillation strength
Permissible oscillation stress exceeded, 60% of dynamic overload reserve reached.	Message		6166	0x1816 type="Notification">60% Oscillation Bandwidth – The sensor reached 60% of its rated oscillation strength
Permissible oscillation stress exceeded, 70% of dynamic overload reserve reached.	Message		6167	0x1817 type="Notification">70% Oscillation Bandwidth – The sensor reached 70% of its rated oscillation strength
Permissible oscillation stress exceeded, 80% of dynamic overload reserve reached.	Message		6168	0x1818 type="Notification">80% Oscillation Bandwidth – The sensor reached 80% of its rated oscillation strength

Trigger	Type of event	Note	EVENT ID	Description
Permissible oscillation stress exceeded, 90% of dynamic overload reserve reached.	Message		6169	0x1819 type="Notification">90% Oscillation Bandwidth – The sensor reached 90% of its rated oscillation strength
Permissible oscillation stress exceeded and the dynamic overload reserve has been used. There is a risk of the sensor failing.	Warning		6170	0x1820 type="Warning">100% Oscillation Bandwidth – The sensor reached 100% of its rated oscillation strength

Index (hex)	Sub-index (hex)	Permissions	Data Type	Data Size bytes	Description	Description
0x0080	0x00	ReadOnly	Float32T	4	Max. nominal (rated) force (pressure) of the force transducer	Nominal capacity
0x0081	0x00	ReadOnly	Float32T	4	Max. nominal (rated) force of the force transducer	Nominal lower force limit
0x0082	0x00	ReadOnly	Float32T	4	Maximum operating force (pressure) of the force transducer	Max. operating force
0x0083	0x00	ReadOnly	Float32T	4	Minimum operating force (tensile) of the force transducer	Min. operating force
0x0056	0x00	ReadOnly	Float32T	4	Upper limit value for the temperature of the electronics	Board Temp Upper Limit in degC

Index (hex)	Sub-index (hex)	Per-missions	Data Type	Data Size bytes	Description	Description
0x0057	0x00	ReadOnly	Float32T	4	Hysteresis for the upper limit values of the temperatures	Board Temp Upper Hysteresis in degC
0x0058	0x00	ReadOnly	Float32T	4	Lower limit value for the temperature of the electronics	Board Temp Lower Limit in degC
0x0059	0x00	ReadOnly	Float32T	4	Hysteresis for the lower limit values of the temperatures	Board Temp Lower Hysteresis in degC
0x005E	0x00	ReadOnly	Float32T	4	Upper limit value for the temperature of the micro-processor	Core Temp Upper Limit in degC
0x005F	0x00	ReadOnly	Float32T	4	Lower limit value for the temperature of the micro-processor	Core Temp Lower Limit in degC
0x005A	0x00	ReadOnly	Float32T	4	Upper limit for the nominal temperature of the force transducer	Sensor Temp Nominal Upper Limit in degC
0x005B	0x00	ReadOnly	Float32T	4	Lower limit for the nominal temperature of the force transducer	Sensor Temp Nominal Lower Limit in degC
0x005C	0x00	ReadOnly	Float32T	4	Upper limit for the operating temperature of the force transducer	Sensor Temp Usage Upper Limit in degC
0x005D	0x00	ReadOnly	Float32T	4	Lower limit for the operating temperature of the force transducer	Sensor Temp Usage Lower Limit in degC

### 8.3.12 Additional information ("Diagnostics")

You can read out additional measurement values in this menu item:

- Current supply voltage
- Processor temperature
- PCB temperature
- Oscillation width score (see below)

The oscillation width score is specified in % and provides a prediction about how long the sensor will withstand the specified dynamic amplitude load.

If you operate the sensor within the permissible (permanent) oscillation width, then this score will not be increased. If the peak-to-peak force value for your application exceeds the specified oscillation width, then the system calculates an estimated value that specifies how long the sensor can continue to operate under the given load. Once 100% is reached, it can be assumed that damage will be caused, making it necessary to replace the sensor.



#### Tip

Use a sensor with a higher nominal (rated) force if you notice that the score changes or you receive an IO-Link EVENT with a corresponding warning.

Index (hex)	Sub-index (hex)	Permissions	Data Type	Data Size bytes	Description	Description
0x0088	0x00	ReadOnly	Float32T	4	Oscillation width of the sensor	Relative oscillation width (peak-to-peak)
0x0303	0x00	ReadOnly	UINT64	8	Number of overloads of the oscillation width	Oscillation bandwidth score

You will still have access to statistical information that is not permanently saved.

- Number of IO-LINK connection interruptions (IO-Link reconnections)
- Operating hours since startup (device uptime)

The following information is saved permanently and can be read out. You cannot change or delete this data.

- Number of reboots (reboot counter). It can be set to zero to monitor how frequently the measurement chain is restarted.
- The largest measured compressive force
- The largest measured tensile force



- Number of IO-Link events "Oscillation width exceeded"
- Highest measured temperature of the PCB
- Lowest measured temperature of the PCB

Index (hex)	Sub-index (hex)	Permissions	Data Type	Data Size bytes	Description	Description
0x00FD	0x00	ReadOnly	UIntegerT	2	IO-Link reconnect counter	Number of IO-LINK connection interruptions since start-up
0x1215	0x00	ReadOnly	Float32T	4	Operating hours since startup	In hours, as floating-comma number
0x1214	0x00	Read and Write	UInteger32T	4	Number of restarts of the measurement chain	Can be set to zero by the user.
0x0053	0x00	ReadOnly	Float32T	4	Current temperature of the electronics	Board Temp in degC
0x0055	0x00	ReadOnly	Float32T	4	Current temperature of the microprocessor	Core Temp in degC
0x0075	0x00	ReadOnly	Float32T	4	Current supply voltage	Supply Voltage in V

## Reset functions

Four reset functions are available. All of the reset functions are triggered by a corresponding system command (see section "System Command").

### 1. Device Reset

The sensor restarts. Please note that the minimum and maximum values, as well as all of the statistical information (peak-peak) will be lost. All of the other settings and parameters are retained.

### 2. Application reset

The sensor does not restart. The following parameters are reset to the factory settings or zero:

- Filter settings

- Switching points and hysteresis of the limit value switches
- Teach function of the limit value switches
- Zero settings
- Any selected conversions to another unit (measurement is completed in N again)
- Minimum and maximum values, as well as all of the statistical information (peak-peak) will be lost.
- Settings for digital inputs and outputs
- Deactivation of the nominal overload warning is activated

### 3. Restore factory reset

The sensor does not restart. In addition to the parameters specified in the application reset, the entries in the fields "Application Tag", "Function Tag", and "Location Tag" are reset.

Any linearization that may have been entered in the sensor (calibration certificate) is lost.

### 4. Back to box

All of the parameters are lost. Any force overshoots will continue to be saved. The sensor will return to the delivery condition. Any linearization that may have been entered in the sensor (calibration certificate) is lost.

## System commands

The IO-Link standard defines some of the "System Commands". Further application-specific commands are added to the standard commands by the electronics.

Index (hex)	Sub-index (hex)	Permissions	Data Type	Data Size bytes	Description
0x0002	0	Write Only	UINT8	1	System Command

A command is triggered by writing the assigned code on the "System Command" variable. The electronics supports the following commands:

Code (decimal)	Function	See section
65	Teach switching point limit value switch 1	7.2.6 Limit value switch
66	Teach switching point limit value switch 2	7.2.6 Limit value switch
128	Device Reset	Reset functions
129	Application reset	Reset functions

Code (decimal)	Function	See section
130	Restore factory settings	Reset functions
131	Back-to-box	Reset functions
208	Setting the user-defined zero point offset to zero	7.2.4.1 Zero setting
209	Restart recording of statistical values	7.2.8 Statistical functions

### Sources

[IO-Link] IO-Link Interface and System, Specification, Version 1.1.3 June 2019, <https://io-link.com/de/Download/Download.php>

[Smart Sensor Profile] IO-Link Profile Smart Sensors 2nd Edition, Specification, Version 1.1 September 2021, <https://io-link.com/de/Download/Download.php>

## 9 DIMENSIONS

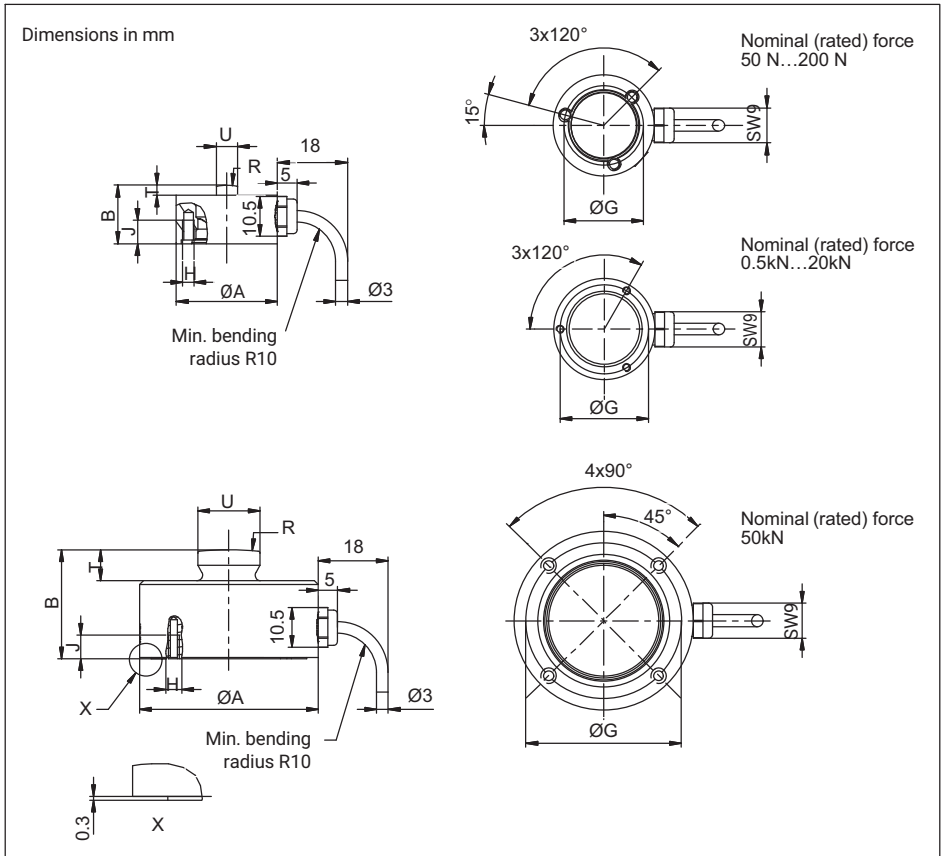


Fig. 9.1 Dimensions of C9C

Nominal (rated) force of C9C	A <sub>-0.1</sub>	B	G <sub>+/-0.1</sub>	H	J	R	T	U <sub>-0.1</sub>	X
	[mm]								
50 N - 200 N	26	15	20.5	3 x M3	6	20	2.5	5.5	10.5
0.5 kN - 20 kN	26	13	22.75	3 x M2	3.5	40	1	8	10.5
50 kN	46	28	40	4 x M4	6	80	8	16	10.5

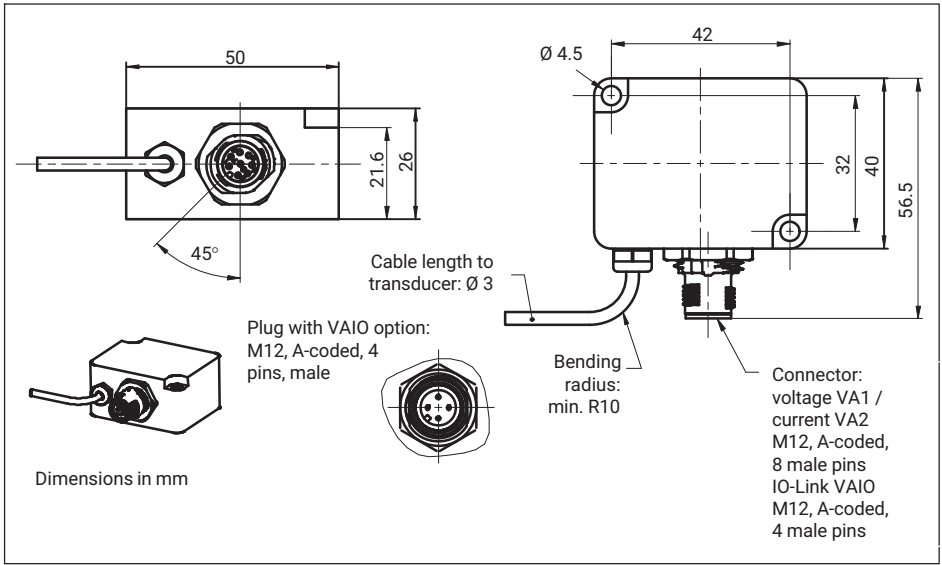


Fig. 9.2 Dimensions of inline amplifier module

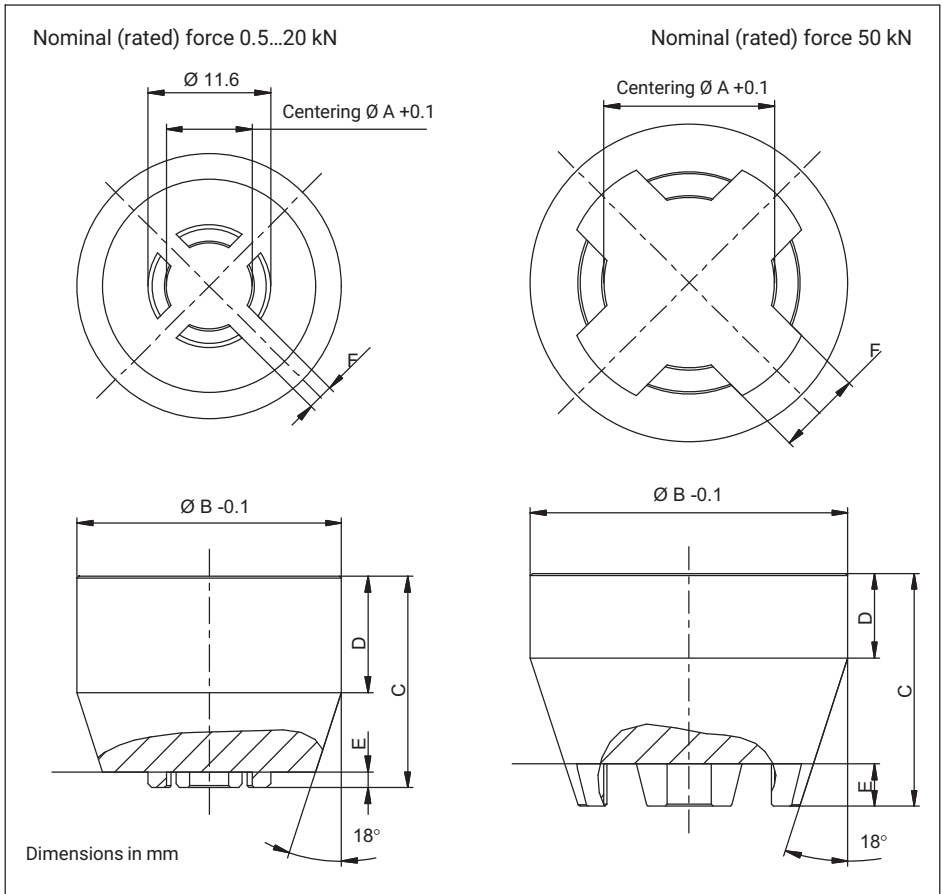


Fig. 9.3 Dimensions of EDO9

EDO9	Force range	φA	φ B	C	D	E	F
		[mm]					
1-EDO9/20kN	0.5 ... 20 kN	8.1	25	20	11	1.5	2.5
1-EDO9/50kN	From 50 kN	16.1	30	22	8	4	8

## 10 SPECIFICATIONS

### C9C force transducer

Nominal (rated) force	$F_{nom}$	N	50	100	200							
		kN				0.5	1	2	5	10	20	50
<b>Accuracy</b>												
<b>Accuracy class</b>			0.2									
<b>Relative reproducibility and repeatability errors in unchanged mounting position</b>	$b_{rg}$	%	< 0.2									
<b>Relative reversibility error</b>	$v$	%	< 0.2									
<b>Non-linearity</b>	$d_{lin}$	%	< 0.2									
<b>Relative creep</b>	$d_{crf+E}$	%	< 0.2				< 0.1					
<b>Temperature coefficient of sensitivity</b>												
In the nominal (rated) temperature range	$TC_S$	%/10K	< 0.2									
In the operating temperature range			< 0.50									
<b>Temperature coefficient of zero signal</b>												
In the nominal (rated) temperature range	$TC_0$	%/10K	< 0.2									
In the operating temperature range			< 0.50									
<b>Rated electrical output</b>												
<b>Nominal (rated) output</b>	$C_{nom}$	mV/V	1									
<b>Relative zero signal error</b>	$d_{s,0}$	mV/V	$\pm 0.2$									
<b>Sensitivity error</b>	$d_c$	%	< 1									
<b>Input resistance</b>	$R_e$	$\Omega$	250 - 400				300 - 450					
<b>Output resistance</b>	$R_a$	$\Omega$	200 - 400				100 - 450					

Nominal (rated) force	F <sub>nom</sub>	N	50	100	200							
		kN				0.5	1	2	5	10	20	50
Insulation resistance	R <sub>is</sub>	Ω	> 1*10 <sup>9</sup>									
Operating range of the excitation voltage	B <sub>u,gt</sub>	V	0.5...12									
Reference excitation voltage	U <sub>ref</sub>	V	5									
Connection			4-wire circuit									
<b>Temperature</b>												
Reference temperature	t <sub>ref</sub>	°C	23									
Nominal (rated) temperature range	B <sub>t,nom</sub>	°C	-10...+70									
Operating temperature range	B <sub>t,g</sub>	°C	-30...+85									
Storage temperature range	B <sub>t,S</sub>	°C	-30...+85									
<b>Characteristic mechanical quantities</b>												
Maximum operating force	F <sub>G</sub>	% of F <sub>nom</sub>	200			120						
Force limit	F <sub>L</sub>	% of F <sub>nom</sub>	> 200			> 150						
Breaking force	F <sub>B</sub>	% of F <sub>nom</sub>	> 400									
Permissible eccentricity when loaded with nominal (rated) force	e <sub>g</sub>	mm	2.6	2.5	2.5	3.5	2.6	3.2	1.8	2.0	0.8	2.5
Nominal (rated) displacement ±15%	S <sub>nom</sub>	mm	0.009			0.015	0.019	0.020	0.025	0.040	0.055	0.075
Natural frequency	f <sub>G</sub>	kHz	7.3	10	15.7	3.5	5	7	13	15.1	20	12
Permissible oscillation stress	F <sub>rb</sub>	% of F <sub>nom</sub>	80									70
<b>Maximum impact load to ICE 60068-2-6</b>												
Number			1,000									
Duration		ms	3									
Acceleration		m/s <sup>2</sup>	1,000									



Nominal (rated) force	F <sub>nom</sub>	N	50	100	200							
		kN				0.5	1	2	5	10	20	50
<b>Vibrational stress as per IEC 60068-2-27</b>												
Frequency range		Hz	5 ... 65									
Duration		min	30									
Acceleration		m/s <sup>2</sup>	150									
<b>General information</b>												
Degree of protection as per EN 60529			IP67									
Spring element material			Steel									
Measuring point protection			Hermetically welded									
Cable			Four-wire circuit, PUR insulation									
Cable length	m		1.5 m; 3 m; 5 m; 6 m; 7 m; 12 m									
Weight	g		55			65						260

### Inline amplifier VA1, VA2

Module type		VA1	VA2
<b>Accuracy</b>			
Accuracy class	%	0.15	
Effect of temperature on amplification	%	0.10	
Relative linearity error	%	0.01	
Effect of temperature on zero point	%	0.15	
<b>Rated electrical output</b>			
Output signal		0 ... 10 V	4 ... 20 mA
Nominal (rated) output		10 V	16mA
Sensitivity tolerance		± 0.1 V	± 0.16 mA
Zero signal		0 V	4mA
Output signal range		-0.3 ... 11 V	3 ... 21 mA
Cut-off frequency (-3 dB)	kHz	2	
Supply voltage	V	19 ... 30	
Nominal (rated) voltage	V	24	

Module type		VA1	VA2
Maximum current consumption	mA	15	30
<b>Temperature</b>			
Nominal (rated) temperature range	°C	-10...+50	
Operating temperature range	°C	-20...+60	
Storage temperature range	°C	-25...+85	
Reference temperature	°C	23	
<b>Maximum impact load to ICE 60068-2-6</b>			
Number		1,000	
Duration	ms	3	
Acceleration	m/s <sup>2</sup>	1,000	
<b>Vibrational stress as per IEC 60068-2-27</b>			
Frequency range	Hz	5 ... 65	
Duration	min	30	
Acceleration	m/s <sup>2</sup>	150	
<b>General information</b>			
Housing material		Aluminum	
Weight without cable	g	125	
Maximum cable length for supply voltage/output signal	m	30	
Degree of protection as per EN 60529		IP67	

### Inline amplifier VA10

Module type		VA10
<b>Accuracy</b>		
Accuracy class		0.01
Effect of temperature on amplification	%/10K	0.01
Effect of temperature on zero point	%/10K	0.01

Module type		VAIO
<b>Rated electrical output</b>		
<b>Output signal; interface</b>		COM3, as per IO-Link standard, class A
<b>Min. cycle (max. output rate)</b>	ms	0.9
<b>Sample rate (internal)</b>	S/s	40000
<b>Cut-off frequency (-3 dB)</b>	kHz	4
<b>Reference supply voltage</b>	V	24
<b>Supply voltage range</b>	V	19 - 30
<b>Max. power consumption</b>	mW	3200
<b>Noise</b>	ppm of nominal (rated) force	With 1 Hz Bessel filter: 25 With 10 Hz Bessel filter: 63 With 100 Hz Bessel filter: 195 With 200 Hz Bessel filter: 275 No filter: 3020
<b>Filter</b>		
<b>Low-pass filter</b>		Infinitely adjustable cut-off frequency, Bessel or Butterworth characteristics, 6th order
<b>Device functions</b>		
<b>Limit value switches</b>		2 limit value switches. Invertible, adjustable hysteresis. Output via process data or digital output
<b>Digital IO</b>		After IO-Link smart sensor profile, 1 permanently available digital output, 1 output can be assigned to the data output, no measurement is then possible
<b>Trailing pointer function</b>		Yes
<b>Peak value memory</b>		Yes
<b>Peak-peak memory</b>		Yes
<b>Warning functions</b>		Warning about exceeding the nominal (rated) force/operating force; nominal (rated) temperature/operating temperature

Module type		VAIO
<b>Temperature</b>		
Nominal (rated) temperature range	°C	-10 ... +50
Operating temperature range	°C	-10 ... +60
Storage temperature range	°C	-25... +85
Reference temperature	°C	23
<b>Maximum impact load to ICE 60068-2-6</b>		
Number		1000
Duration	ms	3
Acceleration	m/s <sup>2</sup>	1000
<b>Maximum vibrational stress as per IEC 60068-2-27</b>		
Frequency range	Hz	5 ... 65
Duration	min	30
Acceleration	m/s <sup>2</sup>	150

## 10.1 Versions and ordering numbers

Code	Measuring range	Ordering number
<b>050 N</b>	50 N	1-C9C/50 N
<b>100 N</b>	100 N	1-C9C/100 N
<b>200 N</b>	200 N	1-C9C/200 N
<b>00K5</b>	0.5 kN	1-C9C/0.5 KN
<b>01k0</b>	1 kN	1-C9C/1 KN
<b>02k0</b>	2 kN	1-C9C/2 kN
<b>05k0</b>	5 kN	1-C9C/5 kN
<b>10k0</b>	10 kN	1-C9C/10 KN
<b>20k0</b>	20 kN	1-C9C/20 KN
<b>50k0</b>	50 kN	1-C9C/50 KN

The ordering numbers shown in gray are preferred types and can be delivered rapidly. All of the force transducers with a 1.5 m cable, open ends, and without TEDS. The ordering number for the preferred types is 1-C9C... The ordering number for customer-specific designs is K-C9C.

The ordering number example **K-C9C-05k0-03m0-VAIO-S-IO01** below is a: C9C, 5 kN nominal (rated) force, with 3 m cable, inline amplifier with IO-Link output

Cable length	Electrical connection	Transducer identification	FW version
1.5 m <b>01m5</b>	Free ends <b>Y</b>	With TEDS <b>T</b>	No firmware <b>N</b>
3 m <b>03m0</b>	15-pin Sub-D connector <b>F</b>	Without TEDS <b>S</b>	IO 1.2.0 <b>IO01</b>
5 m <b>05m0</b>	Male connector MS3106PEMV <b>N</b>		
6 m <b>06m0</b>	15-pin Sub-HD connector <b>Q</b>		
7 m <b>07m0</b>	With inline amplifier 0...10 V <b>VA1</b>		
12 m <b>12m0</b>	With inline amplifier 4...20 mA <b>VA2</b>		
	With inline amplifier IO-Link <b>VAIO</b>		

<b>K-C9C-</b>	<b>05k0</b>	<b>03m0</b>	<b>VAIO</b>	<b>S</b>	<b>IO01</b>
---------------	-------------	-------------	-------------	----------	-------------

All cable lengths can be combined with all plugs.



## Information

TEDS can only be ordered in conjunction with a plug option. It is not possible to combine TEDS and free cable ends.

Versions with inline amplifiers (VA1, VA1 and VAIO) can only be combined with cable lengths of 1.5 m and 3 m; TEDS is not available for these measurement chains.

ENGLISH

DEUTSCH

## Montageanleitung



# C9C

# INHALTSVERZEICHNIS

---

<b>1</b>	<b>Sicherheitshinweise</b> .....	<b>4</b>
<b>2</b>	<b>Verwendete Kennzeichnungen</b> .....	<b>7</b>
2.1	In dieser Anleitung verwendete Kennzeichnungen .....	7
<b>3</b>	<b>Lieferumfang und Ausstattungsvarianten</b> .....	<b>8</b>
<b>4</b>	<b>Allgemeine Anwendungshinweise</b> .....	<b>10</b>
<b>5</b>	<b>Aufbau und Wirkungsweise</b> .....	<b>11</b>
5.1	Aufnehmer .....	11
5.2	DMS-Abdeckung .....	11
5.3	Inline Verstärker .....	11
<b>6</b>	<b>Bedingungen am Einsatzort</b> .....	<b>13</b>
6.1	Umgebungstemperatur .....	13
6.2	Feuchtigkeits- und Korrosionsschutz .....	13
6.3	Ablagerungen .....	13
<b>7</b>	<b>Mechanischer Einbau</b> .....	<b>15</b>
7.1	Wichtige Vorkehrungen beim Einbau .....	15
7.2	Allgemeine Einbaurichtlinien .....	15
<b>8</b>	<b>Elektrischer Anschluss</b> .....	<b>19</b>
8.1	Anschluss an Messverstärker ohne fest angeschlossenes Verstärkermodul .....	19
8.1.1	Allgemeine Hinweise und Verschaltung .....	19
8.1.2	Kabelverlängerung und Kabelkürzung .....	19
8.1.3	EMV-Schutz .....	20
8.1.4	Aufnehmer-Identifikation TEDS .....	20
8.2	Elektrischer Anschluss Messverstärker mit Verstärkermodul .....	21
8.2.1	Allgemeine Hinweise .....	21
8.2.2	Anschluss des Geräte mit 0-10 V und 4-20 mA Ausgangssignal .....	21
8.2.3	Betrieb des Inline-Verstärkers / Nullsetzen der Messkette .....	22
8.3	Inline Verstärkermodul VAIO .....	23
8.3.1	Funktionsweise .....	23
8.3.2	Elektrischer Anschluss und Montage des Inline Verstärkermoduls .....	24
8.3.3	Inbetriebnahme .....	25
8.3.4	Datenstruktur .....	25
8.3.5	Allgemeine Anzeigen .....	26
8.3.6	Menüpunkt "Identification" .....	27



8.3.7	Justage der Messkette ("Adjustment") .....	28
8.3.8	Grenzwertschalter (Limit Switches, Switching Signals) .....	34
8.3.9	Belegung der digitalen Schaltausgänge („Digital IO“) .....	39
8.3.10	Statische Funktionen (Statistics) .....	39
8.3.11	Alarmer (IO-LINK Events) .....	42
8.3.12	Zusatzinformationen („Diagnostics“) .....	47
<b>9</b>	<b>Abmessungen</b> .....	<b>51</b>
<b>10</b>	<b>Technische Daten</b> .....	<b>54</b>
10.1	Ausführungen und Bestellnummern .....	60

## **Bestimmungsgemäßer Gebrauch**

Die Kraftaufnehmer der Typenreihe C9C sind ausschließlich für die Messung statischer und dynamischer Druckkräfte im Rahmen der durch die technischen Daten spezifizierten Belastungsgrenzen konzipiert. Jeder andere Gebrauch ist nicht bestimmungsgemäß.

Zur Gewährleistung eines sicheren Betriebes sind die Vorschriften der Montageanleitung sowie die nachfolgenden Sicherheitsbestimmungen und die in den technischen Datenblättern mitgeteilten Daten unbedingt zu beachten. Zusätzlich sind die für den jeweiligen Anwendungsfall zu beachtenden Rechts- und Sicherheitsvorschriften zu beachten.

Die Kraftaufnehmer sind nicht für den Einsatz als Sicherheitsbauteile bestimmt. Bitte beachten Sie hierzu den Abschnitt „Zusätzliche Sicherheitsvorkehrungen“. Der einwandfreie und sichere Betrieb der Kraftaufnehmer setzt sachgemäßen Transport, fachgerechte Lagerung, Aufstellung und Montage sowie sorgfältige Bedienung voraus.

## **Belastbarkeitsgrenzen**

Beim Einsatz der Kraftaufnehmer sind die Angaben in den technischen Datenblättern unbedingt zu beachten. Insbesondere dürfen die jeweils angegebenen Maximalbelastungen keinesfalls überschritten werden. Nicht überschritten werden dürfen die in den technischen Datenblättern angegebenen

- Grenzkkräfte
- Grenzquerkräfte (eventuell durch Schiefteinleitung)
- Überschreitung der zulässigen Exzentrizität der Krafteinleitung
- Bruchkräfte
- Zulässigen dynamischen Belastungen
- Temperaturgrenzen
- Elektrische Belastungsgrenzen

Beachten Sie bei der Zusammenschaltung mehrerer Kraftaufnehmer, dass die Last-/Kraftverteilung nicht immer gleichmäßig ist.

## **Einsatz als Maschinenelemente**

Die Kraftaufnehmer können als Maschinenelemente eingesetzt werden. Bei dieser Verwendung ist zu beachten, dass die Kraftaufnehmer zu Gunsten einer hohen Messempfindlichkeit nicht mit den im Maschinenbau üblichen Sicherheitsfaktoren konstruiert worden sind. Beachten Sie hierzu den Abschnitt „Belastbarkeitsgrenzen“ und die technischen Daten.

## **Unfallverhütung**

Obwohl die angegebene Nennkraft im Zerstörungsbereich ein Mehrfaches vom Messbereichsendwert beträgt, müssen die einschlägigen Unfallverhütungsvorschriften der Berufsgenossenschaften berücksichtigt werden.

## **Zusätzliche Sicherheitsvorkehrungen**

Die Kraftaufnehmer können (als passive Aufnehmer oder als Messkette) keine (sicherheitsrelevanten) Abschaltungen vornehmen. Dafür bedarf es weiterer Komponenten und konstruktiver Vorkehrungen, für die der Errichter und Betreiber der Anlage Sorge zu tragen hat.

Wo bei Bruch oder Fehlfunktion der Kraftaufnehmer Menschen oder Sachen zu Schaden kommen können, müssen vom Anwender geeignete zusätzliche Sicherheitsvorkehrungen getroffen werden, die zumindest den einschlägigen Unfallverhütungsvorschriften genügen (z.B. automatische Notabschaltung, Überlastsicherung, Fanglaschen- oder ketten oder andere Absturzsicherungen).

Die das Messsignal verarbeitende Elektronik ist so zu gestalten, dass bei Ausfall des Messsignals keine Folgeschäden auftreten können.

## **Allgemeine Gefahren bei Nichtbeachten der Sicherheitshinweise**

Die Kraftaufnehmer entsprechen dem Stand der Technik und sind betriebssicher. Von den Aufnehmern können Gefahren ausgehen, wenn sie von ungeschultem Personal oder unsachgemäß montiert, aufgestellt, eingesetzt und bedient werden. Jede Person, die mit Aufstellung, Inbetriebnahme, Betrieb oder Reparatur eines Kraftaufnehmers beauftragt ist, muss die Montageanleitung und insbesondere die sicherheitstechnischen Hinweise gelesen und verstanden haben. Bei nicht bestimmungsgemäßen Gebrauch der Kraftaufnehmer, bei Nichtbeachtung der Montage- und Bedienungsanleitung, dieser Sicherheitshinweise oder einschlägiger Sicherheitsvorschriften (Unfallverhütungsvorschriften der BG) beim Umgang mit den Kraftaufnehmern, können die Kraftaufnehmer beschädigt oder zerstört werden. Insbesondere bei Überlasten kann es zum Bruch eines Kraftaufnehmers kommen. Durch den Bruch eines Kraftaufnehmers können Sachen oder Personen in der Umgebung des Kraftaufnehmers zu Schaden kommen.

Werden Kraftaufnehmer nicht Ihrer Bestimmung gemäß eingesetzt oder werden die Sicherheitshinweise oder die Vorgaben der Montage- oder Bedienungsanleitung außer Acht gelassen, kann es ferner zum Ausfall oder zu Fehlfunktionen der Kraftaufnehmer kommen, mit der Folge, dass (durch auf die Kraftaufnehmer einwirkende oder durch diese überwachte Lasten) Menschen oder Sachen zu Schaden kommen.

Der Leistungs- und Lieferumfang des Aufnehmers deckt nur einen Teilbereich der Kraftmesstechnik ab, da Messungen mit (resistiven) DMS-Sensoren eine elektronische Verstärkung voraussetzen und Messketten eine weitere Signalverarbeitung benötigen. Sicherheitstechnische Belange der Kraftmesstechnik sind grundsätzlich vom Anlagenplaner/Ausrüster/Betreiber so zu planen, zu realisieren und zu verantworten,

dass Restgefahren minimiert werden. Die jeweils existierenden nationalen und örtlichen Vorschriften sind zu beachten.

### **Umbauten und Veränderungen**

Der Aufnehmer darf ohne unsere ausdrückliche Zustimmung weder konstruktiv noch sicherheitstechnisch verändert werden. Jede Veränderung schließt eine Haftung unsererseits für daraus resultierende Schäden aus.

### **Wartung**

Kraftaufnehmer der Serie C9C sind wartungsfrei

### **Entsorgung**

Nicht mehr gebrauchsfähige Aufnehmer sind gemäß den nationalen und örtlichen Vorschriften für Umweltschutz und Rohstoffrückgewinnung getrennt vom regulären Hausmüll zu entsorgen.

Falls Sie weitere Informationen zur Entsorgung benötigen, wenden Sie sich bitte an die örtlichen Behörden oder an den Händler, bei dem Sie das Produkt erworben haben.

### **Qualifiziertes Personal**

Qualifiziertes Personal sind Personen, die mit Aufstellung, Montage, Inbetriebsetzung und Betrieb des Produktes vertraut sind und über die ihrer Tätigkeit entsprechenden Qualifikationen verfügen.

Dazu zählen Personen, die mindestens eine der drei Voraussetzungen erfüllen:

- Ihnen sind die Sicherheitskonzepte der Automatisierungstechnik bekannt und Sie sind als Projektpersonal damit vertraut
- Sie sind Bedienpersonal der Automatisierungsanlagen und im Umgang mit den Anlagen unterwiesen. Sie sind mit der Bedienung der in dieser Dokumentation beschriebenen Geräten und Technologien vertraut.
- Sie sind Inbetriebnehmer oder für den Service eingesetzt und haben eine Ausbildung absolviert, die Sie zur Reparatur der Automatisierungsanlagen befähigt. Außerdem haben Sie die Berechtigung, Stromkreise und Geräte gemäß den Normen der Sicherheitstechnik in Betrieb zu nehmen, zu erden und zu kennzeichnen.


Bei der Verwendung sind zusätzlich die für den jeweiligen Anwendungsfall erforderlichen Rechts- und Sicherheitsvorschriften zu beachten. Sinngemäß gilt dies auch bei Verwendung von Zubehör.

Der Kraftaufnehmer darf nur von qualifiziertem Personal ausschließlich entsprechend der technischen Daten in Zusammenhang mit den Sicherheitsbestimmungen und Vorschriften eingesetzt werden.

## 2 VERWENDETE KENNZEICHNUNGEN

### 2.1 In dieser Anleitung verwendete Kennzeichnungen

Wichtige Hinweise für Ihre Sicherheit sind besonders gekennzeichnet. Beachten Sie diese Hinweise unbedingt, um Unfälle und Sachschäden zu vermeiden.

Symbol	Bedeutung
 <b>WARNUNG</b>	Diese Kennzeichnung weist auf eine <i>mögliche</i> gefährliche Situation hin, die – wenn die Sicherheitsbestimmungen nicht beachtet werden – Tod oder schwere Körperverletzung zur Folge <i>haben kann</i> .
 <b>VORSICHT</b>	Diese Kennzeichnung weist auf eine <i>mögliche</i> gefährliche Situation hin, die – wenn die Sicherheitsbestimmungen nicht beachtet werden – leichte oder mittlere Körperverletzung zur Folge <i>haben kann</i> .
<b>Hinweis</b>	Diese Kennzeichnung weist auf eine Situation hin, die – wenn die Sicherheitsbestimmungen nicht beachtet werden – Sachschäden zur Folge <i>haben kann</i> .
 <b>Wichtig</b>	Diese Kennzeichnung weist auf <i>wichtige</i> Informationen zum Produkt oder zur Handhabung des Produktes hin.
 <b>Tipp</b>	Diese Kennzeichnung weist auf Anwendungstipps oder andere für Sie nützliche Informationen hin.
 <b>Information</b>	Diese Kennzeichnung weist auf Informationen zum Produkt oder zur Handhabung des Produktes hin.
<i>Hervorhebung</i> <i>Siehe ...</i>	Kursive Schrift kennzeichnet Hervorhebungen im Text und kennzeichnet Verweise auf Kapitel, Bilder oder externe Dokumente und Dateien.
	Dieses Symbol kennzeichnet einen Handlungsschritt.

### 3 LIEFERUMFANG UND AUSSTATTUNGSVARIANTEN

#### Lieferumfang

- Kraftaufnehmer C9C
- Montageanleitung C9C
- Prüfprotokoll

#### Zubehör (nicht im Lieferumfang enthalten)

Beschreibung	Bestellnummer
KAB168-5, PUR-Anschlusskabel mit M12-Buchse 8-polig, 5 m lang, Gegenseite mit freien Enden. Zur Verbindung des Verstärkermoduls mit nachfolgender Elektronik. Nicht geeignet zur Verwendung mit der IO-Link Schnittstelle.	1-KAB168-5
KAB168-20, PUR-Anschlusskabel mit M12-Buchse 8-polig, 20 m lang, Gegenseite mit freien Enden. Zur Verbindung des Verstärkermoduls mit nachfolgender Elektronik. Nicht geeignet zur Verwendung mit der IO-Link Schnittstelle.	1-KAB168-20
Druckstück EDO9/20kN; passend für Nennkräfte von 0,5 kN ... 20 kN	1-EDO9/20kN
Druckstück EDO9/50kN; passend für Nennkraft 50 kN	1-EDO9/50kN

#### Ausstattungsvarianten

Die Kraftaufnehmer sind in verschiedenen Ausführungen erhältlich. Folgende Optionen stehen zur Verfügung:

##### 1. Kabel

Die C9C ist in der Standardversion mit einem Kabel von 1,5 m ausgestattet. Sie können den Kraftaufnehmer auch mit den Kabellängen bestellen.

- 3 m
- 5 m
- 6 m
- 7 m
- 12 m

##### 2. Stecker/Elektrischer Anschluss

Auf Wunsch montieren wir einen der folgenden Stecker an die C9C:

- SUB-D Stecker, 15 polig: 15 poliger Stecker zum Anschluss an viele Messverstärkersysteme, z.B. MGCplus, Scout, MP85 u.v.m.
- SUB-HD Stecker: 15 poliger Stecker zum Anschluss an entsprechende Messverstärkersysteme, z.B. das HBK-System QuantumX

- Stecker 3106 PEMV (Greenline): Zum Anschluss an entsprechende Messverstärkersysteme, z.B. MGCplus mit AP03.
- Freie Enden: Auslieferung des Aufnehmers ohne Stecker.
- Der Kraftaufnehmer kann mit einer fest angeschlossenen Verstärkerelektronik bestellt werden, die das Ausgangssignal des Kraftaufnehmers in ein 0 ... 10 V Signal wandelt. Diese Option ist nur mit den Kabellängen 1,5 m und 3 m verfügbar
- Der Kraftaufnehmer kann ebenfalls mit einer fest angeschlossenen Verstärkerelektronik bestellt werden, die das Ausgangssignal des Kraftaufnehmers in ein 4 ... 20 mA Signal wandelt. Diese Option ist nur mit den Kabellängen 1,5 m und 3 m verfügbar.

### 3. TEDS

Sie können den Kraftaufnehmer mit einer Aufnehmeridentifikation („TEDS“) bestellen. TEDS (Transducer Electronic Data Sheet) ermöglicht Ihnen, die Aufnehmerdaten (Kennwerte) in einem Chip zu hinterlegen, der von dem angeschlossenen Messgerät (Entsprechender Messverstärker vorausgesetzt) ausgelesen wird. HBK beschreibt den TEDS bei Auslieferung, so dass keine Parametrierung des Verstärkers notwendig ist.

TEDS können an die C9C nur im Stecker montiert werden, deshalb kann die Ausführung „mit freien Kabelenden“ nicht mit TEDS ausgestattet werden. Die Versionen mit fest verbundener Verstärkerelektronik können nicht mit der Option TEDS verbunden werden.

## 4 ALLGEMEINE ANWENDUNGSHINWEISE

---

Die Kraftaufnehmer sind zur Messung von Druckkräften geeignet. Sie messen statische und dynamische Kräfte mit hoher Genauigkeit und verlangen daher umsichtige Handhabung. Besondere Aufmerksamkeit erfordert Transport und Einbau. Stöße und Stürze können zu permanenten Schäden am Aufnehmer führen.

Die Kraftaufnehmer der Serie C9C weisen eine ballige Krafteinleitung auf, in die die zu messenden Kräfte eingeleitet werden müssen.

Die Grenzen der zulässigen mechanischen, thermischen und elektrischen Belastungen sind im Kapitel 10, den technischen Daten, auf Seite 54 aufgeführt. Bitte beachten Sie diese unbedingt bei der Planung der Messanordnung, beim Einbau und letztendlich im Betrieb.



### 5.1 Aufnehmer

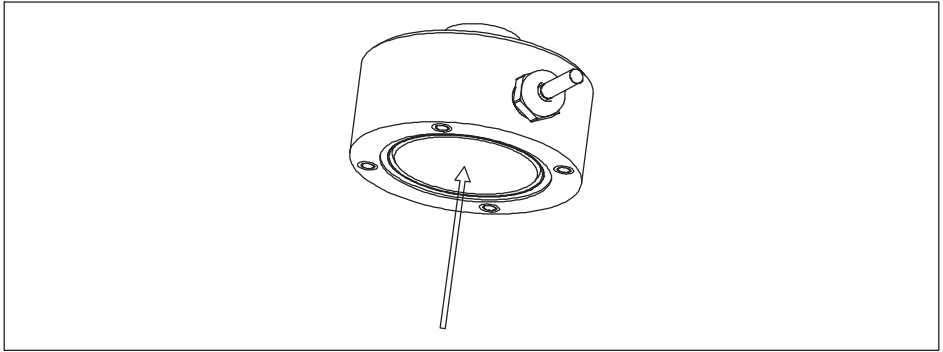
Der Messkörper ist ein Verformungskörper aus Stahl, auf dem Dehnungsmessstreifen (DMS) installiert sind. Unter Einfluss einer Kraft wird der Messkörper verformt, so dass an den Stellen, an denen die Dehnungsmessstreifen installiert sind eine Verformung entsteht. Die DMS sind so angebracht, dass unter Einfluss einer Kraft zwei gedehnt und zwei gestaucht werden. Die Dehnungsmessstreifen sind zu einer Wheatstonschen Brückenschaltung verdrahtet. Sie ändern proportional zur Längenänderung Ihren ohmschen Widerstand und verstimmen die Wheatstone-Brücke. Liegt eine Speisespannung an der Brücke an, liefert die Schaltung ein Ausgangssignal, das proportional zur Widerstandsänderung ist und somit auch proportional zur eingeleiteten Kraft. Die Anordnung der DMS ist so gewählt, dass parasitäre Kräfte und Momente (z.B. Querkräfte und Exzentrizitätseinflüsse) sowie Temperatureinflüsse weitestgehend kompensiert werden.

### 5.2 DMS-Abdeckung

Zum Schutz der DMS verfügen die Kraftaufnehmer über dünne Abdeckbleche, die am Boden und bei den Versionen mit einer Nennkraft von bis zu 200N auf der Oberseite eingeschweißt sind. Diese Methode bietet einen sehr guten Schutz gegen Umwelteinflüsse, so dass die C9C die Schutzklasse IP67 erreicht. Um die Schutzwirkung nicht zu gefährden, dürfen die Bleche keinesfalls entfernt oder beschädigt werden.

### 5.3 Inline Verstärker

Optional können die Sensoren mit einem Inline-Verstärker bestellt werden. Dieses Verstärkermodul versorgt die Brückenschaltung der Sensoren mit einer geeigneten Versorgungsspannung und wandelt das kleine Ausgangssignal der Kraftaufnehmer rauscharm in ein Spannungssignal 0 ... 10 V (VA1) oder in ein Stromsignal 4 ... 20 mA (VA2). Weiterhin können Sie den Kraftaufnehmer mit einem Inline Verstärker mit IO-Link-Schnittstelle bestellen (VAIO). Die Lieferung erfolgt dann als Messkette und das Prüfprotokoll beschreibt den Zusammenhang zwischen der Eingangsgröße Kraft und dem Ausgangssignal in V oder mA.



*Abb. 5.1 Die Unterseite des Aufnehmers ist mit einem dünnen Blech zum Schutz der Dehnungsmessstreifen ausgestattet*

Bei den Versionen mit Nennkräften bis 200 N befindet sich auch ein Blech an der Oberseite des Aufnehmers, das ebenfalls schonend zu behandeln ist.

Die Kraftaufnehmer der Serie C9C sind aus rostfreien Materialien hergestellt. Trotzdem ist es wichtig, den Aufnehmer vor Witterungseinflüssen zu schützen, z.B. Regen, Schnee, Eis und Salzwasser.

### 6.1 Umgebungstemperatur

Die Temperatureinflüsse auf das Nullsignal und auf den Kennwert sind kompensiert.

Um optimale Messergebnisse zu erzielen, müssen Sie den Nenntemperaturbereich einhalten. Die Kompensation des Temperatureinflusses auf den Nullpunkt ist mit großer Sorgfalt ausgeführt, jedoch können sich Temperaturgradienten negativ auf die Nullpunktstabilität auswirken. Deshalb sind konstante, oder sich langsam ändernde Temperaturen günstig. Ein Strahlungsschild und allseitige Wärmedämmung bewirken merkliche Verbesserungen. Sie dürfen jedoch keinen Kraftnebenschluss bilden, d.h. die geringfügige Bewegung des Kraftaufnehmers darf nicht behindert werden.

### 6.2 Feuchtigkeits- und Korrosionsschutz

Die Kraftaufnehmer sind hermetisch gekapselt und deshalb sehr unempfindlich gegen Feuchtigkeit. Die Aufnehmer erreichen die Schutzklasse IP67.

Trotz der sorgfältig ausgeführten Kapselung ist es sinnvoll, die Aufnehmer gegen dauerhafte Feuchtigkeitseinwirkung zu schützen.

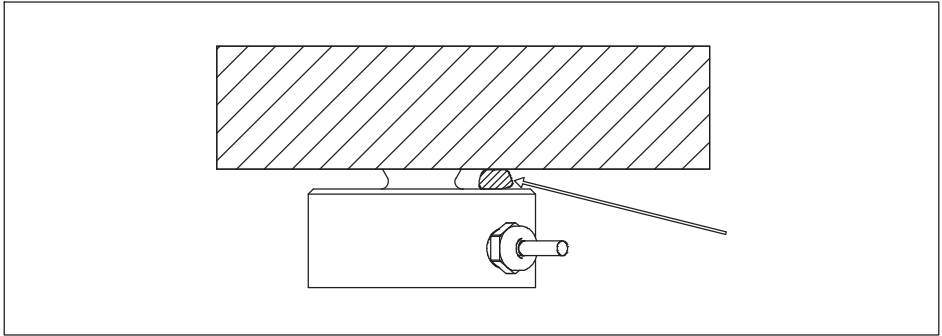
Die Kraftaufnehmer müssen gegen Chemikalien geschützt werden, die den Stahl angreifen.

Bei Kraftaufnehmern aus rostfreiem Stahl ist generell zu beachten, dass Säuren und alle Stoffe, die Ionen freisetzen, auch nichtrostende Stähle und deren Schweißnähte angreifen. Die dadurch auftretende Korrosion kann zum Ausfall des Kraftaufnehmers führen. In diesem Fall sind entsprechende Schutzmaßnahmen vorzusehen.

Das Gehäuse der Inline-Verstärker besteht aus Aluminium und erfüllt wie der Sensor die Anforderungen der Schutzart IP67. Wir empfehlen, das Verstärkergehäuse vor dauerhaftem Witterungseinfluss zu schützen.

### 6.3 Ablagerungen

Staub, Schmutz und andere Fremdkörper dürfen sich nicht so ansammeln, dass sie einen Teil der Messkraft um den Kraftaufnehmer herumleiten und dadurch den Messwert verfälschen. (Kraftnebenschluss) Die betreffenden Stellen sind in der *Abb. 6.1* markiert.



*Abb. 6.1 An der fein schraffierten Stelle dürfen sich keine Ablagerungen bilden, da diese zu einem Kraftnebschluss führen können.*

### 7.1 Wichtige Vorkehrungen beim Einbau

- Behandeln Sie den Aufnehmer schonend.
- Beachten Sie die Anforderungen an die Krafteinleitungsteile gemäß Kapitel 7.2.
- Es dürfen keine Schweißströme über den Aufnehmer fließen. Sollte diese Gefahr bestehen, so müssen Sie den Aufnehmer mit einer geeigneten niederohmigen Verbindung elektrisch überbrücken. Hierzu bietet HBK das hochflexible Erdungskabel EEK in verschiedenen Längen an, das oberhalb und unterhalb des Aufnehmers angeschraubt wird.
- Stellen Sie sicher, dass der Aufnehmer nicht überlastet wird.

#### **WARNUNG**

*Bei einer Überlastung des Aufnehmers besteht die Gefahr, dass der Aufnehmer bricht. Dadurch können Gefahren für das Bedienpersonal der Anlage auftreten, in die der Aufnehmer eingebaut ist, sowie für Personen, die sich in der Umgebung aufhalten.*

Treffen Sie geeignete Sicherungsmaßnahmen zur Vermeidung einer Überlastung (siehe auch technische Daten Kapitel 10, Seite 54) oder zur Sicherung der sich daraus ergebenden Gefahren.

---

### 7.2 Allgemeine Einbaurichtlinien

Die zu messenden Kräfte müssen möglichst genau in Messrichtung auf den Aufnehmer wirken. Aus einer Querkraft resultierende Biegemomente und außermittige Belastungen, sowie Querkräfte selbst, können zu Messfehlern führen und bei Überschreitung der Grenzwerte den Aufnehmer zerstören.

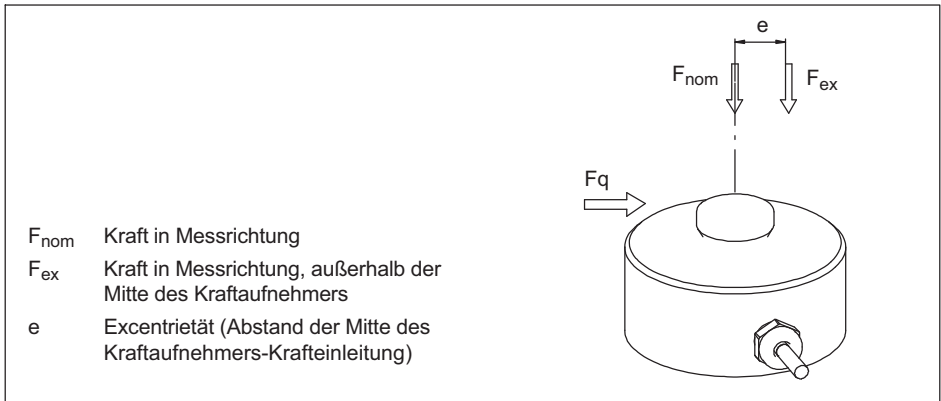


Abb. 7.1 Parasitäre Kräfte und Momente

### Hinweis

Beachten Sie beim Einbau und während des Betriebs des Aufnehmers die maximalen parasitären Kräfte – Querkräfte (durch Schiefeinleitung), Biegemomente (durch außermittige Krafteinleitung) und Drehmomente, siehe Technische Daten Kapitel 10 Seite 54 und die maximale zulässige Belastbarkeit der verwendeten (eventuell kundenseitigen) Krafteinleitungsteilen.

Die Krafteinleitung erfolgt auf den balligen Lastknopf auf der Oberseite des Kraftaufnehmers.

Das Konstruktionsteil, welches die Kraft in die ballige Lasteinleitung einleitet, muss geschliffen sein und eine Härte von mindestens 40 HRC aufweisen.

HBK bietet Druckstücke EDO9 zur C9C an, mittels derer Drehmomente und Biegemomente von dem Aufnehmer fern gehalten werden. Die Druckstücke weisen selbstverständlich die richtige Härte und Oberflächenbeschaffenheit auf.

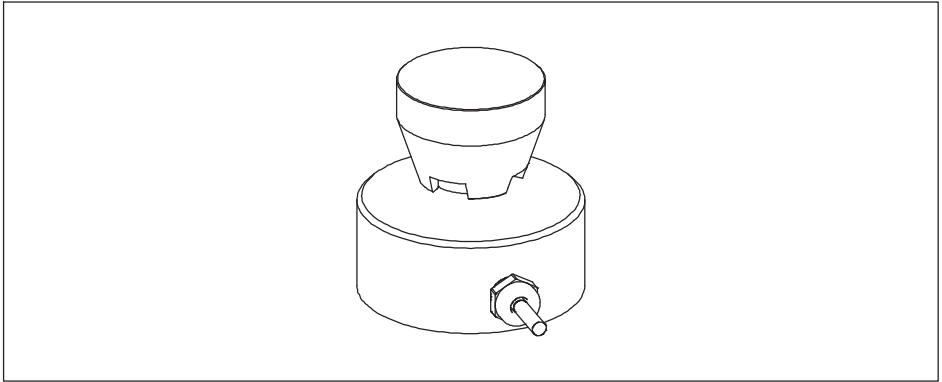


Abb. 7.2 Verwendung des Druckstücks ED09

Die Unterkonstruktion muss in der Lage sein, die zu messende Kraft aufzunehmen. Bedenken Sie, dass die Steifigkeit des Gesamtsystems von der Steifigkeit der Krafteinleitung und der Unterkonstruktion abhängt. Beachten Sie bitte auch, dass die Unterkonstruktion garantieren muss, dass die Kraft stets senkrecht in den Aufnehmer geleitet wird, d.h. auch unter voller Belastung darf es nicht zu Schiefstellung kommen.

Auf der Unterseite des Adapters befinden sich Gewindebohrungen, mittels derer sich die C9C auch über Kopf oder vertikal montieren lässt.

Nennkraft	Gewinde
50N...200N	3 mal M3
0,5...20kN	3 mal M2
50kN	4 mal M4

Beachten Sie bitte die Bauhöhen der C9C

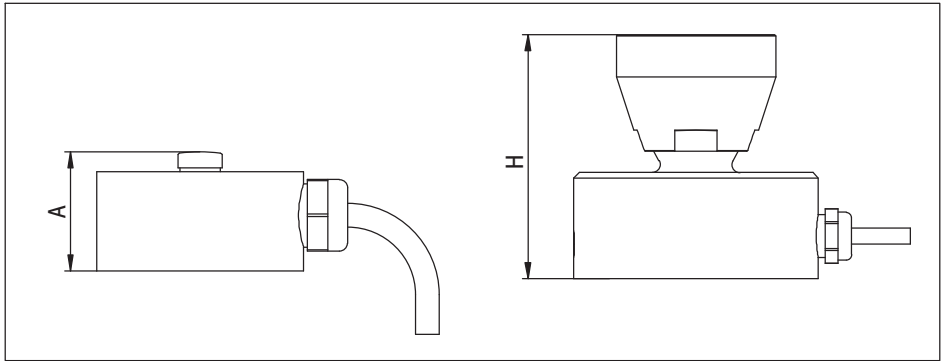


Abb. 7.3 Einbauhöhen der C9C mit und ohne Druckstück EDO9

C9C	A-0,1	H
50...200N	15	-
0,5...20kN	13	31,5
50kN	28	48,5

Weiterhin müssen folgende Anforderungen an das Konstruktionsteil gestellt werden, an das der Boden des Kraftaufnehmers wird, bzw. auf das die C9C gestellt wird:

- Wir empfehlen eine ebene, lackfreie und fettfreie Oberfläche. Die Reinigung kann z.B. mit dem Reinigungsmittel RMS1 von HBK erfolgen (Bestellnummer 1-RMS1).
- Es muss eine Härte von mindestens 40 HRC aufweisen.
- Es muss ausreichend steif sein, damit es sich nicht durchbiegt.
- Die Ebenheit ist ideal, wenn eine Toleranz von 0,01mm nicht überschritten wird.



## 8 ELEKTRISCHER ANSCHLUSS

### 8.1 Anschluss an Messverstärker ohne fest angeschlossenes Verstärkermodul

Die C9C gibt als Kraftaufnehmer auf Basis von Dehnungsmessstreifen ein Signal in mV/V aus. Es ist ein Verstärker zur Signalverarbeitung nötig. Es können alle Gleichspannungsverstärker und Trägerfrequenzverstärker verwendet werden, die für DMS - Messsysteme ausgelegt sind.

Die Kraftaufnehmer werden in Vierleiterschaltung ausgeführt.

#### 8.1.1 Allgemeine Hinweise und Verschaltung

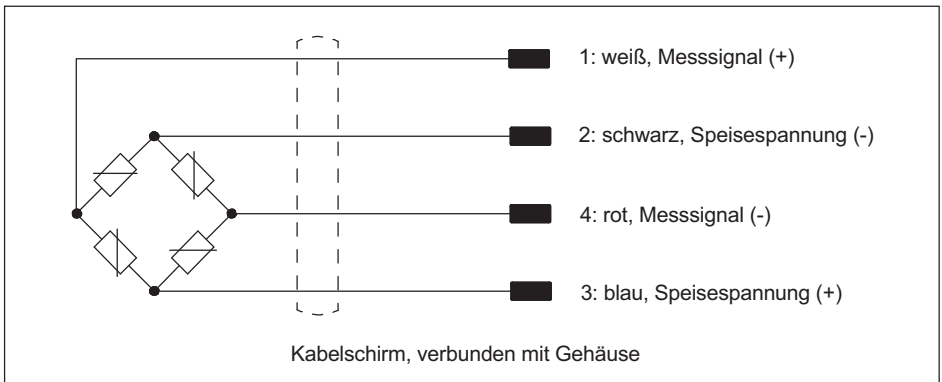


Abb. 8.1 Anschlussbelegung und Farbcode

Bei dieser Anschlussbelegung ist bei Belastung in Druckrichtung das Ausgangssignal positiv. Wünschen Sie ein negatives Ausgangssignal in Druckrichtung, so vertauschen die rote und weiße Ader.

Der Schirm des Anschlusskabels ist mit dem Aufnehmergehäuses verbunden. Nutzen Sie nicht die fertig konfektionierten Kabel von HBK, so legen Sie bitte den Kabelschirm auf das Gehäuse der Kabelbuchse. An den freien Enden des Kabels, dass mit dem Messverstärkersystem verbunden wird sind Stecker nach CE Norm zu verwenden, die Schirmung ist flächig aufzulegen. Bei anderer Anschluss technik ist im Litzbereich eine EMV-feste Abschirmung vorzusehen, bei der ebenfalls die Schirmung flächig aufgelegt werden muss.

#### 8.1.2 Kabelverlängerung und Kabelkürzung

Für die C9C stehen Anschlusskabel in verschiedenen Längen bereit, so dass Kabelverlängerungen oder Kabelkürzungen im Allgemeinen nicht notwendig sind.

Da der Aufnehmer in Vierleiter-Technik ausgeführt ist, dient das Kabel auch zur Kompensation der Temperaturabhängigkeit der Empfindlichkeit. Wir empfehlen deshalb das Kabel nicht zu kürzen und Kabelverlängerungen in Sechseleiter-Technik auszuführen. Bitte beachten Sie hierzu die Bedienungsanleitung Ihres Messverstärkersystems. Alle C9C, die mit montiertem Stecker bestellt sind, weisen ab dem Stecker eine Sechseleiter-Technik auf. Die Steckerbelegung finden Sie in den technischen Daten Kapitel 10 auf Seite 54 dieser Anleitung. Bedenken Sie bitte, dass ein Verlängerungskabel über sechs Adern verfügen muss. Eine solche Verlängerung hat keinen Einfluss auf die Messung. Haben Sie als Stecker die Option „SubHD“ (für das QuantumX) in Kombination mit der Option „TEDS“ gewählt, so müssen Sie sieben Adern verlängern, da in diesem Fall ein so genannter „One-Wire-Teds“ montiert ist, der zwei zusätzliche Adern benötigt.

Achten Sie bei Kabelverlängerungen unbedingt auf einwandfreie elektrische Verbindung mit geringem Übergangswiderstand und verbinden Sie den Kabelschirm flächig weiter. Beachten Sie, dass die Schutzklasse Ihres Kraftaufnehmers sinkt, wenn die Kabelverbindung undicht ist und Wasser in das Kabel eindringen kann. Unter diesen Umständen können Aufnehmer irreparabel beschädigt werden und ausfallen.

### 8.1.3 EMV-Schutz

Elektrische und magnetische Felder können eine Einkopplung von Störspannungen in den Messkreis verursachen. Wenn Sie folgende Punkte beachten, vermeiden Sie dies:

- Verwenden Sie nur abgeschirmte, kapazitätsarme Messkabel (HBK-Messkabel erfüllen diese Bedingung).
- Legen Sie das Messkabel nicht parallel zu Starkstrom- und Steuerleitungen. Falls dies nicht möglich ist, schützen Sie das Messkabel durch metallene Rohre.
- Meiden Sie die Streufelder von Transformatoren, Motoren und Schützen.
- Beachten Sie, dass Ausgleichsströme, die über den Kabelschirm fließen, beträchtliche Störungen verursachen können. Sollten der Sensor und Ihre Auswerteeinheit auf verschiedenen elektrischen Potentialen liegen, muss für eine elektrische Verbindung mit sehr geringem Widerstand gesorgt werden.
- Schließen Sie alle Geräte der Messkette an den gleichen Schutzleiter an.
- Legen Sie in jedem Fall den Kabelschirm verstärkerseitig flächig auf, um einen möglichst optimalen Faraday'schen Käfig herzustellen.

### 8.1.4 Aufnehmer-Identifikation TEDS

TEDS (Transducer Electronic Data Sheet) ermöglichen es, die Kennwerte eines Sensors in einen Chip entsprechend der IEEE 1451.4 Norm zu schreiben. Die C9C kann mit TEDS ausgeliefert werden, der dann im Steckergehäuse montiert und verschaltet ist und von HBK vor Auslieferung beschrieben wird. Wird der Kraftaufnehmer mit Prüfprotokoll bestellt, so werden die Kennwerte aus dem Prüfprotokoll im TEDS Chip hinterlegt, bei einer eventuellen zusätzlich bestellten DAKS-Kalibrierung werden die Ergebnisse der Kalibrierung in den TEDS-Chip abgelegt.

Das TEDS Modul ist für alle Steckervarianten in Zero-Wire-Technik ausgeführt. Dabei wird die Verschaltung im Stecker so vorgenommen, dass der Kraftaufnehmer an die HBK Messverstärker mit Zero-Wire-Technik angeschlossen werden kann. Beachten Sie, dass zur einwandfreien Funktion des TEDS alle Verlängerungen in Sechsheitertechnik ausgeführt sein müssen.

Wird ein entsprechender Verstärker angeschlossen (z.B. QuantumX von HBK), so liest die Elektronik des Verstärkers den TEDS Chip aus, die Parametrierung erfolgt dann automatisch ohne weiteres Zutun des Benutzers.

Der Chip-Inhalt kann mit entsprechender Hard- und Software editiert und geändert werden. Hierzu kann z.B. der Quantum Assistent oder auch die DAQ Software CATMAN von HBK dienen. Bitte beachten Sie die Bedienungsanleitungen dieser Produkte.

## **8.2 Elektrischer Anschluss Messverstärker mit Verstärkermodul**

### **8.2.1 Allgemeine Hinweise**

Wenn Sie den Sensor mit einem Inline-Verstärker bestellt haben, bilden Inline-Verstärker und Kraftaufnehmer eine Messkette, die nicht getrennt werden kann. Die Messkette ist dementsprechend als Einheit kalibriert, d.h. im Prüfprotokoll (oder im Kalibrierzertifikat) wird direkt der Zusammenhang zwischen der Kraft (in Newton) und dem Ausgangssignal (in V oder mA) angegeben.

Um auch unter dem Einfluss von elektromagnetischen Feldern eine sichere Messung zu garantieren, ist das Gehäuse des Inline-Verstärkers, sowie das Gehäuse des Sensors mit dem Kabelschirm verbunden. Somit bilden Sensor, Kabel und Verstärkergehäuse einen Faraday'schen Käfig. Dieses Konzept ist betriebssicher und sehr unempfindlich gegen Störungen.

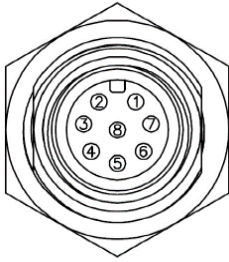
Beachten Sie, dass das Gewinde des M12-Steckers, mittels dem Sie die Verbindung zum nächsten Glied der Messkette herstellen, ebenfalls galvanisch mit dem Verstärkergehäuse und somit letztlich mit dem Sensorgehäuse verbunden ist.

Sollten das Gehäuse des Inline-Verstärkers und der Sensor auf verschiedenen elektrischen Potentialen liegen, so können Ausgleichsströme über den Kabelschirm fließen, die die Messung beeinflussen. Achten Sie deshalb darauf, dass alle Komponenten auf gleichem elektrischen Potenzial liegen. Sollten Sie die Schirmung des Kabels, welches am M12 Stecker angeschlossen ist weiterverbinden, so muss die nachfolgende Komponente ebenfalls auf das Potenzial von Sensor und Verstärkergehäuse gebracht werden. Verwenden Sie niederohmige Verbindungen zum Potenzialausgleich.

Eine Belastung mit einer Druckkraft führt zu einem steigenden Strom- oder Spannungssignal.

### **8.2.2 Anschluss des Gerätes mit 0-10 V und 4-20 mA Ausgangssignal**

Der Anschluss des Gerätes erfolgt über einen M12 Stecker an der Front des Inline-Verstärkers, die Belegung finden Sie in der folgenden Tabelle. Die Versorgungsspannung muss im vorgegebenen Bereich (19 V ... 30 V) liegen.



Pin	Version VA 1 (Spannungsausgang)	Version VA 2 (Stromausgang)	Belegung der Kabeladern des Anschlusskabels KAB168
1	Versorgungsspannung 0 V (GND)		weiß
2	Nicht belegt		braun
3	Steuereingang Nullsetzen		grün
4	Nicht belegt		gelb
5	Ausgangssignal 0 ... 10 V	Ausgangssignal 4 ... 20 mA	grau
6	Ausgangssignal 0 V	Nicht belegt	rosa
7	Nicht belegt		blau
8	Spannungsversorgung +19 ... +30 V		rot

Die Länge des Kabels, das den Inline-Verstärker mit dem nachfolgenden Glied der Messkette verbindet, darf 30 m nicht überschreiten.

### 8.2.3 Betrieb des Inline-Verstärkers / Nullsetzen der Messkette

Die Messung startet, sobald der Sensor mit einer Versorgungsspannung und der Ausgang des Verstärkers mit dem nächsten Glied der Messkette verbunden sind.

Wenn Sie den Eingang „Nullsetzen“ mit einer Spannung > 10 V belegen, wird ein einmaliges Nullsetzen ausgeführt. Nach diesem Nullsetzen misst das Gerät weiter, auch wenn Sie eine Spannung über 10 V am entsprechenden Eingang anliegen lassen.

Um erneut ein Nullsetzen auszulösen, muss der Eingang zunächst auf 0 V gesetzt werden, um dann wieder durch Anlegen einer Spannung von über 10 V Nullsetzen auszulösen.

#### Hinweis

*Bitte beachten Sie, dass Sie bei jeder anliegenden Kraft die Messkette Nullsetzen können. Sollte bereits eine Vorlast auf den Kraftaufnehmer wirken, ist dies unbedingt zu beachten, da sonst der Kraftaufnehmer überlastet werden kann.*

Der Nullpunkt wird nicht dauerhaft im Gerät gespeichert. Wenn Sie die Messkette von der Versorgungsspannung getrennt haben empfehlen wir, Nullsetzen erneut durchzuführen.

### 8.3 Inline Verstärkermodul VAIO

Wenn Sie Ihre C9C mit angeschlossenerem Inline Verstärker „VAIO“ bestellt haben, erhalten Sie den Sensor und Elektronik in einer fest verbundenen Einheit. In dieser Version steht ein digitales Daten-Ausgangssignal bereit. Die Sensoren weisen als Schnittstelle IO-Link, mit Datenausgaberate COM3 auf. Die Datenstruktur entspricht dem IO-Link Profile Smart Sensors 2nd Edition, Specification, Version 1.1 September 2021

Das Modul kann sowohl als messender Sensor wie auch als programmierbarer Kraftschalter (über digitale Schaltausgänge) verwendet werden.

#### 8.3.1 Funktionsweise

Die analogen Signale des Kraftaufnehmers werden zunächst digitalisiert, um dann in Messwerte gemäß der Werkseinstellung in die Einheit Newton gewandelt zu werden. Unabhängig von dem angeschlossenen Master beträgt die Abtastrate dabei immer 40 kHz, so dass auch sehr schnelle Vorgänge sicher erfasst werden, und in der nachfolgenden Elektronik ausgewertet werden können (z.B. Spitzenkraft bei einem Pressvorgang). Es ist möglich, das Ergebnis einer Kalibrierung im Sensor abzulegen, um die Genauigkeit zu erhöhen. In einem weiteren Skalierungsschritt können Sie eine beliebige Einheit und einen Umrechnungsfaktor eingeben, so dass es möglich ist andere physikalische Größen zu bestimmen (z.B. Drehmoment unter Nutzung eines Hebelarms oder Messungen in anderen Einheiten als die des SI-Systems, z.B. lbf).

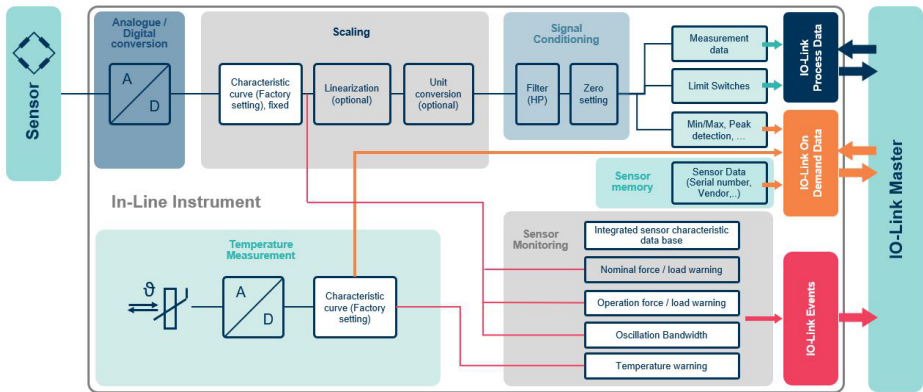


Abb. 8.2 Bild: Signalfluss innerhalb der Sensorelektronik. Die weiß markierten Felder können nicht durch den Anwender geändert/parametriert werden.

Das Verstärkermodul verfügt über weitere Funktionen, wie z.B. digitale Tiefpassfilter, Spitzenwertspeicher (Schleppzeigerfunktion) oder Grenzwertschalter gemäß dem Smart Sensor Profile) Bitte beachten Sie hierzu die folgenden Hinweise.

In der Elektronik findet eine permanente Überwachung des Ausgangssignals statt, so dass Sie gewarnt werden, wenn sich kritische Betriebszustände einstellen.

Die Datenübertragung zur SPS erfolgt über einen IO-LINK-Master – gemäß dem Standard IEC 61131-9 (IO-Link), ebenso ist der elektrische Anschluss in diesem Standard definiert.

### 8.3.2 Elektrischer Anschluss und Montage des Inline Verstärkermoduls

Der Inline-Verstärker weist zwei Bohrungen auf, mittels derer das Modul befestigt werden kann (siehe hierzu die Zeichnung unter dem Kapitel „Abmessungen“). Da das Gehäuse des Verstärkermoduls und das Gehäuse des Kraftaufnehmers elektrisch über den Kabelschirm galvanisch verbunden ist, entsteht für alle Komponenten ein Faraday'scher Käfig. Somit erreicht die Messkette hohe Betriebssicherheit auch unter ungünstigen EMV-Bedingungen. Die Messkette ist bei HBK nach EN 61326 getestet.



#### Wichtig

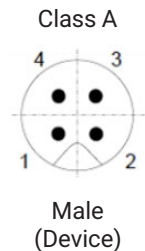
*Bitte achten Sie darauf, dass der Inline-Verstärker und der Kraftaufnehmer auf dem gleichen elektrischen Potential ist, um Ausgleichströme über den Schirm zu verhindern.*

Das Modul ist kurzschlussfest ausgelegt, aber nicht gegen Überspannungen geschützt.

Der Anschluss eines IO Link Masters erfolgt am M12 Stecker. Die Belegung dieses Steckers entspricht den Vorgaben des Standards ([IO-Link] 5.5.1 Connectors), Class A ist wie folgt:

#### Buchse am Inline-Verstärker, Pinbelegung Draufsicht

PIN	Belegung U9/C9
1	Versorgungsspannung +
2	Digitaler Ausgang (DI/DO Pin Function)
3	Versorgungsspannung-, Bezugspotential
4	IO Link Daten (C/Q), Automatische Umschaltung zum digitalen Ausgang (SIO-Mode)



#### Information

*HBK nutzt M12 Class A Anschlüsse gemäß IO-Link Standard*

#### Hinweis

*Das Verstärkermodul und der Sensor sind untrennbar miteinander verbunden. Das Kabel, das Sensor und Verstärker miteinander verbindet, darf nicht getrennt werden. Sollte das Sensoranschlusskabel beschädigt sein, schicken Sie bitte ihre Messkette zur Reparatur nach HBK ein.*

## **WARNUNG**

*Das Modul ist nicht geeignet um an anderen Sensoren betreiben zu werden. Es ist nicht möglich, den Verstärker vom Sensor zu trennen und mit anderen Kraftaufnehmern sinnvoll zu messen.*

---

### **8.3.3 Inbetriebnahme**

Verbinden Sie das Verstärkermodul mit einem für die IO LINK Kommunikation geeigneten Kabel zu einem IO Link Master. Bei sehr hohen Anforderungen an die Messgenauigkeit empfehlen wir, die Messkette für 30 min warm laufen zu lassen.

Die Messkette startet nun und ist dann betriebsbereit. Hierzu sendet der Master ein „Wake-Up“ Signal an den Sensor.

Wenn der entsprechende Anschluss des IO-Link Masters auf IO-Link Betriebsart konfiguriert ist, liest der Master selbstständig die grundlegende Geräte-Parameter aus der Messkette. Diese dienen zur automatischen Herstellung der Kommunikation und zur Identifikation der Messkette. In diesem Zustand überträgt der Sensor zyklisch und automatisch Prozessdaten (Messdaten in Newton und Status der Grenzwertschalter) and den Master.

Bitte beachten Sie die Anleitung des IO LINK Masters und die Anleitung der Software, die Sie verwenden.

Die Gerätebeschreibungsdatei (IODD) der Messkette ermöglicht Ihrer Anwendung die Messdaten und Parameter darzustellen und zu verarbeiten, sowie die Messkette nach ihren Bedürfnissen zu konfigurieren. (Grenzwertschalter, Filter, usw.). Wenn Ihre Anwendung die IODD nicht automatisch aus dem Internet lädt, können Sie diese von der offiziellen IO-Link Seite <https://ioddfinder.io-link.com> herunterladen. Geben Sie dazu die K-U9C/Nennkraft, also z.B. K-U9C/50kN und den Herstellernamen, also Hottinger Brüel & Kjaer GmbH in das Suchfeld ein und laden die IODD anschließend in Ihre Anwendung.

Alternativ können Sie auch die Tabelle der Variablen (Object dictionary) aus dieser Anleitung verwenden, so dass Sie Ihre nachfolgende Elektronik programmieren und einrichten können.

### **8.3.4 Datenstruktur**

Zwischen Elektronik und IO-Link Master werden die Daten im IO-Link M-Sequence Format TYPE\_2\_V übertragen.

Prozessdaten IO-Link Master -> Device (Kraftaufnehmer)	MC	CKT	PDout0										
Datenstrom für On-Demand-Daten				OD_0	OD_1								
Prozessdaten Device (Kraftaufnehmer) -> IO-Link-Master						PDin0	PDin1	PDin2	PDin3	PDin4	PDin5	CKS	

Der Messwert und der Schaltzustand der Grenzwertschalter sowie Warnungen (siehe unten) wird mit den sechs Prozessdaten-Bytes PDin0 bis PDin5 übertragen. Die Messdaten befinden sich in den ersten vier Bytes (PDin0 bis PDin3). Die Messdaten werden im Float-Format übertragen. Die Übertragung erfolgt mit jedem Zyklus, die Zykluszeit hängt vom verwendeten Master und der Parametrierung ab.

Typische Latenzzeiten, von der Kraftänderung bis zur Auswertung durch eine SPS, liegen bei 3 bis 10 Millisekunden (unter anderem abhängig vom verwendeten IO-Link Master, Feldbus, SPS), wenn die Filter (siehe unten) in der Elektronik deaktiviert sind.

On Demand Daten werden auf Abfrage ausgegeben (und mit Hilfe der oben dargestellten Bytes OD\_0 und OD\_1 übertragen). Hierzu gehören:

- Temperaturinformationen
- Sensorinformationen (Hersteller, Bestellcode, Seriennummer)

Weitere Ereignisse werden bei Bedarf als IO-Link Events übermittelt. Hierzu wird im Byte „CKS“ ein Bit gesetzt, nähere Informationen zur Warnung können als On-Demand Daten abgerufen werden

- Überschreitung des Nennkraft- oder Gebrauchskraftbereiches
- Überschreitung von Nenntemperatur- oder Gebrauchskraftbereiches
- Überschreitung der dynamischen Belastung (zulässige Schwingbreite)

### 8.3.5 Allgemeine Anzeigen

Folgende Informationen stehen immer zur Verfügung und werden i.d.R. angezeigt, wenn Sie die Verbindung zwischen der Elektronik und einem IO Link Master hergestellt haben.

Bitte beachten Sie: Je nach verwendetem IO Link Master und Software kann die Anzeige variieren, da dies durch die GUI des Masters / der Software bestimmt ist.



Index (hex)	Sub-index (hex)	Perimissions	Data Type	Data Size bytes	Parameter	Beschreibung
0	0x08, 0x09	ReadOnly	Byte	2	Vendor ID	429 (ID Hottinger, Bruel und Kjaer)
0	0xDA, 0x0B, 0x0C	ReadOnly	Byte	3	Device ID	Eindeutige Kennung je nach Sensortyp und Nennkraft
0x0013	0x00	ReadOnly	StringT	63	IOL Product ID	Typenreihe und Nennkraft des Sensors
0x0014	0x00	ReadOnly	StringT	63	IOL Product Text	z.B: Force Transducer for compressive forces
0x0015	0x00	ReadOnly	StringT	16	IOL Serial Number	Seriennummer Sensor
0x0017	0x00	ReadOnly	StringT	64	IOL Firmware Rev	Firmwarestand
0x1008	0x00	ReadOnly	Sting T	64	K-Mat	Bestellnummer ihres Sensors
0x0016	0x00	ReadOnly	StringT	64	Rev	Hardwarestand

### 8.3.6 Menüpunkt "Identification"

In diesem Menüpunkt finden Sie folgende Felder:

- Application specific Spec: Hier können Sie Freitext eingeben, um die Messstelle zu kommentieren. MAX: 32 Zeichen
- Function Tag: Hier können Sie Freitext eingeben, um die Anwendung der Messstelle zu beschreiben. MAX: 32 Zeichen
- Location Tag: Hier können Sie Freitext eingeben, um den Ort der Messstelle zu notieren: MAX: 32 Zeichen
- Production Date: Produktionsdatum ihres Sensors
- K-MAT: Hier steht der Bestellcode ihres Sensors, Sie können dieses Feld nicht beschreiben oder den Inhalt ändern
- Firmware Version: Hier finden Sie die Firmware Version der Elektronik, Sie können dieses Feld nicht beschreiben oder den Inhalt ändern
- Hardwareversion: Hier finden Sie die Hardware Version der Elektronik, Sie können dieses Feld nicht beschreiben oder den Inhalt ändern

Index (hex)	Sub-index (hex)	Permissions	Data Type	Data Size bytes	Parameter	Beschreibung
0x0010	0x00	ReadOnly	StringT	63	Vendor Name	Hottinger Bruel & Kjaer GmbH
0x0011	0x00	ReadOnly	StringT	63	Vendor Text	<a href="http://www.hbkworld.com">www.hbkworld.com</a>
0x0012	0x00	ReadOnly	StringT	63	Product Name	Sensortyp, z.B. K-U9c_20kN
0x0013	0x00	ReadOnly	StringT	63	Product ID	Sensortyp und Nennkraft
0x0014	0x00	ReadOnly	StringT	63	Product Text	z.B: Force Transducer for compressive forces
0x0018	0x00	ReadWrite	StringT	32	Application-specific TAG	Freitext, max 32 Zeichen (Kommentar zur Messstelle)
0x0019	0x00	ReadWrite	StringT	32	Function Tag	Freitext, max 32 Zeichen (Anwendung der Messstelle)
0x001A	0x00	ReadWrite	StringT	32	Location TAG	Freitext, max 32 Zeichen (Ort der Messstelle)
0x0016	0x00	ReadOnly	StringT	64	Hardware Rev	Hardwarestand
0x0017	0x00	ReadOnly	StringT	64	Firmware Rev	Firmwarestand
0x0015	0x00	ReadOnly	StringT	16	Serial Number	Seriennummer Sensor
0x0803	0x00	ReadOnly	StringT	32	PCB Number	Seriennummer Verstärkerelektronik

### 8.3.7 Justage der Messkette ("Adjustment")

Die Messkette ist ab Werk justiert und gibt nach Start (im Rahmen der Messunsicherheit) richtige Kraftwerte aus. Eine Justage ist im Normalbetrieb nicht notwendig. Sie können die Kennlinie anpassen, wenn Sie das Ergebnis einer Kalibrierung zur Verbesserung der

Berechnung der Kraftwerte (Linearisierung) nutzen wollen, oder wenn Sie in einer anderen Einheit als Newton arbeiten (kN, Nm, usw.)

Wenn Sie die Messgenauigkeit erhöhen möchten, in dem Sie einen vorhandenen Kalibrierschein verwenden, finden die im Menü „Adjustment“ den Punkt „Adjustment mode“. Hier können Sie wählen, ob Sie mit Stützstellen arbeiten wollen, oder ob Sie die Eingabe der Koeffizienten eines kubischen oder quadratischen Ausgleichspolynoms bevorzugen.

### Nullsetzen („Zero Setting“)

Sie können in der Software Ihres IO-Link Masters den Button „Nullsetzen“ verwenden, um Nullsetzen durchzuführen. Nach dem die Elektronik Nullsetzen durchgeführt hat, werden weiter Messdaten ausgegeben. Erneutes Nullsetzen erfordert, den Button zunächst wieder inaktiv zu machen, um erneut zu betätigen.

Der Nullpunkt wird nicht permanent gespeichert, wenn Sie das Gerät von der Versorgungsspannung trennen, ist erneutes Nullsetzen erforderlich.

Index (hex)	Sub-index (hex)	Lese-/Schreibzugriff	Data Type	Data Size byte	Description	Value (hex)	Beschreibung
0x0002	0x00	Write	UINT	1	Zero Setting	0xD0	Löst Nullsetzen aus
0x0002	0x00	Write	UINT	1	Zero Reset	0xD2	Löscht den Nullspeicher

### Dokumentationsfelder, Abschalten der Kundenjustage (Linearisierung), Auswahl der Linearisierungsmethode

Sie finden folgende Felder:

- Calibration date: Hier können Sie den Tag notieren, an dem der Sensor kalibriert wurde. Wenn Sie den Sensor im HBK Kalibrierlabor kalibrieren lassen, werden die Daten vom HBK Kalibrierlabor eingetragen
- Calibration Authority: Hier können Sie das Kalibrierlabor eingeben, das die Kalibrierung durchgeführt hat. Wenn Sie den Sensor im HBK Kalibrierlabor kalibrieren lassen, werden die Daten vom HBK Kalibrierlabor eingetragen
- Calibration Certificate ID: Hier können Sie die Nummer des Kalibrierscheins hinterlegen.
- Calibration Expiration Date: Hier können Sie eingeben, wann der Sensor erneut kalibriert werden soll. Die Abstände zwischen zwei Kalibrierungen werden kundenseitig definiert, deshalb wird dieses Feld im Falle einer Kalibrierung bei HBK nicht ausgefüllt
- Linearization: Hier können Sie die Linearisierung, und damit die Wirkung der Eingabe des Ergebnisses eines Kalibrierscheins ein- und ausschalten. Disabled: Funktion

unwirksam; Stepwise: Eingabe von Stützstellen; Polynomial: Eingabe einer Ausgleichspolynoms: 1. 2.- oder 3. Grades (Siehe folgender Text)



**Wichtig**

Bitte denken Sie daran, dass die Linearisierung nur wirksam ist, wenn „Linearization“ NICHT auf „disabled“ steht

Index (hex)	Perimissions	Data Type	Data Size bytes	Description	Beschreibung
0x0C44	ReadWrite	StringT	32	calibration date	Datum der Kalibrierung
0x0C45	ReadWrite	StringT	32	calibration authority	Kalibrierlabor
0x0C46	ReadWrite	StringT	32	calibration certificate-id	Nummer des Kalibrierscheins
0x0C47	ReadWrite	StringT	32	calibration expiration date	Datum, an dem erneute Kalibrierung notwendig ist
0x0C26	ReadWrite	UIntegerT	1	Linearization	Auswahl der Art der Linearisierung:
					0: keine Linearisierung wird angewendet 1: Linearisierung über Stützstellen 2: Linearisierung über kubische Funktion

**Linearisierung mittels Stützstellen**

- ▶ Wählen Sie „Stepwise linear Adjustment“, es erscheint das Menü „Adjustment Supporting points“.
- ▶ Geben Sie die Anzahl der Stützstellen ein, diese Anzahl kann zwischen zwei und 21 liegen. Beachten Sie bitte, dass der Nullpunkt eine Stützstelle darstellt. Wollen Sie also eine Gerade eingeben, wählen Sie zwei Stützstellen aus.
- ▶ Die durch die Kalibriermaschine angelegte Kraft der jeweiligen Stufe tragen Sie bitte in den Feldern Ext Cal X ein.
- ▶ Das Messergebnis der Kalibrierung entnehmen Sie bitte dem Kalibrierschein und tragen die Zahlenwerte als „Ext Cal Y“ ein.

- Es ist wichtig, mit der negativsten Kraft zu beginnen, das ist die höchste Zugkraft. Bei reinen Druckkraftsensor ist 0 N als „höchste Zugkraft“ definiert.

Index (hex)	Sub-index (hex)	Permissions	Data Type	Data Size bytes	Description	Beschreibung
0x0C27	0x00	ReadWrite	UIntegerT	1	External Calibration Number of Points	Anzahl der Stützstellen, mit Nullpunkt
0x0C28	0x01 - 0x15	ReadWrite	Float32T	4	Ext Cal X 1 - Ext Cal x 21	Eingabe der Stützstellen einer Kalibrierung
0x0C29	0x01 - 0x15	ReadWrite	Float32T	4	Ext Cal Y 1 - Ext Cal Y21	Eingabe des Kalibrierergebnisses zu einer Stützstelle

### Information

*Da 21 Stützstellen vorgesehen sind, ist es bei Zug/Druckkraftaufnehmern möglich, zwei Kalibrierscheine abzulegen, jeweils einen für den Zugbereich, einen für den Druckbereich.*

### Linearisierung mittels Ausgleichsfunktion

Wählen Sie „Cubic polynomial calibration“. Sie können kubische, quadratische und lineare Ausgleichsfunktionen verwenden. Im Menü „Adjustment Coefficients“ ist es möglich zwei kubische Funktionen verarbeiten: Eine für den Zugkraftbereich, eine für den Druckkraftbereich.

Zugkraft: Negative Force

Druckkraft: Positive Force

Voraussetzung ist, dass eine Kalibrierung durchgeführt wurde und das Ergebnis in folgender Form vorliegt:

$$F \text{ Ausgabe} = R \cdot X^3 + S \cdot X^2 + T \cdot X$$

F Ausgabe ist dabei das von der Elektronik errechnete korrigierte Messergebnis. Die Koeffizienten R, S und T sind das Ergebnis einer Approximation der Kennlinie, wie Sie die Kalibrierung festgestellt hat.



## Tipp

Die Bezeichnungen entsprechen dem Kalibrierschein nach ISO376. Liegt Ihnen ein solcher Schein vor, können Sie die Koeffizienten einfach aus dem Kalibrierschein übernehmen. HBK übernimmt für Sie den Eintrag der Koeffizienten, wenn Sie die Kalibrierung bei HBK durchführen lassen.

Arbeiten Sie mit einer quadratischen Approximation, setzen Sie bitte R zu Null. Bei einer linearen Approximation setzen Sie bitte R und S zu Null. Der Kalibrierschein muss tarierte Werte aufweisen, d.h. die kubische Funktion darf keine Konstante enthalten.

Im Menü „Adjustment“ können ebenfalls zu Dokumentationszwecken der Name der Kalibrierstelle, Datum, Kalibrierschein-Bezeichnung und Ablaufdatum in der Elektronik abgespeichert werden, wenn ein Kalibrierschein vorliegt. (Siehe oben)

Index (hex)	Sub-index (hex)	Permissions	Data Type	Data Size bytes	Description	Beschreibung
0x0C2A	0x02	ReadWrite	Float32T	4	Adjustment Coeffs T Compr.	Linearer Anteil für den Druckbereich
0x0C2A	0x03	ReadWrite	Float32T	4	Adjustment Coeffs S Compr.	Quadratischer Anteil für den Druckbereich
0x0C2A	0x04	ReadWrite	Float32T	4	Adjustment Coeffs R Compr.	Kubischer Anteil für den Druckbereich
0x0C2B	0x02	ReadWrite	Float32T	4	Adjustment Coeffs T tens.	Linearer Anteil für den Zugbereich
0x0C2B	0x03	ReadWrite	Float32T	4	Adjustment Coeffs S tens.	Quadratischer Anteil für den Zugbereich
0x0C2B	0x04	ReadWrite	Float32T	4	Adjustment Coeffs T tens.	Kubischer Anteil für den Zugbereich

## Messwertausgabe in einer anderen Einheit

Verwenden Sie den Punkt „Unit Conversion“ um eine andere Einheit als N auszuwählen. Dabei ist der an die nachfolgende Elektronik gesendete Zahlenwert der gleiche, wie in der Software ihres IO-Link Masters angezeigt.

Unter Process data switch können Sie nun die Einheit wählen. Im Fall von kN, MN erfolgt die Umrechnung ohne ihr Zutun, wählen Sie eine der anderen Einheiten, werden Sie aufgefordert, einen Umrechnungsfaktor einzugeben („Unit Conversion Factor“)

Beispiel: Ausgabe soll in kg sein. Wählen Sie kg als Einheit. An ihrem Einsatzort ist die Erdbeschleunigung 9,806 m/s<sup>2</sup>. Der Skalierungsfaktor ist  $1/9,806 \text{ m/s}^2 = 0,101979 \text{ s}^2/\text{m}$

Die Berechnung erfolgt dann: Ausgabe in kg=Messwert in N x 0,101979 s<sup>2</sup>/m

Sollten Sie eine Umrechnung benötigen, die auch einen konstanten Faktor benötigt, dann können Sie diesen unter Zero Offset User eingeben.

Index (hex)	Sub-index (hex)	Permissions	Data Type	Data Size bytes	Description	Beschreibung
0x00FC	0x00	ReadWrite	UIntegerT	1	Process Data Switch	Auswahl einer anderen Einheit als N
0x0C19	0x00	ReadWrite	Float32T	4	User Unit Conversion Factor	Umrechnungsfaktor
0x0C1B	0x00	ReadWrite	Float32T	4	Zero Offset User	Eingabe eines Nullwertes

## Filter

Die Elektronik stellt Tiefpassfilter zur Verfügung. Sie können zwischen Bessel- und Butterworth Charakteristik wählen. Die Filterfrequenzen sind via numerische Eingabe beliebig im von 0,01 Hz bis 1 000 Hz einstellbar

- Wählen Sie das Menü „Low Pass Filter Mode“, um den Filter zu aktivieren / deaktivieren und die Filtercharakteristik auszuwählen (Butterworth oder Bessel)
- Nutzen Sie den Menüpunkt „Filter Low Pass Cut Off Frequency“, um die Grenzfrequenz einzugeben

Bei einem Signalsprung schwingt ein Butterworthfilter über, d.h. kurzzeitig werden höhere Werte ausgegeben, als tatsächlich gemessen werden, dafür ist die Ansprechzeit sehr gering. Besselfilter schwingen bei einem Signalsprung nicht über, zeigen aber eine deutlich längere Einschwingzeit. Beachten Sie hierzu die Signallaufzeit in den technischen Daten.

Index (hex)	Sub-index (hex)	Permissions	Data Type	Data Size bytes	Description	Beschreibung
0x006F	0x00	ReadWrite	UIntegerT	1	filter iir lp mode	Ein-/Ausschalten Filter und Auswahl Filtercharakteristik
0x0071	0x00	ReadWrite	Float32T	4	filter iir lp cutoff Hz	Eingangsgrenzfrequenz

### 8.3.8 Grenzwertschalter (Limit Switches, Switching Signals)

Es stehen zwei Grenzwertschalter zur Verfügung die gemäß der IO-Link Smart Sensor Profile Spezifikation ([Smart Sensor Profile] B.8.3 Quantity detection) ausgeführt sind:

- Schalter 1: SSC.1 (Switching Signal Channel 1)
- Schalter 2: SSC.2 (Switching Signal Channel 2)

Beide Schalter können invertiert werden, d.h. Sie können entscheiden, ob ein Schaltbit ab einer bestimmten Kraft auf „low“ oder „high“ ausgegeben wird. Zusätzlich können beide Grenzwertschalter mit einer Hysterese versehen werden, so dass ein erneutes Umschalten bei einer kleineren (oder größeren) Kraft erfolgt, als der Schaltpunkt.

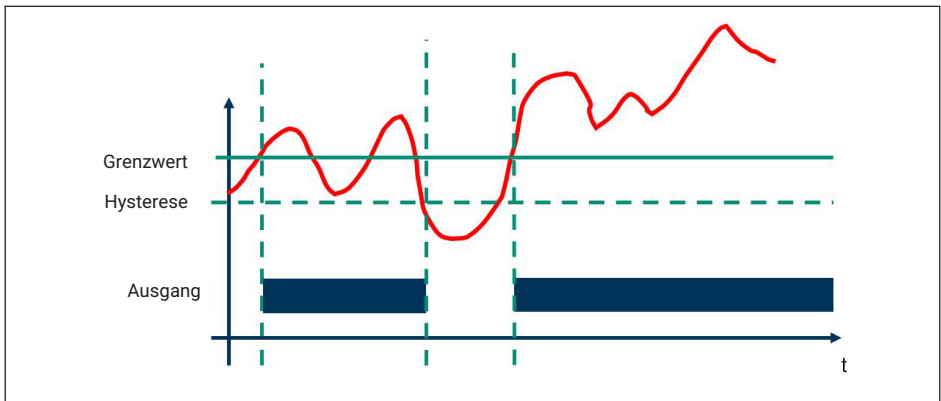


Abb. 8.3 Grafische Darstellung Funktion Grenzwertschalter

#### Einstellung der Grenzwertschalter

- ▶ Zunächst wählen Sie im Feld „Config Mode“ aus, ob
  - Der Grenzwertschalter inaktiv ist (deactivated)
  - Eine einzelne Schwellkraft (mit Hysterese) eingestellt wird (single point)



- Eine Schaltpunkt und ein Rückschaltpunkt festgelegt werden soll (die Differenz ist dann die Hysterese)
- Eine Bereichsüberwachung gewünscht wird, die ein Signal auslöst, wenn ein Kraftbereich über- oder unterschritten wird (Window-Mode)

Dabei gilt für alle Betriebsmodi:

- Größer werdende Druckkräfte sind steigende Kräfte
- Kleiner werdende Zugkräfte steigende Kräfte
- Kleiner werdende Druckkräfte sind fallende Kräfte
- Größer werdende Zugkräfte sind fallende Kräfte

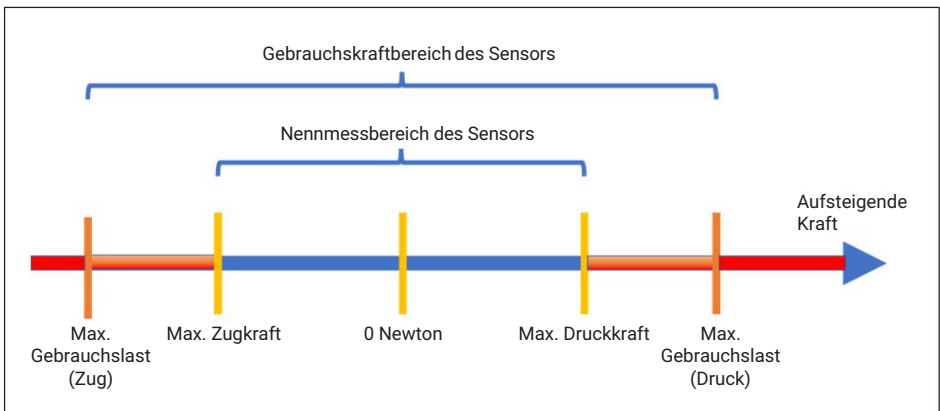


Abb. 8.4 Grafische Darstellung Gebrauchskraftbereich, Nennbereich eines Sensors und Definition Zug-/Druckkraftbereich

### Single point (Schwellwert & Hysterese)

Im Folgenden nennen wir den Schaltpunkt oder Grenzwert Schwellenwert.

Im Fall, dass der Schalter bei **steigender Kraft** ausgelöst werden soll:

- ▶ Schalten Sie Logic auf „High active“
- ▶ Geben Sie im Feld „SP1“ die Kraft (Schwellenwert) ein, bei der der Schalter ausgelöst werden soll
- ▶ Geben Sie im „Config Hys“ einen Kraftwert ein, der die Differenz darstellt, innerhalb der der Schalter aktiv bleibt, auch wenn der Schwellenwert unterschritten wird

Im Fall, dass der Schalter bei **fallender Kraft** ausgelöst werden soll:

- ▶ Schalten Sie Logic auf „Low active“
- ▶ Geben Sie im Feld „SP1“ die folgende Kraft ein: Schwellenwert minus Hysterese. Die Hysterese ist dabei der Kraftwert, der die Differenz darstellt, innerhalb der der Schalter aktiv bleibt, auch wenn die Kraft über den im Feld SP1 eingetragenen Wert liegt.

- ▶ Geben Sie im „Config Hys“ die Hysterese ein.

Der Schalter ist in beiden Fällen „High“, wenn der Grenzwertschalter auslöst, Sie können durch Umschalten von High Active auf Low Active die Logik invertieren

### **Two point (Schaltpunkt und Rückschaltpunkt)**

Im Fall, dass der Schalter bei **steigender Kraft** ausgelöst werden soll:

- ▶ Schalten Sie Logic auf „High active“
- ▶ Setzen Sie das Feld „SP1“ auf die höhere Kraft (in der oben definierten Logik)
- ▶ Wünschen Sie, dass das erneute Umschalten bei fallender Kraft bei einem kleineren Kraftwert erfolgt, setzen Sie im Feld SP2 diesen kleineren Kraftwert. Setzen Sie beide Werte gleich, funktioniert der Schalter ohne Hysterese

Im Fall, dass der Schalter **bei fallender Kraft** ausgelöst werden soll

- ▶ Schalten Sie Logic auf „Low active“
- ▶ Setzen Sie das Feld „SP1“ auf die höhere Kraft (in der oben definierten Logik)
- ▶ Wünschen Sie, dass das erneute Umschalten bei steigender Kraft bei einem kleineren Kraftwert erfolgt, setzen Sie im Feld SP2 diesen kleineren Kraftwert. Setzen Sie beide Werte gleich, funktioniert der Schalter ohne Hysterese

### **Window mode**

Mit dem Window Mode ist eine Bereichsüberwachung möglich.

- Geben Sie beiden Kräfte, die die Schaltpunkte definieren und SP1 und SP2 ein. Die Reihenfolge ist unerheblich.
- Wenn gewünscht, können Sie eine Hysterese eingeben, diese ist dann für den oberen und unteren Schaltpunkt identisch.
- Sie können die Ausgabe invertieren, in dem Sie „high Active“ oder „low active“ wählen. Bei High active ist die Ausgabe logisch 1, wenn der Messwert im Window-Bereich liegt.

Der Zustand der Grenzwertschalter kann über zwei Digitalausgänge in Form eines 24 V Schaltsignals an der Elektronik ausgegeben werden.

Index (hex)	Sub-index (hex)	Permissions	Data Type	Data Size bytes	Array Length	Description	Beschreibung
0x003C	0x00	ReadWrite	UIntegerT	1	8	SSC1_1 Params (SP1, SP2)	Zugriff auf alle Parameter für Switching Channel 1
0x003C	0x01	ReadWrite	Float32T	4		SSC1_1 SP1	Schaltpunkt für Switching Channel 1
0x003C	0x02	ReadWrite	Float32T	4		SSC1_1 SP2	Zweiter Schaltpunkt für Switching Channel 2
0x003D	0x00	ReadWrite	UIntegerT	1	6	SSC1_1 Config (logic, mode, hyst)	Zugriff auf alle Configurationen für Switching Channel 1
0x003D	0x01	ReadWrite	UIntegerT	1		SSC1_1 logic	Invertiert / nicht invertiert
0x003D	0x02	ReadWrite	UIntegerT	1		SSC1_1 mode	Betriebsart (z.B. Two Point)
0x003D	0x03	ReadWrite	Float32T	4		SSC1_1 hyst	Eingabe Hysterese
0x003E	0x00	ReadWrite	UIntegerT	1	8	SSC1_2 Params (SP1, SP2)	Zugriff auf alle Parameter für Switching Channel 2
0x003E	0x01	ReadWrite	Float32T	4		SSC1_2 SP1	Schaltpunkt für Switching Channel 2
0x003E	0x02	ReadWrite	Float32T	4		SSC1_2 SP2	Zweiter Schaltpunkt für Switching Channel 2

Index (hex)	Sub-index (hex)	Perimissions	Data Type	Data Size bytes	Array Length	Description	Beschreibung
0x003F	0x00	ReadWrite	UIntegerT	1	6	SSC1_2 Config (logic, mode, hyst)	Zugriff auf alle Configurationen für Switching Channel 2
0x003F	0x01	ReadWrite	UIntegerT	1		SSC1_2 logic	Invertiert / nicht invertiert
0x003F	0x02	ReadWrite	UIntegerT	1		SSC1_2 mode	Betriebsart (z.B. Two Point)
0x003F	0x03	ReadWrite	Float32T	4		SSC1_2 hyst	Eingabe Hysterese

Der Anschluss DO (Pin 2, siehe oben) steht immer zur Verfügung. Der Anschluss C/Q / SIO (Pin 4, siehe oben) kann nur als Digitalausgang benutzt werden, wenn nicht zeitgleich eine IO-Link Datenübertragung benötigt wird.

Sie können die Schaltpunkte auch einlernen, wie vom Smart Sensors Profil beschrieben. Hierzu finden Sie im Menü den Unterpunkt „Teach“.

Wählen Sie zunächst, welchen Switching Signal Channel Sie einlernen möchten. Dann können sei durch aktivieren „Teach SP1“ oder „Teach SP2“ den Schaltpunkt mit der Kraft festlegen, die aktuell gemessen wird.

Bei der Single Point Methode müssen Sie nur SP1 einlernen, die Hysterese wird eingegeben (siehe oben).

Bei der Two Point oder der Windows Funktionalität müssen beide Schaltpunkte eingelernt werden. Für die Bereichsüberwachung (Window) können Sie eine Hysterese eingeben.

Index (hex)	Sub-index (hex)	Perimissions	Data Type	Data Size bytes	Description	Beschreibung
0x003A	0x00	ReadWrite	UInteger T	1	Teach Select	Auswahl des Switching Channels
0x003B	0x00	Read		1	Result (Success oder Error)	Bestätigung, dass Teach Prozess o.k. ist
0x0002	0x00	Write	Uinterger	1	0x41=teach SP1; 0x42 = Teach SP2	Auslösen des Teachprozesses

### 8.3.9 Belegung der digitalen Schaltausgänge („Digital IO“)

Sie können die Grenzwertschalter sowohl mit den IO Link Prozessdaten als auch als digitales IO mit einer Schaltspannung von 24 V (max. 50 mA) ausgeben. Wünschen Sie dies, so müssen Sie die digitalen Schaltausgänge einem Limit -Switch zuweisen. Öffnen Sie hierzu das Menü „Digital IO“

- „DI/DO pin function“ bestimmt, welcher Grenzwertschalter auf PIN 2 des Steckers gelegt wird. Dieser digitale Ausgang steht immer zur Verfügung, wenn das Gerät in Betrieb ist
- „C/Q pin function in SIO-mode“ bestimmt, welcher Grenzwert auf PIN 4 des Steckers gelegt wird, wenn das Gerät im SIO-Mode betrieben wird. SIO Mode bedeutet, dass die Kraftmesskette an keinem IO-Link Master angeschlossen ist, oder der IO-Link-Master im SIO Mode betrieben wird. Die Umschaltung der Kraftmesskette des PIN 4 von Datenübertragung auf digitalen Schaltausgang erfolgt automatisch. Bitte beachten Sie, dass in diesem Betriebszustand zwei Schaltausgänge zur Verfügung stehen, dafür aber keine Messdaten oder andere Prozessdaten übertragen werden.

Index (hex)	Sub-index (hex)	Permissions	Data Type	Data Size bytes	Description	Beschreibung
0x0DAD	0x00	ReadWrite	UIntegerT	1	DO/DI (I/Q) pin mode	Auswahl des Switching Channels, der auf PIN 2 gelegt werden soll
0x0DAE	0x00	ReadWrite	UIntegerT	1	C/Q SIO pin mode	Auswahl des Switching Channels, der auf PIN 4 gelegt werden soll

### 8.3.10 Statische Funktionen (Statistics)

Bei den nachfolgenden Funktionen ist es wichtig zu beachten, dass zur Bewertung des Signals die interne Abtaststrate genutzt wird. Da die Elektronik mit 40.000 mit Messpunkten/s arbeitet, werden auch sehr kurze Lastspitzen erfasst. Bitte beachten Sie, dass Tiefpassfilter, die Sie einstellen, schnelle Lastspitzen unterdrücken können, die dann nicht im Maximalwertspeicher erfasst werden.

Alle folgenden Funktionen werden ständig ausgeführt, und nicht permanent gespeichert, d.h. ein Stromausfall gleicht einem Reset.

#### Maximalkraft-, Minimalkraft-, Spitze-Spitze-Speicher

Die folgenden Funktionen speichern die Werte nicht permanent.

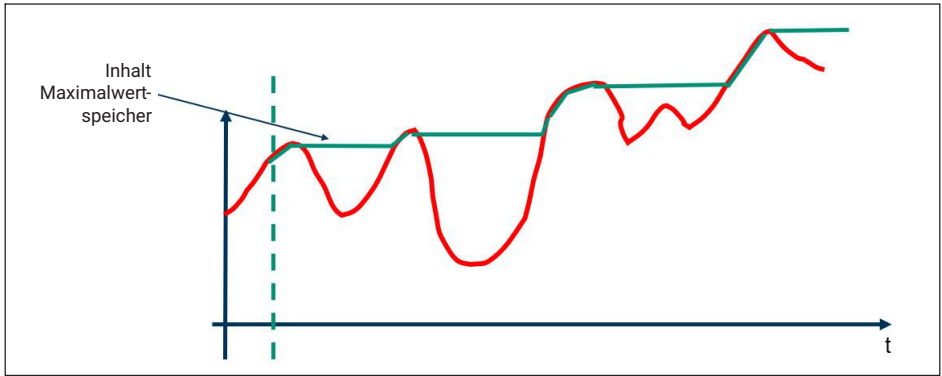


Abb. 8.5 Funktionsweise Maximalwertspeicher

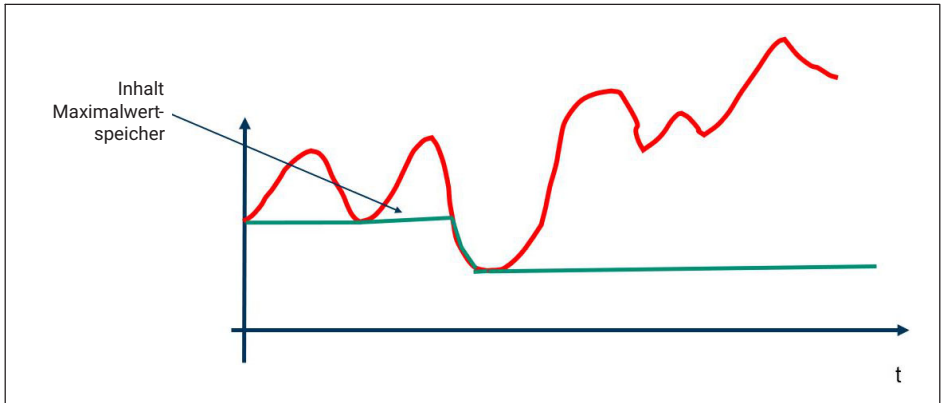


Abb. 8.6 Funktionsweise Minimalwertspeicher

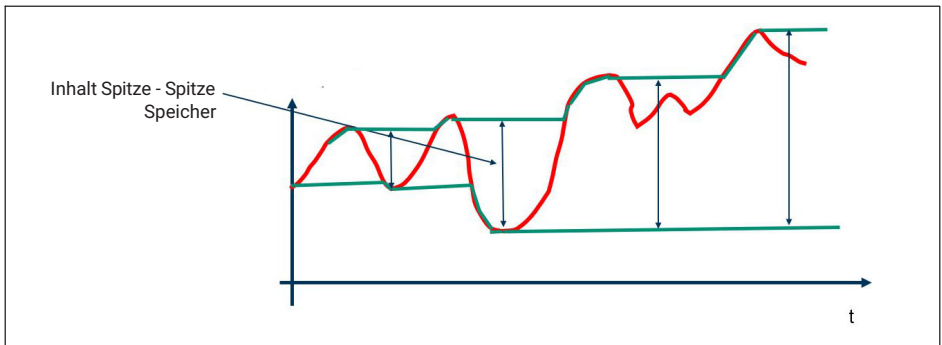


Abb. 8.7 Funktionsweise Spitze-Spitze-Speicher

Weiterhin werden kontinuierlich arithmetischer Mittelwert, Standardabweichung und Anzahl der Messwerte seit dem letzten Reset (in interner Messdatenrate) erfasst.

Alle Werte können über einen gemeinsamen Reset-Befehl zurückgesetzt werden (durch Schreiben des System Command Codes 209 an Index 0x0002, siehe Abschnitt „System Command“).

Index (hex)	Sub-index (hex)	Permissions	Data Type	Data Size bytes	Description	Beschreibung
0x0D49	0x00	ReadOnly	UInteger T	8	statistic1 n	Anzahl der Messwerte seit dem letzten Reset
0x0D4A	0x00	ReadOnly	Float32T	4	statistic1 last_value	Der aktuelle Messwert als Stichprobe, der als Eingabe für die Statistik-Berechnungen dient.
0x0D4B	0x00	ReadOnly	Float32T	4	statistic1 min_value	Minimalwert
0x0D4C	0x00	ReadOnly	Float32T	4	statistic1 max_value	Maximalwert
0x0D4D	0x00	ReadOnly	Float32T	4	statistic1 pp_value	Spitze-Spitze-Wert
0x0D4E	0x00	ReadOnly	Float32T	4	statistic1 mean_value	Mittelwert
0x0D4F	0x00	ReadOnly	Float32T	4	statistic1 stddev_value	Standardabweichung

Index (hex)	Sub-index (hex)	Permissions	Data Type	Data Size bytes	Description	Value (dezimal)	Beschreibung
0x0002	0x00	Write	UINT	1	Statistics reset	209	Erfassung der statistischen Werte neu starten

### 8.3.11 Alarmer (IO-LINK Events)

Die Elektronik überwacht den Sensor und vergleicht die mechanischen und thermischen Belastungen ständig mit den Grenzwerten der Kraftmessdose, im Fall der thermischen Überwachung auch mit den Grenzwerten der elektronischen Komponenten.

Die Elektronik nutzt für die Bewertung der mechanischen Belastung eine sehr hohe Abtastrate. Auch sehr kurze Kraftspitzen werden erfasst und führen im Falle einer Überschreitung der Grenzwerte zu einer Meldung. Da die Ausgabe der Messwerte über die digitale Datenschnittstelle/IO-Link Verbindung mit geringerer Datenrate erfolgt, ist es möglich, dass Sie einen Kraftwert, der als Überlastung registriert wurde, in den Messdaten nicht finden können.

Zu Bewertung der Überschreitung der Nennkraft / Gebrauchskraft werden die nicht nullgesetzten und nur hochfrequent gefilterten Messwerte genutzt, d.h. Nullsetzen hat keinen Einfluss auf die Überwachungsfunktionen.

Im Fall einer Überschreitung der unten erklärten Parameter wird immer ein IO-Link Event erzeugt. Der Master überträgt das Event in die Feldbusebene zur weiteren Auswertung.

Einige Alarmer können Sie abschalten (z.B. wenn Sie die Messkette im Gebrauchskraftbereich betreiben). Abschaltbare Alarmer heißen im Folgenden „Warnung“-Alarmer. Alarmer die Sie nicht abschalten können heißen „Error“. „Error“ und „Warnungen“ bleiben so lange aktiv, wie ein Zustand außerhalb des zulässigen Bereichs arbeitet (z.B. Elektronik arbeitet außerhalb des Temperaturbereichs). Sobald dieser Zustand sich so ändert, dass das Gerät wieder im zulässigen Bereich arbeitet, verschwinden „Errors“ und „Warnungen“. Die Meldungen erscheinen nur kurz.

Auslöser	Art des Events	Anmerkung	EVENT ID	Beschreibung
Temperaturfehler	Error		16384	0x4000 /><!-- "Temperature fault" -->0x4000 Temperature fault – Overload Failure
Betrieb oberhalb des zulässigen Temperaturbereichs des Inline-Verstärkers	Warnung		16912	0x4210 /><!-- "Temperature overrun" -->0x4210 Device temperature overrun – Clear source of heat Out-of-Specification
Betrieb unterhalb des zulässigen Temperaturbereichs des Inline-Verstärkers	Warnung		16928	0x4220 /><!-- "Temperature underrun" -->0x4220 Device temperature underrun – Insulate DeviceOut-of-Specification



Auslöser	Art des Events	Anmerkung	EVENT ID	Beschreibung
Parameterfehler	Error		25376	0x6320 /><!-- "Parameter error" -->0x6320 Parameter error – Check data sheet and valuesFailure
Überschreitung Nennkraft	Warnung		6145	0x1801 type="Warning">Nominal Limit Exceeded – Maximum nominal push force was overrun
Unterschreitung Nennkraft	Warnung	Bitte beachten Sie, dass bei Zug-/Druckkraftsensoren (z.B. U9C) dieses Event ausgelöst wird, wenn der Nennbereich der Zugkraft verlassen wird.	6146	0x1802 type="Warning">Nominal Limit Exceeded – Maximum nominal pull force was overrun
Überschreitung Gebrauchskraftbereich	Warnung		6147	0x1803 type="Warning">Usage Limit Exceeded – Maximum usage push force was overrun
Unterschreitung Gebrauchskraftbereich	Warnung	Bitte beachten Sie, dass bei Zug-/Druckkraftsensoren (z.B. U9C) dieses Event ausgelöst wird, wenn der Gebrauchsbereich der Zugkraft verlassen wird.	6148	0x1804 type="Warning">Usage Limit Exceeded – Maximum usage pull force was overrun

Auslöser	Art des Events	Anmerkung	EVENT ID	Beschreibung
Zulässige Schwingbreite wurde überschritten, 10 % der dynamischen Überlastreserve erreicht.	Meldung		6161	0x1811 type="Notification">10% Oscillation Bandwidth – The sensor reached 10% of it's rated oscillation strength
Zulässige Schwingbreite wurde überschritten, 20 % der dynamischen Überlastreserve erreicht.	Meldung		6162	0x1812 type="Notification">20% Oscillation Bandwidth – The sensor reached 20% of it's rated oscillation strength
Zulässige Schwingbreite wurde überschritten, 30 % der dynamischen Überlastreserve erreicht.	Meldung		6163	0x1813 type="Notification">30% Oscillation Bandwidth – The sensor reached 30% of it's rated oscillation strength
Zulässige Schwingbreite wurde überschritten, 40 % der dynamischen Überlastreserve erreicht.	Meldung		6164	0x1814 type="Notification">40% Oscillation Bandwidth – The sensor reached 40% of it's rated oscillation strength
Zulässige Schwingbreite wurde überschritten, 50 % der dynamischen Überlastreserve erreicht.	Meldung		6165	0x1815 type="Notification">50% Oscillation Bandwidth – The sensor reached 50% of it's rated oscillation strength

Auslöser	Art des Events	Anmerkung	EVENT ID	Beschreibung
Zulässige Schwingbreite wurde überschritten, 60 % der dynamischen Überlastreserve erreicht.	Meldung		6166	0x1816 type="Notification">60% Oscillation Bandwidth – The sensor reached 60% of it's rated oscillation strength
Zulässige Schwingbreite wurde überschritten, 70 % der dynamischen Überlastreserve erreicht.	Meldung		6167	0x1817 type="Notification">70% Oscillation Bandwidth – The sensor reached 70% of it's rated oscillation strength
Zulässige Schwingbreite wurde überschritten, 80 % der dynamischen Überlastreserve erreicht.	Meldung		6168	0x1818 type="Notification">80% Oscillation Bandwidth – The sensor reached 80% of it's rated oscillation strength
Zulässige Schwingbreite wurde überschritten, 90 % der dynamischen Überlastreserve erreicht.	Meldung		6169	0x1819 type="Notification">90% Oscillation Bandwidth – The sensor reached 90% of it's rated oscillation strength
Zulässige Schwingbreite wurde überschritten und die dynamische Überlastreserve ist aufgebraucht. Es besteht die Gefahr, dass der Sensor ausfällt.	Warnung		6170	0x1820 type="Warning">100% Oscillation Bandwidth – The sensor reached 100% of it's rated oscillation strength

Index (hex)	Sub-index (hex)	Permissions	Data Type	Data Size bytes	Description	Beschreibung
0x0080	0x00	ReadOnly	Float32T	4	Max. Nennkraft (Druck) des Kraftaufnehmer	Nominal capacity
0x0081	0x00	ReadOnly	Float32T	4	Min. Nennkraft (Zug) des Kraftaufnehmer	Nominal lower force limit
0x0082	0x00	ReadOnly	Float32T	4	Maximale Gebrauchskraft (Druck) des Kraftaufnehmer	Max. Gebrauchskraft
0x0083	0x00	ReadOnly	Float32T	4	Minimale Gebrauchskraft (Zug) des Kraftaufnehmer	Min. Gebrauchskraft
0x0056	0x00	ReadOnly	Float32T	4	Oberer Grenzwert für die Temperatur der Elektronik	Board Temp Upper Limit in degC
0x0057	0x00	ReadOnly	Float32T	4	Hysterese für die oberen Grenzwerte der Temperaturen	Board Temp Upper Hysteresis in degC
0x0058	0x00	ReadOnly	Float32T	4	Unterer Grenzwert für die Temperatur der Elektronik	Board Temp Lower Limit in degC
0x0059	0x00	ReadOnly	Float32T	4	Hysterese für die unteren Grenzwerte der Temperaturen	Board Temp Lower Hysteresis in degC
0x005E	0x00	ReadOnly	Float32T	4	Oberer Grenzwert für die Microprozessor-Temperatur	Core Temp Upper Limit in degC
0x005F	0x00	ReadOnly	Float32T	4	Unterer Grenzwert für die Microprozessor-Temperatur	Core Temp Lower Limit in degC

Index (hex)	Sub-index (hex)	Permissions	Data Type	Data Size bytes	Description	Beschreibung
0x005A	0x00	ReadOnly	Float32T	4	Obere Grenze für die Nominaltemperatur des Kraftaufnehmers	Sensor Temp Nominal Upper Limit in degC
0x005B	0x00	ReadOnly	Float32T	4	Untere Grenze für die Nominaltemperatur des Kraftaufnehmers	Sensor Temp Nominal Lower Limit in degC
0x005C	0x00	ReadOnly	Float32T	4	Obere Grenze für die Gebrauchstemperatur des Kraftaufnehmers	Sensor Temp Usage Upper Limit in degC
0x005D	0x00	ReadOnly	Float32T	4	Untere Grenze für die Gebrauchstemperatur des Kraftaufnehmers	Sensor Temp Usage Lower Limit in degC

### 8.3.12 Zusatzinformationen („Diagnostics“)

In diesem Menüpunkt können Sie zusätzliche Messwerte auslesen:

- Aktuelle Versorgungsspannung (Supply Voltage)
- Prozessortemperatur (Processor Temperature)
- Temperatur der Leiterplatte (Mainboard Temperature)
- Schwingbreiten-Score (siehe unten)

Der Schwingbreiten-Score wird in % angegeben und gibt Ihnen eine Vorhersage, wie lange der Sensor die gegebene dynamische Amplitudenbelastung standhält.

Betreiben Sie den Sensor innerhalb der zulässigen (dauerfesten) Schwingbreite, so wird dieser Score nicht hochgezählt. Übersteigt der Spitze-Spitze Kraftwert ihrer Anwendung die gegebene Schwingbreite, so errechnet das System einen Schätzwert, der angibt, wie lange der Sensor unter den gegebenen Belastungen weiterarbeiten kann. Bei Erreichen von 100 % ist von einer Schädigung auszugehen, die es erforderlich macht, den Sensor zu tauschen.



#### Tip

*Verwenden Sie einen Sensor mit größerer Nennkraft, wenn Sie bemerken, dass der Score sich ändert, oder Sie ein IO-Link EVENT mit entsprechender Warnung erhalten.*

Index (hex)	Sub-index (hex)	Perimissions	Data Type	Data Size bytes	Description	Beschreibung
0x0088	0x00	ReadOnly	Float32T	4	Schwingbreite des Sensors	Relative Schwingbreite (peak-to-peak)
0x0303	0x00	ReadOnly	UINT64	8	Anzahl Überlastungen der Schwingbreite	Oscillation bandwidth score

Weiterhin stehen ihnen statistische Informationen zur Verfügung, die nicht permanent gespeichert werden.

- Anzahl der IO-LINK-Verbindungsunterbrechungen (IO Link reconnections)
- Betriebsstunden seit Einschalten (Device Uptime)

Permanent gespeichert werden folgende Informationen, die Sie auslesen können. Sie können diese Daten nicht löschen oder ändern.

- Anzahl der Reboots (Reboot-Counter). Dieser kann Null gesetzt werden, um zu beobachten, wie oft die Messkette neu gestartet wird.
- Die größte gemessene Druckkraft
- Die größte gemessene Zugkraft
- Anzahl der IO-Link Events „Überschreitung Schwingbreite“
- Höchste gemessene Temperatur der Leiterplatte
- Niedrigste gemessene Temperatur der Leiterplatte

Index (hex)	Sub-index (hex)	Perimissions	Data Type	Data Size bytes	Description	Beschreibung
0x00FD	0x00	ReadOnly	UIntegerT	2	IO-Link reconnect counter	Anzahl der IO-LINK-Verbindungsunterbrechungen, seit Einschalten
0x1215	0x00	ReadOnly	Float32T	4	Betriebsstunden seit Einschalten	In Stunden, als Fließkommazahl
0x1214	0x00	Read and Write	UInteger32T	4	Anzahl der Neustarts der Messkette	Kann vom Anwender auf Null gesetzt werden.

Index (hex)	Sub-index (hex)	Permissions	Data Type	Data Size bytes	Description	Beschreibung
0x0053	0x00	ReadOnly	Float32T	4	Aktuelle Temperatur der Elektronik	Board Temp in degC
0x0055	0x00	ReadOnly	Float32T	4	Aktuelle Temperatur des Microprozessors	Core Temp in degC
0x0075	0x00	ReadOnly	Float32T	4	Aktuelle Versorgungsspannung	Supply Voltage in V

## Reset Funktionen

Es stehen 4 Reset Funktionen zur Verfügung. Alle Reset-Funktionen werden durch ein entsprechendes System Command (siehe Abschnitt „System Command“) ausgelöst.

### 1. Device Reset

Der Sensor startet neu. Bitte beachten Sie, dass die Minimal- und Maximalwerte wie alle anderen statistischen Informationen (Peak-Peak) verloren gehen. Alle anderen Einstellungen und Parameter bleiben erhalten.

### 2. Application Reset

Der Sensor startet nicht neu. Folgende Parameter werden auf Werkseinstellung, bzw. auf Null zurückgesetzt:

- Filtereinstellungen
- Schaltpunkte und Hysterese der Grenzwertschalter
- Teach Funktion der Grenzwertschalter
- Nullstellwert
- Eventuell gewählte Umrechnung in eine andere Einheit (Messung erfolgt wieder in N)
- Minimal- und Maximalwerte wie alle anderen statistischen Informationen (Peak – Peak) verloren gehen.
- Einstellungen zu den digitalen Ein- und Ausgängen
- Deaktivierung der Nominal-Überlast-Warnungen wird aktiviert

### 3. Restore Factory Reset

Der Sensor startet nicht neu. Zusätzlich zu den in Application Reset genannten Parametern werden die Eingaben in den Feldern „Application Tag“, „Function Tag“ und „Location Tag“ zurückgesetzt.

Außerdem wird eine eventuell im Sensor eingegebene Linearisierung (Kalibrierschein) gelöscht.

#### 4. Back to box

Alle Parameter gehen verloren. Eventuelle Überlastungen bleiben weiterhin gespeichert. Der Sensor geht in den Auslieferungszustand über. Außerdem wird eine eventuell im Sensor eingegebene Linearisierung (Kalibrierschein) gelöscht.

### System Commands / Systembefehle

Durch den IO-Link Standard sind einige „System Commands“ definiert. Diese Standardbefehle werden durch die Elektronik um weitere anwendungsspezifische Befehle ergänzt.

Index (hex)	Sub-index (hex)	Permissions	Data Type	Data Size bytes	Beschreibung
0x0002	0	Write Only	UINT8	1	System Command

Ein Befehl wird unmittelbar durch Schreiben des zugeordneten Codes an die Variable „System Command“ ausgelöst. Die Elektronik unterstützt die folgenden Befehle:

Code (dezimal)	Funktion	Siehe Kapitel
65	Teach Schalterpunkt Grenzwertschalter 1	7.2.6 Grenzwertschalter
66	Teach Schalterpunkt Grenzwertschalter 2	7.2.6 Grenzwertschalter
128	Device Reset	Reset Funktionen
129	Application Reset	Reset Funktionen
130	Restore factory settings	Reset Funktionen
131	Back-to-box	Reset Funktionen
208	Benutzerdefinierten Nullpunkt-Offset auf Null setzen	7.2.4.1 Nullsetzen
209	Erfassung der statistischen Werte neu starten	7.2.8 Statistische Funktionen

### Quellen

[IO-Link] IO-Link Interface and System, Specification, Version 1.1.3 June 2019, <https://io-link.com/de/Download/Download.php>

[Smart Sensor Profile] IO-Link Profile Smart Sensors 2nd Edition, Specification, Version 1.1 September 2021, <https://io-link.com/de/Download/Download.php>



## 9 ABMESSUNGEN

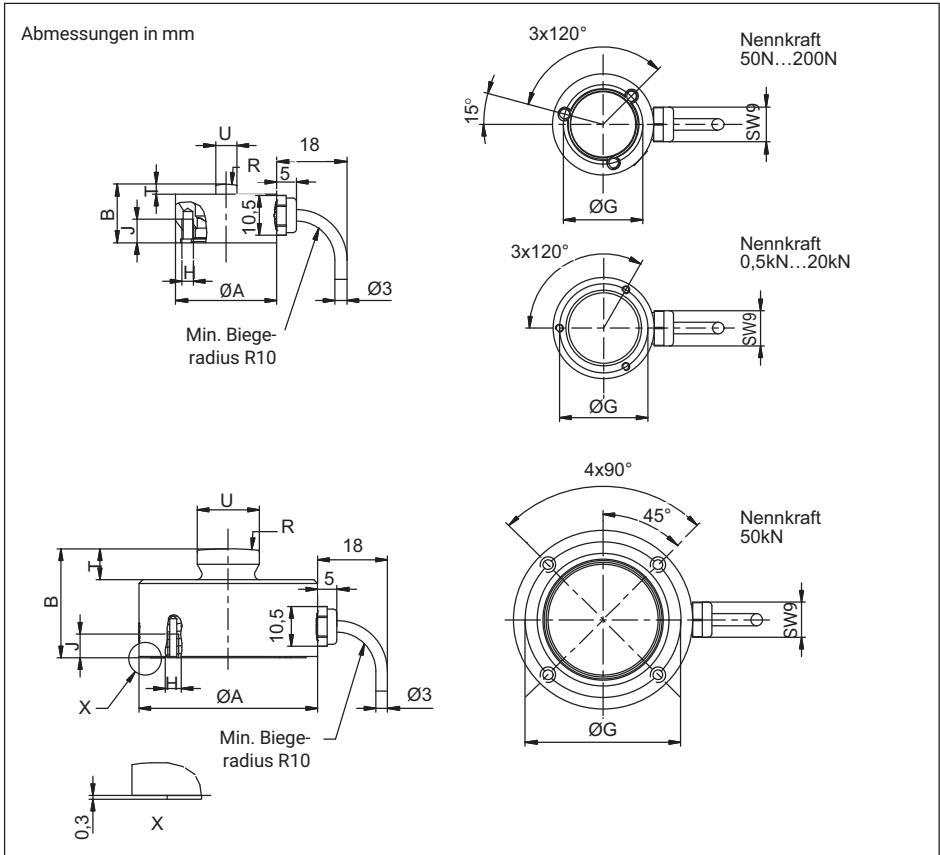


Abb. 9.1 Abmessungen C9C

Nennkraft der C9C	A <sub>-0,1</sub>	B	G <sub>+/-0,1</sub>	H	J	R	T	U <sub>-0,1</sub>	X
	[mm]								
50N ... 200N	26	15	20,5	3 x M3	6	20	2,5	5,5	10,5
0,5 kN ... 20 kN	26	13	22,75	3 x M2	3,5	40	1	8	10,5
50 kN	46	28	40	4 x M4	6	80	8	16	10,5

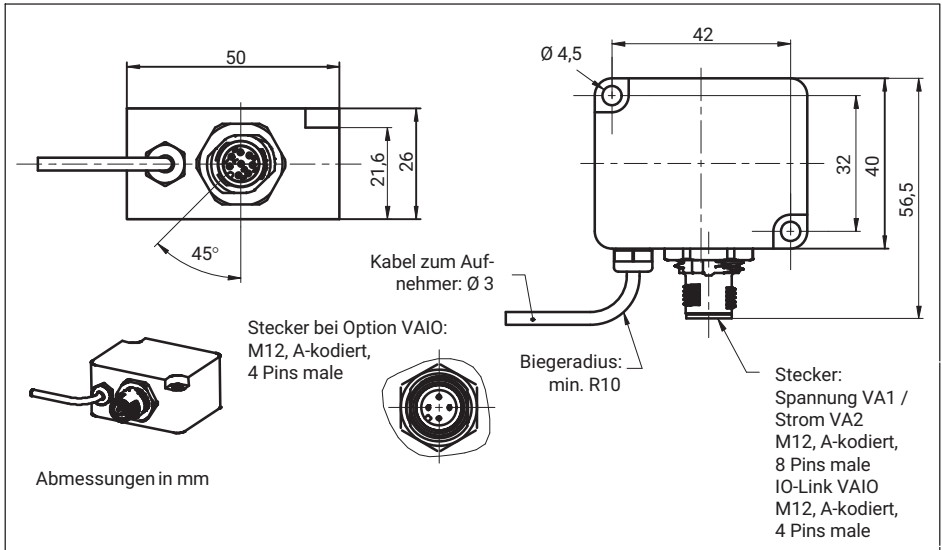


Abb. 9.2 Abmessungen Inline-Verstärkermodul

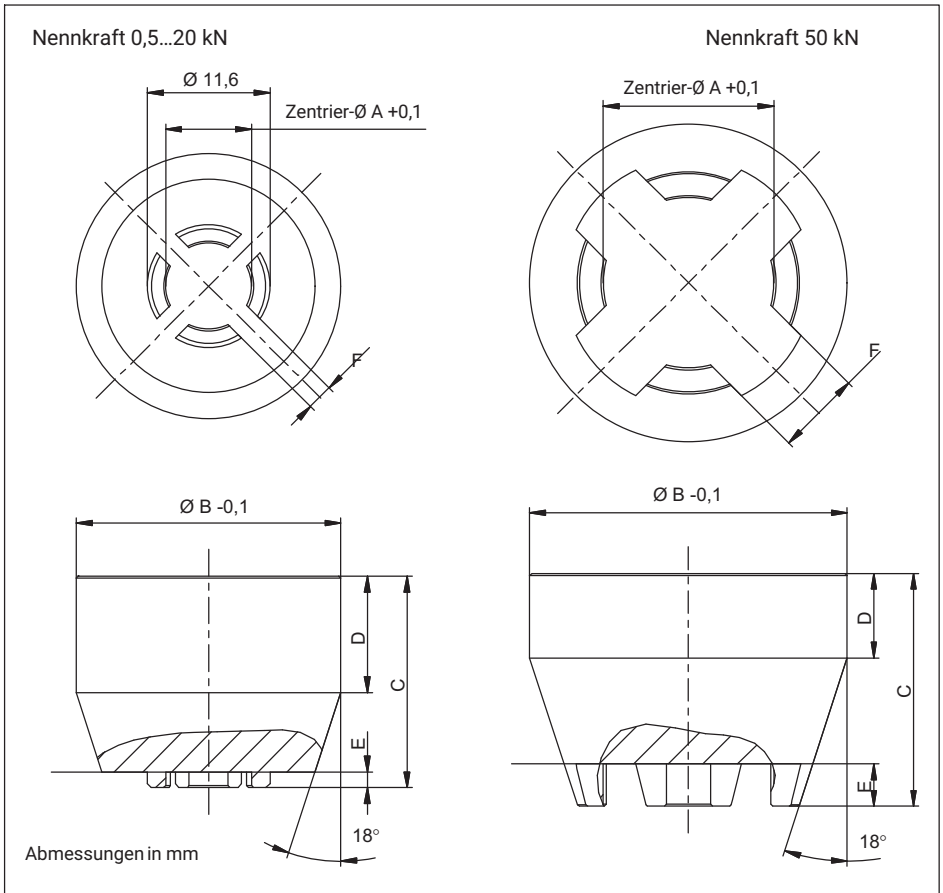


Abb. 9.3 Abmessungen EDO9

EDO9	Kraftbereich	øA	øB	C	D	E	F
		[mm]					
1-EDO9/20kN	0,5 ... 20 kN	8,1	25	20	11	1,5	2,5
1-EDO9/50kN	ab 50 kN	16,1	30	22	8	4	8

## 10 TECHNISCHE DATEN

### Kraftaufnehmer C9C

Nennkraft	$F_{nom}$	N	50	100	200							
		kN				0,5	1	2	5	10	20	50
<b>Genauigkeit</b>												
<b>Genauigkeitsklasse</b>												0,2
<b>Relative Spannweite in unveränderter Einbaulage</b>	$b_{rg}$	%										< 0,2
<b>Relative Umkehrspanne</b>	$v$	%										< 0,2
<b>Linearitätsabweichung</b>	$d_{lin}$	%										< 0,2
<b>Relatives Kriechen</b>	$d_{crf+E}$	%		< 0,2								< 0,1
<b>Temperatureinfluss auf den Kennwert</b>												
Im Nenn-temperaturbereich	$TK_C$	% / 10 K										< 0,2
Im Gebrauchstemperaturbereich												
<b>Temperatureinfluss auf das Nullsignal</b>												
Im Nenntemperaturbereich	$TK_0$	% / 10 K										< 0,2
Im Gebrauchstemperaturbereich												
<b>Elektrische Kennwerte</b>												
<b>Nennkennwert</b>	$C_{nom}$	mV/V										1
<b>Relative Abweichung des Nullsignals</b>	$d_{s,0}$	mV/V										$\pm 0,2$
<b>Kennwertabweichung</b>	$d_c$	%										< 1
<b>Eingangswiderstand</b>	$R_e$	$\Omega$		250 - 400								300 - 450
<b>Ausgangswiderstand</b>	$R_a$	$\Omega$		200 - 400								100 - 450

Nennkraft	F <sub>nom</sub>	N	50	100	200							
		kN				0,5	1	2	5	10	20	50
Isolationswiderstand	R <sub>is</sub>	Ω	> 1*10 <sup>9</sup>									
Gebrauchsbereich der Speisepannung	B <sub>u,gt</sub>	V	0,5....12									
Referenzspeisepannung	U <sub>ref</sub>	V	5									
Anschluss			4-Leiterschaltung									
<b>Temperatur</b>												
Referenztemperatur	t <sub>ref</sub>	°C	23									
Nenntemperaturbereich	B <sub>t,nom</sub>	°C	-10...+70									
Gebrauchstemperaturbereich	B <sub>t,g</sub>	°C	-30...+85									
Lagertemperaturbereich	B <sub>t,S</sub>	°C	-30...+85									
<b>Mechanische Kenngrößen</b>												
Maximale Gebrauchskraft	F <sub>G</sub>	% v. F <sub>nom</sub>	200			120						
Grenzkraft	F <sub>L</sub>	% v. F <sub>nom</sub>	> 200			> 150						
Bruchkraft	F <sub>B</sub>	% v. F <sub>nom</sub>	> 400									
Zulässige Exzentrizität bei Belastung mit Nennkraft	e <sub>g</sub>	mm	2,6	2,5	2,5	3,5	2,6	3,2	1,8	2,0	0,8	2,5
Nennmessweg ± 15%	S <sub>nom</sub>	mm	0,009			0,015	0,019	0,020	0,025	0,040	0,055	0,075
Grundresonanzfrequenz	f <sub>G</sub>	kHz	7,3	10	15,7	3,5	5	7	13	15,1	20	12
Relative zulässige Schwingbeanspruchung	F <sub>rb</sub>	% v. F <sub>nom</sub>	80									70
<b>Maximale Schockbelastung nach IEC 60068-2-6</b>												
Anzahl			1.000									

Nennkraft	F <sub>nom</sub>	N	50	100	200							
		kN				0,5	1	2	5	10	20	50
Dauer		ms	3									
Beschleunigung		m/s <sup>2</sup>	1.000									
<b>Schwingbeanspruchung nach IEC 60068-2-27</b>												
Frequenzbereich		Hz	5 ... 65									
Dauer		min	30									
Beschleunigung		m/s <sup>2</sup>	150									
<b>Allgemeine Angaben</b>												
Schutzart nach EN 60529			IP67									
Federkörperwerkstoff			Stahl									
Messstellenschutz			hermetisch verschweißt									
Kabel			Vierleiterschaltung, PUR - Isolierung									
Kabellänge	m		1,5m; 3m; 5m; 6m; 7m; 12m									
Gewicht	g		55			65						260

### Inline-Verstärker VA1, VA2

Modultyp		VA1	VA2
<b>Genauigkeit</b>			
Genauigkeitsklasse	%	0,15	
Temperatureinfluss auf die Verstärkung	%	0,10	
Relative Linearitätsabweichung	%	0,01	
Temperatureinfluss auf den Nullpunkt	%	0,15	
<b>Elektrische Kennwerte</b>			
Ausgangssignal		0 ... 10 V	4 ... 20 mA
Nennkennwert		10 V	16 mA
Kennwerttoleranz		± 0,1 V	± 0,16 mA
Nullsignal		0 V	4 mA
Bereich des Ausgangssignals		-0,3 ... 11 V	3 ... 21 mA
Grenzfrequenz (-3 dB)	kHz	2	
Versorgungsspannung	V	19 ... 30	

Modultyp		VA1	VA2
Nennversorgungsspannung	V	24	
Maximal Stromaufnahme	mA	15	30
<b>Temperatur</b>			
Nenntemperaturbereich	°C	-10...+50	
Gebrauchstemperaturbereich	°C	-20...+60	
Lagerungstemperaturbereich	°C	-25...+85	
Referenztemperatur	°C	23	
<b>Maximale Schockbelastung nach IEC 60068-2-6</b>			
Anzahl		1.000	
Dauer	ms	3	
Beschleunigung	m/s <sup>2</sup>	1.000	
<b>Schwingbeanspruchung nach IEC 60068-2-27</b>			
Frequenzbereich	Hz	5 ... 65	
Dauer	min	30	
Beschleunigung	m/s <sup>2</sup>	150	
<b>Allgemeine Angaben</b>			
Gehäusematerial		Aluminium	
Gewicht ohne Kabel	g	125	
Maximale Kabellänge für Versorgungsspannung/Ausgangssignal	m	30	
Schutzart nach EN 60529		IP67	

### Inline-Verstärker VAIO

Modultyp		VAIO
<b>Genauigkeit</b>		
Genauigkeitsklasse		0.01
Temperatureinfluss auf die Verstärkung	%/10K	0.01
Temperatureinfluss auf den Nullpunkt	%/10K	0.01

Modultyp		VAIO
<b>Elektrische Kennwerte</b>		
<b>Ausgangssignal; Interface</b>		COM3, Nach IO Link Standard, Class A
<b>Min. Zyklus (max. Ausgaberate)</b>	ms	0,9
<b>Messrate (intern)</b>	S/s	40000
<b>Grenzfrequenz (-3 dB)</b>	kHz	4
<b>Referenzversorgungsspannung</b>	V	24
<b>Bereich der Versorgungsspannung</b>	V	19 - 30
<b>Max. Leistungsaufnahme</b>	mW	3200
<b>Rauschen</b>	ppm von Nennkraft	Mit Besselfilter 1 Hz: 25 Mit Besselfilter 10 Hz: 63 Mit Besselfilter 100 Hz: 195 Mit Besselfilter 200 Hz: 275 Ohne Filter: 3020
<b>Filter</b>		
<b>Tiefpassfilter</b>		Beliebig einstellbare Grenzfrequenz, Bessel- oder Butterworthcharakteristik, 6. Ordnung
<b>Gerätefunktionen</b>		
<b>Grenzwertschalter</b>		2 Grenzwertschalter. Invertierbar, Hysterese beliebig einstellbar. Ausgabe über Prozessdaten oder digitalem Ausgang
<b>Digitale IO</b>		Nach IO Link Smart Sensor Profile, 1 permanent verfügbarer digitaler Ausgang, 1 Ausgang kann auf Datenausgang gelegt werden, dann keine Messung möglich
<b>Schleppzeigerfunktion</b>		Ja
<b>Spitzenwertspeicher</b>		Ja
<b>Peak-Peak-Speicher</b>		Ja
<b>Warnfunktionen</b>		Warnung bei Überschreitung Nennkraft/ Gebrauchskraft; Nenntemperatur/Gebrauchstemperatur



Modultyp		VAIO
<b>Temperatur</b>		
Nenntemperaturbereich	°C	-10 ... +50
Gebrauchstemperaturbereich	°C	-10 ... +60
Lagertemperaturbereich	°C	-25 ... +85
Referenztemperatur	°C	23
<b>Maximale Schockbelastung nach IEC 60068-2-6</b>		
Anzahl		1000
Dauer	ms	3
Beschleunigung	m/s <sup>2</sup>	1000
<b>Maximale Schwingbeanspruchung nach IEC 60068-2-27</b>		
Frequenzbereich	Hz	5 ... 65
Dauer	min	30
Beschleunigung	m/s <sup>2</sup>	150

## 10.1 Ausführungen und Bestellnummern

Code	Messbereich	Bestellnummer
<b>050N</b>	50N	1-C9C/50N
<b>100N</b>	100N	1-C9C/100N
<b>200N</b>	200N	1-C9C/200N
<b>00K5</b>	0.5kN	1-C9C/0.5KN
<b>01k0</b>	1kN	1-C9C/1KN
<b>02k0</b>	2kN	1-C9C/2kN
<b>05k0</b>	5kN	1-C9C/5kN
<b>10k0</b>	10kN	1-C9C/10kN
<b>20k0</b>	20kN	1-C9C/20KN
<b>50k0</b>	50kN	1-C9C/50KN

Die grau markierten Bestellnummern sind Vorzugstypen und kurzfristig lieferbar. Alle Kraftaufnehmer mit 1,5 m Kabel, offenen Enden und ohne TEDS.

Die Bestell-Nr. der Vorzugstypen ist 1-C9C...

Die Bestell-Nr. der kundenspezifischen Ausführungen ist K-C9C.

Das weiter unten gezeigte Bestellnummernbeispiel **K-C9C-05k0-03m0-VAIO-S-IO01** ist ein: C9C, Nennkraft 5 kN, mit 3 m Kabel, Inline-Verstärker mit IO-Link Ausgang

Kabel-länge	Elektrischer Anschluss	Auf-nehmer-identifi-kation	FW-Version
1,5m <b>01m5</b>	Freie Enden <b>Y</b>	Mit TEDS <b>T</b>	keine Firmware <b>N</b>
3m <b>03m0</b>	15 poliger Sub-D-Stecker <b>F</b>	Ohne TEDS <b>S</b>	IO 1.2.0 <b>IO01</b>
5m <b>05m0</b>	Stecker MS3106PEMV <b>N</b>		
6m <b>06m0</b>	15 poliger Sub-HD-Stecker <b>Q</b>		
7m <b>07m0</b>	Mit Inline-Verstärker 0...10 V <b>VA1</b>		
12m <b>12m0</b>	Mit Inline-Verstärker 4...20 mA <b>VA2</b>		
	Mit Inline-Verstärker IO-Link <b>VAIO</b>		

<b>K-C9C-</b>	<b>05k0</b>	<b>03m0</b>	<b>VAIO</b>	<b>S</b>	<b>IO01</b>
---------------	-------------	-------------	-------------	----------	-------------

Alle Kabellängen sind mit allen Steckern kombinierbar.



### **Information**

TEDS können nur in Verbindung mit einer Steckeroption bestellt werden. Die Kombination TEDS und freie Kabelenden ist nicht möglich.

Die Ausführungen mit Inline-Verstärkern (VA1, VA2 und VAIO) können nur mit Kabellängen 1,5 m und 3 m kombiniert werden, TEDS steht für diese Messketten nicht zur Verfügung.

