

ENGLISH    DEUTSCH    FRANÇAIS

# Mounting Instructions Montageanleitung Notice de montage



## PW27AP

Hottinger Brüel & Kjaer GmbH  
Im Tiefen See 45  
D-64293 Darmstadt  
Tel. +49 6151 803-0  
Fax +49 6151 803-9100  
info@hbkworl.com  
www.hbkworl.com

Mat.: 7-0201.0003-1  
DVS: A05202 02 Y00 02  
06.2023

© Hottinger Brüel & Kjaer GmbH

Subject to modifications.  
All product descriptions are for general information only. They are not to be understood as a guarantee of quality or durability.

Änderungen vorbehalten.  
Alle Angaben beschreiben unsere Produkte in allgemeiner Form. Sie stellen keine Beschaffenheits- oder Haltbarkeitsgarantie dar.

Sous réserve de modifications.  
Les caractéristiques indiquées ne décrivent nos produits que sous une forme générale. Elles n'impliquent aucune garantie de qualité ou de durabilité.

ENGLISH    DEUTSCH    FRANÇAIS

## Mounting Instructions



# PW27AP

# TABLE OF CONTENTS

---

<b>1</b>	<b>Safety instructions</b> .....	<b>3</b>
<b>2</b>	<b>Markings used</b> .....	<b>6</b>
2.1	The markings used in this document .....	6
2.2	Symbols on the product .....	6
<b>3</b>	<b>Conditions on site</b> .....	<b>7</b>
3.1	Protection against corrosion .....	7
3.2	Cleaning .....	7
3.3	Deposits .....	7
<b>4</b>	<b>Mechanical installation</b> .....	<b>8</b>
4.1	Important precautions during installation .....	8
4.2	Mounting .....	8
<b>5</b>	<b>Electrical connection</b> .....	<b>10</b>
5.1	Connection in a six-wire configuration .....	10
5.2	Connection in a four-wire configuration .....	10
5.3	Shortening the cable .....	11
5.4	Extension cable .....	11
5.5	Parallel connection .....	11
5.6	EMC protection .....	11
<b>6</b>	<b>Dimensions</b> .....	<b>13</b>
<b>7</b>	<b>Accessories</b> .....	<b>14</b>
<b>8</b>	<b>Specifications</b> .....	<b>16</b>

# 1 SAFETY INSTRUCTIONS

---

## Appropriate use

Load cells of the PW27AP... type series are designed for technical weighing applications within the load limits stipulated in the specifications. Any other use is not appropriate.

Load cells may only be installed by qualified personnel in compliance with the specifications and with the safety requirements and regulations of these mounting instructions. It is also essential to observe the applicable legal and safety regulations for the application concerned. The same applies to the use of accessories.

Load cells are not intended for use as safety components. Please also follow the instructions in the "Additional safety precautions" section. Proper and safe operation of the load cells requires proper transportation, correct storage, siting and mounting, and careful operation.

## Load carrying capacity limits

The data in the technical data sheets must be complied with when using the load cells. In particular, the respective maximum loads specified must never be exceeded. The values stated in the technical data sheets must not be exceeded, for example, for

- Limit load
- Limit load at max. eccentricity
- Limit lateral loading
- Breaking loads
- Temperature limits
- Limits of electrical loading capacity

Note, that when several load cells are installed in a scale, there is not always an even distribution of load on the individual load cells.

## Use as a machine element

The load cells can be used as machine elements. When used in this manner, it must be noted that, to favor greater sensitivity, the load cell is not designed with the safety factors usual in mechanical engineering. Please refer here to the section "Load carrying capacity limits" and to the specifications.

## Accident prevention

The prevailing accident prevention regulations must be taken into account, even though the maximum capacity values in the destructive range are well in excess of the full scale value.

### **Additional safety precautions**

Load cells cannot (as passive transducers) implement any (safety-relevant) cutoffs. This requires additional components and constructive measures for which the installer and operator of the plant is responsible.

In cases where a breakage or malfunction of the load cells would cause injury to persons or damage to equipment, the user must take appropriate additional safety measures that meet at least the requirements of applicable safety and accident prevention regulations (e.g. automatic emergency shutdown, overload protection, catch straps or chains, or other fall protection).

The electronics conditioning the measurement signal should be designed so that measurement signal failure does not cause damage.

### **General dangers of failing to follow the safety instructions**

Load cells are state-of-the-art and reliable. There may be risks involved if the transducers are mounted, sited, installed and operated inappropriately, or by untrained personnel. Everyone involved with siting, starting up, operating or repairing a load cell must have read and understood the mounting instructions and in particular the technical safety instructions. The load cells can be damaged or destroyed by non-designated use of the load cells or by non-compliance with the mounting and operating instructions, these safety instructions or any other applicable safety regulations (BG safety and accident prevention regulations) when using the load cells. Load cells can break, particularly in the case of overloading. The breakage of a load cell can also cause damage to property or injury to persons in the vicinity of the load cell.

If load cells are not used according to their designated use, or if the safety instructions or specifications in the mounting and operating instructions are ignored, it is also possible that the load cells may fail or malfunction, with the result that persons or property may be affected (due to the loads acting on or being monitored by the load cells).

The scope of supply and performance of the transducer covers only a small area of weighing technology, as measurements with (resistive) strain gauge sensors presuppose the use of electronic signal conditioning. In addition, equipment planners, installers and operators should plan, implement and respond to the safety engineering considerations of the weighing technology in such a way as to minimize residual dangers. Pertinent national and local regulations must be complied with.

### **Conversions and modifications**

The transducer must not be modified from the design or safety engineering point of view except with our express agreement. Any modification shall exclude all liability on our part for any damage resulting therefrom.

### **Maintenance**

PW27AP... load cells are maintenance free.

## **Selling on**

If the load cell is sold on, these mounting instructions must be included with the load cell.

## **Environmental protection, disposal**

In accordance with national and local environmental protection, material recovery and recycling regulations, old transducers that can no longer be used must be disposed of separately and not with normal household waste.

If you need more information about disposal, please contact your local authorities or the dealer from whom you purchased the product.

## **Qualified personnel**

Qualified personnel means persons entrusted with siting, mounting, starting up and operating the product, who possess the appropriate qualifications for their function.






This includes people who meet at least one of the three following requirements:

1. Knowledge of the safety concepts of automation technology is a requirement and as project personnel, you must be familiar with these concepts.
2. As automation plant operating personnel, you have been instructed how to handle the machinery. You are familiar with the operation of the equipment and technologies described in this documentation.
3. As system startup engineers or service engineers, you have successfully completed the training to qualify you to repair the automation systems. You are also authorized to ground and label circuits and equipment and place them in operation in accordance with safety engineering standards.

## 2 MARKINGS USED

### 2.1 The markings used in this document

Important instructions for your safety are specifically identified. It is essential to follow these instructions in order to prevent accidents and damage to property.

Symbol	Significance
 <b>WARNING</b>	This marking warns of a <i>potentially</i> dangerous situation in which failure to comply with safety requirements <i>can</i> result in death or serious physical injury.
 <b>CAUTION</b>	This marking warns of a <i>potentially</i> dangerous situation in which failure to comply with safety requirements <i>can</i> result in slight or moderate physical injury.
<b>Notice</b>	This marking draws your attention to a situation in which failure to comply with safety requirements <i>can</i> lead to damage to property.
 <b>Important</b>	This marking draws your attention to <i>important</i> information about the product or about handling the product.
 <b>Tip</b>	This marking indicates application tips or other information that is useful to you.
 <b>Information</b>	This marking draws your attention to information about the product or about handling the product.
<i>Emphasis</i> See ...	Italics are used to emphasize and highlight text and identify references to sections, diagrams, or external documents and files.

### 2.2 Symbols on the product

#### CE mark



The CE mark enables the manufacturer to guarantee that the product complies with the requirements of the relevant EC directives (the declaration of conformity is available at <http://www.hbm.com/HBMdoc>).



## 3 CONDITIONS ON SITE

---

Series PW27AP load cells are hermetically encapsulated and are therefore not at all sensitive to the influence of moisture and humidity. The transducers attain protection class IP68 (test conditions: 100 hours under 1 m water column) and IP69K (water at high pressure, steam cleaner), as per DIN EN60529. Nevertheless, the load cells must be protected against constant humidity and moisture.

### 3.1 Protection against corrosion

The load cell must be protected against chemicals that could attack the transducer body steel, or the cable.

#### Notice

*Acids and all substances that release ions also attack stainless steels and their welded seams.*

*Should there be any corrosion, this could cause the transducer to fail. If this is the case, you must provide appropriate means of protection.*

---

### 3.2 Cleaning

The load cell has been designed according to the EHEDG design guidelines to allow for easy, mild cleaning. When mounting the load cell, make certain it can be reached from all sides for cleaning. Cleaning can be performed without dismounting the load cell and should be done regularly. The surface of the load cell must not be damaged with sharp-edged brushes during cleaning.

### 3.3 Deposits

Dust, dirt and other foreign matter must not be allowed to accumulate sufficiently to divert some of the measuring force onto the housing, thus invalidating the measured value (force shunt).

## 4 MECHANICAL INSTALLATION

---

### 4.1 Important precautions during installation

- Handle the transducer with care.
- Welding currents must not be allowed to flow over the transducer. If there is a risk that this might happen, you must provide a suitable low-ohm connection to electrically bypass the transducer. HBM provides the highly flexible EEK ground cable for this purpose, for example, that is screwed on above and below the transducer.
- Make sure that the transducer cannot be overloaded.

#### WARNING

*There is a danger of the transducer breaking if it is overloaded. This can cause danger for the operating personnel of the system in which the transducer is installed.*

Implement appropriate safety measures to avoid overloads or to protect against the resulting dangers.

---

#### Notice

*Load cells are precision measuring elements and need to be handled carefully. Dropping or knocking the transducer may cause permanent damage. Make sure that the transducer cannot be overloaded, including while it is being mounted.*

---

### 4.2 Mounting

Attach the load cells at the mounting holes and apply load to the other end. The scope of supply includes two seals for sealing the gap surfaces on the face against microbiological contamination. The screws and tightening torques to be used are given in the following table:

Version	Thread	Max. thread reach	Min. property class	Tightening torque <sup>1)</sup>
Standard	M6	14 mm	8.8	10 N·m
Rustless	M6	14 mm	A2-70 or A4-70	10 N·m

<sup>1)</sup> Recommended value for the specified property class. Please comply with the screw manufacturer's instructions with regard to screw dimensions.

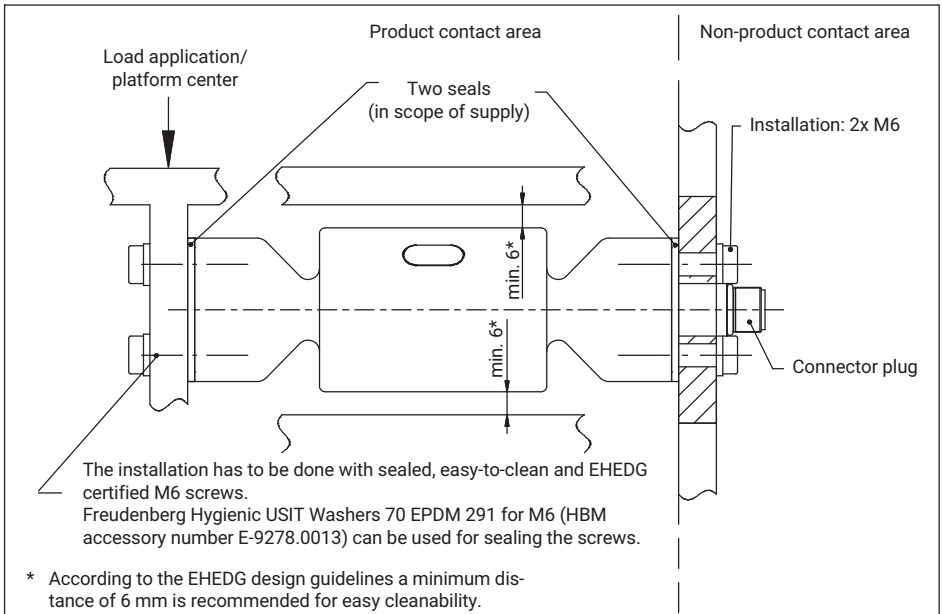


Fig. 4.1 Installation according to hygienic design criteria



**Important**

Load must not be applied to the side where the cable connection is located, as this would cause a force shunt.

## 5 ELECTRICAL CONNECTION

The following can be connected for measurement signal conditioning:

- Carrier-frequency amplifiers
- DC amplifiers

designed for strain gauge measurement systems.

### 5.1 Connection in a six-wire configuration

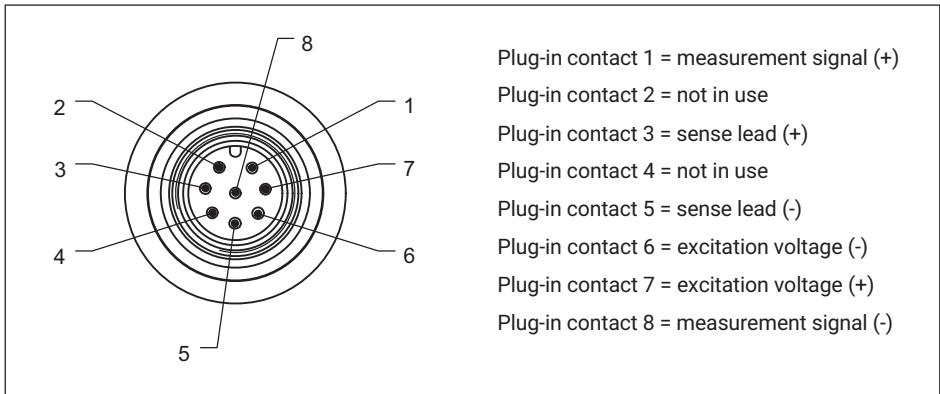


Fig. 5.1 Connector pin assignment

With this connector pin assignment, the output voltage at the measuring amplifier is positive when the transducer is loaded (see Fig. 4.1). The pin assignment for the cables available as accessories can be found in Section 7 on page 14.

### 5.2 Connection in a four-wire configuration

When transducers in a six-wire configuration are connected to amplifiers in a four-wire configuration, the sense leads of the transducer must be connected to the corresponding excitation voltage leads: Marking (+) with (+) and marking (-) with (-), see Fig. 5.1. This measure also reduces the cable resistance of the excitation voltage leads. However, there will be a voltage loss on the supply leads due to the cable resistance that is still present and not compensated for by the six-wire configuration. A large part of this loss can be eliminated by a calibration, however, the temperature-dependent part remains.



## Important

*The  $TK_c$  value given in the specifications for the transducer therefore does not apply for the cable and transducer combination when connection is in a four-wire configuration, where the cable percentage must be added.*

### 5.3 Shortening the cable

If the transducer is connected to an amplifier in a six-wire configuration, the transducer cable can be shortened as required, without adversely affecting the measurement accuracy.

### 5.4 Extension cable

Only use shielded, low-capacitance measurement cables for extending. Ensure that connection is perfect, with a low contact resistance.

The cable of a six-wire transducer can be extended with a cable of the same type.

### 5.5 Parallel connection

Only load cells with an aligned output (nominal (rated) sensitivity and output resistance) are suitable for parallel connection. This option is not available with type PW27AP load cells.

### 5.6 EMC protection

Electrical and magnetic fields often induce interference voltages in the measuring circuit. To ensure reliable measurement, however, the transducer must be able to transmit signal differences of a few  $\mu\text{V}$  to the analysis unit without interference.

## Planning the shielding design

Due to the numerous application options and differing local constraints, we can only provide you with general information on correct connection. The shielding design suitable for your application must be planned locally by an appropriate specialist.

HBM load cells with shielded, round cables are EMC-tested in accordance with the EU Directive and bear the CE mark. Voltage surges as per EN 61000-4-5 can give rise to deviations from the load cell's specified accuracy. These surges in plants are caused by lightning strikes or switching operations in power circuits, for example, and disappear again when interference is no longer active. This is particularly evident with cables over 30 m long or if the equipment is used outdoors. Customers should take additional precautions in these cases.

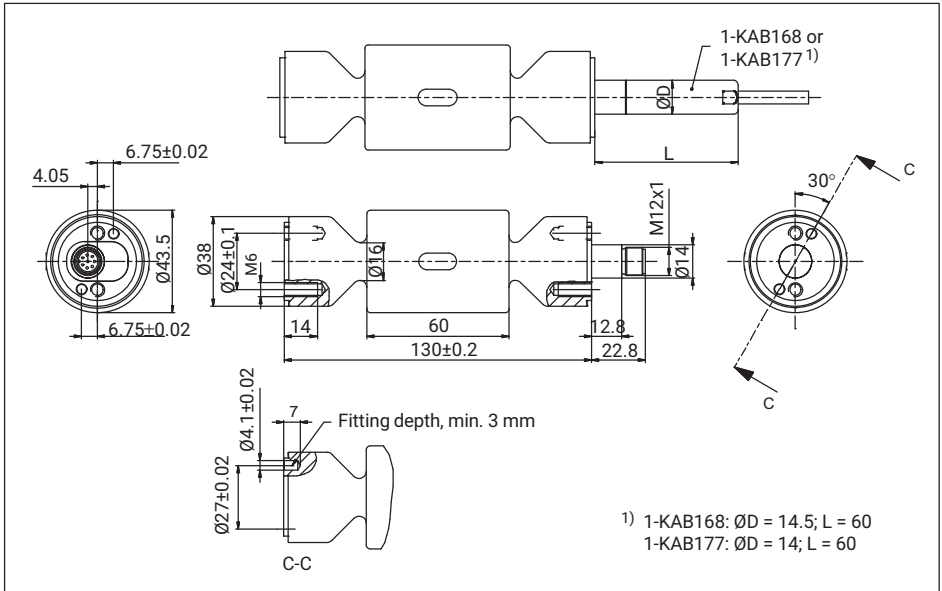
Please note:

- Connect the connecting cable shield all over the surface of the shielding electronics housing. When using several load cells, connect the shields all over the surface of the

junction box (combination of transducer signals, e.g. type VKK2 from HBM). From there, connect the measurement cable for the electronics over the surface of the junction box and the shielding electronics housing.

- The shield of the connecting cable must not be used for discharging potential differences within the system. You must therefore lay sufficiently dimensioned potential equalization lines to compensate for possible potential differences.
- Use shielded low-capacitance measurement cables only (HBM cables fulfill these conditions).
- Do not route measurement cables parallel to electric cables, especially power lines and control circuits. If this is not possible, protect the measurement cable, for example with steel conduits.
- Avoid stray fields from transformers, motors and contact switches.

## 6 DIMENSIONS



## 7 ACCESSORIES



Connection cable	
Connection cable with M12 F connector, 8-pin, TPU IP67, PUR cable sheath, 5 m long	1-KAB168-5
Connection cable with M12 F connector, 8-pin, TPU IP67, PUR cable sheath, 20 m long	1-KAB168-20
Connection cable with M12 F connector, 8-pin, stainless steel IP68/IP69K, hygiene design, 3 m long	1-KAB177-3-1
Connection cable with M12 F connector, 8-pin, stainless steel IP68/IP69K, hygiene design, 6 m long	1-KAB177-6-1

For connection cable specifications, see separate data sheet B3643.

### Pin assignment 1-KAB168

Color code	Connection
White	Measurement signal (+)
Red	Measurement signal (-)
Blue	Excitation voltage (+)
Pink	Excitation voltage (-)
Green	Sense lead (+)
Gray	Sense lead (-)
Yellow	Not in use
Brown	Not in use



## Pin assignment 1-KAB177

Color code	Connection
White	Measurement signal (+)
Red	Measurement signal (-)
Blue	Excitation voltage (+)
Black	Excitation voltage (-)
Green	Sense lead (+)
Gray	Sense lead (-)

### Spare part

One set of replacement seals, consisting of two seals (EPDM), order no. E-9278.0015-1

## 8 SPECIFICATIONS

---



### **Information**

Further product information can be found at [www.hbm.com/pw](http://www.hbm.com/pw).

ENGLISH    DEUTSCH    FRANÇAIS

## Montageanleitung



# PW27AP

# INHALTSVERZEICHNIS

---

<b>1</b>	<b>Sicherheitshinweise</b> .....	<b>3</b>
<b>2</b>	<b>Verwendete Kennzeichnungen</b> .....	<b>6</b>
2.1	In dieser Anleitung verwendete Kennzeichnungen .....	6
2.2	Auf dem Gerät angebrachte Symbole .....	6
<b>3</b>	<b>Bedingungen am Einbauort</b> .....	<b>7</b>
3.1	Korrosionsschutz .....	7
3.2	Reinigung .....	7
3.3	Ablagerungen .....	7
<b>4</b>	<b>Mechanischer Einbau</b> .....	<b>8</b>
4.1	Wichtige Vorkehrungen beim Einbau .....	8
4.2	Montage .....	8
<b>5</b>	<b>Elektrischer Anschluss</b> .....	<b>10</b>
5.1	Anschluss in Sechsheiter-Technik .....	10
5.2	Anschluss in Vierleiter-Technik .....	10
5.3	Kabelkürzung .....	11
5.4	Kabelverlängerung .....	11
5.5	Parallelschaltung .....	11
5.6	EMV-Schutz .....	11
<b>6</b>	<b>Abmessungen</b> .....	<b>13</b>
<b>7</b>	<b>Zubehör</b> .....	<b>14</b>
<b>8</b>	<b>Technische Daten</b> .....	<b>16</b>

## **Bestimmungsgemäße Verwendung**

Die Wägezellen der Typenreihe PW27AP... sind für wägetechnische Anwendungen im Rahmen der durch die technischen Daten spezifizierten Belastungsgrenzen konzipiert. Jeder andere Gebrauch ist nicht bestimmungsgemäß.

Die Wägezellen dürfen nur von qualifiziertem Personal ausschließlich entsprechend der technischen Daten unter Beachtung der Sicherheitsbestimmungen und Vorschriften dieser Montageanleitung eingesetzt werden. Zusätzlich sind die für den jeweiligen Anwendungsfall geltenden Rechts- und Sicherheitsvorschriften zu beachten. Sinngemäß gilt dies auch bei Verwendung von Zubehör.

Die Wägezellen sind nicht zum Einsatz als Sicherheitsbauteile bestimmt. Bitte beachten Sie hierzu den Abschnitt „Zusätzliche Sicherheitsvorkehrungen“. Der einwandfreie und sichere Betrieb der Wägezellen setzt sachgemäßen Transport, fachgerechte Lagerung, Aufstellung und Montage sowie sorgfältige Bedienung voraus.

## **Belastbarkeitsgrenzen**

Beim Einsatz der Wägezellen sind die Angaben in den technischen Datenblättern unbedingt zu beachten. Insbesondere dürfen die jeweils angegebenen Maximalbelastungen keinesfalls überschritten werden. Nicht überschritten werden dürfen z. B. die in den technischen Datenblättern angegebenen Werte für

- Grenzlast
- Grenzlast bei max. Exzentrizität
- Grenzquerbelastung
- Bruchlasten
- Temperaturgrenzen
- Grenzen der elektrischen Belastbarkeit

Beachten Sie, dass beim Einbau mehrerer Wägezellen in eine Waage die Lastverteilung auf die einzelnen Wägezellen nicht immer gleichmäßig ist.

## **Einsatz als Maschinenelemente**

Die Wägezellen können als Maschinenelemente eingesetzt werden. Bei dieser Verwendung ist zu beachten, dass die Wägezellen zu Gunsten einer hohen Messempfindlichkeit nicht mit den im Maschinenbau üblichen Sicherheitsfaktoren konstruiert wurden. Beachten Sie hierzu den Abschnitt „Belastbarkeitsgrenzen“ und die technischen Daten.

## **Unfallverhütung**

Obwohl die angegebene Nennlast im Zerstörungsbereich ein Mehrfaches vom Messbereichsendwert beträgt, müssen die einschlägigen Unfallverhütungsvorschriften der Berufsgenossenschaften berücksichtigt werden.

## **Zusätzliche Sicherheitsvorkehrungen**

Die Wägezellen können (als passive Aufnehmer) keine (sicherheitsrelevanten) Abschaltungen vornehmen. Dafür bedarf es weiterer Komponenten und konstruktiver Vorkehrungen, für die der Errichter und Betreiber der Anlage Sorge zu tragen hat.

Wo bei Bruch oder Fehlfunktion der Wägezellen Menschen oder Sachen zu Schaden kommen können, müssen vom Anwender geeignete zusätzliche Sicherheitsvorkehrungen getroffen werden, die zumindest den Anforderungen der einschlägigen Unfallverhütungsvorschriften genügen (z. B. automatische Notabschaltungen, Überlastsicherungen, Fanglaschen oder -ketten oder andere Absturzsicherungen).

Die das Messsignal verarbeitende Elektronik ist so zu gestalten, dass bei Ausfall des Messsignals keine Folgeschäden auftreten können.

## **Allgemeine Gefahren bei Nichtbeachten der Sicherheitshinweise**

Die Wägezellen entsprechen dem Stand der Technik und sind betriebssicher. Von den Aufnehmern können Gefahren ausgehen, wenn sie von ungeschultem Personal oder unsachgemäß montiert, aufgestellt, eingesetzt und bedient werden. Jede Person, die mit Aufstellung, Inbetriebnahme, Betrieb oder Reparatur einer Wägezelle beauftragt ist, muss die Montageanleitung und insbesondere die sicherheitstechnischen Hinweise gelesen und verstanden haben. Bei nicht bestimmungsgemäßem Gebrauch der Wägezellen, bei Nichtbeachtung der Montage- und Bedienungsanleitung, dieser Sicherheitshinweise oder sonstiger einschlägiger Sicherheitsvorschriften (Unfallverhütungsvorschriften der BG) beim Umgang mit den Wägezellen, können die Wägezellen beschädigt oder zerstört werden. Insbesondere bei Überlastungen kann es zum Bruch von Wägezellen kommen. Durch den Bruch einer Wägezelle können darüber hinaus Sachen oder Personen in der Umgebung der Wägezelle zu Schaden kommen.

Werden Wägezellen nicht ihrer Bestimmung gemäß eingesetzt oder werden die Sicherheitshinweise oder die Vorgaben der Montage- oder Bedienungsanleitung außer Acht gelassen, kann es ferner zum Ausfall oder zu Fehlfunktionen der Wägezellen kommen, mit der Folge, dass (durch auf die Wägezellen einwirkende oder durch diese überwachte Lasten) Menschen oder Sachen zu Schaden kommen können.

Der Leistungs- und Lieferumfang des Aufnehmers deckt nur einen Teilbereich der Wägetechnik ab, da Messungen mit (resistiven) DMS-Sensoren eine elektronische Signalverarbeitung voraussetzen. Sicherheitstechnische Belange der Wägetechnik sind zusätzlich vom Anlagenplaner/Ausrüster/Betreiber so zu planen, zu realisieren und zu verantworten, dass Restgefahren minimiert werden. Die jeweils existierenden nationalen und örtlichen Vorschriften sind zu beachten.

## **Umbauten und Veränderungen**

Der Aufnehmer darf ohne unsere ausdrückliche Zustimmung weder konstruktiv noch sicherheitstechnisch verändert werden. Jede Veränderung schließt eine Haftung unsererseits für daraus resultierende Schäden aus.

## **Wartung**

Die Wägezellen PW27AP... sind wartungsfrei.

## **Veräußerung**

Bei einer Veräußerung der Wägezelle ist diese Montageanleitung der Wägezelle beizulegen.

## **Umweltschutz, Entsorgung**

Nicht mehr gebrauchsfähige Aufnehmer sind gemäß den nationalen und örtlichen Vorschriften für Umweltschutz und Rohstoffrückgewinnung getrennt von regulärem Hausmüll zu entsorgen.

Falls Sie weitere Informationen zur Entsorgung benötigen, wenden Sie sich bitte an die örtlichen Behörden oder an den Händler, bei dem Sie das Produkt erworben haben.

## **Qualifiziertes Personal**

Qualifiziertes Personal sind Personen, die mit Aufstellung, Montage, Inbetriebsetzung und Betrieb des Produktes vertraut sind und die über die ihrer Tätigkeit entsprechende Qualifikationen verfügen.






Dazu zählen Personen, die mindestens eine der drei folgenden Voraussetzungen erfüllen:

1. Ihnen sind die Sicherheitskonzepte der Automatisierungstechnik bekannt und Sie sind als Projektpersonal damit vertraut.
2. Sie sind Bedienungspersonal der Automatisierungsanlagen und im Umgang mit den Anlagen unterwiesen. Sie sind mit der Bedienung der in dieser Dokumentation beschriebenen Geräten und Technologien vertraut.
3. Sie sind Inbetriebnehmer oder für den Service eingesetzt und haben eine Ausbildung absolviert, die Sie zur Reparatur der Automatisierungsanlagen befähigt. Außerdem haben Sie eine Berechtigung, Stromkreise und Geräte gemäß den Normen der Sicherheitstechnik in Betrieb zu nehmen, zu erden und zu kennzeichnen.

## 2 VERWENDETE KENNZEICHNUNGEN

### 2.1 In dieser Anleitung verwendete Kennzeichnungen

Wichtige Hinweise für Ihre Sicherheit sind besonders gekennzeichnet. Beachten Sie diese Hinweise unbedingt, um Unfälle und Sachschäden zu vermeiden.

Symbol	Bedeutung
 <b>WARNUNG</b>	Diese Kennzeichnung weist auf eine <i>mögliche</i> gefährliche Situation hin, die – wenn die Sicherheitsbestimmungen nicht beachtet werden – Tod oder schwere Körperverletzung zur Folge <i>haben kann</i> .
 <b>VORSICHT</b>	Diese Kennzeichnung weist auf eine <i>mögliche</i> gefährliche Situation hin, die – wenn die Sicherheitsbestimmungen nicht beachtet werden – leichte oder mittlere Körperverletzung zur Folge <i>haben kann</i> .
<b>Hinweis</b>	Diese Kennzeichnung weist auf eine Situation hin, die – wenn die Sicherheitsbestimmungen nicht beachtet werden – Sachschäden zur Folge <i>haben kann</i> .
 <b>Wichtig</b>	Diese Kennzeichnung weist auf <i>wichtige</i> Informationen zum Produkt oder zur Handhabung des Produktes hin.
 <b>Tipp</b>	Diese Kennzeichnung weist auf Anwendungstipps oder andere für Sie nützliche Informationen hin.
 <b>Information</b>	Diese Kennzeichnung weist auf Informationen zum Produkt oder zur Handhabung des Produktes hin.
<i>Hervorhebung</i> <i>Siehe ...</i>	Kursive Schrift kennzeichnet Hervorhebungen im Text und kennzeichnet Verweise auf Kapitel, Bilder oder externe Dokumente und Dateien.

### 2.2 Auf dem Gerät angebrachte Symbole

#### CE-Kennzeichnung



Mit der CE-Kennzeichnung garantiert der Hersteller, dass sein Produkt den Anforderungen der relevanten EG-Richtlinien entspricht (die Konformitätserklärung finden Sie auf der Website von HBM ([www.hbm.com](http://www.hbm.com)) unter HBMdoc).



## 3 BEDINGUNGEN AM EINBAUORT

---

Die Wägezellen der Serie PW27AP sind hermetisch gekapselt und deshalb sehr unempfindlich gegen Feuchteeinwirkung. Die Aufnehmer erreichen die Schutzklasse IP68 (Prüfbedingungen: 100 Stunden unter 1 m Wassersäule) und IP69K (Wasser bei Hochdruck, Dampfstrahlreinigung) nach DIN EN 60529. Trotzdem sollten die Wägezellen gegen dauerhafte Feuchteeinwirkung geschützt werden.

### 3.1 Korrosionsschutz

Die Wägezelle muss gegen Chemikalien geschützt werden, die den Stahl des Aufnehmers oder das Kabel angreifen.

#### Hinweis

*Säuren und alle Stoffe, die Ionen freisetzen, greifen auch nichtrostende Stähle und deren Schweißnähte an.*

*Die dadurch auftretende Korrosion kann zum Ausfall des Aufnehmers führen. Sehen Sie in diesem Fall entsprechende Schutzmaßnahmen vor.*

---

### 3.2 Reinigung

Die Wägezelle wurde nach den EHEDG Gestaltungsrichtlinien konstruiert, sodass eine einfache, milde Reinigung möglich ist. Beim Einbau der Wägezelle ist darauf zu achten, dass sie bei der Reinigung von allen Seiten erreichbar ist. Die Reinigung kann ohne Demontage der Wägezelle erfolgen und sollte regelmäßig durchgeführt werden. Dabei darf die Oberfläche der Wägezelle nicht mit scharfkantigen Bürsten beschädigt werden.

### 3.3 Ablagerungen

Staub, Schmutz und andere Fremdkörper dürfen sich nicht so ansammeln, dass sie einen Teil der Messkraft auf das Gehäuse umleiten und dadurch den Messwert verfälschen (Kraftnebenschluss).

### 4.1 Wichtige Vorkehrungen beim Einbau

- Behandeln Sie den Aufnehmer schonend.
- Es dürfen keine Schweißströme über den Aufnehmer fließen. Sollte diese Gefahr bestehen, so müssen Sie den Aufnehmer mit einer geeigneten niederohmigen Verbindung elektrisch überbrücken. Hierzu bietet z. B. HBM das hochflexible Erdungskabel EEK an, das oberhalb und unterhalb des Aufnehmers angeschraubt wird.
- Stellen Sie sicher, dass der Aufnehmer nicht überlastet werden kann.

#### **WARNUNG**

*Bei einer Überlastung des Aufnehmers besteht die Gefahr, dass der Aufnehmer bricht. Dadurch können Gefahren für das Bedienpersonal der Anlage auftreten, in die der Aufnehmer eingebaut ist.*

Treffen Sie geeignete Sicherungsmaßnahmen zur Vermeidung einer Überlastung oder zur Sicherung gegen sich daraus ergebende Gefahren.

#### **Hinweis**

*Wägezellen sind Präzisions-Messelemente und verlangen daher eine umsichtige Handhabung. Stöße oder Stürze können zu permanenten Schäden am Aufnehmer führen. Sorgen Sie dafür, dass auch bei der Montage keine Überlastung des Aufnehmers auftreten kann.*

### 4.2 Montage

Befestigen Sie die Wägezellen an den Montagebohrungen und bringen Sie die Last am anderen Ende auf. Im Lieferumfang enthalten sind 2 Dichtungen zum Abdichten der stirnseitigen Spaltflächen gegen mikrobiologische Verunreinigungen. Die folgende Tabelle enthält die zu verwendenden Schrauben und Anzugsmomente:

Ausführung	Gewinde	Max. Einschraubtiefe	Min. Festigkeitsklasse	Anzugsmoment <sup>1)</sup>
Standard	M6	14 mm	8.8	10 N·m
Rostfrei	M6	14 mm	A2-70 oder A4-70	10 N·m

<sup>1)</sup> Richtwert für die angegebene Festigkeitsklasse. Zur Auslegung von Schrauben beachten Sie bitte die entsprechenden Informationen der Schraubenhersteller

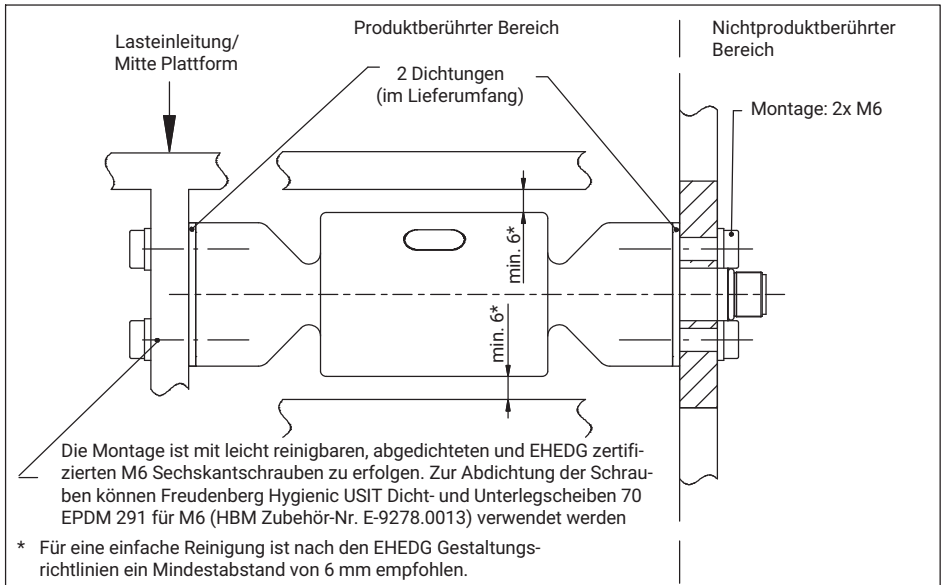


Abb. 4.1 Einbau gemäß Hygienic Design Kriterien



### Wichtig

Die Lasteinleitung darf nicht auf der Seite des Kabelanschlusses erfolgen, dies führt zu einem Kraftnebenschluss durch das Kabel.

## 5 ELEKTRISCHER ANSCHLUSS

Zur Messsignalverarbeitung können angeschlossen werden:

- Trägerfrequenz-Messverstärker
- Gleichspannungs-Messverstärker

die für DMS-Messsysteme ausgelegt sind.

### 5.1 Anschluss in Sechseiter-Technik

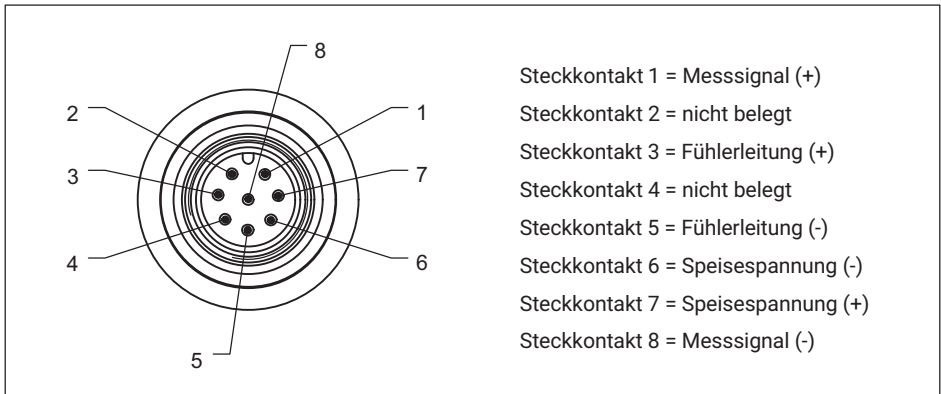


Abb. 5.1 Steckerbelegung

Bei dieser Steckerbelegung ist bei Belastung des Aufnehmers (siehe Abb. 4.1) die Ausgangsspannung am Messverstärker positiv. Die Anschlussbelegung der als Zubehör erhältlichen Kabel finden Sie in *Abschnitt 7 auf Seite 14*.

### 5.2 Anschluss in Vierleiter-Technik

Wenn Sie Aufnehmer, die in Sechseiter-Technik ausgeführt sind, an Verstärker mit Vierleiter-Technik anschließen, müssen Sie die Fühlerleitungen der Aufnehmer mit den entsprechenden Speisespannungsleitungen verbinden: Kennzeichnung (+) mit (+) und Kennzeichnung (-) mit (-), siehe Abb. 5.1. Diese Maßnahme verkleinert unter anderem den Kabelwiderstand der Speisespannungsleitungen. Es entsteht jedoch durch den immer noch vorhandenen und nicht durch die Sechseiter-Technik kompensierten Kabelwiderstand ein Spannungsverlust auf den Speiseleitungen. Ein Großteil dieses Verlustes kann durch eine Kalibrierung eliminiert werden, es verbleibt jedoch der temperaturabhängige Anteil.



## Wichtig

*Der in den technischen Daten für den Aufnehmer angegebene  $TK_c$  gilt daher bei Anschluss in Vierleiter-Technik nicht für die Kombination aus Kabel und Aufnehmer, hier kommt der Anteil des Kabels hinzu.*

### 5.3 Kabelkürzung

Bei einem Anschluss des Aufnehmers an Verstärker in Sechseiter-Technik können Sie das Kabel des Aufnehmers bei Bedarf kürzen, ohne dass dadurch die Messgenauigkeit beeinträchtigt wird.

### 5.4 Kabelverlängerung

Verwenden Sie nur abgeschirmte, kapazitätsarme Messkabel zur Verlängerung. Achten Sie auf eine einwandfreie Verbindung mit geringem Übergangswiderstand.

Das Kabel eines Sechseiter-Aufnehmers kann mit einem gleichartigen Kabel verlängert werden.

### 5.5 Parallelschaltung

Nur Wägezellen mit abgeglichenem Ausgang (Nennwert und Ausgangswiderstand) sind zur Parallelschaltung geeignet. Diese Option ist bei den Wägezellen vom Typ PW27AP nicht lieferbar.

### 5.6 EMV-Schutz

Elektrische und magnetische Felder verursachen oft eine Einkopplung von Störspannungen in den Messkreis. Für eine zuverlässige Messung müssen jedoch Signalunterschiede von wenigen  $\mu\text{V}$ , vom Aufnehmer zur Auswerteelektronik störungsfrei übertragen werden können.

### Planung des Schirmungskonzepts

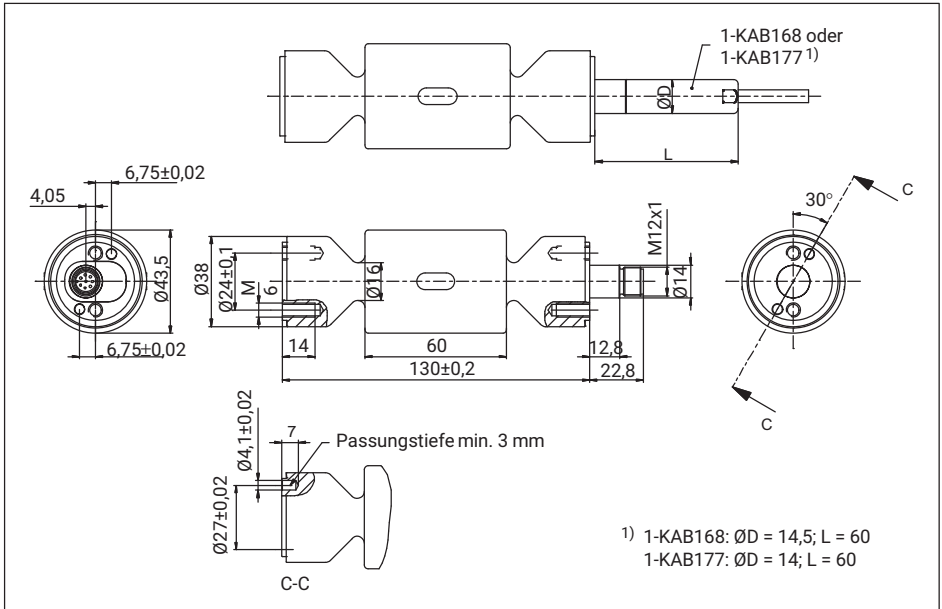
Aufgrund der vielfältigen Einsatzmöglichkeiten und der unterschiedlichen Randbedingungen vor Ort können wir Ihnen nur Hinweise für einen sachgerechten Anschluss geben. Das für Ihre Anwendung passende Schirmungskonzept muss vor Ort von einer entsprechenden Fachkraft geplant werden.

HBM-Wägezellen mit geschirmtem Rundkabel sind gemäß der EU-Richtlinie EMV geprüft und tragen die CE-Kennzeichnung. Durch Spannungstöße nach EN 61000-4-5 können Abweichungen über der spezifizierten Genauigkeit der Wägezelle entstehen. Solche Spannungstöße kommen in Anlagen z.B. durch Blitzeinschlag oder Schaltheftungen in Leistungsstromkreisen vor und verschwinden direkt nach Störeinwirkung wieder. Dies ist insbesondere bei Kabellängen über 30 m oder Verwendung im Außenbereich zu beachten. In diesen Anwendungsfällen sind kundenseitig zusätzliche Vorkehrungen zu treffen.

Zu beachtende Punkte:

- Schließen Sie den Schirm des Anschlusskabels flächig am schirmenden Gehäuse der Elektronik an. Schließen Sie bei der Verwendung von mehreren Wägezellen die Schirme flächig am Klemmenkasten (Zusammenführung der Aufnehmersignale, z. B. Typ VKK2 von HBM) an. Schließen Sie von dort aus das Messkabel zur Elektronik sowohl flächig am Klemmenkasten als auch flächig am schirmenden Gehäuse der Elektronik an.
- Der Schirm der Anschlusskabel darf nicht als Ableitung von Potenzialunterschieden innerhalb des Systems dienen. Verlegen Sie deshalb ausreichend dimensionierte Potenzialausgleichsleitungen, um mögliche Potenzialunterschiede auszugleichen.
- Verwenden Sie nur abgeschirmte kapazitätsarme Messkabel (HBM-Kabel erfüllen diese Bedingungen).
- Legen Sie die Messkabel nicht parallel zu Stromkabeln, insbesondere zu Starkstrom- und Steuerleitungen. Falls dies nicht möglich ist, schützen Sie die Messkabel, z. B. durch Stahlpanzerrohre.
- Meiden Sie Streufelder von Trafos, Motoren und Schützen

## 6 ABMESSUNGEN





Anschlusskabel	
Anschlusskabel mit Stecker M12 F, 8-polig, TPU IP67, Kabelmantel PUR, 5 m lang	1-KAB168-5
Anschlusskabel mit Stecker M12 F, 8-polig, TPU IP67, Kabelmantel PUR, 20 m lang	1-KAB168-20
Anschlusskabel mit Stecker M12 F, 8-polig, Edelstahl IP68/IP69K, Hygieneausführung 3 m lang	1-KAB177-3-1
Anschlusskabel mit Stecker M12 F, 8-polig, Edelstahl IP68/IP69K, Hygieneausführung 6 m lang	1-KAB177-6-1

Technische Daten der Anschlusskabel siehe separates Datenblatt B3643.

### Anschlussbelegung 1-KAB168

Aderfarbe	Anschluss
Weiß	Messsignal (+)
Rot	Messsignal (-)
Blau	Speisespannung (+)
Rosa	Speisespannung (-)
Grün	Fühlerleitung (+)
Grau	Fühlerleitung (-)
Gelb	Nicht belegt
Braun	Nicht belegt



## Anschlussbelegung 1-KAB177

Aderfarbe	Anschluss
Weiß	Messsignal (+)
Rot	Messsignal (-)
Blau	Speisespannung (+)
Schwarz	Speisespannung (-)
Grün	Fühlerleitung (+)
Grau	Fühlerleitung (-)

### Ersatzteil

1 Satz Ersatzdichtungen, bestehend aus 2 Stck. Dichtungen (EPDM),  
Best.-Nr. E-9278.0015-1.

## 8 TECHNISCHE DATEN

---



### **Information**

Weitere Produktinformationen finden Sie unter [www.hbm.com/de/pw](http://www.hbm.com/de/pw).

ENGLISH    DEUTSCH    FRANÇAIS

## Notice de montage



# PW27AP

# TABLE DES MATIÈRES

---

<b>1</b>	<b>Consignes de sécurité</b> .....	<b>3</b>
<b>2</b>	<b>Marquages utilisés</b> .....	<b>6</b>
2.1	Marquages utilisés dans le présent document .....	6
2.2	Marquages utilisés sur le produit .....	6
<b>3</b>	<b>Conditions environnementales à respecter</b> .....	<b>7</b>
3.1	Protection contre la corrosion .....	7
3.2	Nettoyage .....	7
3.3	Dépôts .....	7
<b>4</b>	<b>Montage mécanique</b> .....	<b>8</b>
4.1	Précautions importantes lors du montage .....	8
4.2	Montage .....	8
<b>5</b>	<b>Raccordement électrique</b> .....	<b>10</b>
5.1	Raccordement en technique six fils .....	10
5.2	Raccordement en technique quatre fils .....	10
5.3	Raccourcissement de câble .....	11
5.4	Rallonge de câble .....	11
5.5	Branchement en parallèle .....	11
5.6	Protection CEM .....	11
<b>6</b>	<b>Dimensions</b> .....	<b>13</b>
<b>7</b>	<b>Accessoires</b> .....	<b>14</b>
<b>8</b>	<b>Caractéristiques techniques</b> .....	<b>16</b>

# 1 CONSIGNES DE SÉCURITÉ

---

## Utilisation conforme

Les pesons de la série PW27AP... sont conçus pour des applications de pesage dans le cadre des limites de charge spécifiées dans les caractéristiques techniques. Toute autre utilisation est considérée non conforme.

Les pesons doivent uniquement être manipulés par du personnel qualifié conformément aux caractéristiques techniques en respectant les consignes de sécurité et dispositions mentionnées dans la présente notice de montage. De plus, il convient, pour chaque cas particulier, de respecter les règlements et consignes de sécurité correspondants. Ceci s'applique également à l'utilisation des accessoires.

Les pesons ne sont pas destinés à être mis en œuvre comme éléments de sécurité. Reportez-vous à ce sujet au paragraphe "Mesures de sécurité supplémentaires". Afin de garantir un fonctionnement parfait et en toute sécurité des pesons, il convient de veiller à un transport, un stockage, une installation et un montage appropriés et d'assurer un maniement scrupuleux.

## Limites de capacité de charge

Lors de l'utilisation des pesons, respecter impérativement les données fournies dans les caractéristiques techniques. Les charges maximales indiquées ne doivent notamment en aucun cas être dépassées. Il ne faut pas dépasser les valeurs indiquées dans les caractéristiques techniques par ex. pour

- la charge limite,
- la charge limite pour l'excentricité maxi.,
- la charge transversale limite,
- les charges de rupture,
- les limites de température,
- les limites de charge électrique.

En cas de montage de plusieurs pesons dans une balance, notez que la charge n'est pas toujours répartie de façon homogène sur les différents pesons.

## Utilisation en tant qu'éléments de machine

Les pesons peuvent être utilisés en tant qu'éléments de machine. Dans ce type d'utilisation, il convient de noter que les pesons ne peuvent pas présenter les facteurs de sécurité habituels en construction mécanique, car l'accent est mis sur la sensibilité élevée. Reportez-vous à ce sujet au paragraphe "Limites de capacité de charge" et aux caractéristiques techniques.

## **Prévention des accidents**

Bien que la charge nominale indiquée dans la plage de destruction corresponde à un multiple de la pleine échelle, il est impératif de respecter les directives pour la prévention des accidents du travail éditées par les caisses professionnelles d'assurance accident.

## **Mesures de sécurité supplémentaires**

Les pesons ne peuvent déclencher (en tant que capteurs passifs) aucun arrêt (relatif à la sécurité). Il faut pour cela mettre en œuvre d'autres composants et prendre des mesures constructives, tâches qui incombent à l'installateur et à l'exploitant de l'installation.

Lorsque les pesons risquent de blesser des personnes ou endommager des biens suite à une rupture ou un dysfonctionnement, l'utilisateur doit prendre des mesures de sécurité supplémentaires appropriées afin de répondre au moins aux exigences des directives pour la prévention des accidents du travail (par ex. dispositifs d'arrêt automatiques, limiteurs de charge, lanières ou chaînes de sécurité ou tout autre dispositif antichute).

L'électronique traitant le signal de mesure doit être conçue de manière à empêcher tout endommagement consécutif à une panne du signal.

## **Risques généraux en cas de non-respect des consignes de sécurité**

Les pesons correspondent au niveau de développement technologique actuel et présentent une parfaite sécurité de fonctionnement. Les capteurs peuvent représenter un danger s'ils sont montés, installés, utilisés et manipulés par du personnel non qualifié sans tenir compte des consignes de sécurité. Toute personne chargée de l'installation, de la mise en service, de l'utilisation ou de la réparation d'un peson doit impérativement avoir lu et compris la notice de montage et notamment les informations relatives à la sécurité. En cas d'utilisation non conforme des pesons, de non-respect de la notice de montage et du manuel d'emploi, ainsi que des présentes consignes de sécurité ou de toute autre consigne de sécurité applicable pour l'usage des pesons (par ex. les directives pour la prévention des accidents du travail éditées par les caisses professionnelles d'assurance accident), les pesons peuvent être endommagés ou détruits. En cas de surcharges notamment, les pesons peuvent se briser. En outre, la rupture d'un peson peut endommager des biens ou blesser des personnes se trouvant à proximité du peson.

Si les pesons sont utilisés pour un usage non conforme ou que les consignes de sécurité ou encore les prescriptions de la notice de montage ou du manuel d'emploi sont ignorées, cela peut également entraîner une panne ou des dysfonctionnements des pesons pouvant à leur tour provoquer des préjudices corporels ou matériels (de par les charges agissant sur les pesons ou celles surveillées par ces derniers).

Les performances du capteur et l'étendue de la livraison ne couvrent qu'une partie de la technique de pesage car les mesures effectuées avec des capteurs à jauges (résistifs) supposent l'emploi d'un traitement de signal électronique. La sécurité dans ce domaine doit également être conçue, mise en œuvre et prise en charge par l'ingénieur/le

constructeur/l'opérateur de manière à minimiser les dangers résiduels. Il convient de respecter les réglementations nationales et locales en vigueur.

### **Transformations et modifications**

Il est interdit de modifier le capteur sur le plan conceptuel ou celui de la sécurité sans accord explicite de notre part. Nous ne saurions en aucun cas être tenus responsables des dommages qui résulteraient d'une modification quelconque.

### **Entretien**

Les pesons PW27AP... sont sans entretien.

### **Cession**

En cas de cession du peson, la présente notice de montage doit être jointe au peson.

### **Protection de l'environnement, élimination des déchets**

Conformément aux réglementations nationales et locales en matière de protection de l'environnement et de recyclage, les capteurs hors d'usage doivent être éliminés séparément des ordures ménagères normales.

Pour plus d'informations sur l'élimination d'appareils, consultez les autorités locales ou le revendeur auprès duquel vous avez acheté le produit en question.

### **Personnel qualifié**

Sont considérées comme personnel qualifié les personnes familiarisées avec l'installation, le montage, la mise en service et l'exploitation du produit, et disposant des qualifications nécessaires à l'accomplissement de leur tâche.






En font partie les personnes remplissant au moins une des trois conditions suivantes:

1. Vous connaissez les concepts de sécurité de la technique d'automatisation et vous les maîtrisez en tant que chargé de projet.
2. Vous êtes opérateur des installations d'automatisation et avez été formé pour pouvoir utiliser les installations. Vous savez comment utiliser les appareils et technologies décrits dans le présent document.
3. En tant que personne chargée de la mise en service ou de la maintenance, vous disposez d'une formation vous autorisant à réparer les installations d'automatisation. Vous êtes en outre autorisé à mettre en service, mettre à la terre et marquer des circuits électriques et appareils conformément aux normes de la technique de sécurité.

## 2 MARQUAGES UTILISÉS

### 2.1 Marquages utilisés dans le présent document

Les remarques importantes pour votre sécurité sont repérées d'une manière particulière. Il est impératif de tenir compte de ces consignes, afin d'éviter les accidents et les dommages matériels.

Symbole	Signification
 <b>AVERTISSEMENT</b>	Ce marquage signale un risque <i>potentiel</i> qui - si les dispositions relatives à la sécurité ne sont pas respectées - <i>peut avoir</i> pour conséquence de graves blessures corporelles, voire la mort.
 <b>ATTENTION</b>	Ce marquage signale un risque <i>potentiel</i> qui - si les dispositions relatives à la sécurité ne sont pas respectées - <i>peut avoir</i> pour conséquence des blessures corporelles de gravité minimale ou moyenne.
<b>Note</b>	Ce marquage signale une situation qui - si les dispositions relatives à la sécurité ne sont pas respectées - <i>peut avoir</i> pour conséquence des dégâts matériels.
 <b>Important</b>	Ce marquage signale que des informations <i>importantes</i> concernant le produit ou sa manipulation sont fournies.
 <b>Conseil</b>	Ce marquage est associé à des conseils d'utilisation ou autres informations utiles.
 <b>Information</b>	Ce marquage signale que des informations concernant le produit ou sa manipulation sont fournies.
<i>Mise en valeur Voir ...</i>	Pour mettre en valeur certains mots du texte, ces derniers sont écrits en italique.

### 2.2 Marquages utilisés sur le produit

#### Label CE



Avec le marquage CE, le fabricant garantit que son produit est conforme aux exigences des directives CE qui s'y appliquent (Pour voir la déclaration de conformité visitez <http://www.hbm.com/HBMdoc>).



## 3 CONDITIONS ENVIRONNANTES À RESPECTER

---

Les pesons de la série PW27AP sont fermés hermétiquement et sont donc particulièrement insensibles à l'humidité. Les capteurs atteignent la classe de protection IP68 (conditions d'essai: 100 heures sous 1 m de colonne d'eau) et IP69K (eau à haute pression, nettoyage au jet de vapeur) selon EN 60529. Les pesons doivent toutefois être protégés contre une présence permanente d'humidité.

### 3.1 Protection contre la corrosion

Le peson doit être protégé contre les produits chimiques susceptibles d'attaquer l'acier du corps du capteur ou le câble.

#### Note

*Les acides et toutes les substances libérant des ions attaquent également les aciers inoxydables et leurs cordons de soudure.*

*La corrosion éventuelle qui peut en résulter est susceptible d'entraîner la défaillance du capteur. Prévoir dans ce cas des mesures de protection correspondantes.*

---

### 3.2 Nettoyage

Le capteur de pesage a été conçu selon les directives de conception de l'EHEDG et peut donc être nettoyé facilement en douceur. Lors du montage du capteur de pesage, il faut veiller à ce qu'il soit accessible de tous les côtés pour le nettoyage. Le nettoyage peut être effectué sans démonter le capteur de pesage et doit être réalisé régulièrement. Lors de cette opération, il ne faut pas endommager la surface du capteur de pesage avec des brosses agressives.

### 3.3 Dépôts

La poussière, la saleté et autres corps étrangers ne doivent pas s'accumuler sous peine de dévier une partie de la force de mesure sur le boîtier et ainsi de fausser la valeur de mesure (shunt).

## 4 MONTAGE MÉCANIQUE

### 4.1 Précautions importantes lors du montage

- Manipulez le capteur avec précaution.
- Aucun courant de soudage ne doit traverser le capteur. Si cela risque de se produire, le capteur doit être shunté électriquement à l'aide d'une liaison de basse impédance appropriée. À cet effet, HBM propose par ex. le câble de mise à terre très souple EEK vissé au-dessus et au-dessous du capteur.
- Assurez-vous que le capteur ne peut pas être surchargé.



#### AVERTISSEMENT

*En cas de surcharge du capteur, ce dernier risque de se briser. Cela peut être dangereux pour les opérateurs de l'installation dans laquelle le capteur est monté.*

Prendre des mesures de protection appropriées pour éviter toute surcharge ou pour se protéger des risques qui pourraient en découler.

#### Note

*Les pesons sont des éléments sensibles de précision et doivent donc être maniés avec précaution. Les chocs et les chutes risquent de provoquer un endommagement irréversible du capteur. Veiller à ce que le capteur ne puisse pas être surchargé lors du montage également.*

### 4.2 Montage

Fixez les pesons au niveau des orifices de montage et appliquez la charge à l'autre extrémité. Les capteurs de pesage sont livrés avec 2 garnitures d'étanchéité pour rendre les faces de clivages étanches aux impuretés microbiologiques. Le tableau ci-dessous indique les vis et couples de serrage à utiliser :

Version	Filetage	Longueur de filet maxi.	Classe de dureté mini.	Couple de serrage <sup>1))</sup>
Standard	M6	14 mm	8.8	10 N·m
Inox	M6	14 mm	A2-70 ou A4-70	10 N·m

<sup>1))</sup> Valeur recommandée pour la classe de dureté indiquée. Pour le dimensionnement des vis, respecter les informations correspondantes fournies par le fabricant des vis

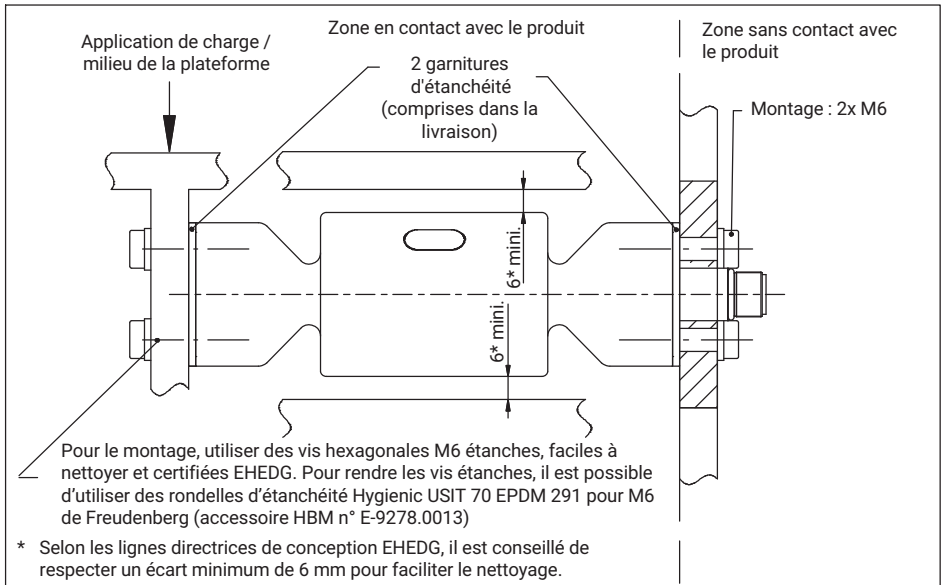


Fig. 4.1 Montage selon les critères de conception hygiénique



### Important

La charge ne doit pas être appliquée du côté du raccordement du câble afin d'éviter tout shunt de force dû au câble.

## 5 RACCORDEMENT ÉLECTRIQUE

Pour traiter les signaux de mesure, il est possible de raccorder :

- des amplificateurs à fréquence porteuse,
- des amplificateurs à courant continu,

convenant aux systèmes de mesure à jauges d'extensométrie.

### 5.1 Raccordement en technique six fils

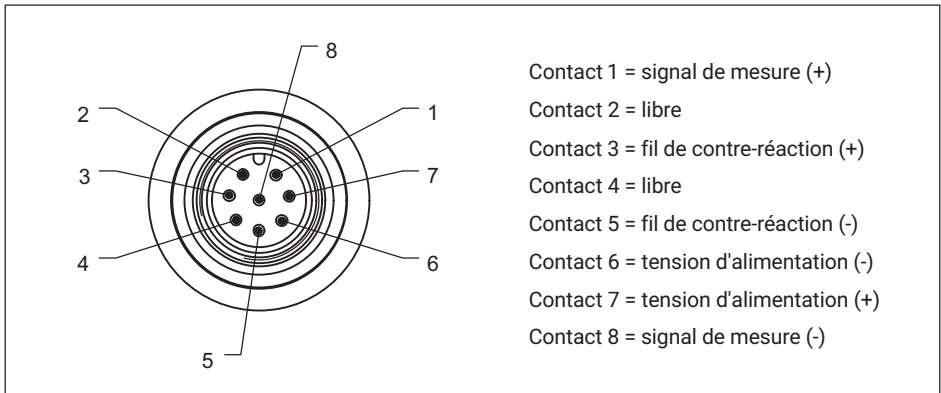


Fig. 5.1 Affectation des pôles du connecteur

Avec cette affectation des pôles du connecteur, la tension de sortie de l'amplificateur de mesure est positive lorsque le capteur est sollicité (voir Fig. 4.1). Le code de raccordement des câbles disponibles en option est indiqué au chapitre 7, page 14.

### 5.2 Raccordement en technique quatre fils

Lors du raccordement de capteurs en technique six fils à un amplificateur en technique quatre fils, il est nécessaire de relier les fils de contre-réaction des capteurs aux fils de tension d'alimentation correspondants: (+) avec (+) et (-) avec (-), voir Fig. 5.1. Cette mesure réduit entre autres la résistance intrinsèque des fils de tension d'alimentation. Toutefois, une perte de tension, liée à la résistance intrinsèque encore présente et non compensée par la technique 6 fils, se produit sur tous les fils d'alimentation. La majeure partie de cette perte peut être éliminée par un calibrage, cependant la partie dépendant de la température reste.



## Important

*Le  $TK_C$  indiqué dans les caractéristiques techniques du capteur n'est donc pas valable, lors d'un raccordement en technique 4 fils, pour la combinaison câble/capteur. Dans ce cadre, la partie du câble doit être ajoutée à cela.*

### 5.3 Raccourcissement de câble

Lors d'un raccordement du capteur à l'amplificateur en technique six fils, le câble du capteur peut être raccourci, le cas échéant, sans nuire à l'exactitude de mesure.

### 5.4 Rallonge de câble

Utiliser uniquement des câbles de mesure blindés de faible capacité comme rallonges. Veiller à obtenir une connexion parfaite avec une faible résistance de contact.

Le câble d'un capteur à six fils peut être rallongé avec un câble de même type.

### 5.5 Branchement en parallèle

Seuls les pesons avec sortie ajustée (sensibilité nominale et résistance de sortie) sont adaptés pour un branchement en parallèle. Cette option n'est pas disponible pour les pesons de type PW27AP.

### 5.6 Protection CEM

Les champs électriques et magnétiques provoquent souvent le couplage de tensions perturbatrices dans le circuit de mesure. Pour une mesure fiable, le système doit pouvoir transmettre sans parasitage des écarts de signaux de quelques  $\mu\text{V}$  du capteur à l'électronique d'exploitation.

### Planification du concept de blindage

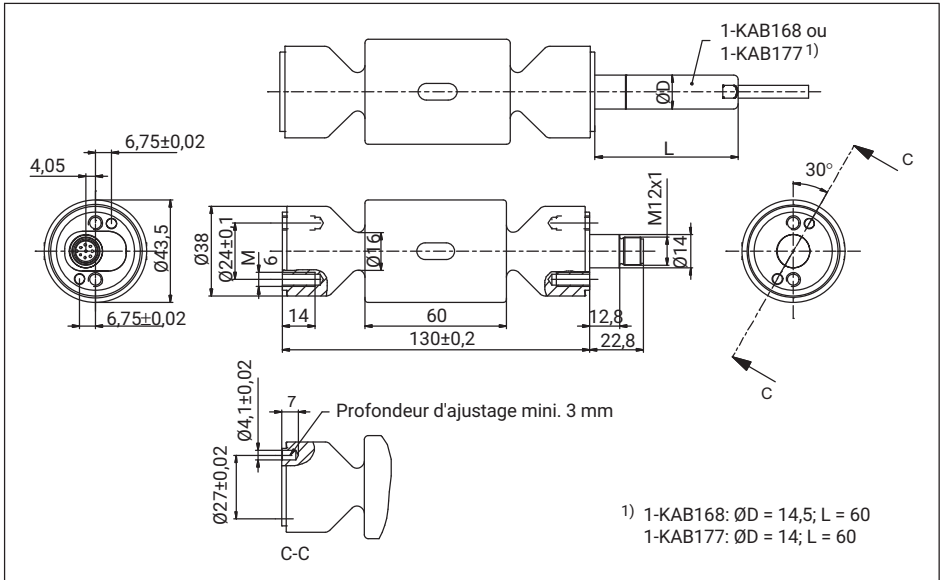
En raison de la multitude de possibilités d'utilisation et de conditions sur site, nous pouvons uniquement vous donner des indications pour un raccordement correct. Le concept de blindage adapté à votre application doit être planifié sur place par un spécialiste compétent.

Les capteurs de pesage HBM avec câble rond blindé sont éprouvés CEM conformément à la directive européenne correspondante et portent le marquage CE. Des chocs de tension selon EN 61000-4-5 peuvent générer des écarts supérieurs à l'exactitude spécifiée du capteur de pesage. De tels chocs de tension apparaissent dans les installations, par exemple suite à des impacts de foudre ou à des manœuvres dans des circuits de puissance. Ils disparaissent immédiatement après la perturbation. Cela est à prendre en compte en particulier pour les câbles de plus de 30 m ou en cas d'utilisation en extérieur. Dans ces cas, le client doit prendre des mesures supplémentaires.

Points à observer :

- Raccorder le blindage du câble de liaison en nappe au boîtier blindé de l'électronique. En cas d'utilisation de plusieurs capteurs de pesage, raccorder les blindages en nappe au boîtier de raccordement (regroupement des signaux de capteurs, par ex. type VKK2 de HBM). De là, raccorder le câble de mesure menant à l'électronique aussi bien en nappe au niveau du boîtier de raccordement qu'en nappe au niveau du boîtier blindé de l'électronique.
- Le blindage du câble de liaison ne doit pas servir de dérivation pour les différences de potentiel au sein du système. Poser plutôt des lignes d'équipotentialité de dimension suffisante pour compenser les différences de potentiel éventuelles.
- Utiliser uniquement des câbles de mesure blindés de faible capacité (les câbles de mesure HBM remplissent cette condition).
- Éviter absolument de poser les câbles de mesure en parallèle avec des câbles électriques, notamment des lignes de puissance et de contrôle. Si cela n'est pas possible, protéger le câble de mesure, par ex. à l'aide de tubes en acier blindé.
- Éviter les champs de dispersion des transformateurs, moteurs et vannes.

## 6 DIMENSIONS





### Câbles de liaison

Câble de liaison avec connecteur M12 F, 8 pôles, TPU IP67, gaine PUR, 5 m de long	1-KAB168-5
Câble de liaison avec connecteur M12 F, 8 pôles, TPU IP67, gaine PUR, 20 m de long	1-KAB168-20
Câble de liaison avec connecteur M12 F, 8 pôles, acier inoxydable IP68/IP69K, version hygiénique, 3 m de long	1-KAB177-3-1
Câble de liaison avec connecteur M12 F, 8 pôles, acier inoxydable IP68/IP69K, version hygiénique, 6 m de long	1-KAB177-6-1

Pour les caractéristiques techniques des câbles de liaison, voir les caractéristiques techniques séparées B3643.

### Code de raccordement 1-KAB168

Couleur du fil	Raccordement
Blanc	Signal de mesure (+)
Rouge	Signal de mesure (-)
Bleu	Tension d'alimentation (+)
Rose	Tension d'alimentation (-)
Vert	Fil de contre-réaction (+)
Gris	Fil de contre-réaction (-)
Jaune	Libre
Marron	Libre



## Code de raccordement 1-KAB177

Couleur du fil	Raccordement
Blanc	Signal de mesure (+)
Rouge	Signal de mesure (-)
Bleu	Tension d'alimentation (+)
Noir	Tension d'alimentation (-)
Vert	Fil de contre-réaction (+)
Gris	Fil de contre-réaction (-)

## Pièce de rechange

1 jeu de garnitures d'étanchéité de rechange, comportant 2 garnitures d'étanchéité (EPDM), n° de commande E-9278.0015-1

## 8 CARACTÉRISTIQUES TECHNIQUES

---



### Information

Pour plus d'informations sur les produits, voir [www.hbm.com/fr/pw](http://www.hbm.com/fr/pw).



