

Operating Manual | Bedienungsanleitung |
Manuel d'emploi | Istruzioni per l'uso | 操作说明书

English

Deutsch

Français

Italiano

中文



KMR+



Hottinger Brüel & Kjaer GmbH
Im Tiefen See 45
D-64293 Darmstadt
Tel. +49 6151 803-0
Fax +49 6151 803-9100
info@hbm.com
www.hbm.com

Mat.: 7-0111.0006
DVS: A05429_01_YCI_02 HBM: public
11.2020

© Hottinger Baldwin Messtechnik

Subject to modifications.
All product descriptions are for general information only.
They are not to be understood as a guarantee of quality or
durability.

Änderungen vorbehalten.
Alle Angaben beschreiben unsere Produkte in allgemeiner
Form. Sie stellen keine Beschaffenheits- oder Haltbarkeits-
garantie dar.

Sous réserve de modifications.
Les caractéristiques indiquées ne décrivent nos produits
que sous une forme générale. Elles n'impliquent aucune
garantie de qualité ou de durabilité.

Con riserva di modifica.
Tutti i dati descrivono i nostri prodotti in forma generica e non
implicano alcuna garanzia di qualità o di durata dei prodotti
stessi.

保留变更的权利。
所有信息都是对我们产品的一般性描述。在性能或者耐久性方
面它们并不提供任何保证。

Operating Manual | Bedienungsanleitung |
Manuel d'emploi | Istruzioni per l'uso | 操作说明书

English

Deutsch

Français

Italiano

中文



KMR+



1	Safety instructions	3
2	Markings used	7
2.1	Markings used in this document	7
3	Scope of supply and equipment variants	8
3.1	Scope of supply	8
3.2	Accessories	8
3.3	Equipment variants	8
4	General application instructions	10
5	Structure and mode of operation	11
5.1	Force transducer operation	11
5.2	Strain gage covering agent	11
6	Conditions on site	12
6.1	Ambient temperature	12
6.2	Moisture and corrosion protection	12
6.3	Deposits	12
7	Mechanical installation	13
7.1	Important precautions during installation	13
7.2	General installation guidelines	14
7.3	Installation examples	16
8	Electrical connection	19
8.1	Connection in a 4-wire configuration	19
8.2	Shortening or extending the cable	20
8.3	EMC protection	20
9	Dimensions	21
10	Specifications as per VDI/VDE 2638	24

1 Safety instructions

Intended use

Force transducers in the KMR+ series are designed solely for measuring static and dynamic compressive forces within the load limits stated in the specifications. Any other use is not the intended use.

To ensure safe operation, it is essential to comply with the regulations in this operating manual, the safety requirements listed below, and the data specified in the supplied technical data sheets. It is also essential to observe the applicable legal and safety regulations for the application concerned.

The force transducers are not intended for use as safety components. Please also refer to the “Additional safety precautions” section. Proper and safe operation of force transducers requires proper transportation, correct storage, setup and mounting, and careful operation.

Load-carrying capacity limits

The information in the technical data sheets must be observed when using the force transducers. The respective specified maximum loads in particular must never be exceeded. The following limits set out in the technical data sheets must not be exceeded:

- Limit forces
- Lateral limit forces
- Maximum eccentricity of force application
- Breaking forces
- Allowed dynamic loads
- Temperature limits
- Limits of electrical load-carrying capacity

Please note that when several force transducers are interconnected, the load/force distribution is not always uniform, so an individual force transducer may be overloaded even though the cumulative signal has yet to reach the sum of the nominal (rated) forces of the sensors connected in parallel.

Use as machine elements

Force transducers can be used as machine elements. When used in this manner, it must be noted that, to favor greater sensitivity, the force transducers were not designed with the safety factors usual in mechanical engineering. Please refer to the "Load-carrying capacity limits" section and to the specifications.

Accident prevention

The prevailing accident prevention regulations must be taken into account, even though the breaking force is well in excess of the full scale value. This applies in particular to transportation and installation.

Additional safety precautions

Force transducers cannot (as passive transducers) implement any (safety-relevant) cutoffs. This requires additional components and constructive measures, for which the installer and operator of the plant is responsible.

In cases where a breakage or malfunction of the force transducer would cause injury to persons or damage to property, the user must take appropriate additional safety precautions that meet at least the requirements of applicable safety and accident prevention regulations (e.g. automatic emergency shut-down, overload protection, catch straps or chains, or other fall protection). The electronic processor that processes the measurement signal should be designed so that failure of the measurement signal cannot lead to secondary failures.

General dangers of failing to follow the safety instructions

Force transducers are state-of-the-art and failsafe. Transducers can give rise to residual dangers if they are mounted, installed, used and operated inappropriately or by untrained personnel. Every person involved with setting up, starting up, operating or repairing a force transducer must have read and understood this operating manual, and the technical safety instructions in particular.

Force transducers can be damaged or destroyed if used for purposes other than their intended use or in the event of non-compliance with the operating manual, these safety instructions or other applicable safety regulations

(accident prevention regulations of the Employer's Liability Insurance Association). Force transducers can break, particularly if overloaded. The breakage of a force transducer can also cause damage to property or injury to persons in the vicinity of the force transducer.

If force transducers are not installed as per their intended use, or if the safety instructions or stipulations in the operating manual are ignored, force transducers may fail or malfunction. Personal injury or property damages may then result (caused by the loads acting on or being monitored by the force transducers).

The scope of supply and performance of the transducer covers only a small area of force measurement technology, as measurements with (resistive) strain gage sensors require the use of electronic signal processing. In addition, plant planners, equippers and operators are responsible for planning and implementing force measurement systems in such a way as to minimize residual risks. Pertinent national and local regulations must be complied with.

Conversions and modifications

The design or safety engineering of the transducer must not be modified without our express permission. Any modification shall exclude all liability on our part for any damage resulting therefrom.

Maintenance

KMR+ force transducers are maintenance free.

Disposal

In accordance with national and local environmental protection, material recovery and recycling regulations, old transducers that are no longer serviceable must be disposed of separately from normal household waste. If you require more information about disposal, please contact your local authorities or the dealer from whom you purchased the product.

Qualified personnel

Qualified personnel are persons entrusted with the setup, installation, startup, operation and dismantling of the product, and are appropriately qualified for their work. This includes people who meet at least one of the three following criteria:

- As project personnel, you know and are familiar with the safety concepts of automation technology.
- As automation plant operating personnel, you have been instructed on how to handle the machinery. You are familiar with the operation of the equipment and technologies described in this documentation.
- As a commissioning or service engineer, you have successfully completed training on the repair of automation plants. You are also authorized to operate, ground and mark circuits and equipment in accordance with safety engineering standards.






During use, compliance with the legal and safety requirements for the relevant application is also essential. The same applies to the use of accessories.

The force transducer may only be installed by qualified personnel, strictly in accordance with the specifications and with the safety requirements and regulations.

2 Markings used

2.1 Markings used in this document

Important instructions for your safety are highlighted. It is essential to follow these instructions to prevent accidents and damage to property.

Symbol	Meaning
 WARNING	This marking warns of a <i>potentially</i> dangerous situation in which failure to comply with safety requirements <i>could</i> result in death or serious physical injury.
 CAUTION	This marking warns of a <i>potentially</i> dangerous situation in which failure to comply with safety requirements <i>could</i> result in slight or moderate physical injury.
Note	This marking draws your attention to a situation in which failure to comply with safety requirements <i>could</i> lead to property damage.
 Important	This marking draws your attention to <i>important</i> information about the product or about handling the product.
 Tip	This marking indicates tips for use or other information that is useful to you.
 Information	This marking draws your attention to information about the product or about handling the product.
<i>Emphasis</i> See ...	Italics are used to emphasize and highlight text and identify references to sections of the manual, diagrams, or external documents and files.

3 Scope of supply and equipment variants

3.1 Scope of supply

- KMR+ force transducer
- KMR+ operating manual
- Two hardened and ground washers for force application

3.2 Accessories

Ordering number	
1-KMRW/20kN	2x load application washers suitable for KMR+/20kN
1-KMRW/40kN	2x load application washers suitable for KMR+/40kN
1-KMRW/60kN	2x load application washers suitable for KMR+/60kN
1-KMRW/100kN	2x load application washers suitable for KMR+/100kN
1-KMRW/200kN	2x load application washers suitable for KMR+/200kN
1-KMRW/300kN	2x load application washers suitable for KMR+/300kN
1-KMRW/400kN	2x load application washers suitable for KMR+/400kN
1-KMRW/500kN	2x load application washers suitable for KMR+/500kN
1-KMRW/600kN	2x load application washers suitable for KMR+/600kN
1-KMRW/1 MN	2x load application washers suitable for KMR+/1MN
1-KMRW/2MN	2x load application washers suitable for KMR+/2MN

3.3 Equipment variants

The force transducer is available in different versions. The following options are available:

Nominal (rated) force

You can purchase force transducers with nominal (rated) forces between 20 kN and 2 MN. Nominal (rated) force is the force to which the force washer can be continuously and dynamically subjected without sustaining damage.

Please note that the sensor can also be used up to the service load, but may suffer damage if subjected to continuous, dynamic use at this force. If in doubt, choose a larger model.

Cable length

The standard cable length is 1.5 m. If you wish, you can also order the KMR+ with the following cable lengths:

- 3 m
- 5 m
- 6 m
- 7 m
- 12 m

Plug assembly

The KMR+ comes as standard without the plug fitted. In this case, the cable is suitably prepared (insulated cable ends, shielding ready for fitting). We can fit the following plugs if you wish:

- "Greenline" MS3106PEMV plug for connecting to older HBM signal conditioners, e.g. DK38
- 15-pin two-row D-sub plug for connecting to numerous HBM signal conditioners, e.g. Scout or MGCplus with AP01i or AP14i
- 15-pin three-row D-sub HD plug for connecting to signal conditioners from the QuantumX family

4 General application instructions

Force transducers are suitable for measuring compressive forces. They measure static and dynamic forces and must therefore be handled with care. Particular care must be taken when transporting and installing the devices. Dropping or knocking the transducer may cause permanent damage.

The permissible limits for mechanical, thermal and electrical stress are listed in *Chapter 10 "Specifications as per VDI/VDE 2638", page 24*. It is essential to take these limits into account when planning the measuring set-up, during installation and, ultimately, during operation.

5 Structure and mode of operation

5.1 Force transducer operation

The measuring body is a steel spring element on which four or eight strain gages are installed in such a way that two (or four) strain gages extend when a force is applied, while two (or four) strain gages are shortened. The strain gages convert this change in length proportionally to a change in their electrical resistance. The strain gages are connected to a Wheatstone bridge circuit. When the measuring bridge is supplied with an external voltage, the output voltage changes in proportion to the strain gages' change in length, and therefore in proportion to the applied force. A suitable bridge amplifier is required for further conditioning of the output signal.

5.2 Strain gage covering agent

To protect the strain gages, the force transducers have thin stainless steel housings that ensure they are hermetically sealed. This means that the KMR+ can also be used outdoors and in high humidity.

In order to retain this protective effect, the housings must not be removed or damaged in any way.

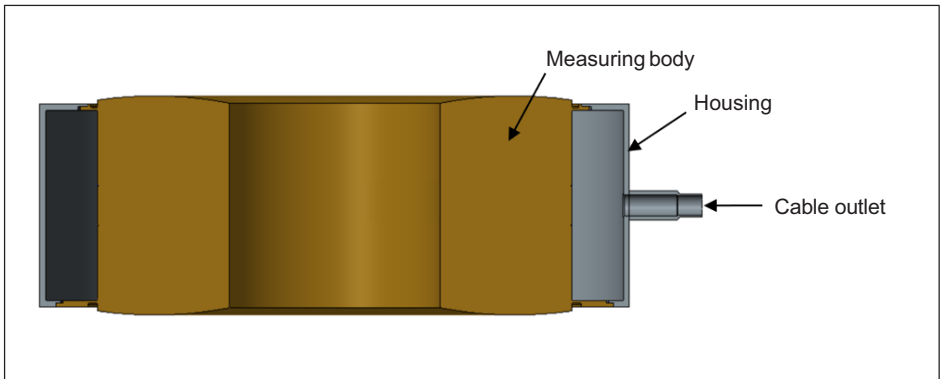


Fig. 5.1 Sectional diagram of force washer with protective metal housing

6 Conditions on site

Protect the transducer from weather conditions such as rain, snow, ice, and salt water.

6.1 Ambient temperature

The temperature coefficient of zero signal and rated output are compensated.

To obtain optimum measurement results, comply with the nominal (rated) temperature range. The strain gages are arranged and designed to ensure a lack of sensitivity to temperature gradients. Despite this, constant and slow-changing temperatures are best for accuracy. A radiation shield and all-round thermal insulation produce noticeable improvements. but must not be allowed to create a force shunt.

6.2 Moisture and corrosion protection

The force transducers are hermetically encapsulated and are therefore very insensitive to moisture.

Sensors from the KMR+ series satisfy the requirements of IP68 and are suitable for outdoor use. (Test condition: 100 h/1 m water column).

With stainless steel force transducers, please note that acids and all materials which release ions will also attack stainless steels and their weld seams. Any resulting corrosion could cause the force transducer to fail. In this case, appropriate protective measures must be provided.

We recommend protecting the transducer against long-term exposure to moisture and weather conditions.

6.3 Deposits

Dust, dirt and other foreign matter must not be allowed to accumulate sufficiently to divert some of the measuring force, thus invalidating the measured value (force shunt).

7 Mechanical installation

7.1 Important precautions during installation

- Handle the transducer with care.
- Note the requirements for the force application parts as described in the following sections of this operating manual
- Welding currents must not be allowed to flow over the transducer. If there is a risk that this might happen, you must use a suitable low-ohm connection to electrically bypass the transducer. HBM provides the highly flexible EEK ground cable for this purpose, for example, that is screwed on above and below the transducer.
- Make sure that the transducer cannot be overloaded during installation.



WARNING

There is a danger of the transducer breaking if it is overloaded. This can cause danger for the operating personnel of the system in which the transducer is installed.

- Take suitable safety measures to prevent overloading or to ensure protection against the resulting dangers. The maximum possible mechanical stresses, especially the breaking force, are noted in the specifications.
- During installation and operation of the transducer, pay attention to the maximum parasitic forces:
 - Lateral forces
 - Eccentric force application and torques
 - and the maximum permissible load-carrying capacity of the force application parts used.

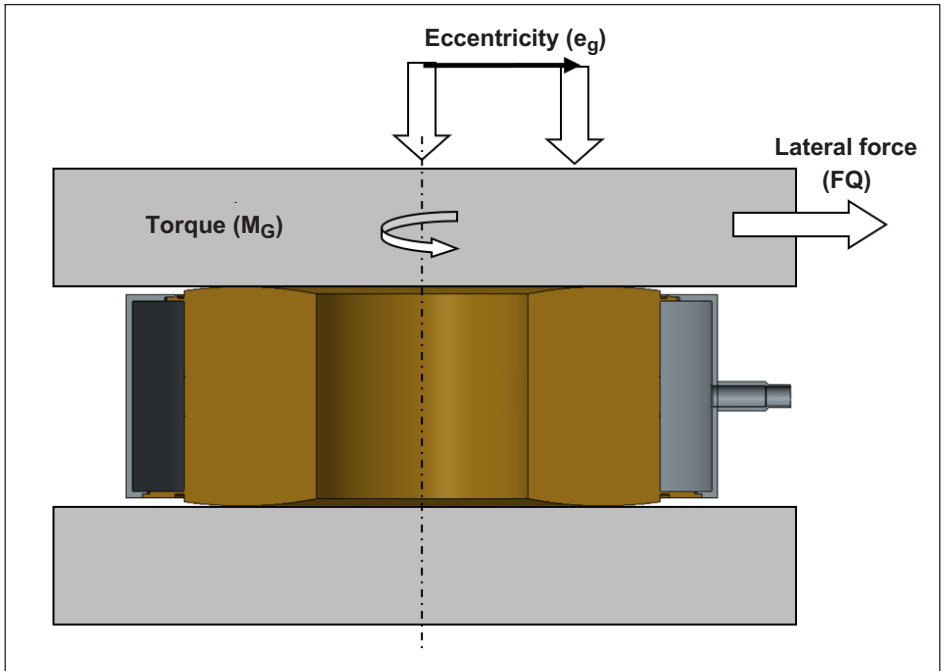


Fig. 7.1 Parasitic loads

7.2 General installation guidelines

The forces to be measured must act on the transducer as accurately as possible in the direction of measurement. Eccentric loading and lateral forces can produce measurement errors and even destroy the transducer if limit values are exceeded.

If the objective is to obtain a quantitative measured value, the KMR+ sensor must be calibrated in its final installed position, as the sensitivity of the measurement point depends on the mounting conditions. The following factors can influence the sensitivity of the measurement point:

- Rigidity of other components, e.g. the screw used to fit the KMR+
- Irregularities in the force application parts mounted directly on the KMR+
- Eccentric force application

- Deformation of components that are in contact with the KMR+

For calibration, HBM offers force transducers with traceable results, e.g. the C15 reference transducer. Qualitative measurements, e.g. relative changes, can be performed without calibration.

The mounting conditions must not be changed once calibration is complete.

We recommend that you use the two hardened washers above and below the KMR+ for force application. The washers are hardened and have a very flat surface, so that the load is distributed uniformly over the entire force washer. The chamfered edge of the washers must face away from the sensor (see drawing below). Spring washers, lock washers or similar are not suitable.

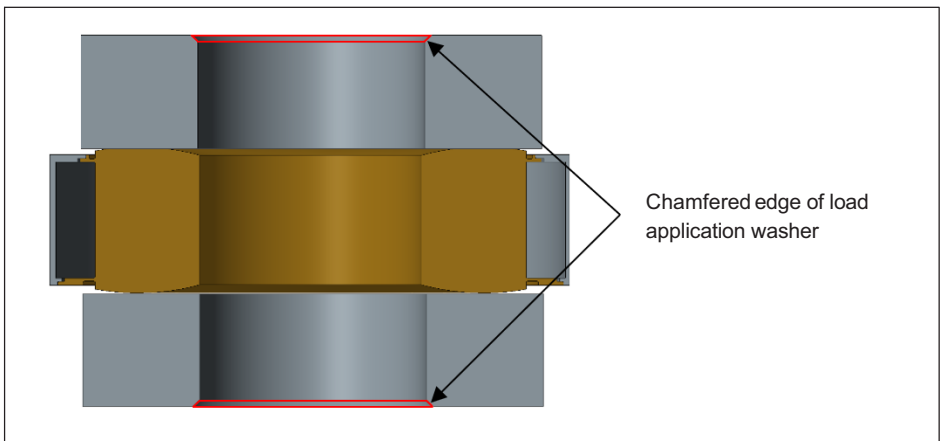


Fig. 7.2 KMR+ with correctly positioned load application washers

If you are unable to use the supplied washers, the connection components must have the following properties:

- Hardness: 47 ± 2 HRC
- Roughness: 0.8
- Flatness: 0.01

**CAUTION**

During installation, pay attention to whether the sensor could turn as well when the bolts or nuts are tightened. In unfavorable conditions, they can shear off the cable.

**Tip**

Apply a little oil to the bolt head so that it can turn. This will prevent the torque being applied to the sensor.

7.3 Installation examples

The examples of use below indicate the numerous possible uses of the KMR+.

Monitoring threaded connections

KMR+ are drift-free measuring tools and are therefore especially good for monitoring and establishing the settling behavior of screwing forces.

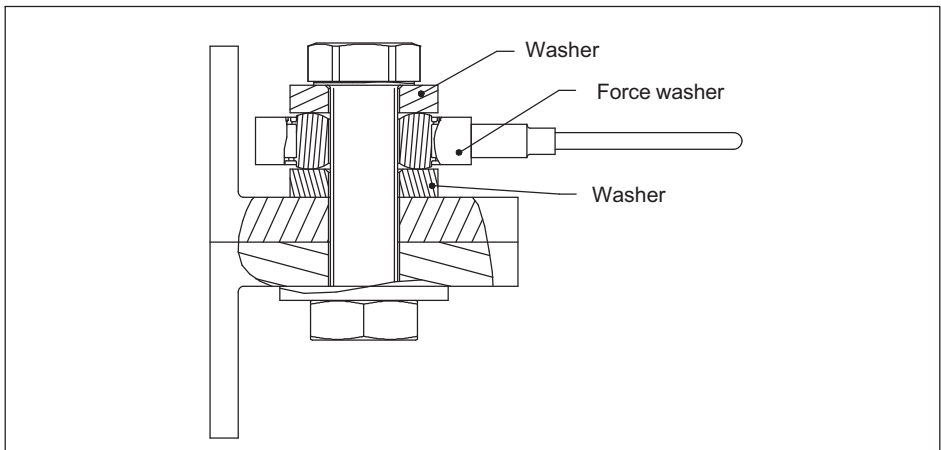


Fig. 7.3 Monitoring a bolt preload

With this arrangement, you can also monitor working forces, e.g. the rise in pressure in a valve. The quantitative force applied by the screw cannot be measured in this way, as the KMR+ is not calibrated.

Monitoring forces exerted by a press using compression plates

The arrangement according to *Fig. 7.4* allows you to monitor forces exerted by a press. Please note that the hardened washers can only be dispensed with if the parts in contact with the KMR+ satisfy the requirements, as described in *Chapter 7.2* (hardness, flatness, roughness).

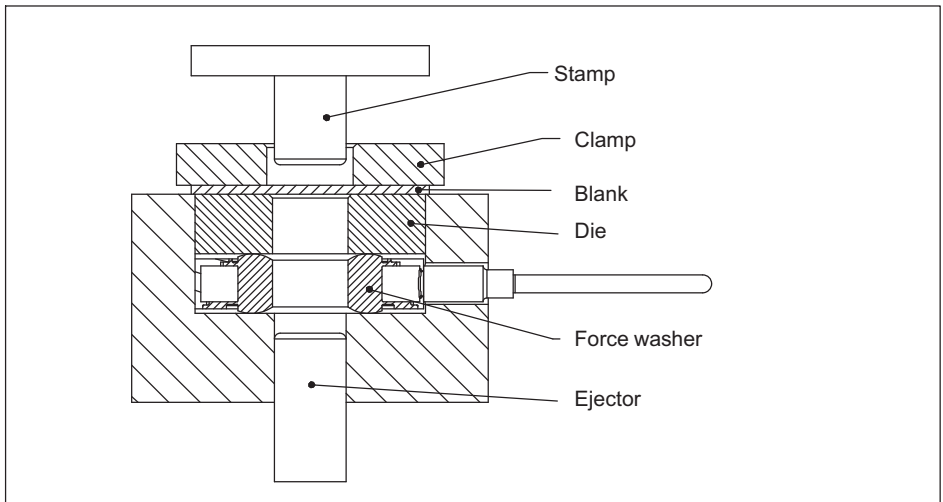


Fig. 7.4 Monitoring a force exerted by a press

Monitoring cable forces and tie rods

The internal bore in force washers designed for compressive forces means they are also suitable for monitoring tensile forces. Make sure that all force-transmitting components have sufficient tensile strength.

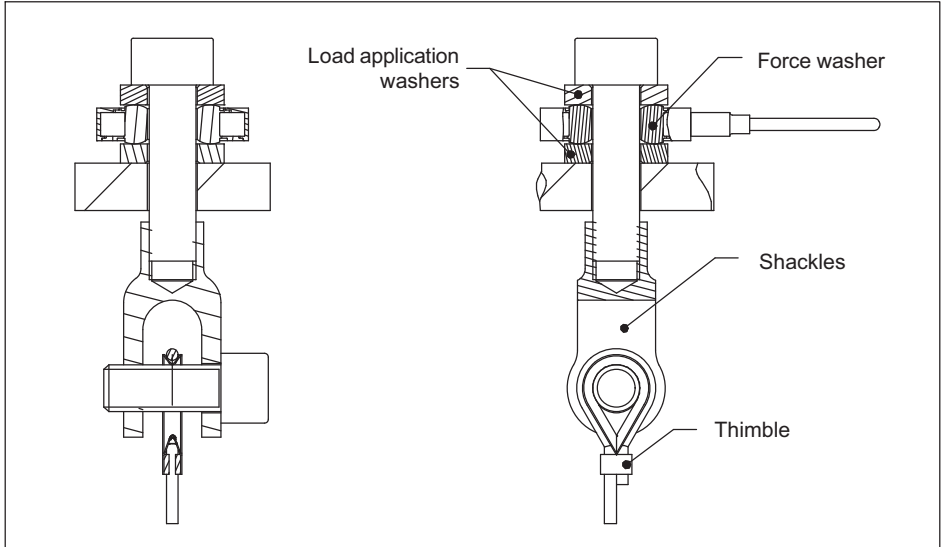


Fig. 7.5 Monitoring cable forces

8 Electrical connection

Signal conditioners designed for strain gage measuring systems can be used for conditioning measurement signals. Both carrier frequency and DC amplifiers can be connected.

KMR+ force transducers are supplied in a 4-wire configuration.

8.1 Connection in a 4-wire configuration

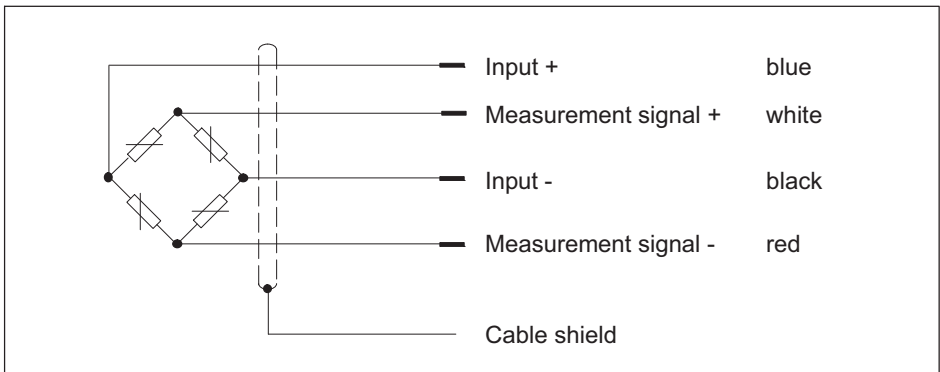


Fig. 8.1 KMR+ circuit

With this cable assignment, the output signal of the transducer at the signal conditioner is positive.

The cable shield is connected to the transducer housing. This produces a Faraday cage which covers the sensor, the cable and – provided it is correctly pre-wired – the plug to the signal conditioner, and therefore guarantees optimum safety, even in the critical EMC environment.

Only use plugs that meet EMC guidelines. The shielding must be fitted flat all over the surface. With other connection techniques, an EMC-proof shield must be provided in the stranded wire area and this shielding should also be connected extensively (also see HBM Greenline Information).

8.2 Shortening or extending the cable

The KMR+ is available ex-works with various cable lengths, so changes to cable length should not be necessary.

If the cable needs to be extended nevertheless, we recommend using a 6-wire configuration for this purpose.

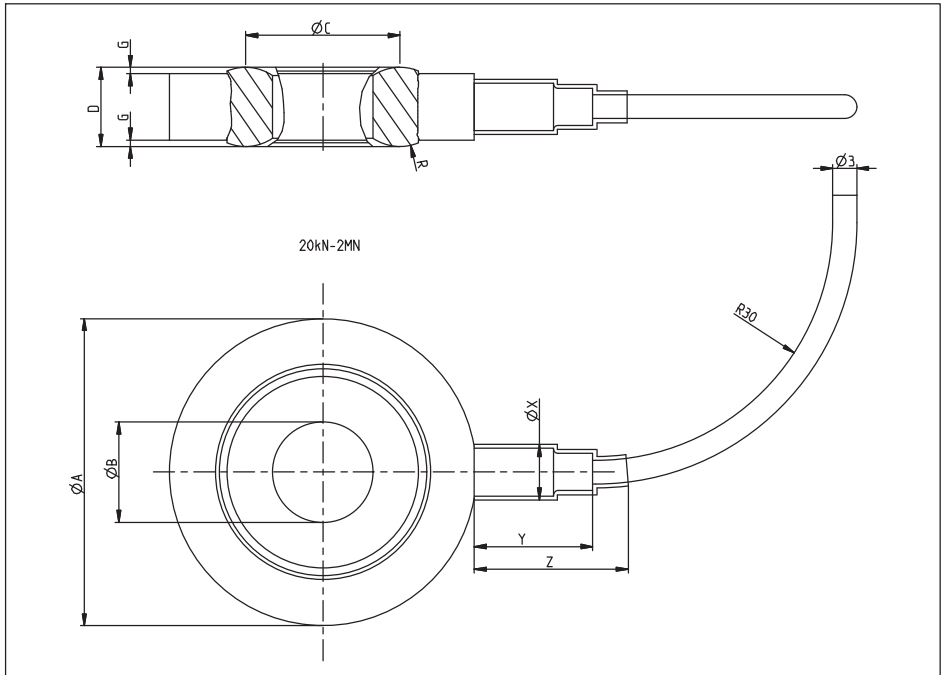
The cable can be shortened, but this will influence the sensitivity of the measurement point. Therefore, shorten the cable before calibrating the measurement point.

8.3 EMC protection

Electrical and magnetic fields can often induce interference voltages in the measuring circuit. Therefore please note the following:

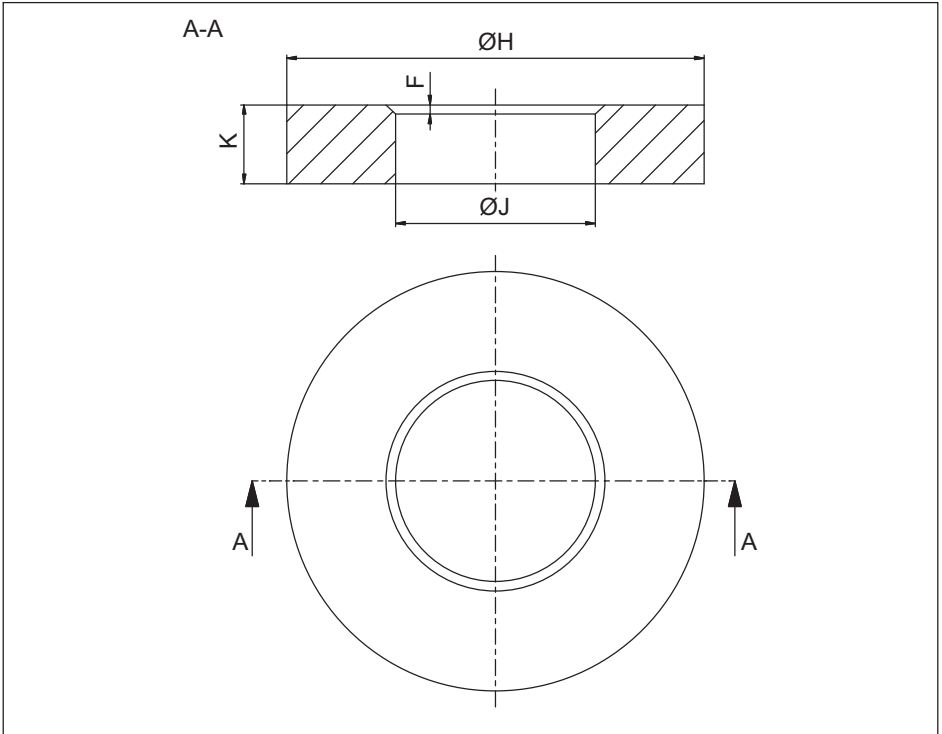
- ▶ Use only shielded, low-capacitance measurement cables (HBM cables satisfy these conditions).
- ▶ Do not route measurement cables parallel to power lines or control circuits. If this cannot be avoided, protect the measurement cable with steel conduits, for example.
- ▶ Avoid stray fields from transformers, motors and contact switches.
- ▶ Connect all the devices in the measurement chain to the same protective conductor.
- ▶ Always lay the whole surface of the cable shield on the connector housing.

9 Dimensions



Nominal (rated) force	$\varnothing A$ -0.2 mm	$\varnothing B$ $+0.1$ mm	C mm	D mm	G mm	R mm	$\varnothing X$ ± 0.5 mm	Y mm	Z mm
20 kN	19.9	6.5	9.05	8.5	0.65	5	6.7	15	30
40 kN	23.6	8.0	10.84	8.5	0.65	8	6.7	15	30
60 kN	26.9	10.0	13.82	8.5	0.65	12	6.7	15	30
100 kN	38.8	12.7	19.50	10.0	0.80	6	6.7	15	30
200 kN	48.0	16.0	27.35	10.0	0.80	16	6.7	15	30
300 kN	56.3	21.0	35.20	10.5	1.05	18	6.7	15	30
400 kN	60.6	25.0	38.20	12.5	2.05	20	6.7	15	30
500 kN	66.6	28.0	42.80	14.5	0.80	22	6.7	15	30
600 kN	72.1	31.0	46.90	16.5	1.30	24	6.7	15	30

Nominal (rated) force	$\varnothing A_{-0.2}$ mm	$\varnothing B_{+0.1}$ mm	C mm	D mm	G mm	R mm	$\varnothing X_{\pm 0.5}$ mm	Y mm	Z mm
1 MN	87.1	37.0	57.85	24.5	1.30	40	6.7	15	30
2 MN	120.8	43.0	73.80	44.5	1.60	80	6.7	15	30



Nominal (rated) force	$\varnothing H_{-0.1}$ mm	$\varnothing J_{+0.1}$ mm	K mm	Fx45°
20 kN	17.0	6.5	3.0	0.25
40 kN	21.0	8.0	3.0	0.40
60 kN	24.0	10.0	4.0	0.40
100 kN	26.5	12.7	5.0	0.60
200 kN	34.0	16.0	6.0	0.60
300 kN	42.0	21.0	6.0	1.50

Nominal (rated) force	$\varnothing H_{-0.1}$ mm	$\varnothing J_{+0.1}$ mm	K mm	Fx45°
400 kN	46.0	25.0	8.0	1.50
500 kN	55.0	28.0	10.9	1.10
600 kN	60.0	31.0	12.4	1.10
1 MN	75.0	37.0	18.4	1.10
2 MN	100.0	43.0	33.4	1.20

10 Specifications as per VDI/VDE 2638

Nominal (rated) force	F_{nom}	kN	20	40	60	100	200	300	400	500	600		
		MN											1
Accuracy													
Accuracy class		1.5											
Relative re- producibility and repeatability errors with unchanging mounting position	b_{rg}	%	1.0										
Rel. reversibility error	$v_{0.5}$	%	1.5										
Linearity deviation ¹⁾	d_{lin}	%	1.5										
Relative creep (30 min)	d_{crf}	%	0.5										
Temperature coeffi- cient of sensitivity	TC_S	%/10 K	0.5										
Temperature coeffi- cient of zero signal	TC_0	%/10 K	0.5										
Rated electrical output													
Rated output (nominal)	C_{nom}	mV/V	2										
Sensitivity error	d_C	%	15										
Relative zero signal error	$d_{s,0}$	mV/V	0.2										
Input resistance	R_e	Ω	310 ... 410				620 ... 800						
Output resistance	R_a	Ω	310 ... 370				620 ... 720						
Insulation resistance	R_{is}	Ω	$> 10^9$										
Operating range of the excitation voltage	$B_{U,G}$	V	0.5 ... 12										
Reference excitation voltage	U_{ref}	V	5										
Connection		4-wire circuit											

Nominal (rated) force	F_{nom}	kN	20	40	60	100	200	300	400	500	600		
		MN											1
Temperature													
Reference temperature	t_{ref}	°C	23										
Nominal (rated) temperature range	$B_{T,nom}$	°C	-30...70										
Operating temperature range	$B_{T,G}$	°C	-30...85										
Storage temperature range	$B_{T,S}$	°C	-30...85										
Characteristic mechanical quantities													
Maximum operating force	F_G	% of F_{nom}	125				150				160	180	
Force limit	F_L		125				150				160	180	
Breaking force	F_B		> 300				> 400						
Static lateral limit force ²⁾ (when loaded with nominal (rated) force)	F_Q	% of F_{nom}	12										
Permissible eccentricity (when loaded with nominal (rated) force)	e_g	mm	1.6	2.0	3.4	1.5	4.6	4.4	5.2	5.5	6.3	9.9	12.8
Permissible eccentricity (when loaded with 50% of the nominal (rated) force)	e_g	mm	3.4	4.3	5.3	7.3	10.3	12.4	14.3	16.1	17.6	21.7	27.7
Permissible torque (when loaded with nominal (rated) force)	M_G	Nm	33	75	169	194	975	1425	2250	3000	3750	8250	20250
Nominal (rated) displacement $\pm 15\%$	S_{nom}	μm	19.0	23.9	24.2	32.0	35.1	41.5	49.8	56.8	60.4	85.8	140.8
Stiffness	c	kN / μm	1.1	1.7	2.5	3.1	5.7	7.2	8.0	8.8	9.9	11.6	14.2
Fundamental frequency	f_G	kHz	48.1	51.7	54.9	42.6	44.1	41.3	38.1	33.2	30.5	21.6	12.6
Permissible oscillation stress	F_{rtb}	% of F_{nom}	85										

Nominal (rated) force	F _{nom}	kN	20	40	60	100	200	300	400	500	600			
		MN											1	2
General information														
Weight (without cable)	g	12	16	21	43	74	108	140	202	270	633	2275		
Cable lengths	m	1.5 (Standard) / 3.0 / 5.0 / 6.0 / 7.0 / 12.0												
Degree of protection in accordance with DIN EN 60529 ³⁾	IP68													
Measuring body/casing material	Stainless steel													
Cable	4-wire, PUR insulation, shielded													

- 1) With an initial load of 30 % of the nominal (rated) force when installed
- 2) The maximum lateral force is limited by the coefficient of friction (0.12)
- 3) Testing condition: 1 meter water pressure, 100 hours

Operating Manual | **Bedienungsanleitung** |
Manuel d'emploi | Istruzioni per l'uso | 操作说明书

English

Deutsch

Français

Italiano

中文



KMR+



1	Sicherheitshinweise	3
2	Verwendete Kennzeichnungen	7
2.1	In dieser Anleitung verwendete Kennzeichnungen	7
3	Lieferumfang und Ausstattungsvarianten	8
3.1	Lieferumfang	8
3.2	Zubehör	8
3.3	Ausstattungsvarianten	8
4	Allgemeine Anwendungshinweise	10
5	Aufbau und Wirkungsweise	11
5.1	Funktionsweise der Kraftaufnehmer	11
5.2	DMS-Abdeckung	11
6	Bedingungen am Einsatzort	12
6.1	Umgebungstemperatur	12
6.2	Feuchtigkeits- und Korrosionsschutz	12
6.3	Ablagerungen	13
7	Mechanischer Einbau	14
7.1	Wichtige Vorkehrungen beim Einbau	14
7.2	Allgemeine Einbaurichtlinien	15
7.3	Montagebeispiele	17
8	Elektrischer Anschluss	20
8.1	Anschluss in Vierleitertechnik	20
8.2	Kabelkürzung oder -verlängerung	21
8.3	EMV-Schutz	21
9	Abmessungen	22
10	Technische Daten nach VDI/VDE 2638	24

1 Sicherheitshinweise

Bestimmungsgemäßer Gebrauch

Die Kraftaufnehmer der Typenreihe KMR+ sind ausschließlich für die Messung statischer und dynamischer Druckkräfte im Rahmen der durch die technischen Daten spezifizierten Belastungsgrenzen konzipiert. Jeder andere Gebrauch ist nicht bestimmungsgemäß.

Zur Gewährleistung eines sicheren Betriebes sind die Vorschriften dieser Bedienungsanleitung sowie die nachfolgenden Sicherheitsbestimmungen und die in den technischen Datenblättern mitgeteilten Daten unbedingt zu beachten. Zusätzlich sind die für den jeweiligen Anwendungsfall zu beachtenden Rechts- und Sicherheitsvorschriften zu beachten.

Die Kraftaufnehmer sind nicht zum Einsatz als Sicherheitsbauteile bestimmt. Bitte beachten Sie hierzu den Abschnitt „Zusätzliche Sicherheitsvorkehrungen“. Der einwandfreie und sichere Betrieb der Kraftaufnehmer setzt sachgemäßen Transport, fachgerechte Lagerung, Aufstellung und Montage sowie sorgfältige Bedienung voraus.

Belastbarkeitsgrenzen

Beim Einsatz der Kraftaufnehmer sind die Angaben in den technischen Datenblättern unbedingt zu beachten. Insbesondere dürfen die jeweils angegebenen Maximalbelastungen keinesfalls überschritten werden. Nicht überschritten werden dürfen die in den technischen Datenblättern angegebenen:

- Grenzkräfte
- Grenzquerkräfte
- Maximalwert der Exzentrizität der Krafteinleitung
- Bruchkräfte
- Zulässigen dynamischen Belastungen
- Temperaturgrenzen
- Grenzen der elektrischen Belastbarkeit

Beachten Sie bei der Zusammenschaltung mehrerer Kraftaufnehmer, dass die Last-/Kraftverteilung nicht immer gleichmäßig ist, so dass ein einzelner Kraft-

aufnehmer überlastet ist, obwohl das Summensignal noch nicht die Summe der Nennkräfte der parallelgeschalteten Sensoren erreicht hat.

Einsatz als Maschinenelemente

Die Kraftaufnehmer können als Maschinenelemente eingesetzt werden. Bei dieser Verwendung ist zu beachten, dass die Kraftaufnehmer zu Gunsten einer hohen Messempfindlichkeit nicht mit den im Maschinenbau üblichen Sicherheitsfaktoren konstruiert wurden. Beachten Sie hierzu den Abschnitt „Belastbarkeitsgrenzen“ und die technischen Daten.

Unfallverhütung

Obwohl die Bruchkraft ein Mehrfaches vom Messbereichsendwert beträgt, müssen die einschlägigen Unfallverhütungsvorschriften der Berufsgenossenschaften berücksichtigt werden. Die gilt insbesondere für den Transport und die Montage.

Zusätzliche Sicherheitsvorkehrungen

Die Kraftaufnehmer können (als passive Aufnehmer) keine (sicherheitsrelevanten) Abschaltungen vornehmen. Dafür bedarf es weiterer Komponenten und konstruktiver Vorkehrungen, für die der Errichter und Betreiber der Anlage Sorge zu tragen hat.

Wo bei Bruch oder Fehlfunktion der Kraftaufnehmer Menschen oder Sachen zu Schaden kommen können, müssen vom Anwender geeignete zusätzliche Sicherheitsvorkehrungen getroffen werden, die zumindest den Anforderungen der einschlägigen Unfallverhütungsvorschriften genügen (z.B. automatische Notabschaltungen, Überlastsicherungen, Fangflaschen oder -ketten oder andere Absturzsicherungen). Die das Messsignal verarbeitende Elektronik ist so zu gestalten, dass bei Ausfall des Messsignals keine Folgeschäden auftreten können.

Allgemeine Gefahren bei Nichtbeachten der Sicherheitshinweise

Die Kraftaufnehmer entsprechen dem Stand der Technik und sind betriebsicher. Von den Aufnehmern können Gefahren ausgehen, wenn sie von ungeschultem Personal oder unsachgemäß montiert, aufgestellt, eingesetzt und bedient werden. Jede Person, die mit Aufstellung, Inbetriebnahme, Betrieb oder Reparatur eines Kraftaufnehmers beauftragt ist, muss die vorliegende

Bedienungsanleitung und insbesondere die sicherheitstechnischen Hinweise gelesen und verstanden haben.

Bei nicht bestimmungsgemäßem Gebrauch der Kraftaufnehmer, bei Nichtbeachtung der Bedienungsanleitung, dieser Sicherheitshinweise oder sonstiger einschlägiger Sicherheitsvorschriften (Unfallverhütungsvorschriften der BG) können die Kraftaufnehmer beschädigt oder zerstört werden. Insbesondere bei Überlastungen kann es zum Bruch von Kraftaufnehmern kommen. Durch den Bruch eines Kraftaufnehmers können darüber hinaus Sachen oder Personen in der Umgebung des Kraftaufnehmers zu Schaden kommen.

Werden Kraftaufnehmer nicht ihrer Bestimmung gemäß eingesetzt oder werden die Sicherheitshinweise oder Vorgaben der Bedienungsanleitung außer Acht gelassen, kann es zum Ausfall oder zu Fehlfunktionen der Kraftaufnehmer kommen. In Folge dessen, können (durch auf die Kraftaufnehmer einwirkende oder durch diese überwachte Lasten) Menschen oder Sachen zu Schaden kommen.

Der Leistungs- und Lieferumfang des Aufnehmers deckt nur einen Teilbereich der Kraftmesstechnik ab, da Messungen mit (resistiven) DMS-Sensoren eine elektronische Signalverarbeitung voraussetzen. Sicherheitstechnische Belange der Kraftmesstechnik sind zusätzlich vom Anlagenplaner/Ausrüster/Betreiber so zu planen, zu realisieren und zu verantworten, dass Restgefahren minimiert werden. Die jeweils existierenden nationalen und örtlichen Vorschriften sind zu beachten.

Umbauten und Veränderungen

Der Aufnehmer darf ohne unsere ausdrückliche Zustimmung weder konstruktiv noch sicherheitstechnisch verändert werden. Jede Veränderung schließt eine Haftung unsererseits für daraus resultierende Schäden aus.

Wartung

Die Kraftaufnehmer KMR+ sind wartungsfrei.

Entsorgung

Nicht mehr gebrauchsfähige Aufnehmer sind gemäß den nationalen und örtlichen Vorschriften für Umweltschutz und Rohstoffrückgewinnung getrennt von regulärem Hausmüll zu entsorgen. Falls Sie weitere Informationen zur Entsorgung benötigen, wenden Sie sich bitte an Ihren Lieferanten.

gung benötigen, wenden Sie sich bitte an die örtlichen Behörden oder an den Händler, bei dem Sie das Produkt erworben haben.

Qualifiziertes Personal

Qualifiziertes Personal sind Personen, die mit Aufstellung, Montage, Inbetriebsetzung, Betrieb und Demontage des Produktes vertraut sind und die über die ihrer Tätigkeit entsprechende Qualifikationen verfügen. Dazu zählen Personen, die mindestens eine der drei folgenden Voraussetzungen erfüllen:

- Ihnen sind die Sicherheitskonzepte der Automatisierungstechnik bekannt und Sie sind als Projektpersonal damit vertraut.
- Sie sind Bedienungspersonal der Automatisierungsanlagen und im Umgang mit den Anlagen unterwiesen. Sie sind mit der Bedienung der in dieser Dokumentation beschriebenen Geräten und Technologien vertraut.
- Sie sind Inbetriebnehmer oder für den Service eingesetzt und haben eine Ausbildung absolviert, die Sie zur Reparatur der Automatisierungsanlagen befähigt. Außerdem haben Sie eine Berechtigung, Stromkreise und Geräte gemäß den Normen der Sicherheitstechnik in Betrieb zu nehmen, zu erden und zu kennzeichnen.






Bei der Verwendung sind zusätzlich die für den jeweiligen Anwendungsfall erforderlichen Rechts- und Sicherheitsvorschriften zu beachten. Sinngemäß gilt dies auch bei Verwendung von Zubehör.

Der Kraftaufnehmer darf nur von qualifiziertem Personal ausschließlich entsprechend der technischen Daten in Zusammenhang mit den Sicherheitsbestimmungen und Vorschriften eingesetzt werden.

2 Verwendete Kennzeichnungen

2.1 In dieser Anleitung verwendete Kennzeichnungen

Wichtige Hinweise für Ihre Sicherheit sind besonders gekennzeichnet. Beachten Sie diese Hinweise unbedingt, um Unfälle und Sachschaden zu vermeiden.

Symbol	Bedeutung
 WARNUNG	Diese Kennzeichnung weist auf eine <i>mögliche</i> gefährliche Situation hin, die – wenn die Sicherheitsbestimmungen nicht beachtet werden – Tod oder schwere Körperverletzung zur Folge <i>haben kann</i> .
 VORSICHT	Diese Kennzeichnung weist auf eine <i>mögliche</i> gefährliche Situation hin, die – wenn die Sicherheitsbestimmungen nicht beachtet werden – leichte oder mittlere Körperverletzung zur Folge <i>haben kann</i> .
Hinweis	Diese Kennzeichnung weist auf eine Situation hin, die – wenn die Sicherheitsbestimmungen nicht beachtet werden – Sachschäden zur Folge <i>haben kann</i> .
 Wichtig	Diese Kennzeichnung weist auf <i>wichtige</i> Informationen zum Produkt oder zur Handhabung des Produktes hin.
 Tipp	Diese Kennzeichnung weist auf Anwendungstipps oder andere für Sie nützliche Informationen hin.
 Information	Diese Kennzeichnung weist auf Informationen zum Produkt oder zur Handhabung des Produktes hin.
<i>Hervorhebung</i> <i>Siehe ...</i>	Kursive Schrift kennzeichnet Hervorhebungen im Text und kennzeichnet Verweise auf Kapitel, Bilder oder externe Dokumente und Dateien.

3 Lieferumfang und Ausstattungsvarianten

3.1 Lieferumfang

- Kraftaufnehmer KMR+
- Bedienungsanleitung KMR+
- Zwei Stück gehärtete und geschliffene Scheiben zur Kraffteinleitung

3.2 Zubehör

Bestellnummer	
1-KMRW/20kN	2 Stück Lasteinleitungsscheiben passend zu KMR+/20kN
1-KMRW/40kN	2 Stück Lasteinleitungsscheiben passend zu KMR+/40kN
1-KMRW/60kN	2 Stück Lasteinleitungsscheiben passend zu KMR+/60kN
1-KMRW/100kN	2 Stück Lasteinleitungsscheiben passend zu KMR+/100kN
1-KMRW/200kN	2 Stück Lasteinleitungsscheiben passend zu KMR+/200kN
1-KMRW/300kN	2 Stück Lasteinleitungsscheiben passend zu KMR+/300kN
1-KMRW/400kN	2 Stück Lasteinleitungsscheiben passend zu KMR+/400kN
1-KMRW/500kN	2 Stück Lasteinleitungsscheiben passend zu KMR+/500kN
1-KMRW/600kN	2 Stück Lasteinleitungsscheiben passend zu KMR+/600kN
1-KMRW/1MN	2 Stück Lasteinleitungsscheiben passend zu KMR+/1MN
1-KMRW/2MN	2 Stück Lasteinleitungsscheiben passend zu KMR+/2MN

3.3 Ausstattungsvarianten

Der Kraftaufnehmer ist in verschiedenen Ausführungen erhältlich. Folgende Optionen stehen zur Verfügung:

Nennkraft

Sie können die Kraftaufnehmer in Nennkräften zwischen 20 kN und 2 MN beziehen. Die Nennkraft ist die Kraft, bis zu der der Messring dauerhaft und dynamisch belastet werden kann, ohne dass Schäden auftreten. Bitte beach-

ten Sie, dass der Sensor auch bis zur Gebrauchslast genutzt werden kann, aber bei dauerhaft dynamischer Nutzung bis zu dieser Kraft, Schaden nehmen kann. Wählen Sie im Zweifel ein größeres Modell.

Kabellänge

Die Standardkabellänge ist 1,5 m. Auf Wunsch können Sie den KMR+ auch mit den folgenden Kabellängen bestellen:

- 3 m
- 5 m
- 6 m
- 7 m
- 12 m

Stecker Montage

Als Standard wird der KMR+ ohne montierten Stecker geliefert: Das Kabel ist dann zur Montage vorbereitet (endisolierte Kabelenden, Schirmung zur Auflage vorbereitet). Auf Wunsch montieren wir die folgenden Stecker:

- Stecker „Greenline“ MS3106PEMV zum Anschluss an ältere HBM Messverstärker, z.B. DK38
- Stecker D-SUB, 15-poliger zweireihiger Stecker zum Anschluss an viele HBM Messverstärker, z.B. Scout oder MGCplus mit AP01i oder AP14i
- Stecker SUB-HD, 15-poliger Stecker dreireihig zum Anschluss an die Messverstärker der Familie QuantumX

4 Allgemeine Anwendungshinweise

Die Kraftaufnehmer sind für Messungen von Druckkräften geeignet. Sie messen statische und dynamische Kräfte und verlangen daher eine umsichtige Handhabung. Besondere Aufmerksamkeit erfordern hierbei Transport und Einbau. Stöße oder Stürze können zu permanentem Schaden am Aufnehmer führen.

Die Grenzen für die zulässigen mechanischen, thermischen und elektrischen Beanspruchungen sind im *Kapitel 10 „Technische Daten nach VDI/VDE 2638“*, Seite 24 aufgeführt. Bitte berücksichtigen Sie diese unbedingt bei der Planung der Messanordnung, beim Einbau und letztendlich im Betrieb.

5 Aufbau und Wirkungsweise

5.1 Funktionsweise der Kraftaufnehmer

Der Messkörper ist ein Verformungskörper aus Stahl, auf dem vier oder acht DMS so installiert sind, dass sich zwei (oder vier) DMS bei Einwirkung einer Kraft längen und zwei (oder vier) DMS gestaucht werden. Die DMS wandeln die Längenänderung proportional in eine Änderung ihres elektrischen Widerstandes. Die DMS sind zur Wheatstone'schen Brücke verschaltet. Wenn die Messbrücke von außen mit einer Spannung versorgt wird, so ändert sich die Ausgangsspannung proportional zur Längenänderung der DMS und somit proportional zur aufgebrachten Kraft. Zur Weiterverarbeitung des Ausgangssignals ist ein geeigneter Brückenverstärker notwendig.

5.2 DMS-Abdeckung

Zum Schutz der DMS verfügen die Kraftaufnehmer über dünne Gehäuse, die aus rostfreiem Stahl gefertigt sind und hermetische Dichtigkeit garantieren. Somit ist der KMR+ auch zum Einsatz unter hohen Feuchten und im Außenbereich geeignet.

Um die Schutzwirkung nicht zu gefährden, dürfen die Gehäuse keinesfalls entfernt oder beschädigt werden.

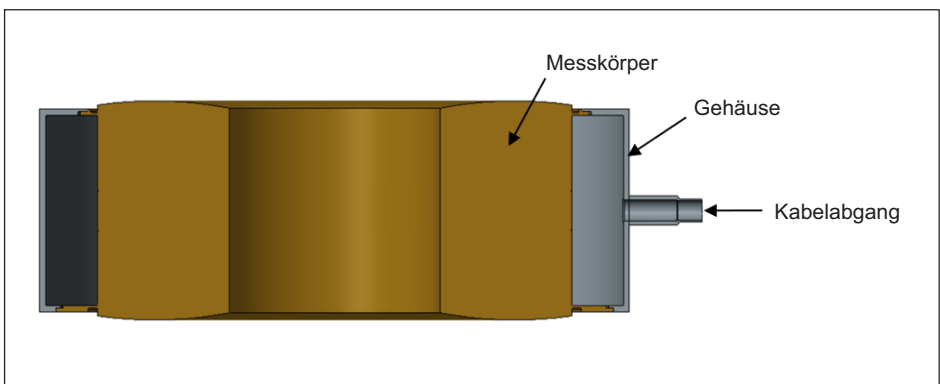


Abb. 5.1 Kraftmessring im Schnitt mit metallischem Schutzgehäuse

6 Bedingungen am Einsatzort

Schützen Sie den Aufnehmer vor Witterungseinflüssen wie beispielsweise Regen, Schnee, Eis und Salzwasser.

6.1 Umgebungstemperatur

Die Temperatureinflüsse auf das Nullsignal sowie auf den Kennwert sind kompensiert.

Um optimale Messergebnisse zu erzielen, müssen Sie den Nenntemperaturbereich einhalten. Die Anordnung der DMS bewirkt konstruktionsbedingt eine Unempfindlichkeit gegenüber Temperaturgradienten. Trotzdem wirken konstante, sich allenfalls langsam ändernde Temperaturen günstig auf die Genauigkeit aus. Ein Strahlungsschild und allseitige Wärmedämmung bewirken merkliche Verbesserungen. Sie dürfen aber keinen Kraftnebenschluss bilden.

6.2 Feuchtigkeits- und Korrosionsschutz

Die Kraftaufnehmer sind hermetisch gekapselt und deshalb sehr unempfindlich gegen Feuchtigkeit.

Die Sensoren der Baureihe KMR+ erfüllen die Anforderungen der Schutzart IP68 und sind für den Außeneinsatz geeignet. (Prüfbedingung: 100 h/1 m Wassersäule).

Bei Kraftaufnehmern aus nichtrostendem Stahl ist zu beachten, dass Säuren und alle Stoffe, die Ionen freisetzen, auch nichtrostende Stähle und deren Schweißnähte angreifen. Die dadurch eventuell auftretende Korrosion kann zum Ausfall des Kraftaufnehmers führen. In diesem Fall sind entsprechende Schutzmaßnahmen vorzusehen.

Wir empfehlen, den Sensor vor dauerhafter Feuchteeinwirkung und Witterung zu schützen.

6.3 Ablagerungen

Staub, Schmutz und andere Fremdkörper dürfen sich nicht so ansammeln, dass sie einen Teil der Messkraft umleiten und dadurch den Messwert verfälschen (Kraftnebenschluss).

7 Mechanischer Einbau

7.1 Wichtige Vorkehrungen beim Einbau

- Behandeln Sie den Aufnehmer schonend.
- Beachten Sie die Anforderungen an die Krafteinleitungsteile entsprechend den nachfolgenden Abschnitten dieser Bedienungsanleitung
- Es dürfen keine Schweißströme über den Aufnehmer fließen. Sollte diese Gefahr bestehen, so müssen Sie den Aufnehmer mit einer geeigneten niederohmigen Verbindung elektrisch überbrücken. Hierzu bietet z.B. HBM das hochflexible Erdungskabel EEK an, das oberhalb und unterhalb des Aufnehmers angeschraubt wird.
- Stellen Sie sicher, dass der Aufnehmer bei der Montage nicht überlastet werden kann.



WARNUNG

Bei einer Überlastung des Aufnehmers besteht die Gefahr, dass der Aufnehmer bricht. Dadurch können Gefahren für das Bedienpersonal der Anlage auftreten, in die der Aufnehmer eingebaut ist.

- Treffen Sie geeignete Sicherungsmaßnahmen zur Vermeidung einer Überlastung oder zur Sicherung gegen sich daraus ergebende Gefahren. Die maximalen möglichen mechanischen Belastungen, insbesondere die Bruchkraft, sind in den technischen Daten vermerkt.
- Beachten Sie beim Einbau und während des Betriebs des Aufnehmers die maximalen parasitären Kräfte:
 - Querkräfte
 - exzentrische Krafteinleitung und Drehmomente
 - und die maximal zulässige Belastbarkeit der verwendeten Krafteinleitungsteile.

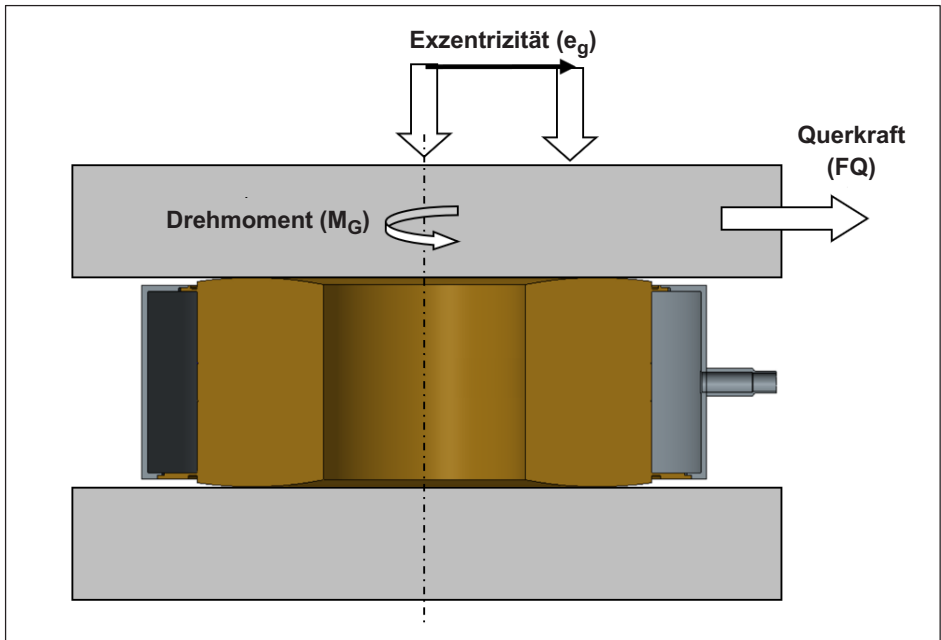


Abb. 7.1 Parasitäre Lasten

7.2 Allgemeine Einbaurichtlinien

Die zu messenden Kräfte müssen möglichst genau in Messrichtung auf den Aufnehmer wirken. Außermittige Belastungen und Querkräfte können zu Messfehlern führen und bei Überschreitung der Grenzwerte den Aufnehmer zerstören.

Der KMR+ ist ein Sensor, der in der endgültigen Montagesituation eingemessen (kalibriert) werden muss, wenn ein quantitativer Messwert gemessen werden soll, da die Empfindlichkeit der Messstelle von der Einbausituation abhängt. Folgende Faktoren können die Empfindlichkeit der Messstelle beeinflussen:

- Steifigkeit anderer Bauteile, z.B. der Schraube mit der der KMR+ montiert wurde
- Unebenheiten der Krafteinleitungsteile, die direkt am KMR+ montiert werden

- Außermittige Kräfteinleitungen
- Verformung der Bauteile, die im Kontakt mit dem KMR+ stehen

Zur Kalibrierung stehen Ihnen bei HBM rückführbare Kraftaufnehmer zur Verfügung, z.B. der Referenzaufnehmer C15. Qualitative Messungen, z.B. relative Änderungen können ohne Kalibrierung gemessen werden.

Nach erfolgter Kalibrierung darf die Einbausituation nicht mehr geändert werden.

Wir empfehlen, die beiden gehärteten Scheiben oberhalb und unterhalb des KMR+ als Kräfteinleitung zu benutzen. Die Scheiben sind gehärtet und weisen eine sehr gute Ebenheit auf, so dass die Last gleichmäßig auf den gesamten Messring verteilt wird. Dabei soll die Fase der Unterlegscheiben vom Sensor weg zeigen (siehe folgende Zeichnung). Federringe, Zahnscheiben oder dergleichen sind nicht geeignet.

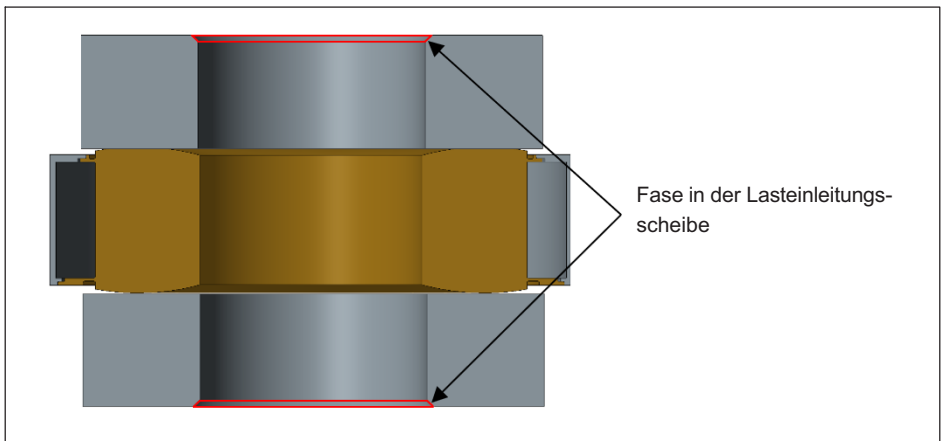


Abb. 7.2 KMR+ mit Lasteinleitungsscheiben in richtiger Orientierung

Sollte Ihnen der Einsatz der mitgelieferten Scheiben nicht möglich sein, so müssen die Anschlussbauteile folgende Eigenschaften aufweisen:

- Härte: 47 ± 2 HRC
- Rauigkeit: 0,8
- Ebenheit: 0,01



VORSICHT

Achten Sie bei der Montage darauf, dass sich der Sensor beim Anziehen der Schrauben oder Muttern mitdrehen könnte. Unter ungünstigen Bedingungen können sie das Kabel abscheren.



Tipp

Ölen Sie den Schraubenkopf leicht, so dass sich dieser drehen kann. Sie verhindern so, dass Drehmoment in den Sensor eingeleitet wird.

7.3 Montagebeispiele

Die folgenden Anwendungsbeispiele sollen Hinweise auf die zahlreichen Anwendungsmöglichkeiten des KMR+ geben.

Überwachung von Schraubverbindungen

KMR+ sind drifffreie Messmittel und eignen sich deshalb besonders gut zur Überwachung und zur Ermittlung des Setzverhaltens von Schraubkräften.

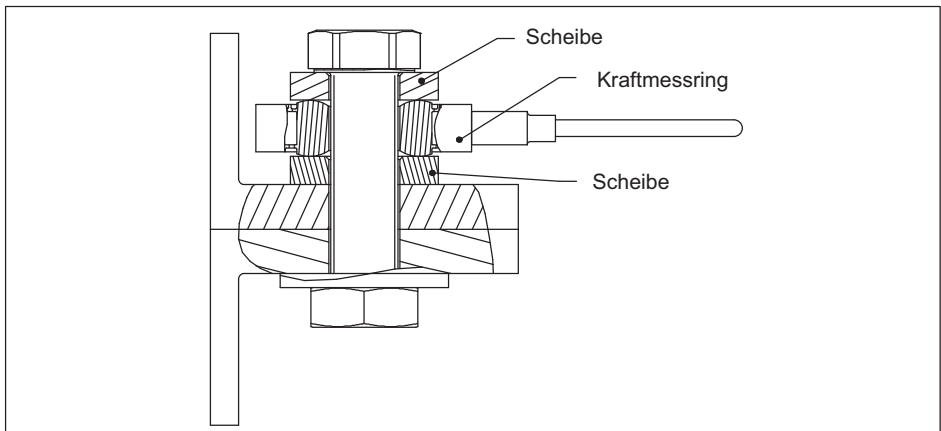


Abb. 7.3 Überwachung einer Schraubvorspannung

Mit diesem Aufbau lassen sich auch Betriebskräfte überwachen, z.B. Druckanstieg in einem Ventil. Die quantitative Kraft, die die Schraube aufbringt, kann so nicht gemessen werden, da der KMR+ nicht kalibriert ist.

Überwachung von Presskräften mit Druckplatten

Mit dem Aufbau gemäß *Abb. 7.4* lassen sich Presskräfte überwachen. Beachten Sie, dass die gehärteten Scheiben nur dann weggelassen werden können, wenn die den KMR+ berührenden Teile den Anforderungen wie im *Kapitel 7.2* beschrieben erfüllen (Härte, Ebenheit, Rauigkeit).

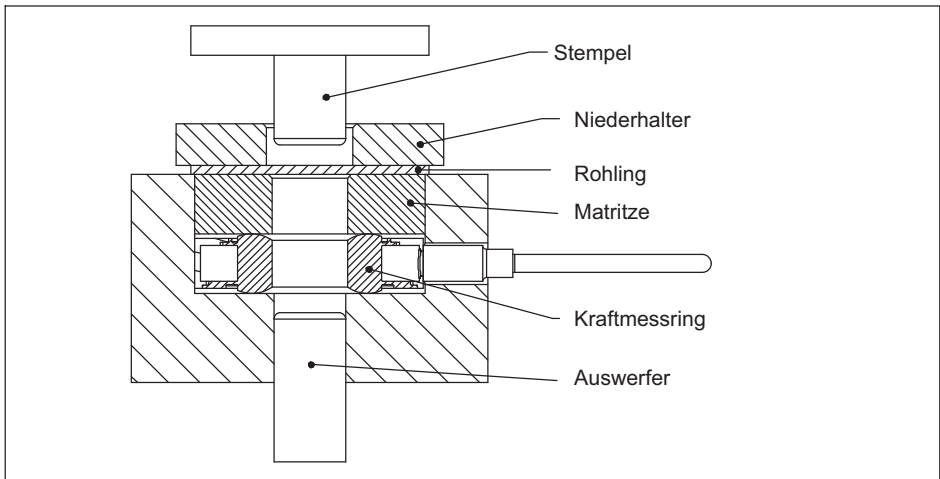


Abb. 7.4 Überwachen einer Presskraft

Überwachung von Seilkräften und Zugankern

Der für Druckkräfte ausgelegte Kraftmessring lässt sich wegen seiner Innenbohrung auch zur Überwachung von Zugkräften verwenden. Achten Sie auf ausreichende Zugfestigkeit aller kraftführenden Bauteile.

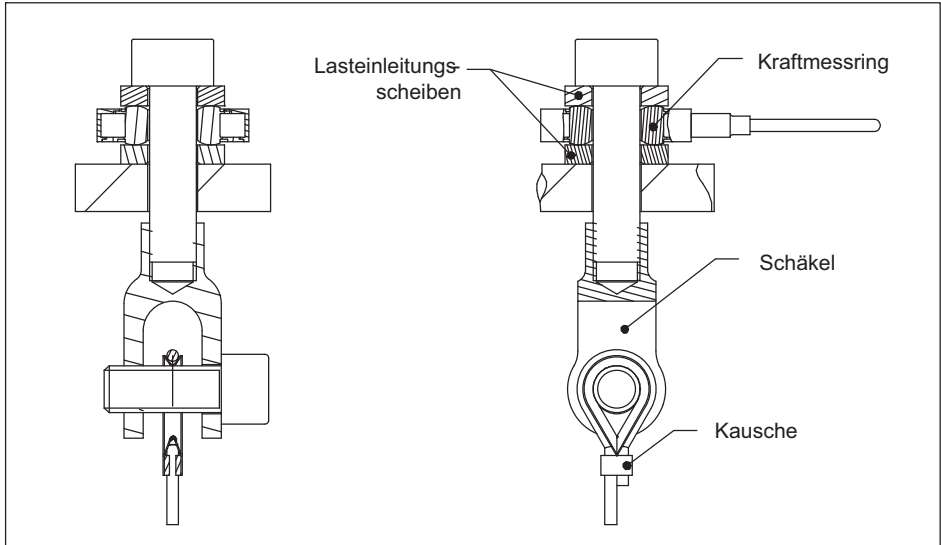


Abb. 7.5 Überwachen von Seilkräften

8 Elektrischer Anschluss

Zur Messsignalverarbeitung können Messverstärker verwendet werden, die für DMS-Messsysteme ausgelegt sind. Es können sowohl Trägerfrequenz als auch Gleichspannungsverstärker angeschlossen werden.

Die Kraftaufnehmer KMR+ werden in Vierleitertechnik ausgeliefert.

8.1 Anschluss in Vierleitertechnik

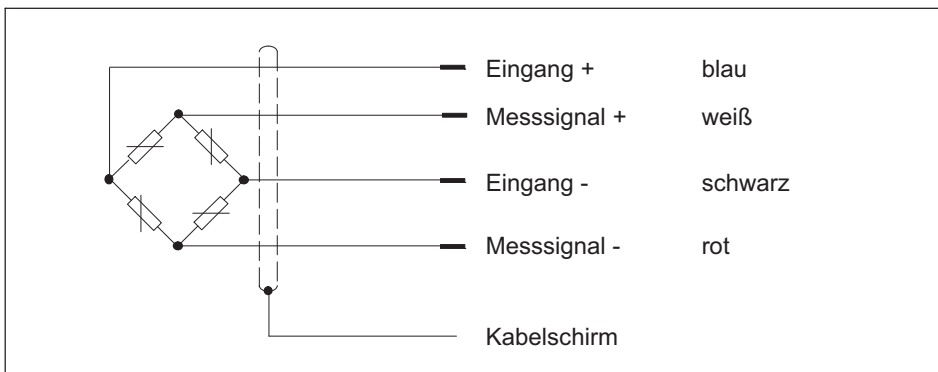


Abb. 8.1 Verschaltung KMR+

Bei dieser Kabelbelegung ist das Ausgangssignal des Aufnehmers am Messverstärker positiv.

Der Kabelschirm ist mit dem Aufnehmergehäuse verbunden. Somit entsteht ein Faraday'scher Käfig, der den Sensor, das Kabel und – insofern richtig verkabelt – den Stecker zum Messverstärker umfasst und so optimale Betriebssicherheit, auch im kritischen EMV-Umfeld, garantiert.

Verwenden Sie ausschließlich Stecker, die den EMV-Richtlinien entsprechen. Die Schirmung ist dabei flächig aufzulegen. Bei anderen Anschlusstechniken ist im Litzbereich eine EMV-feste Abschirmung vorzusehen, bei der ebenfalls die Schirmung flächig aufzulegen ist (siehe auch HBM-Greenline-Information).

8.2 Kabelkürzung oder -verlängerung

Der KMR+ ist ab Werk in verschiedenen Kabellängen erhältlich, so dass Veränderungen der Kabellänge nicht notwendig sein sollten.

Wenn es trotzdem notwendig ist, das Kabel zu verlängern, empfehlen wir, die Verlängerung in Sechisleitertechnik auszuführen.

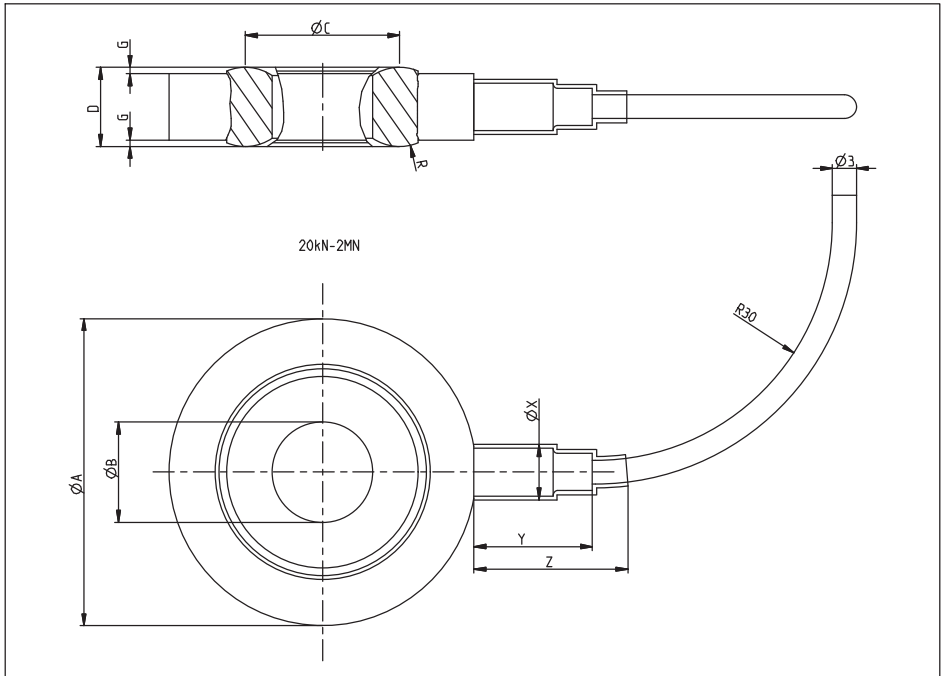
Kabelkürzung sind möglich, beeinflussen jedoch die Empfindlichkeit der Messstelle. Deshalb sollte die Kürzung des Kabels vor dem Einmessen der Messstelle erfolgen.

8.3 EMV-Schutz

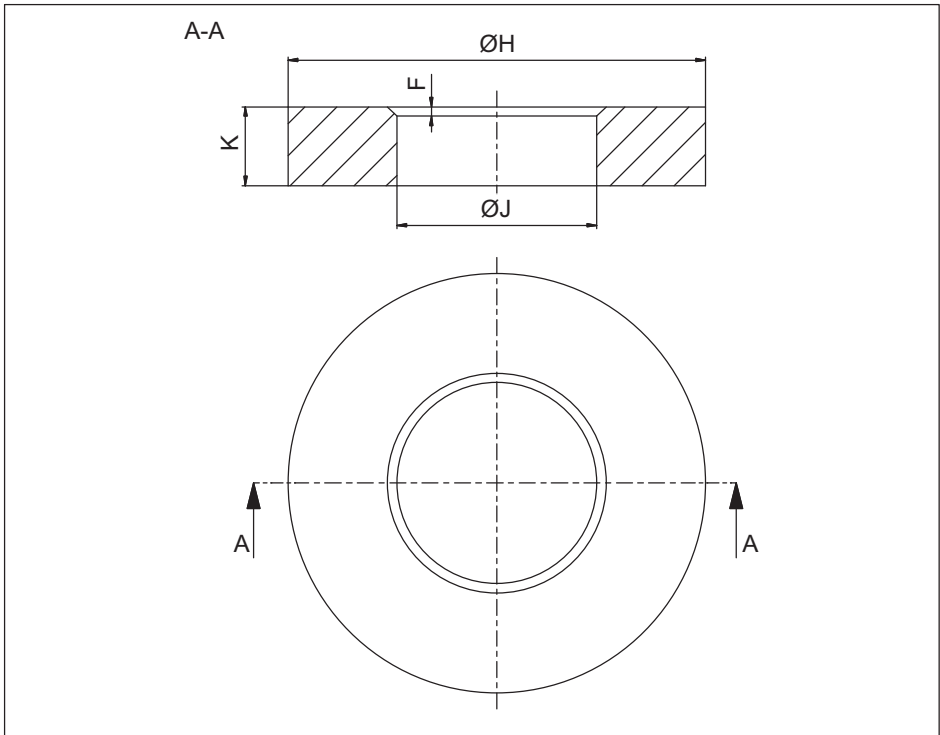
Elektrische und magnetische Felder können eine Einkopplung von Störspannungen in den Messkreis verursachen. Folgendes sollte deshalb beachtet werden:

- ▶ Verwenden Sie nur abgeschirmte, kapazitätsarme Messkabel (HBM-Kabel erfüllen diese Bedingungen).
- ▶ Legen Sie die Messkabel nicht parallel zu Starkstrom- und Steuerleitungen. Falls das nicht möglich ist, schützen Sie das Messkabel, z.B. durch Stahlpanzerrohre.
- ▶ Meiden Sie Streufelder von Trafos, Motoren und Schützen.
- ▶ Schließen Sie alle Geräte der Messkette an den gleichen Schutzleiter an.
- ▶ Den Kabelschirm immer flächig auf das Steckergehäuse legen.

9 Abmessungen



Nennkraft	$\varnothing A_{-0,2}$ mm	$\varnothing B_{+0,1}$ mm	C mm	D mm	G mm	R mm	$\varnothing X_{\pm 0,5}$ mm	Y mm	Z mm
20 kN	19,9	6,5	9,05	8,5	0,65	5	6,7	15	30
40 kN	23,6	8,0	10,84	8,5	0,65	8	6,7	15	30
60 kN	26,9	10,0	13,82	8,5	0,65	12	6,7	15	30
100 kN	38,8	12,7	19,50	10,0	0,80	6	6,7	15	30
200 kN	48,0	16,0	27,35	10,0	0,80	16	6,7	15	30
300 kN	56,3	21,0	35,20	10,5	1,05	18	6,7	15	30
400 kN	60,6	25,0	38,20	12,5	2,05	20	6,7	15	30
500 kN	66,6	28,0	42,80	14,5	0,80	22	6,7	15	30
600 kN	72,1	31,0	46,90	16,5	1,30	24	6,7	15	30
1 MN	87,1	37,0	57,85	24,5	1,30	40	6,7	15	30
2 MN	120,8	43,0	73,80	44,5	1,60	80	6,7	15	30



Nennkraft	$\text{ØH}_{-0,1}$ mm	$\text{ØJ}_{+0,1}$ mm	K mm	F_{x45°
20 kN	17,0	6,5	3,0	0,25
40 kN	21,0	8,0	3,0	0,40
60 kN	24,0	10,0	4,0	0,40
100 kN	26,5	12,7	5,0	0,60
200 kN	34,0	16,0	6,0	0,60
300 kN	42,0	21,0	6,0	1,50
400 kN	46,0	25,0	8,0	1,50
500 kN	55,0	28,0	10,9	1,10
600 kN	60,0	31,0	12,4	1,10
1 MN	75,0	37,0	18,4	1,10
2 MN	100,0	43,0	33,4	1,20

10 Technische Daten nach VDI/VDE 2638

Nennkraft	F _{nom}	kN	20	40	60	100	200	300	400	500	600		
		MN											1
Genauigkeit													
Genauigkeitsklasse		1,5											
Relative Spannweite in unveränderter Einbaulage	b _{rg}	%	1,0										
Rel. Umkehrspanne	v _{0,5}	%	1,5										
Linearitätsabweichung ¹⁾	d _{lin}	%	1,5										
Relatives Kriechen (30 min)	d _{crf}	%	0,5										
Temperatureinfluss auf den Kennwert	TK _C	% / 10K	0,5										
Temperatureinfluss auf das Nullsignal	TK ₀	% / 10K	0,5										
Elektrische Kennwerte													
Nennkennwert	C _{nom}	mV/V	2										
Kennwertabweichung	d _C	%	15										
Relative Abweichung des Nullsignals	d _{s,0}	mV/V	0,2										
Eingangswiderstand	R _e	Ω	310 ... 410				620 ... 800						
Ausgangswiderstand	R _a	Ω	310 ... 370				620 ... 720						
Isolationswiderstand	R _{is}	Ω	> 10 ⁹										
Gebrauchsbereich der Speisespannung	B _{U,G}	V	0,5 ... 12										
Referenzspeisespannung	U _{ref}	V	5										
Anschluss		4-Leiterschaltung											

Nennkraft	F_{nom}	kN	20	40	60	100	200	300	400	500	600		
		MN											1
Temperatur													
Referenztemperatur	t_{ref}	°C	23										
Nenntemperaturbereich	$B_{T,nom}$	°C	-30...70										
Gebrauchstemperaturbereich	$B_{T,G}$	°C	-30...85										
Lagertemperaturbereich	$B_{T,S}$	°C	-30...85										
Mechanische Kenngrößen													
Maximale Gebrauchskraft	F_G	% von F_{nom}	125				150				160	180	
Grenzkraft	F_L	% von F_{nom}	125				150				160	180	
Bruchkraft	F_B		> 300	> 400									
Statische Grenzquerkraft ²⁾ (bei Belastung mit Nennkraft)	F_Q	% von F_{nom}	12										
Zulässige Exzentrizität (bei Belastung mit Nennkraft)	e_g	mm	1,6	2,0	3,4	1,5	4,6	4,4	5,2	5,5	6,3	9,9	12,8
Zulässige Exzentrizität (bei Belastung mit 50 % der Nennkraft)	e_g	mm	3,4	4,3	5,3	7,3	10,3	12,4	14,3	16,1	17,6	21,7	27,7
Zulässiges Drehmoment (bei Belastung mit Nennkraft)	M_G	Nm	33	75	169	194	975	1425	2250	3000	3750	8250	20250
Nennmessweg ±15%	S_{nom}	µm	19,0	23,9	24,2	32,0	35,1	41,5	49,8	56,8	60,4	85,8	140,8
Steifigkeit	c	kN / µm	1,1	1,7	2,5	3,1	5,7	7,2	8,0	8,8	9,9	11,6	14,2
Grundresonanzfrequenz	f_G	kHz	48,1	51,7	54,9	42,6	44,1	41,3	38,1	33,2	30,5	21,6	12,6
Relative zulässige Schwingbeanspruchung	F_{rb}	% von F_{nom}	85										

Nennkraft	F _{nom}	kN	20	40	60	100	200	300	400	500	600			
		MN											1	2
Allgemeine Angaben														
Gewicht (ohne Kabel)	g	12	16	21	43	74	108	140	202	270	633	2275		
Kabellängen	m	1,5 (Standard) / 3,0 / 5,0 / 6,0 / 7,0 / 12,0												
Schutzart nach DIN EN 60529 ³⁾	IP68													
Messkörper-/Gehäusematerial	rostfreier Stahl													
Kabel	4-Leiter, PUR Isolation, geschirmt													

- 1) Im montiertem Zustand mit einer Vorlast von 30 % der Nennkraft
- 2) Die maximale Querkraft ist begrenzt durch den Reibfaktor (0,12)
- 3) Prüfbedingung: 1 Meter Wassersäule, 100 Stunden

Operating Manual | Bedienungsanleitung |
Manuel d'emploi | Istruzioni per l'uso | 操作说明书

English

Deutsch

Français

Italiano

中文



KMR+



1	Consignes de sécurité	3
2	Marquages utilisés	7
2.1	Marquages utilisés dans le présent document	7
3	Étendue de la livraison et variantes d'équipement	8
3.1	Étendue de la livraison	8
3.2	Accessoires	8
3.3	Variante d'équipement	8
4	Consignes générales d'utilisation	10
5	Conception et principe de fonctionnement	11
5.1	Fonctionnement des capteurs de force	11
5.2	Recouvrement des jauges	11
6	Conditions sur site	12
6.1	Température ambiante	12
6.2	Protection contre l'humidité et la corrosion	12
6.3	Dépôts	12
7	Montage mécanique	13
7.1	Précautions importantes lors du montage	13
7.2	Directives de montage générales	14
7.3	Exemples de montage	16
8	Raccordement électrique	19
8.1	Raccordement en technique 4 fils	19
8.2	Raccourcissement ou rallongement du câble	20
8.3	Protection CEM	20
9	Dimensions	21
10	Caractéristiques techniques selon VDI/VDE 2638	24

1 Consignes de sécurité

Utilisation conforme

Les capteurs de force de type KMR+ sont exclusivement conçus pour la mesure de forces en compression statiques et dynamiques dans le cadre des limites de charge spécifiées dans les caractéristiques techniques. Toute autre utilisation est considérée comme non conforme.

Pour garantir un fonctionnement sûr, il faut impérativement respecter les instructions du présent manuel d'emploi, de même que les consignes de sécurité ci-après et les données indiquées au niveau des caractéristiques techniques. De plus, il convient, pour chaque cas particulier, de respecter les règlements et consignes de sécurité correspondants.

Les capteurs de force ne sont pas destinés à être mis en œuvre comme éléments de sécurité. Reportez-vous à ce sujet au paragraphe "Mesures de sécurité supplémentaires". Afin de garantir un fonctionnement parfait et en toute sécurité des capteurs de force, il convient de veiller à un transport, un stockage, une installation et un montage appropriés et d'assurer un maniement scrupuleux.

Limites de capacité de charge

Lors de l'utilisation des capteurs de force, respecter impérativement les données fournies dans les caractéristiques techniques. Les charges maximales indiquées ne doivent notamment en aucun cas être dépassées. Il ne faut pas dépasser les valeurs indiquées dans les caractéristiques techniques pour :

- les forces limites,
- les forces transverses limites,
- la valeur maximale d'excentricité de l'introduction de la force,
- les forces de rupture,
- les charges dynamiques admissibles,
- les limites de température,
- les limites de charge électrique.

En cas de branchement de plusieurs capteurs de force, il faut noter que la répartition des charges / des forces n'est pas toujours uniforme de sorte qu'un capteur de force peut être surchargé alors que le signal total n'a pas encore atteint la somme des forces nominales des capteurs branchés en parallèle.

Utilisation en tant qu'éléments de machine

Les capteurs de force peuvent être utilisés en tant qu'éléments de machine. Dans ce type d'utilisation, il convient de noter que les capteurs de force ne peuvent pas présenter les facteurs de sécurité habituels en construction mécanique car l'accent est mis sur la sensibilité élevée. Reportez-vous à ce sujet au paragraphe "Limites de capacité de charge" et aux caractéristiques techniques.

Prévention des accidents

Bien que la force de rupture corresponde à un multiple de la pleine échelle, il est impératif de respecter les directives pour la prévention des accidents du travail éditées par les caisses professionnelles d'assurance accident. Cela s'applique notamment au transport et au montage.

Mesures de sécurité supplémentaires

Les capteurs de force ne peuvent déclencher (en tant que capteurs passifs) aucun arrêt (de sécurité). Il faut pour cela mettre en œuvre d'autres composants et prendre des mesures constructives, tâches qui incombent à l'installateur et à l'exploitant de l'installation.

Lorsque les capteurs de force risquent de blesser des personnes ou endommager des biens suite à une rupture ou un dysfonctionnement, l'utilisateur doit prendre des mesures de sécurité supplémentaires appropriées afin de répondre au moins aux exigences des directives pour la prévention des accidents du travail (par ex. dispositifs d'arrêt automatiques, protections contre les surcharges, lanières ou chaînes de sécurité ou tout autre dispositif anti-chute). L'électronique traitant le signal de mesure doit être conçue de manière à empêcher tout endommagement consécutif à une panne du signal.

Risques généraux en cas de non-respect des consignes de sécurité

Les capteurs de force sont conformes au niveau de développement technologique actuel et présentent une parfaite sécurité de fonctionnement.

Les capteurs peuvent représenter un danger s'ils sont montés, installés, utilisés et manipulés de manière incorrecte par du personnel non qualifié. Toute personne chargée de l'installation, de la mise en service, de l'utilisation ou de la réparation d'un capteur de force doit impérativement avoir lu et compris le présent manuel d'emploi et notamment les informations relatives à la sécurité.

En cas d'utilisation non conforme des capteurs de force, de non-respect du manuel d'emploi, ainsi que des présentes consignes de sécurité ou de toute autre consigne de sécurité applicable (par ex. les directives pour la prévention des accidents du travail éditées par les caisses professionnelles d'assurance accident), les capteurs de force peuvent être endommagés ou détruits. En cas de dépassements de charge notamment, les capteurs de force peuvent se briser. En outre, la rupture d'un capteur de force peut endommager des biens ou blesser des personnes se trouvant à proximité du capteur de force.

Si les capteurs de force sont utilisés pour un usage non conforme ou que les consignes de sécurité ou encore les prescriptions du manuel d'emploi sont ignorées, cela peut entraîner une panne ou des dysfonctionnements des capteurs de force. Cela pourrait provoquer des préjudices corporels ou matériels (de par les charges agissant sur les capteurs de force ou celles surveillées par ces derniers).

Les performances du capteur et l'étendue de la livraison ne couvrent qu'une partie des techniques de mesure de force car les mesures effectuées avec des capteurs à jauges (résistifs) supposent l'emploi d'un traitement de signal électronique. La sécurité dans le domaine de la technique de mesure de force doit également être conçue, mise en œuvre et prise en charge par l'ingénieur/ le constructeur/l'exploitant de manière à minimiser les dangers résiduels. Il convient de respecter les réglementations nationales et locales en vigueur.

Transformations et modifications

Il est interdit de modifier le capteur sur le plan conceptuel ou celui de la sécurité sans accord explicite de notre part. Nous ne pourrions en aucun cas être tenus responsables des dommages qui résulteraient d'une modification quelconque.

Maintenance

Les capteurs de force KMR+ sont sans entretien.

Élimination des déchets

Conformément aux réglementations nationales et locales en matière de protection de l'environnement et de recyclage, les capteurs hors d'usage doivent être éliminés séparément des ordures ménagères normales. Pour plus d'informations sur l'élimination d'appareils, consultez les autorités locales ou le revendeur auprès duquel vous avez acheté le produit en question.

Personnel qualifié

Sont considérées comme personnel qualifié les personnes familiarisées avec l'installation, le montage, la mise en service, l'exploitation et le démontage du produit, et disposant des qualifications nécessaires à l'accomplissement de leur tâche. En font partie les personnes remplissant au moins une des trois conditions suivantes :

- Elles connaissent les concepts de sécurité de la technique d'automatisation et les maîtrisent en tant que chargé de projet.
- En qualité d'opérateur des installations d'automatisation, ces personnes ont été formées pour pouvoir utiliser les installations. Elles savent comment utiliser les appareils et technologies décrits dans le présent document.
- En tant que personne chargée de la mise en service ou de la maintenance, ces personnes disposent d'une formation les autorisant à réparer les installations d'automatisation. En outre, ces personnes sont autorisées à mettre en service, mettre à la terre et marquer des circuits électriques et des instruments selon les normes des techniques de sécurité.


De plus, il convient, pour chaque cas particulier, de respecter les règlements et consignes de sécurité correspondants. Ceci s'applique également à l'utilisation des accessoires.

Le capteur de force doit uniquement être manipulé par du personnel qualifié conformément aux caractéristiques techniques et aux consignes de sécurité.

2 Marquages utilisés

2.1 Marquages utilisés dans le présent document

Les consignes importantes pour votre sécurité sont repérées d'une manière particulière. Respectez impérativement ces consignes pour éviter tout accident et/ou dommage matériel.

Symbole	Signification
 AVERTISSEMENT	Ce marquage signale un risque <i>potentiel</i> qui – si les dispositions relatives à la sécurité ne sont pas respectées – <i>peut avoir</i> pour conséquence de graves blessures corporelles, voire la mort.
 ATTENTION	Ce marquage signale un risque <i>potentiel</i> qui – si les dispositions relatives à la sécurité ne sont pas respectées – <i>peut avoir</i> pour conséquence des blessures corporelles de gravité minime ou moyenne.
Note	Ce marquage signale une situation qui – si les dispositions relatives à la sécurité ne sont pas respectées – <i>peut avoir</i> pour conséquence des dégâts matériels.
 Important	Ce marquage signale que des informations <i>importantes</i> concernant le produit ou sa manipulation sont fournies.
 Conseil	Ce marquage est associé à des conseils d'utilisation ou autres informations utiles.
 Information	Ce marquage signale que des informations concernant le produit ou sa manipulation sont fournies.
<i>Mise en valeur</i> <i>Voir ...</i>	Les caractères en italique mettent le texte en valeur et signalent des renvois à des chapitres, des illustrations ou des documents et fichiers externes.

3 Étendue de la livraison et variantes d'équipement

3.1 Étendue de la livraison

- Capteur de force KMR+
- Manuel d'emploi KMR+
- Deux rondelles trempées et rectifiées pour l'introduction de la force

3.2 Accessoires

Numéro de commande	
1-KMRW/20kN	2 rondelles d'application de charge adaptées au KMR+/20kN
1-KMRW/40kN	2 rondelles d'application de charge adaptées au KMR+/40kN
1-KMRW/60kN	2 rondelles d'application de charge adaptées au KMR+/60kN
1-KMRW/100kN	2 rondelles d'application de charge adaptées au KMR+/100kN
1-KMRW/200kN	2 rondelles d'application de charge adaptées au KMR+/200kN
1-KMRW/300kN	2 rondelles d'application de charge adaptées au KMR+/300kN
1-KMRW/400kN	2 rondelles d'application de charge adaptées au KMR+/400kN
1-KMRW/500kN	2 rondelles d'application de charge adaptées au KMR+/500kN
1-KMRW/600kN	2 rondelles d'application de charge adaptées au KMR+/600kN
1-KMRW/1MN	2 rondelles d'application de charge adaptées au KMR+/1MN
1-KMRW/2MN	2 rondelles d'application de charge adaptées au KMR+/2MN

3.3 Variantes d'équipement

Le capteur de force est disponible en diverses versions. Les options suivantes sont disponibles :

Force nominale

Vous pouvez obtenir le capteur de force avec des forces nominales entre 20 kN et 2 MN. La force nominale représente la force maximale qui peut être appliquée sur la rondelle de charge de manière dynamique et durable sans que celle-ci ne soit endommagée. Notez que le capteur peut aussi être utilisé jusqu'à la charge utile, mais qu'il risque d'être endommagé s'il est utilisé jusqu'à cette force de manière dynamique et durable. En cas de doute, optez pour un plus gros modèle.

Longueur de câble

La longueur de câble standard est de 1,5 m. Si vous le souhaitez, vous pouvez également commander le KMR+ avec les longueurs de câble suivantes :

- 3 m
- 5 m
- 6 m
- 7 m
- 12 m

Montage d'un connecteur

Par défaut, le KMR+ est livré sans connecteur installé : Le câble est alors préparé pour le montage (extrémités de câble isolées, blindage préparé pour sa pose). Sur demande, nous pouvons monter les connecteurs suivants :

- Connecteur "Greenline" MS3106PEMV pour le raccordement à des amplificateurs de mesure HBM plus anciens, par ex. DK38
- Connecteur D-sub à 15 broches sur deux rangs pour le raccordement à de nombreux amplificateurs de mesure HBM, par ex. Scout ou MGCplus avec AP01i ou AP14i
- Connecteur SUB-HD à 15 broches sur trois rangs pour le raccordement aux amplificateurs de mesure de la famille QuantumX

4 Consignes générales d'utilisation

Les capteurs de force sont conçus pour la mesure de forces en compression. Ils mesurent les forces dynamiques et statiques et doivent donc être maniés avec précaution. Dans ce cadre, le transport et le montage doivent être réalisés avec un soin particulier. Les chocs et les chutes risquent de provoquer un endommagement irréversible du capteur.

Les limites des sollicitations mécaniques, thermiques et électriques autorisées sont disponibles au *chapitre 10*

"Caractéristiques techniques selon VDI/VDE 2638", page 24. Veuillez impérativement en tenir compte lors de la conception de l'agencement de mesure, lors du montage et en fonctionnement.

5 Conception et principe de fonctionnement

5.1 Fonctionnement des capteurs de force

L'élément de mesure est un corps d'épreuve en acier sur lequel sont installées quatre ou huit jauges de façon à ce que deux (ou quatre) jauges s'allongent lors de l'application d'une force et que deux (ou quatre) jauges soient comprimées. Les jauges transforment la variation de longueur en une variation de leur résistance électrique de façon proportionnelle. Les jauges sont branchées en pont de Wheatstone. Si le pont de mesure est alimenté par une tension extérieure, la tension de sortie change alors proportionnellement à la variation de longueur des jauges et donc proportionnellement à la force appliquée. Le traitement du signal de sortie nécessite un amplificateur de mesure d'extensométrie approprié.

5.2 Recouvrement des jauges

Pour protéger les jauges, les capteurs de force sont dotés d'un fin boîtier en acier inoxydable qui assure une étanchéité hermétique. Le KMR+ peut ainsi être utilisé dans des environnements très humides et à l'extérieur.

Pour ne pas porter atteinte à l'effet de cette protection, les boîtiers ne doivent en aucun cas être retirés ou endommagés.

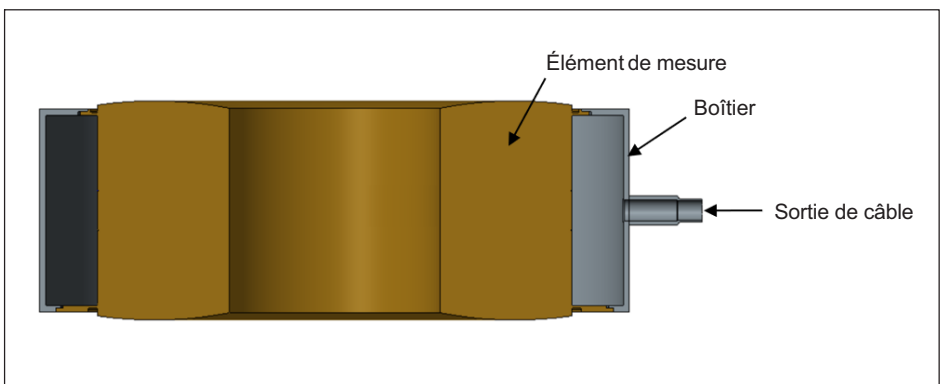


Fig. 5.1 Coupe d'une rondelle de charge avec son boîtier de protection métallique

6 Conditions sur site

Protégez le capteur des intempéries, telles que la pluie, la neige, le gel et l'eau salée.

6.1 Température ambiante

L'influence de la température sur le zéro et la sensibilité est compensée.

Il convient de respecter la plage nominale de température pour obtenir de meilleurs résultats de mesure. La disposition des jauges entraîne, en raison de la construction, une insensibilité aux gradients de température. Des températures constantes, ou variant lentement, ont cependant une influence positive sur la précision. Un blindage anti-rayonnement et une isolation thermique de tous les côtés permettent une nette amélioration. Toutefois, ils ne doivent pas former un shunt.

6.2 Protection contre l'humidité et la corrosion

Les capteurs de force sont fermés hermétiquement et sont donc particulièrement insensibles à l'humidité.

Les capteurs de la série KMR+ satisfont les exigences de l'indice de protection IP68 et peuvent être utilisés à l'extérieur (condition d'essai : 100 h / 1 m de colonne d'eau).

Pour les capteurs de force en acier inoxydable, il faut noter que les acides et toutes les substances libérant des ions attaquent également les aciers inoxydables et leurs cordons de soudure. La corrosion éventuelle qui peut en résulter est susceptible d'entraîner la défaillance du capteur de force. Dans ce cas, il faut prévoir des mesures de protection appropriées.

Nous conseillons de protéger le capteur contre une présence permanente d'humidité et contre les intempéries.

6.3 Dépôts

La poussière, la saleté et autres corps étrangers ne doivent pas s'accumuler de manière à dévier une partie de la force de mesure et ainsi à fausser la valeur de mesure (shunt).

7 Montage mécanique

7.1 Précautions importantes lors du montage

- Manipuler le capteur avec précaution.
- Respecter les exigences que doivent remplir les pièces d'introduction de force stipulées dans les paragraphes qui suivent du présent manuel d'emploi.
- Aucun courant de soudage ne doit traverser le capteur. Si cela risque de se produire, le capteur doit être shunté électriquement à l'aide d'une liaison de basse impédance appropriée. À cet effet, HBM propose par ex. le câble de mise à la terre très souple EEK vissé au-dessus et au-dessous du capteur.
- S'assurer que le capteur ne peut pas être surchargé lors du montage.



AVERTISSEMENT

En cas de surcharge du capteur, ce dernier risque de se briser. Cela peut être dangereux pour les opérateurs de l'installation dans laquelle le capteur est monté.

- Prendre des mesures de protection appropriées pour éviter tout dépassement de charge ou pour se protéger des risques qui pourraient en découler. Les sollicitations mécaniques maximales possibles, notamment la force de rupture, sont indiquées dans les caractéristiques techniques.
- Lors du montage et pendant l'exploitation, faire attention aux forces parasites maximales :
 - Forces transverses
 - Introduction excentrée de la force et moments de torsion
 - Capacité de charge maximale admissible des pièces d'introduction de force utilisées

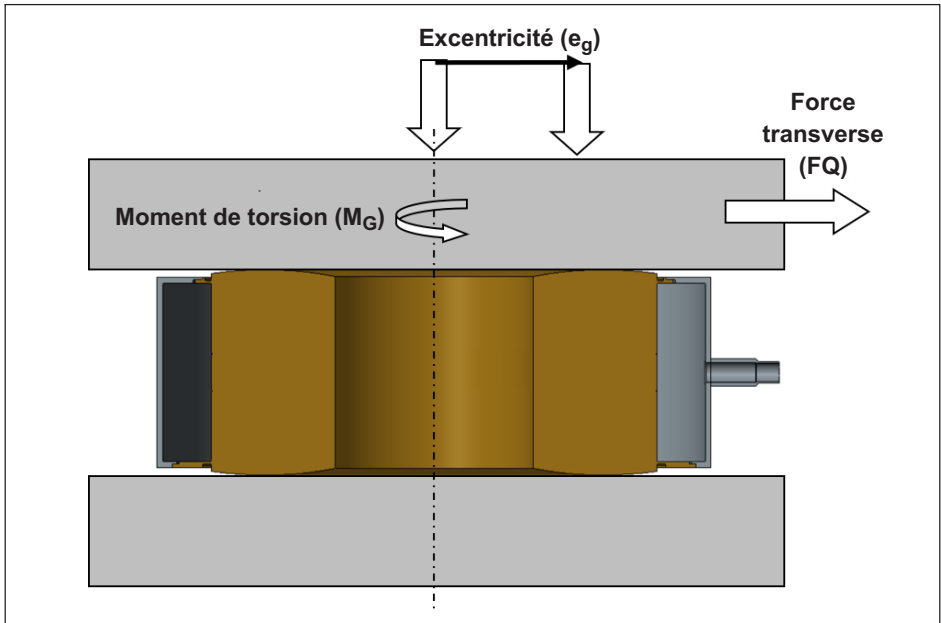


Fig. 7.1 Charges parasites

7.2 Directives de montage générales

Les forces à mesurer doivent, autant que possible, agir précisément sur le capteur dans la direction de mesure. Les charges excentrées et les forces transverses risquent d'entraîner des erreurs de mesure et de détruire le capteur en cas de dépassement des valeurs limites.

Le KMR+ est un capteur qui doit être étalonné dans sa position de montage finale lorsqu'il s'agit d'obtenir une valeur de mesure quantitative car la sensibilité du point de mesure dépend des conditions de montage. Les facteurs suivants peuvent avoir une influence sur la sensibilité du point de mesure :

- Rigidité d'autres composants, par ex. de la vis utilisée pour le montage du KMR+
- Défauts de planéité sur les pièces d'introduction de force montées directement sur le KMR+

- Introductions de force excentrées
- Déformation des composants en contact avec le KMR+

Pour l'étalonnage, HBM propose des capteurs de force "traçables", par ex. le capteur de référence C15. Les mesures qualitatives (de variations relatives, par exemple) peuvent être effectuées sans étalonnage.

Une fois l'étalonnage effectué, il ne faut plus modifier les conditions de montage.

Nous recommandons d'utiliser les deux rondelles trempées au-dessous et en dessous du KMR pour l'introduction de la force. Ces rondelles sont trempées et présentent une très bonne planéité de sorte que la charge est répartie de manière uniforme sur toute la rondelle de charge. Le chanfrein des rondelles doit être orienté vers le côté opposé au capteur (voir le dessin ci-dessous). Les rondelles élastiques, rondelles dentées ou produits similaires ne conviennent pas.

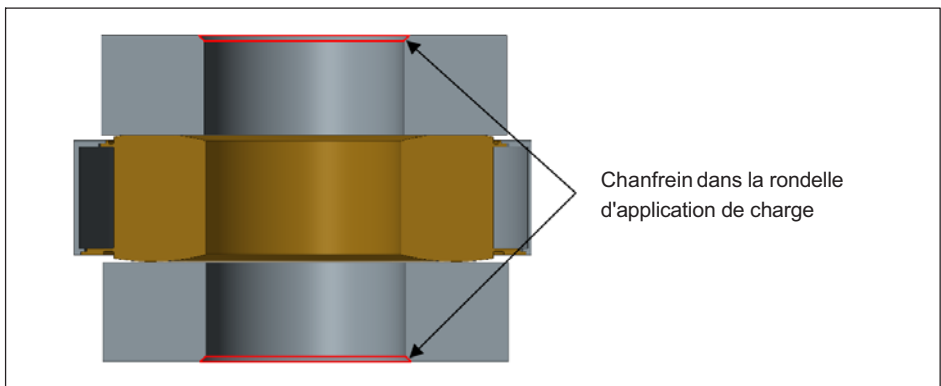


Fig. 7.2 KMR+ avec les rondelles d'application de charge bien orientées

S'il est impossible d'utiliser les rondelles fournies, les pièces utilisées pour le raccordement doivent présenter les propriétés suivantes :

- Dureté : 47 ± 2 HRC
- Rugosité : 0,8
- Planéité : 0,01

**ATTENTION**

Noter que, lors du montage, le capteur peut tourner en même temps que les vis ou écrous lors de leur serrage. Dans le pire des cas, le câble pourrait alors être cisailé.

**Conseil**

Huiler légèrement la tête de vis pour qu'elle puisse tourner. Cela évite qu'un moment de torsion ne soit introduit dans le capteur.

7.3 Exemples de montage

Les exemples d'application suivants doivent donner un aperçu des nombreuses utilisations possibles du KMR+.

Surveillance d'assemblages vissés

Les KMR+ sont des moyens de mesure sans dérive qui conviennent donc parfaitement pour surveiller et déterminer le comportement d'affaissement des forces de vissage.

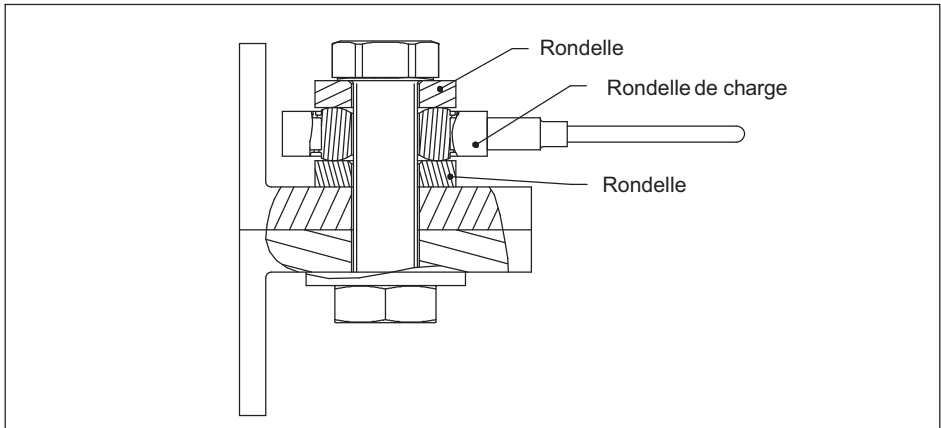


Fig. 7.3 Surveillance d'une précharge de vis

Ce montage permet également de surveiller des forces de travail, par ex. la montée en pression dans une vanne. La force quantitative apportée par la vis ne peut pas être mesurée de cette façon car le KMR+ n'est pas étalonné.

Surveillance de forces d'emboutissage avec des plaques d'appui

Le montage selon *Fig. 7.4* permet de surveiller des forces d'emboutissage. Noter que les rondelles trempées ne peuvent être laissées de côté que si les pièces en contact avec le KMR+ satisfont les exigences décrites au *chapitre 7.2* (dureté, planéité, rugosité).

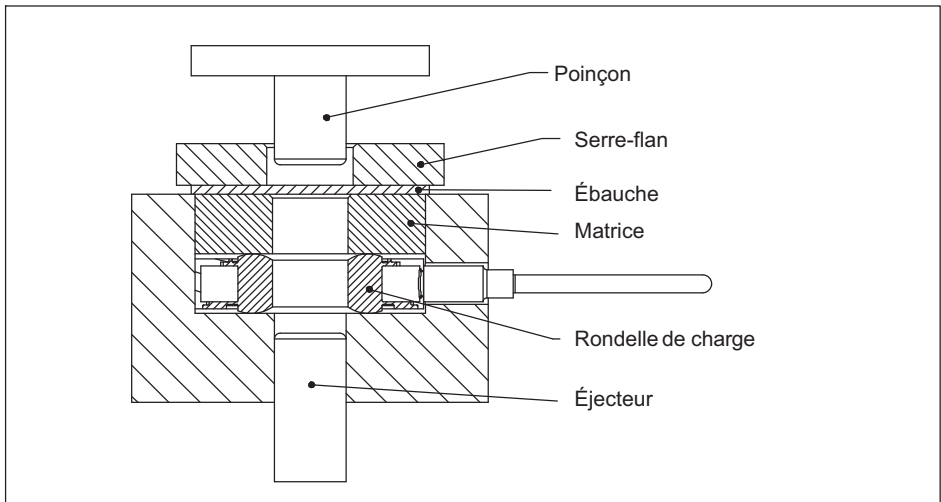


Fig. 7.4 Surveillance d'une force d'emboutissage

Surveillance de tensions de câbles et de tirants d'ancrage

La rondelle de charge conçue pour les forces en compression peut également être utilisée pour surveiller des forces de traction grâce à son alésage intérieur. Veiller à ce que toutes les pièces transmettant les forces aient une résistance à la traction suffisante.

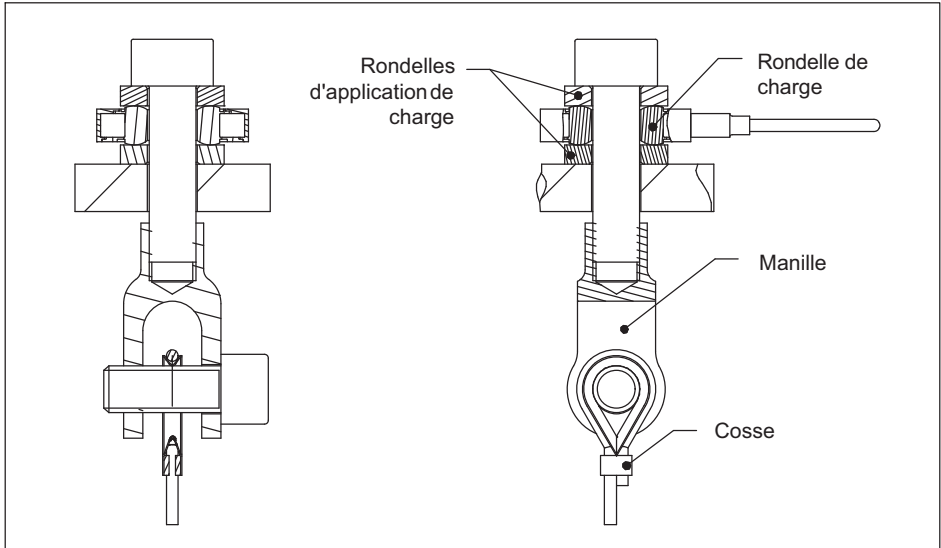


Fig. 7.5 Surveillance de tensions de câbles

8 Raccordement électrique

Pour le traitement des signaux de mesure, il est possible d'utiliser des amplificateurs conçus pour des systèmes de mesure à jauges d'extensométrie. Vous pouvez aussi bien raccorder des amplificateurs à fréquence porteuse que des amplificateurs à courant continu.

Les capteurs de force KMR+ sont livrés en technique 4 fils.

8.1 Raccordement en technique 4 fils

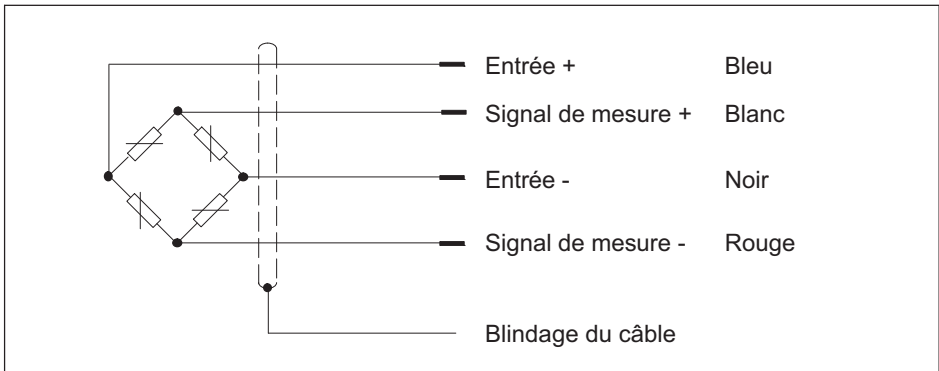


Fig. 8.1 Branchement du KMR+

Avec ce code de câblage, le signal de sortie du capteur au niveau de l'amplificateur de mesure est positif.

Le blindage du câble est raccordé au boîtier du capteur. Cela crée une cage de Faraday qui entoure le capteur, le câble et, s'il est bien raccordé, le connecteur pour l'amplificateur de mesure, ce qui garantit une sécurité de fonctionnement optimale, même dans des environnements CEM critiques.

Utiliser uniquement des connecteurs conformes aux directives CEM. Le blindage doit alors être posé en nappe. Pour les autres techniques de raccordement, il faut prévoir un blindage conforme CEM dans la zone des fils torsadés, celui-ci devant également être posé en nappe (voir aussi les informations Greenline de HBM).

8.2 Raccourcissement ou rallongement du câble

Le KMR+ est proposé départ usine avec diverses longueurs de câble de sorte qu'aucune modification de longueur de câble ne doive être nécessaire.

S'il s'avère malgré tout nécessaire de rallonger le câble, nous conseillons de réaliser cette rallonge en technique 6 fils.

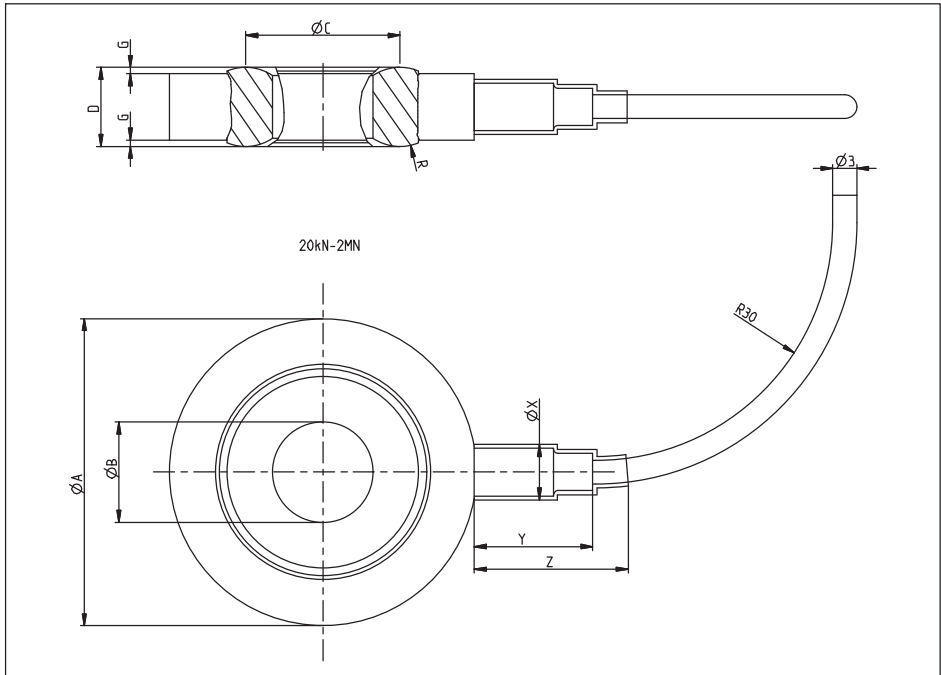
Il est possible de raccourcir le câble, mais cela a alors une influence sur la sensibilité du point de mesure. C'est pourquoi le câble doit être raccourci avant de procéder à l'étalonnage du point de mesure.

8.3 Protection CEM

Les champs électriques et magnétiques risquent de provoquer le couplage de tensions perturbatrices dans le circuit de mesure. Il faut donc observer les points suivants :

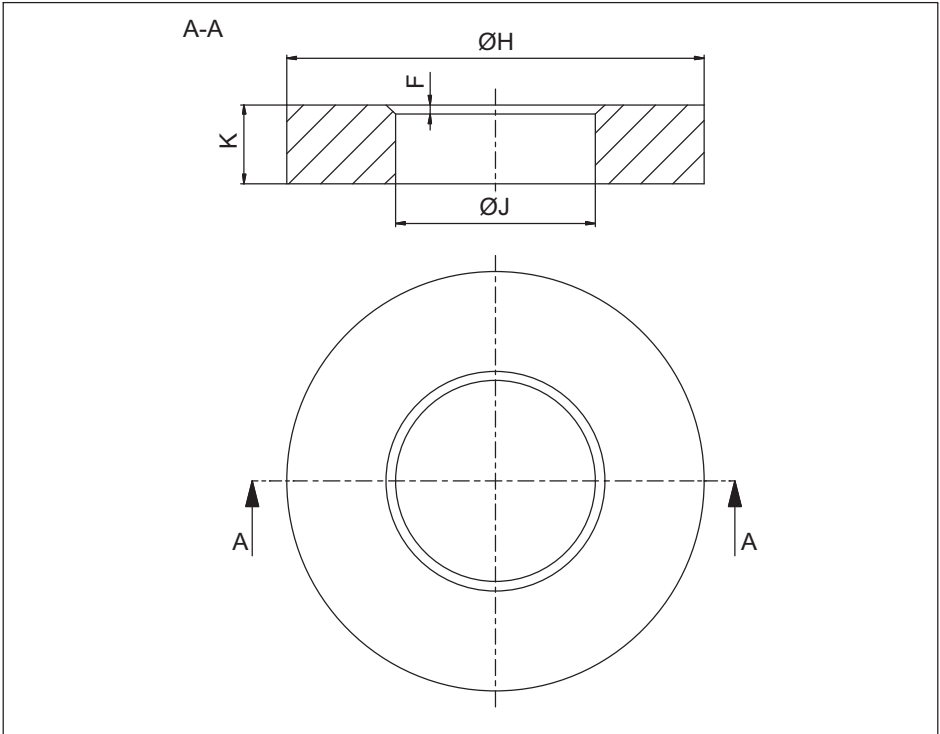
- ▶ Utiliser uniquement des câbles de mesure blindés de faible capacité (les câbles HBM satisfont à ces conditions).
- ▶ Éviter absolument de poser les câbles de mesure en parallèle avec des lignes de puissance et de contrôle. Si cela n'est pas possible, protéger le câble de mesure (par ex. à l'aide de tubes d'acier blindés).
- ▶ Éviter les champs de dispersion des transformateurs, moteurs et vannes.
- ▶ Raccorder tous les appareils de la chaîne de mesure au même fil de terre.
- ▶ Toujours poser le blindage du câble en nappe sur le boîtier de connexion.

9 Dimensions



Force nominale	$\varnothing A$ $-0,2$ mm	$\varnothing B$ $+0,1$ mm	C mm	D mm	G mm	R mm	$\varnothing X$ $\pm 0,5$ mm	Y mm	Z mm
20 kN	19,9	6,5	9,05	8,5	0,65	5	6,7	15	30
40 kN	23,6	8,0	10,84	8,5	0,65	8	6,7	15	30
60 kN	26,9	10,0	13,82	8,5	0,65	12	6,7	15	30
100 kN	38,8	12,7	19,50	10,0	0,80	6	6,7	15	30
200 kN	48,0	16,0	27,35	10,0	0,80	16	6,7	15	30
300 kN	56,3	21,0	35,20	10,5	1,05	18	6,7	15	30
400 kN	60,6	25,0	38,20	12,5	2,05	20	6,7	15	30
500 kN	66,6	28,0	42,80	14,5	0,80	22	6,7	15	30
600 kN	72,1	31,0	46,90	16,5	1,30	24	6,7	15	30

Force nominale	$\varnothing A_{-0,2}$ mm	$\varnothing B_{+0,1}$ mm	C mm	D mm	G mm	R mm	$\varnothing X_{\pm 0,5}$ mm	Y mm	Z mm
1 MN	87,1	37,0	57,85	24,5	1,30	40	6,7	15	30
2 MN	120,8	43,0	73,80	44,5	1,60	80	6,7	15	30



Force nominale	$\varnothing H_{-0,1}$ mm	$\varnothing J_{+0,1}$ mm	K mm	F_{x45°
20 kN	17,0	6,5	3,0	0,25
40 kN	21,0	8,0	3,0	0,40
60 kN	24,0	10,0	4,0	0,40
100 kN	26,5	12,7	5,0	0,60
200 kN	34,0	16,0	6,0	0,60
300 kN	42,0	21,0	6,0	1,50

Force nominale	$\varnothing H_{-0,1}$ mm	$\varnothing J_{+0,1}$ mm	K mm	Fx45°
400 kN	46,0	25,0	8,0	1,50
500 kN	55,0	28,0	10,9	1,10
600 kN	60,0	31,0	12,4	1,10
1 MN	75,0	37,0	18,4	1,10
2 MN	100,0	43,0	33,4	1,20

10 Caractéristiques techniques selon VDI/VDE 2638

Force nominale	F _{nom}	kN	20	40	60	100	200	300	400	500	600		
		MN											1
Exactitude													
Classe de précision			1,5										
Erreur relative de répétabilité sans rotation	b _{rg}	%	1,0										
Erreur de réversibilité relative	v _{0,5}	%	1,5										
Erreur de linéarité ¹⁾	d _{lin}	%	1,5										
Fluage relatif (30 min)	d _{crf}	%	0,5										
Influence de la température sur la sensibilité	TK _C	% / 10K	0,5										
Influence de la température sur le zéro	TK ₀	% / 10K	0,5										
Caractéristiques électriques													
Sensibilité nominale	C _{nom}	mV/V	2										
Écart de la sensibilité	d _C	%	15										
Déviation relative du zéro	d _{s,0}	mV/V	0,2										
Résistance d'entrée	R _e	Ω	310 ... 410				620 ... 800						
Résistance de sortie	R _s	Ω	310 ... 370				620 ... 720						
Résistance d'isolement	R _{is}	Ω	> 10 ⁹										
Plage utile de la tension d'alimentation	B _{U,G}	V	0,5 ... 12										
Tension d'alimentation de référence	U _{ref}	V	5										
Raccordement			Technique 4 fils										

Force nominale	F_{nom}	kN	20	40	60	100	200	300	400	500	600		
		MN											1
Température													
Température de référence	t_{ref}	°C	23										
Plage nominale de température	$B_{T,nom}$	°C	-30...70										
Plage d'utilisation en température	$B_{T,G}$	°C	-30...85										
Plage de température de stockage	$B_{T,S}$	°C	-30...85										
Caractéristiques mécaniques													
Force utile maximale	F_G	% de F_{nom}	125				150				160	180	
Force limite	F_L		125				150				160	180	
Force de rupture	F_B		> 300				> 400						
Force transverse statique limite ²⁾ (avec charge à force nominale)	F_Q	% de F_{nom}	12										
Excentricité admissible (en cas de charge à la force nominale)	e_g	mm	1,6	2,0	3,4	1,5	4,6	4,4	5,2	5,5	6,3	9,9	12,8
Excentricité admissible (en cas de charge à 50 % de la force nominale)	e_g	mm	3,4	4,3	5,3	7,3	10,3	12,4	14,3	16,1	17,6	21,7	27,7
Couple admissible (en cas de charge à la force nominale)	M_G	Nm	33	75	169	194	975	1425	2250	3000	3750	8250	20250
Déplacement nominal $\pm 15\%$	S_{nom}	μm	19,0	23,9	24,2	32,0	35,1	41,5	49,8	56,8	60,4	85,8	140,8
Rigidité	c	kN / μm	1,1	1,7	2,5	3,1	5,7	7,2	8,0	8,8	9,9	11,6	14,2
Fréquence fondamentale	f_G	kHz	48,1	51,7	54,9	42,6	44,1	41,3	38,1	33,2	30,5	21,6	12,6
Charge dynamique admissible	F_{rb}	% de F_{nom}	85										

Force nominale	F _{nom}	kN	20	40	60	100	200	300	400	500	600			
		MN											1	2
Indications générales														
Poids (sans câble)	g	12	16	21	43	74	108	140	202	270	633	2275		
Longueurs de câble	m	1,5 (standard) / 3,0 / 5,0 / 6,0 / 7,0 / 12,0												
Degré de protection selon EN 60529 ³⁾	IP68													
Matériau de l'élément de mesure/du boîtier	Acier inoxydable													
Câble	4 fils, isolation en polyuréthane, blindé													

- 1) Une fois monté, avec une précharge de 30 % de la force nominale
- 2) La force transverse maximale est limitée par le coefficient de frottement (0,12)
- 3) Condition d'essai : 1 m de colonne d'eau, 100 heures

Operating Manual | Bedienungsanleitung |
Manuel d'emploi | **Istruzioni per l'uso** | 操作说明书

English

Deutsch

Français

Italiano

中文



KMR+



1	Note sulla sicurezza	3
2	Simboli utilizzati	7
2.1	Simboli utilizzati nelle presenti istruzioni	7
3	Contenuto della fornitura e varianti di dotazione	8
3.1	Contenuto della fornitura	8
3.2	Accessori	8
3.3	Varianti di dotazione	8
4	Note generali sull'impiego	10
5	Struttura e modo operativo	11
5.1	Funzionamento dei trasduttori di forza	11
5.2	Materiale di rivestimento degli ER	11
6	Condizioni nel luogo d'impiego	12
6.1	Temperatura ambientale	12
6.2	Protezione da umidità e corrosione	12
6.3	Depositi	12
7	Montaggio meccanico	13
7.1	Misure importanti per il montaggio	13
7.2	Direttive generali per il montaggio	14
7.3	Esempi di montaggio	16
8	Collegamento elettrico	19
8.1	Collegamento con circuito a 4 fili	19
8.2	Accorciamento o prolungamento dei cavi	20
8.3	Protezione CEM	20
9	Dimensioni	21
10	Dati tecnici secondo VDI/VDE 2638	24

1 Note sulla sicurezza

Impiego conforme

I trasduttori di forza della serie KMR+ sono concepiti esclusivamente per la misurazione di forze di compressione statiche e dinamiche, entro i limiti di carico specificati nei Dati tecnici. Qualsiasi altro impiego verrà considerato non conforme.

Per garantire la sicurezza operativa, si devono assolutamente osservare le indicazioni delle istruzioni di montaggio, le seguenti note sulla sicurezza e le specifiche indicate nei prospetti dati tecnici. Devono inoltre essere osservate le normative legali e sulla sicurezza in vigore per ogni particolare applicazione.

I trasduttori di forza non si possono impiegare quali componenti di sicurezza. A tal proposito, consultare anche il paragrafo "Misure di sicurezza supplementari". Il funzionamento corretto e sicuro dei trasduttori di forza presuppone che il trasporto, il magazzinaggio, l'installazione ed il montaggio siano adeguati e che l'impiego sia accurato.

Limiti di capacità di carico

Utilizzando i trasduttori di forza osservare assolutamente i limiti specificati nei prospetti dati tecnici. In particolare, non si devono superare in alcun caso i carichi massimi specificati. Non superare assolutamente i seguenti valori massimi specificati nei prospetti dati:

- forze limite
- forze laterali limite
- valore massimo dell'eccentricità dell'introduzione della forza
- forze di rottura
- carichi dinamici ammissibili
- limiti di temperatura
- limiti di capacità di carico elettrica

Collegando più trasduttori di forza considerare che la ripartizione del carico/ della forza non è sempre uniforme, cosicché un trasduttore di forza risulta

sovraccarico anche se il segnale totale non ha ancora raggiunto la somma delle forze nominali dei sensori collegati in parallelo.

Impiego come elementi di macchinari

I trasduttori di forza possono essere usati come elementi di macchinari. Con tale tipo di utilizzo, tenere presente che, per ottenere una sensibilità elevata, i trasduttori di forza non sono stati progettati con i fattori di sicurezza usuali dell'ingegneria meccanica. A tale proposito, fare riferimento al paragrafo "Limiti di capacità di carico" ed ai Dati tecnici.

Prevenzione degli infortuni

Nonostante la forza di rottura sia un multiplo del fondo scala del campo di misura, si devono osservare le prescrizioni antinfortunistiche pertinenti emanate dalle associazioni di categoria. Ciò vale in particolare per il trasporto e il montaggio.

Misure di sicurezza supplementari

Essendo elementi passivi, i trasduttori di forza non possono provocare spegnimenti (rilevanti per la sicurezza). Sono pertanto necessari ulteriori componenti e misure strutturali a cura e responsabilità dell'installatore e del gestore dell'impianto.

Nei casi in cui la rottura o il malfunzionamento dei trasduttori di forza possa provocare lesioni personali o danni materiali, l'utente deve provvedere a opportune misure di sicurezza supplementari che soddisfino almeno i requisiti delle prescrizioni antinfortunistiche in vigore (ad es. arresti automatici di emergenza, protezioni da sovraccarico, cinghie o catene di arresto oppure altre protezioni antiribaltamento). L'elettronica che elabora il segnale di misura deve essere concepita in modo tale che l'eventuale assenza del segnale di misura non causi alcun danno conseguente.

Pericoli generali in caso di non-osservanza delle istruzioni di sicurezza

I trasduttori di forza sono conformi allo stato dell'arte e senza rischio di guasto. I trasduttori possono costituire fonte di pericolo se vengono montati, installati, impiegati e usati in modo non conforme o da personale non addestrato. Chiunque sia incaricato dell'installazione, della messa in funzione, dell'uso o

della riparazione di un trasduttore di forza, è tenuto ad aver letto e compreso il manuale d'istruzione e, in particolare, gli avvisi sulla sicurezza.

Se i trasduttori di forza non vengono impiegati per la loro destinazione d'uso o se vengono ignorati il manuale d'istruzione, le presenti note sulla sicurezza o altre norme sulla sicurezza (prescrizioni antinfortunistiche delle associazioni di categoria), è possibile che essi vengano danneggiati o distrutti. In particolare sovraccarichi possono provocare la rottura dei trasduttori di forza. La rottura di un trasduttore di forza può causare lesioni alle persone o danni alle cose presenti nella zona circostante.

Un uso non conforme dei trasduttori di forza o l'inosservanza delle note sulla sicurezza o delle istruzioni contenute nel manuale d'istruzione può causare guasti o malfunzionamenti. Di conseguenza, possono verificarsi lesioni personali o danni materiali (dovuti ai carichi che agiscono sui trasduttori di forza o monitorati da questi ultimi).

Le prestazioni e il contenuto della fornitura del trasduttore coprono solo una parte della tecnica di misura delle forze, poiché le misurazioni con trasduttori ad ER (resistivi) presuppongono la gestione elettronica del segnale. I progettisti, i fornitori e i gestori dell'impianto devono inoltre progettare, realizzare gli aspetti concernenti la sicurezza della tecnica di misura delle forze e assumersene la responsabilità, in modo da minimizzare i pericoli residui. È richiesta l'osservanza delle prescrizioni vigenti nel rispettivo paese e luogo d'impiego.

Conversioni e modificazioni

Senza il nostro esplicito benestare, non è consentito apportare al trasduttore modifiche dal punto di vista strutturale e della sicurezza. Qualsiasi modifica annulla la nostra eventuale responsabilità per i danni che ne potrebbero derivare.

Manutenzione

I trasduttori di forza KMR+ sono esenti da manutenzione.

Smaltimento

Conformemente alla legislazione nazionale e locale sulla tutela dell'ambiente e sul recupero e riciclaggio dei materiali, i trasduttori non più utilizzabili devono

essere smaltiti separatamente dai normali rifiuti domestici. Per ulteriori informazioni sullo smaltimento, contattare le autorità locali o il rivenditore da cui si è acquistato il prodotto.

Personale qualificato

Per personale qualificato si intendono coloro che abbiano familiarità con l'installazione, il montaggio, la messa in funzione, l'impiego e lo smontaggio del prodotto e che abbiano conseguito la corrispondente qualifica per la loro attività. Fanno parte del personale persone che soddisfino almeno uno dei tre seguenti requisiti:

- Personale del progetto che è a conoscenza e ha familiarità con i concetti di sicurezza della tecnica di automazione.
- Personale di servizio degli impianti di automazione addestrato su come usare gli impianti. Si deve avere familiarità con l'uso della strumentazione e delle tecnologie descritte in questa documentazione.
- È incaricato della messa in funzione o degli interventi di assistenza e ha conseguito una formazione professionale che lo qualifica alla riparazione degli impianti di automazione. Infine, dispone dell'autorizzazione per la messa in funzione, la messa a terra e l'identificazione dei circuiti elettrici e degli strumenti in conformità alle normative relative alla tecnica di sicurezza.


Durante l'uso devono essere inoltre osservate le normative legali e sulla sicurezza previste per ogni specifica applicazione. Quanto sopra affermato vale anche per l'uso di accessori.

Il trasduttore di forza deve essere utilizzato esclusivamente da personale qualificato ed in maniera conforme ai Dati tecnici ed alle norme e prescrizioni di sicurezza.

2 Simboli utilizzati

2.1 Simboli utilizzati nelle presenti istruzioni

Gli avvisi importanti concernenti la sicurezza sono evidenziati in modo specifico. Osservare assolutamente questi avvisi al fine di evitare incidenti e danni materiali.

Simbolo	Significato
 AVVERTIMENTO	Questo simbolo rimanda a una <i>possibile</i> situazione di pericolo che – in caso di mancato rispetto delle disposizioni di sicurezza – <i>può causare la morte o lesioni gravissime</i> .
 ATTENZIONE	Questo simbolo rimanda a una <i>possibile</i> situazione di pericolo che – in caso di mancato rispetto delle disposizioni di sicurezza – <i>può causare lesioni medie o lievi</i> .
Avviso	Questo simbolo rimanda a una situazione che – in caso di mancato rispetto delle disposizioni di sicurezza – <i>può causare danni materiali</i> .
 Importante	Simbolo che rimanda a informazioni <i>importanti</i> sul prodotto o sul suo uso.
 Suggerimento	Questo simbolo rimanda a consigli sull'uso o a altre informazioni utili per l'utente.
 Informazione	Questo simbolo rimanda a informazioni sul prodotto o sul suo uso.
<i>Evidenziazione</i> <i>Vedere ...</i>	Il corsivo indica i punti salienti del testo e contrassegna riferimenti a capitoli, figure o documenti e file esterni.

3 Contenuto della fornitura e varianti di dotazione

3.1 Contenuto della fornitura

- Trasduttore di forza KMR+
- Manuale d'istruzione KMR+
- Due pezzi di rondelle temprate e rettificate per l'introduzione della forza

3.2 Accessori

No. Ordine	
1-KMRW/20kN	2 rondelle di introduzione del carico per KMR+/20kN
1-KMRW/40kN	2 rondelle di introduzione del carico per KMR+/40kN
1-KMRW/60kN	2 rondelle di introduzione del carico per KMR+/60kN
1-KMRW/100kN	2 rondelle di introduzione del carico per KMR+/100kN
1-KMRW/200kN	2 rondelle di introduzione del carico per KMR+/200kN
1-KMRW/300kN	2 rondelle di introduzione del carico per KMR+/300kN
1-KMRW/400kN	2 rondelle di introduzione del carico per KMR+/400kN
1-KMRW/500kN	2 rondelle di introduzione del carico per KMR+/500kN
1-KMRW/600kN	2 rondelle di introduzione del carico per KMR+/600kN
1-KMRW/1MN	2 rondelle di introduzione del carico per KMR+/1MN
1-KMRW/2MN	2 rondelle di introduzione del carico per KMR+/2MN

3.3 Varianti di dotazione

Il trasduttore di forza è disponibile in versioni diverse. Sono disponibili le seguenti opzioni:

Forza nominale

I trasduttori di forza possono essere ordinati con forze nominali tra 20 kN e 2 MN. La forza nominale è la forza fino alla quale l'anello di misura può essere caricato in modo permanente e dinamico senza che si verifichino danni. Si noti

che il sensore può anche essere utilizzato fino al carico di esercizio, ma con un utilizzo dinamico permanente fino a questa forza, può danneggiarsi. In caso di dubbio, scegliere un modello più grande.

Lunghezza del cavo

La lunghezza standard del cavo è di 1,5 m. Se si desidera, è possibile ordinare KMR+ anche con le seguenti lunghezze di cavo:

- 3 m
- 5 m
- 6 m
- 7 m
- 12 m

Montaggio della spina

Di serie KMR + viene fornito senza spina montata: Il cavo è quindi pronto per il montaggio (estremità isolate, schermatura per l'appoggio). Su richiesta, possiamo montare le seguenti spine:

- Spina "Greenline" MS3106PEMV per collegamento ad amplificatori di misura HBM meno recenti, ad es. DK38
- Spina D-SUB, spina a doppia fila a 15 pin per collegamento a numerosi amplificatori di misura HBM, ad es. Scout o MGCplus con AP01i o AP14i
- Spina SUB-HD, spina a tre file a 15 pin per collegamento agli amplificatori di misura della famiglia QuantumX

4 Note generali sull'impiego

I trasduttori di forza sono concepiti per misurare forze di compressione. Misurano forze statiche e dinamiche e richiedono, pertanto, di essere maneggiati con molta attenzione. Specialmente il trasporto ed il montaggio richiedono particolare attenzione. Urti o cadute possono danneggiare permanentemente il trasduttore.

I limiti delle sollecitazioni meccaniche, termiche ed elettriche ammissibili sono indicati nel *Capitolo 1010*

"Dati tecnici secondo VDI/VDE 2638 Technische Daten nach VDI/VDE 2638", pagina 24. È essenziale tener conto di questi limiti durante la pianificazione della disposizione di misurazione, il montaggio e quindi durante l'esercizio.

5 Struttura e modo operativo

5.1 Funzionamento dei trasduttori di forza

Il corpo di misura è un corpo di deformazione in acciaio su cui sono installati quattro o otto estensimetri, in cui, quando viene applicata una forza, due (o quattro) estensimetri si allungano e due (o quattro) DMS vengono compressi. Gli estensimetri convertono proporzionalmente la variazione di lunghezza in una variazione della resistenza elettrica. Gli estensimetri sono collegati al ponte di Wheatstone. Se il ponte di misura viene alimentato con una tensione esterna, la tensione di uscita varia proporzionalmente in base alla variazione di lunghezza degli estensimetri e, quindi, proporzionalmente alla forza applicata. Un apposito amplificatore per ponti estensimetrici permette, a sua volta, di elaborare il segnale di uscita.

5.2 Materiale di rivestimento degli ER

Per proteggere gli estensimetri, i trasduttori di forza sono dotati di custodie sottili in acciaio inossidabile che garantiscono una tenuta ermetica. In questo modo, KMR+ è indicato anche per l'uso in presenza di umidità elevata e all'aperto.

Per non compromettere l'azione di protezione, per nessuna ragione le custodie devono essere rimosse o danneggiate.

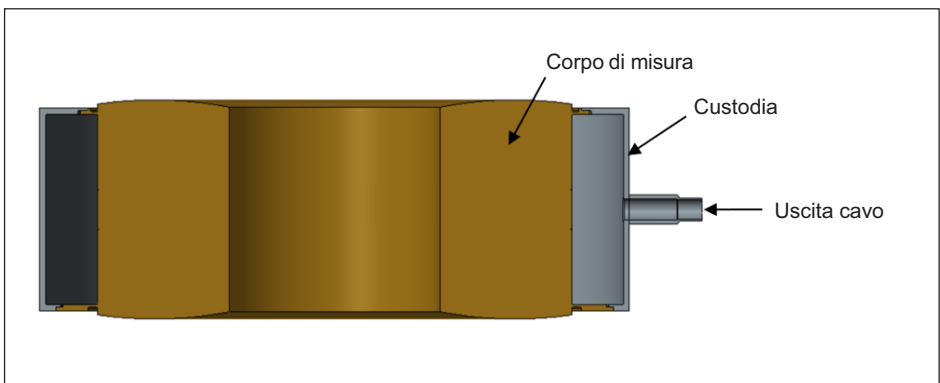


Fig. 5.1 Rondella di forza nella sezione con custodia di protezione metallica

6 Condizioni nel luogo d'impiego

Proteggere il trasduttore dagli agenti atmosferici quali pioggia, neve, ghiaccio ed acqua salmastra.

6.1 Temperatura ambientale

Le influenze della temperatura sullo zero e sulla sensibilità vengono compensate.

Per ottenere risultati di misura ottimali rispettare il campo nominale di temperatura. La disposizione e il design degli estensimetri determina un'insensibilità ai gradienti di temperatura. Ciò nonostante, temperature costanti o che variano molto lentamente hanno un effetto positivo sull'accuratezza di misura. Uno schermo antiradiazioni ed un isolamento termico avvolgente comportano notevoli miglioramenti. Tuttavia fare attenzione a non provocare una derivazione della forza.

6.2 Protezione da umidità e corrosione

I trasduttori di forza sono ad incapsulatura ermetica e quindi molto insensibili all'umidità.

I sensori della serie KMR+ soddisfano i requisiti del grado di protezione IP68 e sono indicati per l'uso esterno. (Condizioni di prova: colonna d'acqua da 100 h/1 m)

Per trasduttori di forza in acciaio inossidabile considerare che gli acidi e tutte le sostanze che rilasciano ioni intaccano anche gli acciai inossidabili ed i relativi cordoni di saldatura. La corrosione eventualmente derivante può causare il guasto del trasduttore di forza. In questo caso occorre prevedere misure di protezione idonee.

Consigliamo di proteggere il sensore dall'effetto permanente dell'umidità e dagli agenti atmosferici.

6.3 Depositi

Polvere, sporcizia ed altri corpi estranei non si devono accumulare sul trasduttore, poiché potrebbero deviare parte della forza di misura e falsare così il valore di misura (derivazione della forza).

7 Montaggio meccanico

7.1 Misure importanti per il montaggio

- Maneggiare con cura il trasduttore.
- Rispettare i requisiti per gli elementi d'introduzione della forza, come riportato nei paragrafi seguenti di questo manuale d'istruzione
- Sul trasduttore non devono fluire correnti di saldatura. Qualora sussista questo pericolo, è necessario ponticellare elettricamente il trasduttore con un collegamento a bassa resistenza idoneo. A tal scopo HBM offre, ad esempio, il cavo di messa a terra ad alta flessibilità EEK, da avvitare sopra e sotto il trasduttore.
- Assicurarsi che il trasduttore non possa essere sovraccaricato durante il montaggio.



AVVERTIMENTO

Nel caso di sovraccarico, esiste il rischio di rottura del trasduttore. Ciò può mettere in pericolo gli operatori dell'impianto in cui è installato il trasduttore.

- Adottare misure di sicurezza appropriate per evitare il sovraccarico o come protezione dai pericoli conseguenti. Le sollecitazioni meccaniche massime possibili, in particolare la forza di rottura, sono riportate nei Dati tecnici.
- Durante il montaggio e il funzionamento del trasduttore rispettare le forze parassite massime:
 - Forze laterali
 - Introduzione della forza eccentrica e coppie
 - e la portata massima ammissibile degli elementi d'introduzione della forza utilizzati.

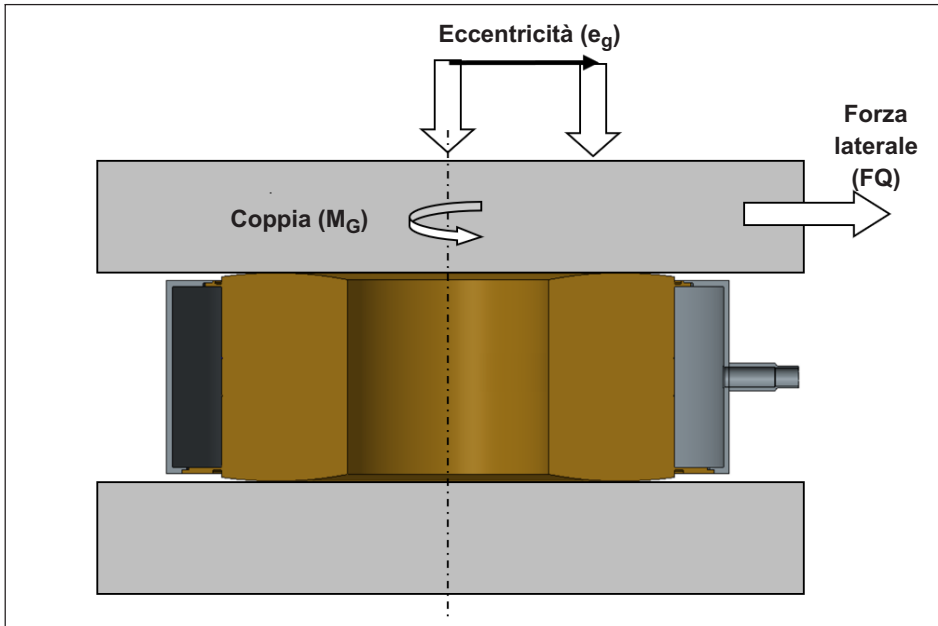


Fig. 7.1 Carichi parassitari

7.2 Direttive generali per il montaggio

Le forze da misurare devono agire sul trasduttore con la massima precisione possibile nella direzione di misura. I carichi eccentrici e le forze laterali possono causare errori di misura e il superamento dei valori limite può causare la distruzione del trasduttore.

KMR+ è un sensore che deve essere sottoposto ad autoaggiustamento (taratura) nella situazione di montaggio finale laddove si desidera determinare un valore di misura quantitativo, in quanto la sensibilità del punto di misura dipende dalle condizioni di montaggio. La sensibilità del punto di misura può essere influenzata dai seguenti fattori:

- Rigidità di altri componenti, ad es. della vite con cui è stato montato KMR+.
- Irregolarità superficiali degli elementi d'introduzione della forza montati direttamente su KMR+

- Introduzioni della forza eccentriche
- Deformazione dei componenti a contatto con KMR+

Per la taratura HBM offre i propri trasduttori di forza tracciabili, ad es. il trasduttore di riferimento C15. Misure qualitative, ad es. variazioni relative possono essere misurate senza taratura.

Una volta che la taratura è completata, le condizioni di montaggio non possono più essere modificate.

Si raccomanda di utilizzare le due rondelle temprate al di sopra e al di sotto di KMR+ come introduzione della forza. Le rondelle sono temprate e hanno un'ottima planarità, in modo che il carico venga distribuito uniformemente sull'intero anello di misura. Lo smusso delle rondelle deve essere rivolto in senso opposto al sensore (vedi disegno seguente). Non sono indicate rondelle elastiche, rondelle dentate o simili.

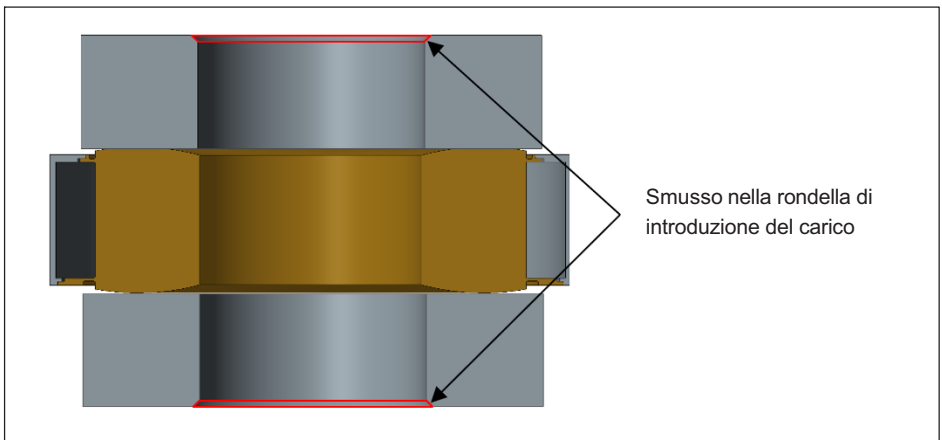


Fig. 7.2 KMR+ con rondelle d'introduzione del carico con l'orientamento corretto

Qualora non fosse possibile utilizzare le rondelle fornite in dotazione, i componenti di connessione devono avere le seguenti proprietà:

- Durezza: 47 ± 2 HRC
- Rugosità: 0,8
- Planarità: 0,01



ATTENZIONE

Durante il montaggio tenere presente che il sensore potrebbe ruotare insieme alle viti o ai dadi quando questi vengono serrati. In condizioni sfavorevoli sussiste il rischio di tagliare il cavo.



Consiglio

Oliare leggermente la testa della vite in modo che possa ruotare. In questo modo, si evita che la coppia venga introdotta nel sensore.

7.3 Esempi di montaggio

I seguenti esempi applicativi hanno lo scopo di fornire avvisi sulle numerose possibilità di applicazione di KMR+.

Monitoraggio dei collegamenti a vite

I KMR+ sono strumenti di misura senza deriva e sono particolarmente indicati, pertanto, per il monitoraggio e il rilevamento del comportamento delle forze di serraggio.

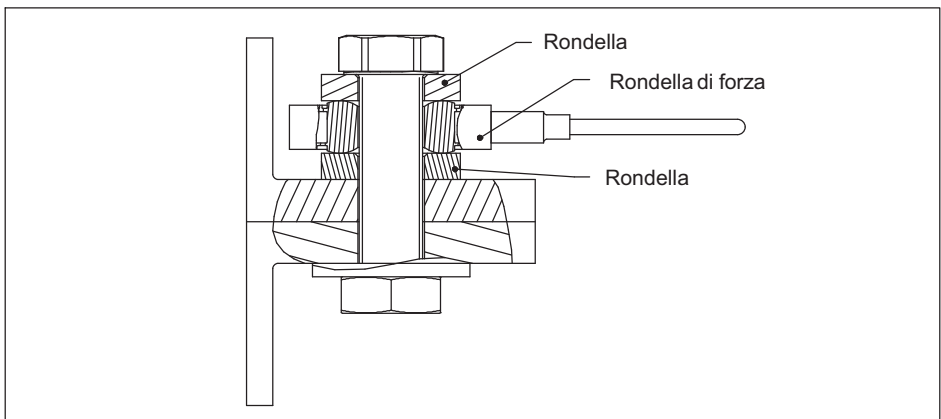


Fig. 7.3 Monitoraggio di un precarico della vite

Grazie a questo design è possibile monitorare anche forze di funzionamento, ad es. l'aumento di pressione su una valvola. La forza quantitativa esercitata dalla vite non può essere misurata in questo modo perché KMR+ non è calibrato.

Monitoraggio delle forze di pressione con piastre di compressione

Con la struttura secondo *Fig. 7.4* è possibile monitorare forze di pressione. Si noti che le rondelle temprate possono essere omesse sono nel caso in cui le parti a contatto con KMR+ soddisfano i requisiti (durezza, planarità, rugosità) specificati nel *capitolo 7.2*.

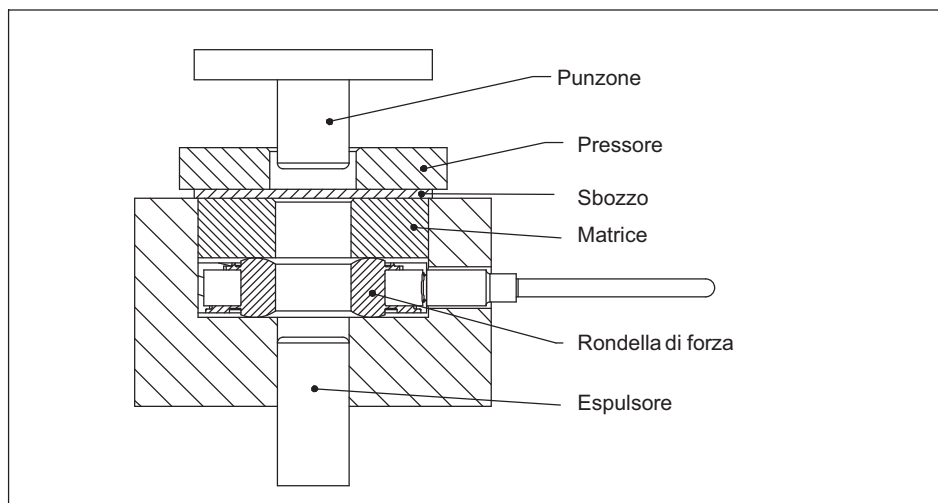


Fig. 7.4 Monitoraggio di una forza di pressione

Monitoraggio di forze di funi e tiranti

La rondella di forza progettata per forze di compressione può essere utilizzata in virtù del suo foro interno anche per il monitoraggio di forze di trazione. Assicurarsi che tutti i componenti di trasmissione della forza siano dotati di una trazione sufficiente.

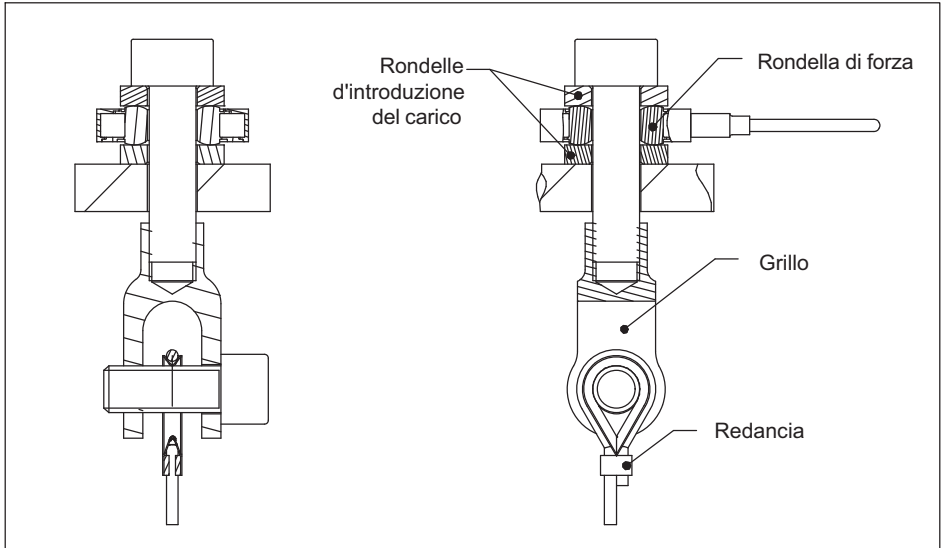


Fig. 7.5 Monitoraggio di forze di funi

8 Collegamento elettrico

Per il trattamento dei dati è possibile usare amplificatori di misura concepiti per sistemi di misura di estensimetri. È possibile collegare sia frequenze portanti che amplificatori a tensione continua.

I trasduttori di forza KMR+ vengono forniti con un circuito a 4 fili.

8.1 Collegamento con circuito a 4 fili

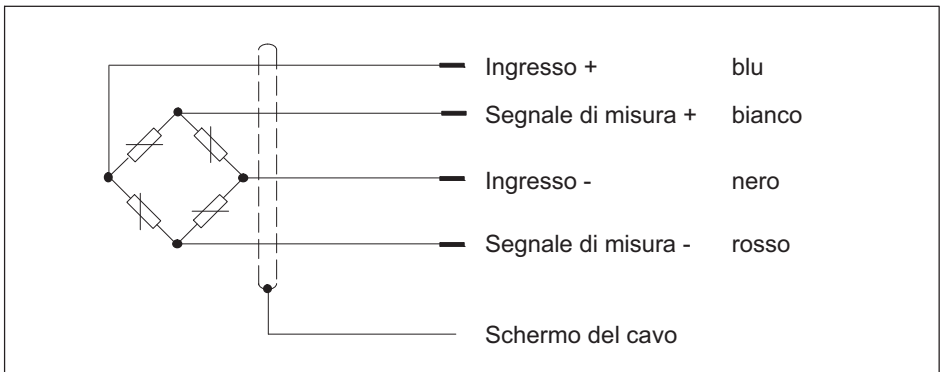


Fig. 8.1 Collegamento KMR+

Con questo schema di cablaggio, il segnale di uscita del trasduttore sull'amplificatore di misura è positivo.

Lo schermo del cavo è collegato alla custodia del trasduttore. In questo modo, viene a formarsi una gabbia di Faraday, che comprende il sensore, il cavo e – purché correttamente cablata – la spina dell'amplificatore di misura, garantendo una sicurezza di esercizio ottimale anche in un ambiente CEM critico.

Usare soltanto spine che soddisfino le Direttive CEM. La schermatura deve essere collegata su tutta la superficie. Con altre tecniche di collegamento, prevedere nella zona di giunzione dei fili una schermatura CEM, anch'essa da collegare su tutta la superficie (vedi anche l'Informativa HBM Greenline).

8.2 Accorciamento o prolungamento dei cavi

Di fabbrica KMR+ è disponibile con cavi di diversa lunghezza. Pertanto, non dovrebbe essere necessario alterare la lunghezza del cavo.

Qualora, però, sia necessario prolungare il cavo, si consiglia di utilizzare un circuito a 6 fili.

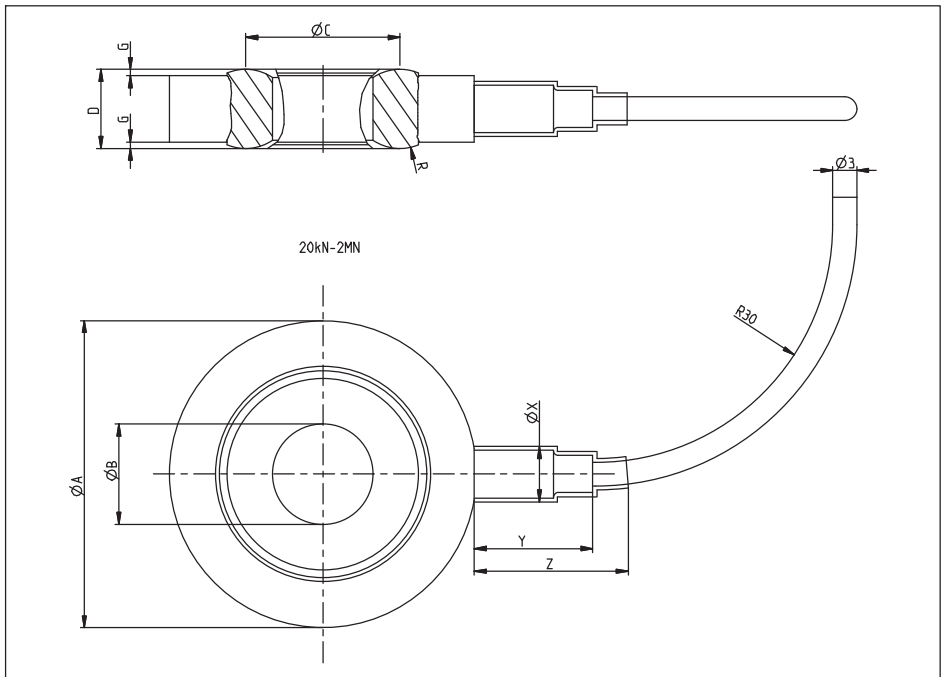
L'accorciamento del cavo è possibile, tuttavia influisce sulla sensibilità del punto di misura. Pertanto, si consiglia di eseguire l'accorciamento del cavo prima dell'autoaggiustamento del punto di misura.

8.3 Protezione CEM

I campi magnetici ed elettrici inducono l'accoppiamento di tensioni di disturbo nel circuito di misura. Perciò considerare quanto segue:

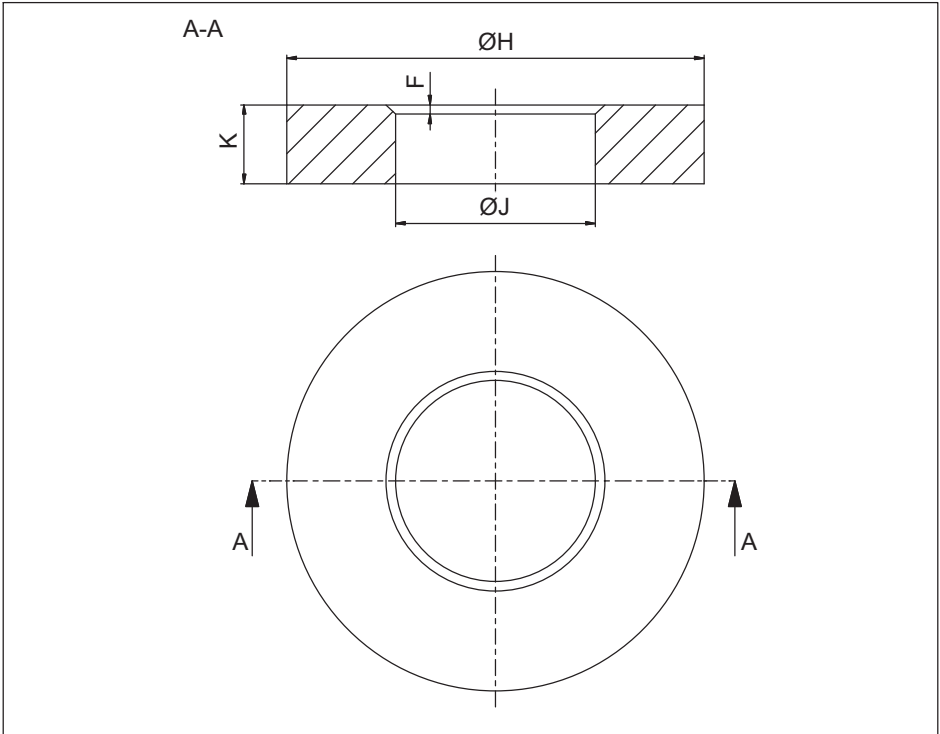
- ▶ Utilizzare esclusivamente cavi di misura schermati e a bassa capacità (i cavi HBM soddisfano questi requisiti).
- ▶ Non posare i cavi di misura in parallelo alle linee di alta tensione e alle linee di controllo. Se ciò non fosse possibile, proteggere il cavo di misura ad es. con tubi con armatura in acciaio.
- ▶ Evitare campi di dispersione di trasformatori, motori e contattori.
- ▶ Collegare tutti gli apparecchi della catena di misura al medesimo conduttore di protezione.
- ▶ Posare sempre lo schermo del cavo in modo che aderisca completamente alla custodia del connettore.

9 Dimensioni



Forza nominale	$\varnothing A$ $-0,2$ mm	$\varnothing B$ $+0,1$ mm	C mm	D mm	G mm	R mm	$\varnothing X$ $\pm 0,5$ mm	Y mm	Z mm
20 kN	19,9	6,5	9,05	8,5	0,65	5	6,7	15	30
40 kN	23,6	8,0	10,84	8,5	0,65	8	6,7	15	30
60 kN	26,9	10,0	13,82	8,5	0,65	12	6,7	15	30
100 kN	38,8	12,7	19,50	10,0	0,80	6	6,7	15	30
200 kN	48,0	16,0	27,35	10,0	0,80	16	6,7	15	30
300 kN	56,3	21,0	35,20	10,5	1,05	18	6,7	15	30
400 kN	60,6	25,0	38,20	12,5	2,05	20	6,7	15	30
500 kN	66,6	28,0	42,80	14,5	0,80	22	6,7	15	30
600 kN	72,1	31,0	46,90	16,5	1,30	24	6,7	15	30

Forza nominale	$\varnothing A_{-0,2}$ mm	$\varnothing B_{+0,1}$ mm	C mm	D mm	G mm	R mm	$\varnothing X_{\pm 0,5}$ mm	Y mm	Z mm
1 MN	87,1	37,0	57,85	24,5	1,30	40	6,7	15	30
2 MN	120,8	43,0	73,80	44,5	1,60	80	6,7	15	30



Forza nominale	$\varnothing H_{-0,1}$ mm	$\varnothing J_{+0,1}$ mm	K mm	F_{x45°
20 kN	17,0	6,5	3,0	0,25
40 kN	21,0	8,0	3,0	0,40
60 kN	24,0	10,0	4,0	0,40
100 kN	26,5	12,7	5,0	0,60
200 kN	34,0	16,0	6,0	0,60
300 kN	42,0	21,0	6,0	1,50

Forza nominale	ØH_{-0,1} mm	ØJ_{+0,1} mm	K mm	Fx45°
400 kN	46,0	25,0	8,0	1,50
500 kN	55,0	28,0	10,9	1,10
600 kN	60,0	31,0	12,4	1,10
1 MN	75,0	37,0	18,4	1,10
2 MN	100,0	43,0	33,4	1,20

10 Dati tecnici secondo VDI/VDE 2638

Forza nominale	F _{nom}	KN	20	40	60	100	200	300	400	500	600		
		MN											1
Accuratezza di misura													
Classe di precisione		1,5											
Errore relativo per posizione invariata	b _{rg}	%	1,0										
Isteresi rel.	v _{0,5}	%	1,5										
Deviazione della linearità ¹⁾	d _{lin}	%	1,5										
Scorrimento (30 min)	d _{crf}	%	0,5										
Coefficiente termico della sensibilità	CT _S	% / 10K	0,5										
Coefficiente termico dello zero	CT ₀	% / 10K	0,5										
Sensibilità elettriche													
Sensibilità nominale	C _{nom}	mV/V	2										
Deviazione dalla caratteristica	d _C	%	15										
Deviazione relativa del segnale di zero	d _{s,0}	mV/V	0,2										
Resistenza d'ingresso	R _e	Ω	310 ... 410				620 ... 800						
Resistenza di uscita	R _a	Ω	310 ... 370				620 ... 720						
Resistenza di isolamento	R _{is}	Ω	> 10 ⁹										
Campo operativo della tensione di alimentazione	B _{U,G}	V	0,5 ... 12										
Tensione di alimentazione di riferimento	U _{rif}	V	5										
Collegamento		circuito a 4 fili											

Forza nominale	F _{nom}	kN	20	40	60	100	200	300	400	500	600		
		MN											1
Temperatura													
Temperatura di riferimento	t _{rif}	°C	23										
Campo nominale di temperatura	B _{T, nom}	°C	-30...70										
Campo della temperatura di esercizio	B _{T, G}	°C	-30...85										
Campo della temperatura di magazzino	B _{T, S}	°C	-30...85										
Grandezze caratteristiche meccaniche													
Massima forza di esercizio	F _G	% di F _{nom}	125				150				160	180	
Forza limite	F _L		125				150				160	180	
Forza di rottura	F _B		> 300				> 400						
Forza laterale limite statica ²⁾ (con carico con forza nominale)	F _Q	% di F _{nom}	12										
Eccentricità ammissibile (con carico con forza nominale)	e _g	mm	1,6	2,0	3,4	1,5	4,6	4,4	5,2	5,5	6,3	9,9	12,8
Eccentricità ammissibile (con carico con il 50% della forza nominale)	e _g	mm	3,4	4,3	5,3	7,3	10,3	12,4	14,3	16,1	17,6	21,7	27,7
Coppia ammissibile (con carico con forza nominale)	M _G	Nm	33	75	169	194	975	1425	2250	3000	3750	8250	20250
Deflessione nominale ±15 %	S _{nom}	µm	19,0	23,9	24,2	32,0	35,1	41,5	49,8	56,8	60,4	85,8	140,8
Rigidità	c	kN / µm	1,1	1,7	2,5	3,1	5,7	7,2	8,0	8,8	9,9	11,6	14,2
Frequenza propria di risonanza	f _G	kHz	48,1	51,7	54,9	42,6	44,1	41,3	38,1	33,2	30,5	21,6	12,6
Ampiezza della vibrazione ammessa	F _{rtb}	% di F _{nom}	85										

Forza nominale	F _{nom}	kN	20	40	60	100	200	300	400	500	600			
		MN											1	2
Dati generali														
Peso (senza cavi)	g	12	16	21	43	74	108	140	202	270	633	2275		
Lunghezze cavi	m	1,5 (standard) / 3,0 / 5,0 / 6,0 / 7,0 / 12,0												
Grado di protezione secondo EN 60529 ³⁾	IP68													
Materiale del corpo di misura/della custodia	Acciaio inossidabile													
Cavo	4 conduttori, isolamento PUR, schermato													

- 1) Montato con un precarico del 30 % della forza nominale
- 2) La forza laterale massima è limitata dal coefficiente di attrito (0,12)
- 3) Condizioni di prova: colonna d'acqua di 1 metro, 100 ore

Operating Manual | Bedienungsanleitung |
Manuel d'emploi | Istruzioni per l'uso | 操作说明书

English

Deutsch

Français

Italiano

中文



KMR+



1	安全提示	3
2	所使用的标记	6
2.1	在本说明书中使用的标记	6
3	供货范围和配置变型	7
3.1	供货范围	7
3.2	配件	7
3.3	配置变型	7
4	一般性应用提示	9
5	结构和原理	10
5.1	力传感器的工作原理	10
5.2	应变片盖板	10
6	使用地点的条件要求	11
6.1	环境温度	11
6.2	潮湿和腐蚀防护	11
6.3	储存	11
7	机械安装	12
7.1	安装过程中的重要预防措施	12
7.2	通用安装指南	13
7.3	安装示例	15
8	电气连接	18
8.1	接头采用4线电路	18
8.2	电缆的缩短或者加长	19
8.3	电磁兼容性防护	19
9	尺寸	20
10	技术参数符合 VDI/DE 2638	22

1 安全提示

规定用途

KMR+系列力传感器只允许在技术参数所规定的负载极限范围内测量静态和动态压力。而任何其他形式的使用则都是违规的。

为了保证安全操作，必须遵守操作说明书中的规定，以及接下来的安全要求和技术参数表中说明的参数。此外，还应遵守对应的应用情况中需要留意的法律和安全规定。

力传感器不能被用作安全部件。对此，请留意章节“额外的安全预防措施”。专业的运输、存储、安放和安装，以及认真的操作是保证测力传感器正确和安全运行的前提条件。

负荷极限

在使用力传感器时，务必遵守技术数据手册中的数据说明。特别是在任何情况下都不得超出规定的最大负荷。不得超出技术数据手册中规定的：

- 极限力
- 极限横向力
- 传力部件的最大偏心率
- 致断力
- 允许的动态负荷
- 温度极限
- 电力负荷极限

多台测力传感器互联时需注意，负载/力并不是始终平均分配，这会导致在总和信号还未达到并联传感器组的额定力总额时，单个测力传感器便过载。

作为机械元件

力传感器可以作为机械元件使用。在此类使用中要注意，力传感器具有较高的测量灵敏度在设计上与机械结构中通常的安全因素不同。为此，留意“负荷极限”章节和技术参数。

事故预防

虽然致断力是测量范围终值的几倍，但是仍须考虑同业工伤事故保险联合会的相关事故防护规定。在运输与安装过程中尤其要注意。

额外的安全预防措施

力传感器（作为无源传感器）没有（涉及安全的）断路装置。因此需要其他的组件和结构性保护措施，这些应由设备制造商和运营商负责提供。

断裂或出现故障的测力传感器会对人员或物品造成损害，因此使用者必须额外采取适当的安全预防措施，这些措施至少应满足相关事故防护规定中的要求（例如自动紧急停机、过载保护、防止坠落的防护条、防护链或者其他防坠落安全装置）。对于处理测量信号的电子设备，在设计时应考虑不会因测量信号的失灵而造成后续损害。

不遵守安全提示的常见危险

力传感器符合当前的技术标准，并且具备操作安全性。对于没经过培训的人员而言，或者在装配、安装、使用和操作传感器不当的情况下，可能会存在危险。负责安装、调试、操作或维修力传感器的所有人员必须阅读并理解本操作说明书，尤其是相关的安全技术说明。

一旦违规使用力传感器、不遵守操作说明书、这里的安全说明或者其他相关安全规定（行业保险协会的事故预防条例），那么，就有可能损坏或者损毁力传感器。尤其是在过载的情况下，可能会导致力传感器断裂。一旦力传感器断裂，那么，就有可能额外导致力传感器周围的人员受伤或者导致周围财产的损失。

如果未按规定使用测力传感器，或未遵守安全提示或操作说明书中的规定，有可能导致测力传感器失效或出现故障。还有可能造成人员受伤或物品受损（通过作用在测力传感器上的负荷或该传感器所监控的负荷）。

传感器的服务和交货范围仅能涵盖一部分的测力技术，因为如果要使用（电阻式）应变传感器进行测量的话，那么，就必须落实电子信号处理。在测力技术工程方面，设备设计方/安装施工方/使用方必须额外对安全要求开展策划、落实并且加以负责，使得残留风险能够被降至最低。必须留意现行的国家和地区性规定。

改造和改装

在未获得我们书面许可的情况下，禁止对传感器进行结构上和安全技术方面的改动。对于因改动所造成的损失，我们不承担任何责任。

维护

KMR+力传感器免维护。

废弃处理

对于不能再用的传感器，应根据国家和当地的环保及资源回收规定进行废弃处理，处理时要与常规生活垃圾分开。如需废弃处理方面更详细的信息，请联系当地的政府部门或者向您销售产品的经销商。

具备资格的人员

具备资格的人员是指熟悉产品的安放、安装、调试、操作和拆卸并且具备相关作业对应资质的人员。这其中包括至少满足如下三个条件之一的人员：

- 熟悉自动化技术的安全理念，并且作为项目成员充分熟悉并且掌握。
- 是自动化设备的操作人员，并且接受过设备操作的培训。对于本文献中所描述的设备和技术操作，熟悉并且掌握。
- 是调试人员或者负责售后服务，并且接受过培训，有能力开展自动化设备的维修。除此以外，您获得了授权，可以根据安全技术标准，将电路和设备投入使用、对它们进行接地并且加以标记。

此外，在使用时还应遵守与各应用情况有关的法律和安全规定。这同样也适用于配件的使用。

力传感器只允许由具备相应资格的人员在遵守技术参数和安全规定及准则的情况下使用。

2 所使用的标记

2.1 在本说明书中使用的标记

涉及到您安全的重要提示都进行了特别的标记。务必要留意这些提示，以避免事故和财产损失。

符号	含义
 警告	该标记提示 <i>可能的</i> 危险情形，如果没有遵守安全规定，就有可能 <i>导致死亡或者严重的人身伤害</i> 。
 小心	该标记提示 <i>可能的</i> 危险情形，如果没有遵守安全规定，就有可能 <i>导致轻伤或者中等程度的人身伤害</i> 。
提示	该标记提示如下情形，即如果没有遵守安全规定，就有可能 <i>导致财产损失</i> 。
 重要	该标记提示的是 <i>重要的</i> 产品信息或者产品使用方面的信息。
 小建议	该标识提示的是应用小建议或者其它对您有用的信息。
 信息	该标识提示的是产品信息或者产品使用方面的信息。
<i>重点部分 参见指引</i>	斜体字标记的是文中需要重点说明的内容以及指向其它章节、插图或者外部文件和文本的引用。

3 供货范围和配置变型

3.1 供货范围

- KMR+力传感器
- KMR+操作说明书
- 两个经硬化和研磨、用于力传导的垫圈

3.2 配件

订购编号	
1-KMRW/20kN	2个适用于KMR+/20kN的载荷垫圈
1-KMRW/40kN	2个适用于KMR+/40kN的载荷垫圈
1-KMRW/60kN	2个适用于KMR+/60kN的载荷垫圈
1-KMRW/100kN	2个适用于KMR+/100kN的载荷垫圈
1-KMRW/200kN	2个适用于KMR+/200kN的载荷垫圈
1-KMRW/300kN	2个适用于KMR+/300kN的载荷垫圈
1-KMRW/400kN	2个适用于KMR+/400kN的载荷垫圈
1-KMRW/500kN	2个适用于KMR+/500kN的载荷垫圈
1-KMRW/600kN	2个适用于KMR+/600kN的载荷垫圈
1-KMRW/1MN	2个适用于KMR+/1MN的载荷垫圈
1-KMRW/2MN	2个适用于KMR+/2MN的载荷垫圈

3.3 配置变型

力传感器可以提供多种不同的规格。可以选择如下的一些选项：

额定力

力传感器的额定力可在 20 kN 与 2 MN 之间进行选择。额定力是力垫圈可持久动态承受而不至损坏的最大力。请注意，传感器也可在安全极限载荷下使用，但在持久动态承受最大限度力的情况下可能损坏。如有疑问，请选择规格较大的型号。

电缆长度

标准电缆长度为1.5m。根据要求，订购KMR+时也可搭配以下电缆长度：

- 3 m
- 5 m
- 6 m
- 7 m
- 12 m

插头组装

标准型KMR+在交货时不带预组装插头：电缆已准备就绪，可立即组装（电缆末端绝缘、已准备对支承面屏蔽层）。根据要求，我们可组装以下插头：

- “Greenline”MS3106PEMV插头，用于连接至较早型号的HBM测量放大器，例如DK38
- D-SUB插头，15针双排插头，用于连接至多种HBM测量放大器，例如Scout或MGCplus（带AP01i或AP14i）
- SUB-HD插头，15针三排插头，用于连接至QuantumX系列测量放大器

4 一般性应用提示

力传感器适用于测量压力。它们能够测量静态力和动态力，因而需要细致小心的操作。尤其是运输和安装过程必须格外小心谨慎。撞击或者掉落都有可能导致传感器遭受永久性的损伤。

允许的机械、热能和电气负荷极限详见 *章节10“技术参数符合 VDI/VDE 2638”*，第 22 页。在对测量系统进行设计、安装以及最终使用的过程中，请务必考虑到这些参数。

5 结构和原理

5.1 力传感器的工作原理

测量体为钢制变形体，其上安装有四个或八个应变片，其中两个（或四个）应变片在受力时会伸长，另外两个（或四个）应变片则会缩短。应变片将长度变化成比例转换为电阻变化。应变片连接到惠斯通电桥。如果电桥从外部获得电压共赢，输出电压将与应变片长度变化成比例，亦即与受力成比例变化。如要继续处理输出信号，须使用合适的桥式放大器。

5.2 应变片盖板

为了保护应变片，力传感器具有不锈钢制成、可保证密封性的薄壳。如此，KMR+也可在高湿度下和室外使用。

为了确保起到防护作用，绝不允许拆除或者损坏该壳体。

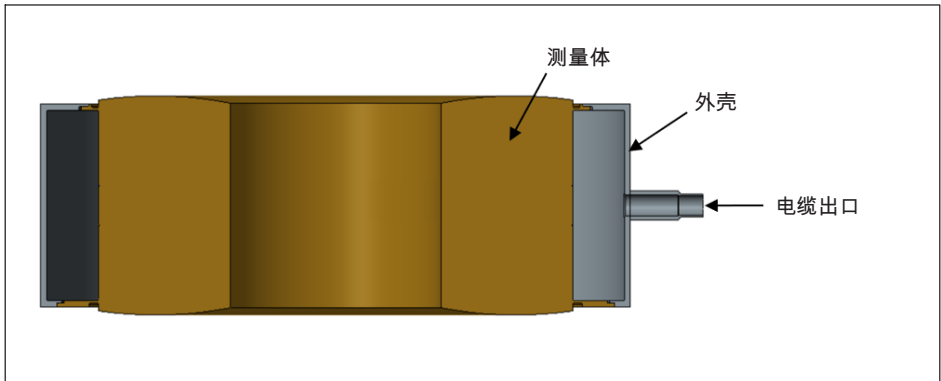


图 5.1 力垫圈截面，带金属保护壳

6 使用地点的条件要求

避免传感器受到天气的影响，如雨、雪、冰和盐水。

6.1 环境温度

针对温度对零信号以及特征值的影响进行了补偿。

为了得到最佳的测量结果，必须遵守标称温度范围。应变片的布局从设计角度而言对温差变化较不敏感。尽管如此恒定或缓慢变化的温度还是对测量精度有益。防辐射挡板和全方位隔热罩会起到明显的改善作用。但是，它们不得形成力的分流。

6.2 潮湿和腐蚀防护

力传感器是封装的，因而能够很好地耐抗潮湿。

KMR+系列的传感器符合IP68防护等级要求，适合室外使用。

(检验条件：100 h/1 m水柱)。

对于不锈钢制成的力传感器，需要注意的是，酸和所有会释放离子的物质同样也能侵蚀不锈钢及其焊缝。一旦出现腐蚀，可能会导致力传感器失效。在这种情况下，需要落实相应的防护措施。

建议为传感器提供保护，免受长时间湿气侵蚀和气候影响。

6.3 储存

设备上不得积聚灰尘、污垢和其他异物，它们会改变部分测量力的方向从而生成错误的测量值（力分流）。

7 机械安装

7.1 安装过程中的重要预防措施

- 安装传感器的操作过程中应小心谨慎。
- 注意本说明书后续章节中对于传力部件的要求
- 不允许有焊接电流流过传感器。如果存在这一风险，必须将传感器和一条适合的低电阻线路桥接到一起。为此，HBM 提供了高柔性接地电缆 EEK，它可以被拧装在传感器的顶部和底部。
- 确保在安装时传感器不会过载。



警告

一旦传感器过载，就有断裂的危险。这样一来，对于安装了传感器的设备的操作人员而言，就有可能构成危险。

- 采取适当的安全措施以避免过载或防止由此造成的危险。可能的最大机械负荷，尤其是致断力，标注在技术数据中。
- 在传感器安装和运行过程中，请注意最大寄生力：
 - 横向力
 - 偏心力传递和扭矩
 - 和所使用力传递部件的最大允许负载。

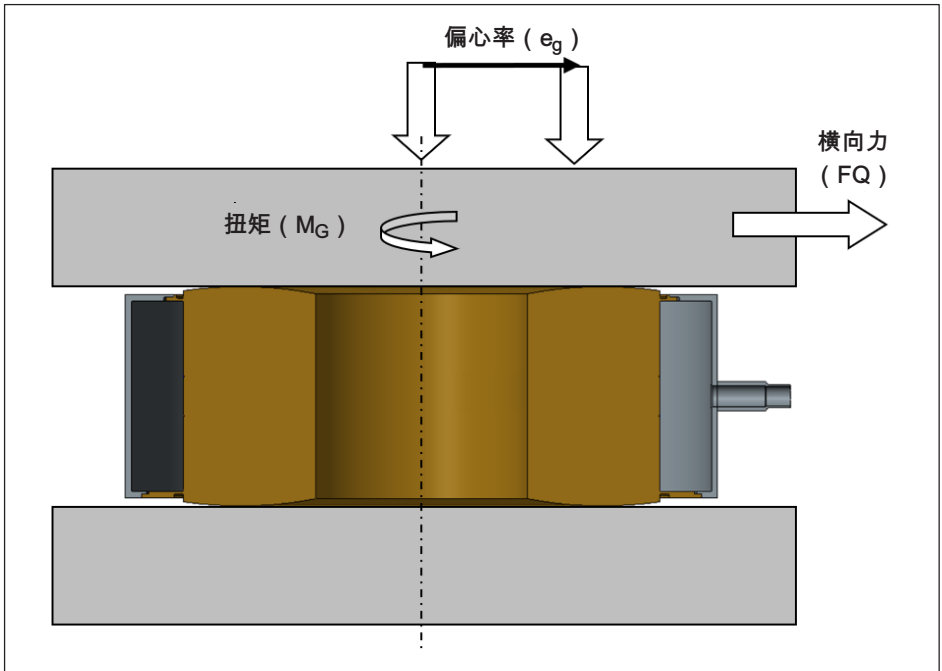


图 7.1 干扰负荷

7.2 通用安装指南

需要测量的力必须尽可能沿着测量方向施加到传感器上。偏心负荷和横向力都有可能造成测量错误，并在超出极限值的情况下损毁传感器。

如果要得出定量测量值，KMR+传感器必须在最终安装状况下校准（调准），因为测量点的灵敏度取决于安装状况。下列因素可能影响测量点的灵敏度：

- 其他与KMR+一同安装部件（例如螺栓）的刚度
- 直接安装在KMR+上力传递点的不平整度
- 偏心力传导
- 与KMR+相接触部件的变形

校准可选用HBM可溯源力传感器，例如参考传感器C15。定性测量（例如相对变化）无需校准即可进行。

校准完成后，不得再更改安装状况。

我们建议在KMR+顶面和底面使用两枚硬化垫圈进行力传递。垫圈经过硬化且具有极佳的平整度，因此可将负载均匀地分布在整个力垫圈上。底部垫圈的倒角应朝向传感器外侧（参见下图）。不宜使用弹簧垫圈、锁紧垫圈或类似物。

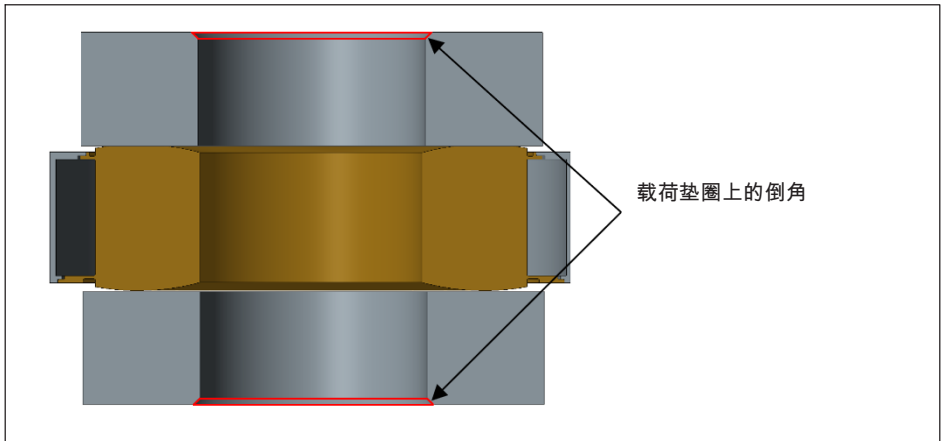


图 7.2 KMR+载荷垫圈正确定向

如果无法使用随附的垫圈，连接部件必须符合以下特性：

- 硬度：47±2 HRC
- 粗糙度：0.8
- 平整度：0.01



小心

在安装过程中请注意，拧紧螺栓或螺母时，传感器可能会随之转动。如果不巧，可能较断电缆。



小建议

请对螺栓头部略加润滑，使其易于转动。如此可防止扭矩传递到传感器上。

7.3 安装示例

下列应用示例举出KMR+的多样可能用途。

监控螺栓连接部

KMR+属于无漂移测量工具，因此特别适用于监控和测定拧紧力受力情况。

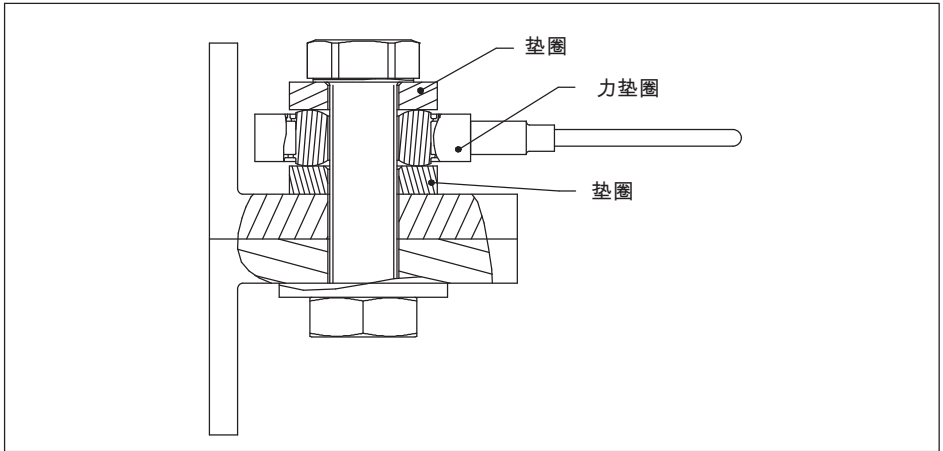


图 7.3 监控螺栓预紧力

通过这种构造，还可以监控各种运行力，例如阀门内的压力增加。施加在螺栓上的定量力无法如此测量，因为KMR+未校准。

使用压盘监控压力

按照 Fig. 7.4 进行安装，即可监控压力。

请注意，仅当接触KMR+的各部件符合 章节 7.2

中所述要求（硬度、平整度、粗糙度）时，硬化垫圈才可省去。

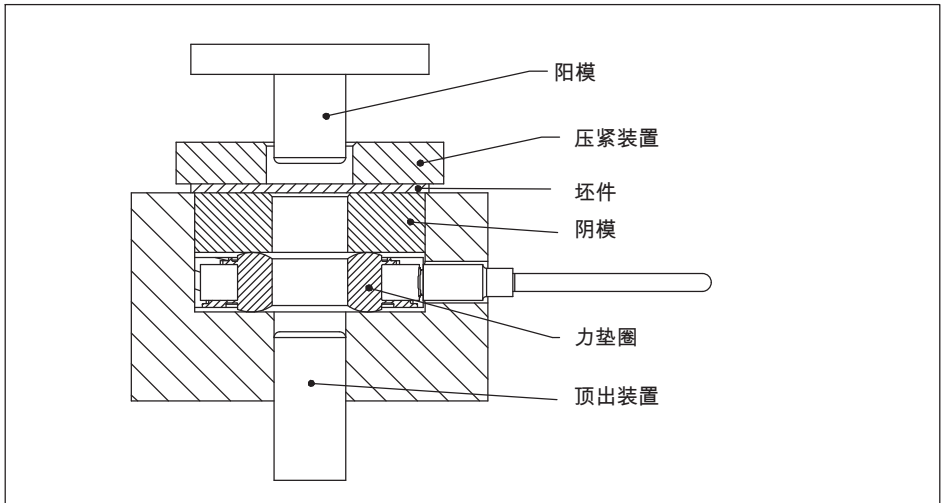


图 7.4 监控压力

监控索力和拉杆

针对压力而设计的力垫圈由于具有内孔，也可用于监控拉力。请注意确保所有力传递部件都具有足够的拉伸强度。

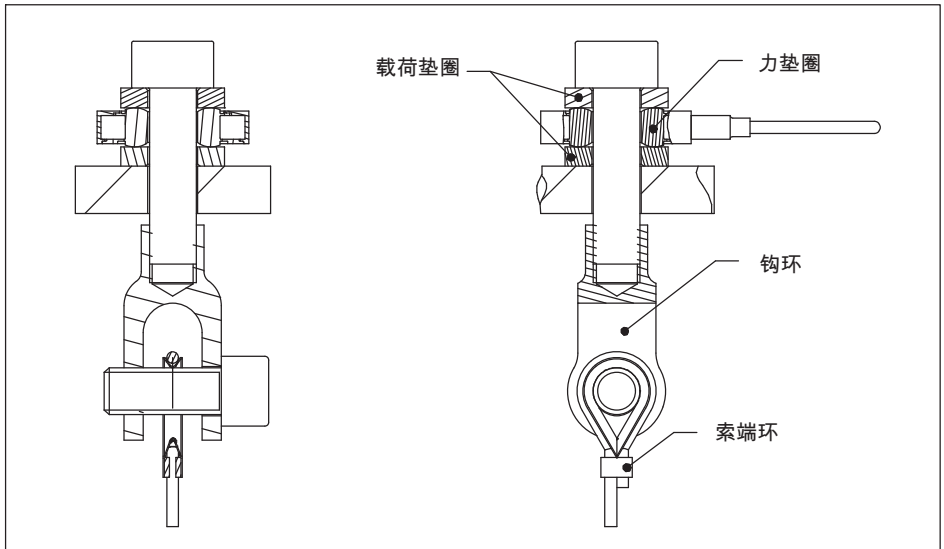


图 7.5 监控索力

8 电气连接

可使用为应变片测量系统设计的测量放大器处理测量信号。测量放大器可连接载波频率和直流电压放大器。

KMR+力传感器采用4线电路。

8.1 接头采用4线电路

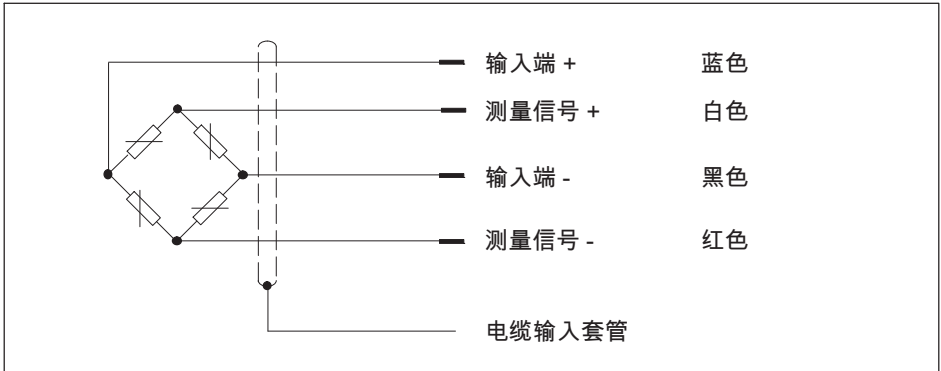


图 8.1 KMR+接线

对于该电缆布局而言，测量放大器上传感器的输出信号为正。

电缆屏蔽和传感器外壳相连。这样便会形成一个法拉第笼，包含了传感器、电缆，只要接线正确还涵盖了插头至测量放大器，在临界的电磁兼容环境下也能保证最佳的操作安全性。

必须使用符合电磁兼容性指令要求的插头。在这里，需要大面积地设置屏蔽层。如果采用的是其他连接技术的话，那么，在芯线区域，必须设置符合电磁兼容性要求的屏蔽，在这里，同样也要大面积地设置屏蔽层（同时参见 HBM Greenline 信息）。

8.2 电缆的缩短或者加长

KMR+出厂时可配备不同电缆长度，从而不必改动电缆长度。

如果仍有必要延长电缆，我们建议采用6线技术。

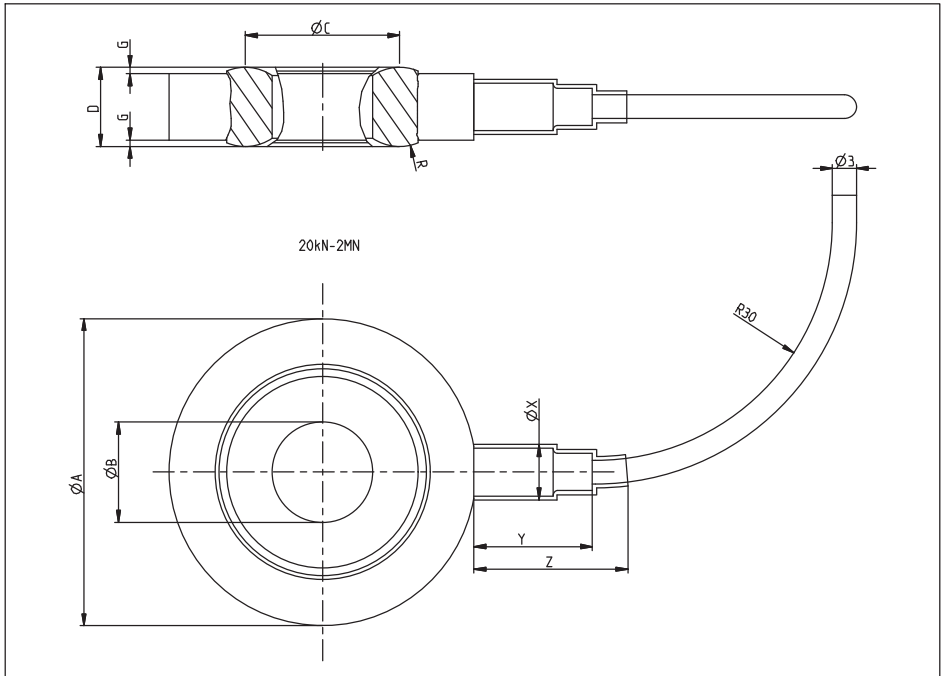
可以缩短电缆，但会影响测量点的灵敏度。因此，应在校准测量点前缩短电缆。

8.3 电磁兼容性防护

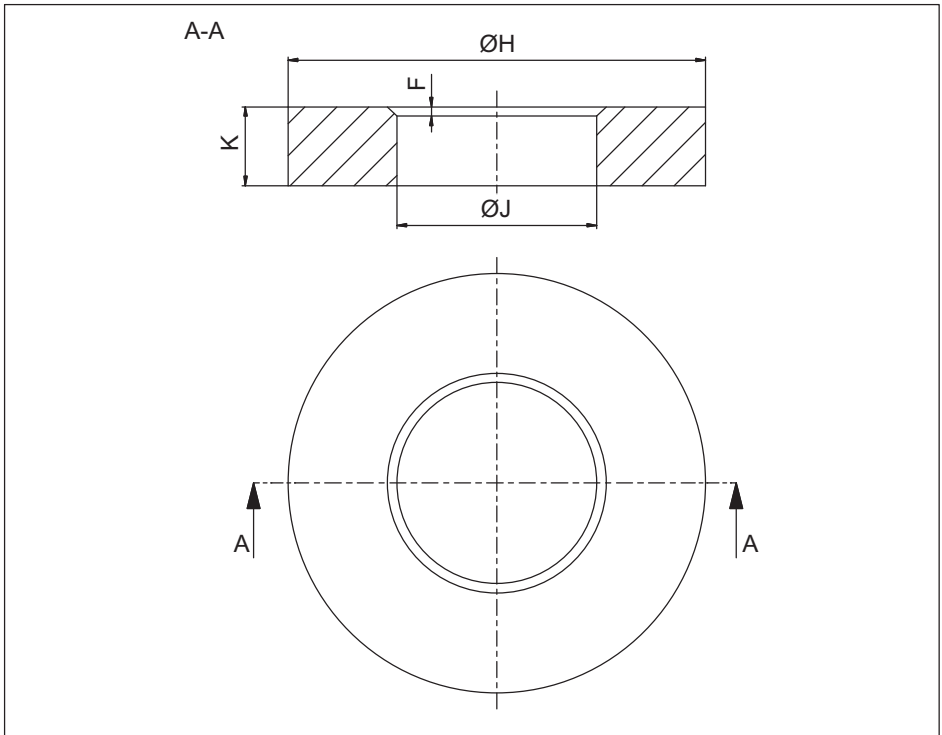
电磁场有可能导致测量电路内耦合入干扰电压。因此需注意以下几点：

- ▶ 仅使用低电容的屏蔽测量电缆（HBM 的电缆符合该条件）。
- ▶ 测量电缆不得与强电流和控制导线并行放置。如果这不可能实现，则要保护测量电缆，例如通过铠装管。
- ▶ 避开变压器、电动机和继电器的漏磁场。
- ▶ 测量链的所有设备都连接到同一根地线上。
- ▶ 始终大面积地在插头外壳上设置电缆屏蔽。

9 尺寸



额定力	$\varnothing A_{-0.2}$ mm	$\varnothing B_{+0.1}$ mm	C mm	D mm	G mm	R mm	$\varnothing X_{\pm 0.5}$ mm	Y mm	Z mm
20 kN	19.9	6.5	9.05	8.5	0.65	5	6.7	15	30
40 kN	23.6	8.0	10.84	8.5	0.65	8	6.7	15	30
60 kN	26.9	10.0	13.82	8.5	0.65	12	6.7	15	30
100 kN	38.8	12.7	19.50	10.0	0.80	6	6.7	15	30
200 kN	48.0	16.0	27.35	10.0	0.80	16	6.7	15	30
300 kN	56.3	21.0	35.20	10.5	1.05	18	6.7	15	30
400 kN	60.6	25.0	38.20	12.5	2.05	20	6.7	15	30
500 kN	66.6	28.0	42.80	14.5	0.80	22	6.7	15	30
600 kN	72.1	31.0	46.90	16.5	1.30	24	6.7	15	30
1 MN	87.1	37.0	57.85	24.5	1.30	40	6.7	15	30
2 MN	120.8	43.0	73.80	44.5	1.60	80	6.7	15	30



额定力	$\text{ØH}_{-0.1}$ mm	$\text{ØJ}^{+0.1}$ mm	K mm	Fx45°
20 kN	17.0	6.5	3.0	0.25
40 kN	21.0	8.0	3.0	0.40
60 kN	24.0	10.0	4.0	0.40
100 kN	26.5	12.7	5.0	0.60
200 kN	34.0	16.0	6.0	0.60
300 kN	42.0	21.0	6.0	1.50
400 kN	46.0	25.0	8.0	1.50
500 kN	55.0	28.0	10.9	1.10
600 kN	60.0	31.0	12.4	1.10
1 MN	75.0	37.0	18.4	1.10
2 MN	100.0	43.0	33.4	1.20

10 技术参数符合 VDI/VDE 2638

额定力	F_{nom}	kN	20	40	60	100	200	300	400	500	600		
		MN											1
精度													
精度等级		1.5											
不同安装位置的相对振幅	b_{rg}	%	1.0										
相对滞后	$v_{0.5}$	%	1.5										
线性误差 ¹⁾	d_{lin}	%	1.5										
相对蠕变 (30 min)	d_{crf}	%	0.5										
温度对特征值的影响	TK_C	% / 10K	0.5										
温度对零信号的影响	TK_0	% / 10K	0.5										
电气特性													
额定特征值	C_{nom}	mV/ V	2										
特征值偏差	d_C	%	15										
零信号的相对偏差	$d_{s,0}$	mV/ V	0.2										
输入电阻	R_e	Ω	310 - 410				620 - 800						
输出电阻	R_a	Ω	310 - 370				620 - 720						
绝缘电阻	R_{is}	Ω	$> 10^9$										
电源电压工作范围	$B_{U,G}$	V	0.5 - 12										
参考电源电压	U_{ref}	V	5										
接头		4 导线电路											
温度													
基准温度	t_{ref}	$^{\circ}C$	23										
标称温度范围	$B_{T,nom}$	$^{\circ}C$	-30 - 70										
工作温度范围	$B_{T,G}$	$^{\circ}C$	-30 - 85										
存储温度范围	$B_{T,S}$	$^{\circ}C$	-30 - 85										
机械特征参数													
最大工作力	F_G	F_{nom} 的 %	125				150				160	180	
临界力	F_L		125				150				160	180	
致断力	F_B		> 300				> 400						

额定力	F_{nom}	kN	20	40	60	100	200	300	400	500	600		
			MN										1
静态极限剪力 ²⁾ (当承受额定力时)	F_Q	F_{nom} 的 %	12										
允许的偏心率 (当承受额定力时)	e_g	mm	1.6	2.0	3.4	1.5	4.6	4.4	5.2	5.5	6.3	9.9	12.8
允许的偏心率 (当承受 50 % 额定力时)	e_g	mm	3.4	4.3	5.3	7.3	10.3	12.4	14.3	16.1	17.6	21.7	27.7
允许的扭矩 (当承受额定力时)	M_G	Nm	33	75	169	194	975	1425	2250	3000	3750	8250	20250
额定测量路径 $\pm 15\%$	S_{nom}	μm	19.0	23.9	24.2	32.0	35.1	41.5	49.8	56.8	60.4	85.8	140.8
刚性	c	$\text{kN} / \mu\text{m}$	1.1	1.7	2.5	3.1	5.7	7.2	8.0	8.8	9.9	11.6	14.2
基频谐振频率	f_G	kHz	48.1	51.7	54.9	42.6	44.1	41.3	38.1	33.2	30.5	21.6	12.6
相对允许振动负荷	F_{rb}	F_{nom} 的 %	85										
一般说明													
重量 (不含电缆)	g		12	16	21	43	74	108	140	202	270	633	2275
电缆长度	m		1.5 (标准) / 3.0 / 5.0 / 6.0 / 7.0 / 12.0										
保护等级依据 DIN EN 60529 标准 ³⁾			IP68										
测量体/外壳材料			不锈钢										
电缆			4 线, PUR 绝缘, 带屏蔽										

1) 在已组装状态下, 预紧力为 30 % 额定力

2) 最大横向力受摩擦系数 (0.12) 限制

3) 检验条件: 1 m 水柱, 100 小时

HBM Test and Measurement

Tel. +49 6151 803-0

Fax +49 6151 803-9100

info@hbm.com

measure and predict with confidence



A05429_01_YCI_02 7-0111.0006 HBM; public

www.hbm.com