

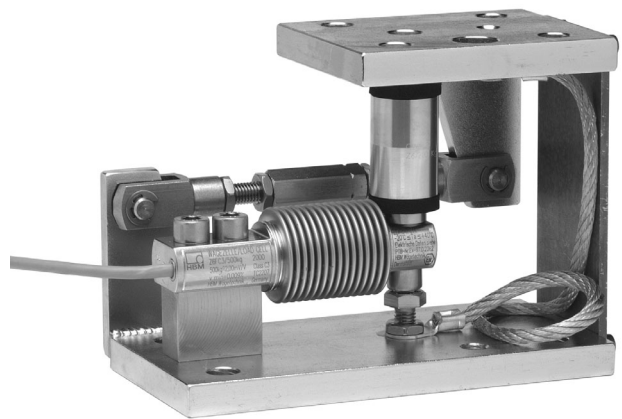
DATA SHEET

# Z6AM

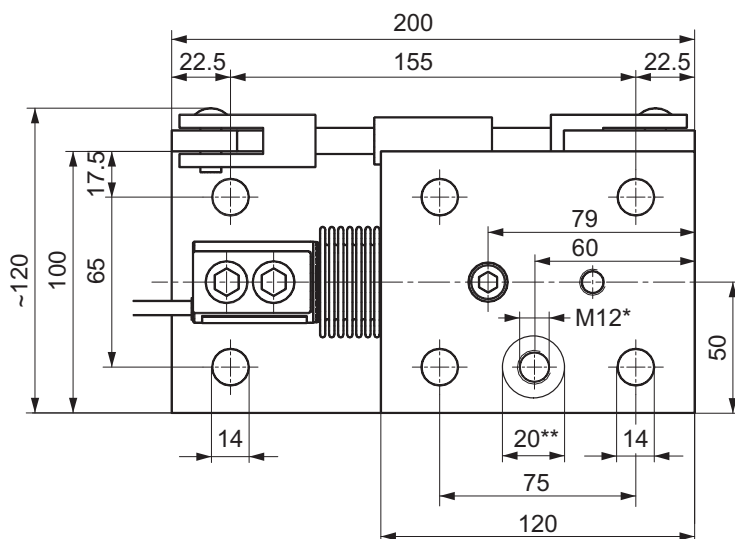
## Weighing module for 50 kg ... 500 kg

### SPECIAL FEATURES

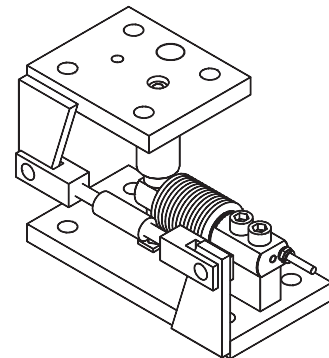
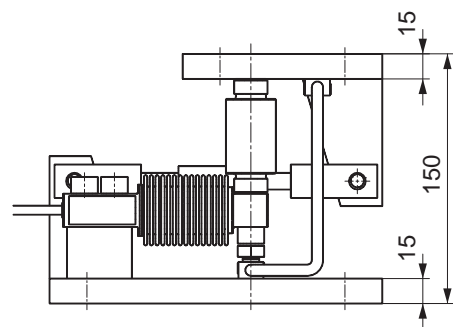
- Equipped with load cells class C3, C4 or C6 according to OIML R60
- With Overload stop and Transverse control arm
- Maintenance-free
- Compact installation at minimum installation height
- Easy installation
- Galvanized material and stainless steel version available
- Self-restoring due to pendle bearing
- Prepared for Lift-off securing device
- Explosion protection designs as per ATEX, IECEx and FM (US/CA)



### DIMENSIONS (IN MM; 1 MM= 0.03937 INCHES)



\* in base plate  
\*\* in top plate



## SPECIFICATIONS OF THE WEIGHING MODULE Z6AM...

Maximum capacity	kg	50	100	200	500
Limit load	% of Maximum capacity	150			
Restoring force (at 1 mm side offset)	% of Applied load	2.8			
Maximum permissible side offset transverse to the control arm axis	mm	± 3.5			
Maximum permissible horizontal force in the control arm direction	kN	5			
Material		Galvanized or Stainless steel			
Weight (depending on the version, incl. load cell)	kg	8...9			
Adjustment range of the overload stop	mm	≤0.35	≤0.25	≤0.45	≤0.8

For technical data and additional information on the appropriate load cells, please refer to the Data sheet Z6F...

## OPTIONS FOR Z6AM

### Explosion protection versions as per ATEX, IECEx and FM (US/CA)

- AI1/21 ATEX+IECEx+FM Zone 1/21, intrinsically safe;  
 - ATEX/IECEx: II 2G Ex ia IIC T6/T4 Gb + II 2D Ex ia IIIC T125°C Db;  
 - FM(US/CA): Class I Zone 1 AEx/Ex ia IIC T4 Gb + Zone 21 AEx/Ex ia IIIC T125°C Db;  
 - FM(US): Class I, II, III Division 1, Groups A, B, C, D, E, F, G T4
- AI2/21 ATEX+IECEx Zone 2/21, not intrinsically safe;  
 - ATEX/IECEx: II 3G Ex ec IIC T6/T4 Gc + II 2D Ex tb IIIC T125°C Db

**SURVEY OF ORDERING CODES**

**Weighing module Z6AM available with different options**  
**K-Z6AM**

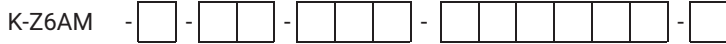
Code	Option 1: Material
<b>V</b>	Galvanized
<b>R</b>	Stainless steel

Code	Option 2: Accuracy class
<b>C3</b>	Class C3
<b>C4</b>	Class C4
<b>C6</b>	Class C6 [not with Option 3 = 500]

Code	Option 3: Capacity
<b>50</b>	50 kg
<b>100</b>	100 kg
<b>200</b>	200 kg
<b>500</b>	500 kg [not with Option 2 = C6]

Code	Option 4: Ex protection
<b>N</b>	No explosion protection
<b>AI1/21</b>	ATEX+IECEX+FM zone 1/21
<b>AI2/21</b>	IECEX-ATEX zone 2/21

Code	Option 5: Cable length
<b>A</b>	3 m
<b>B</b>	6 m [not with Option 2 = C6]
<b>C</b>	12 m [not with Option 2 = C6]

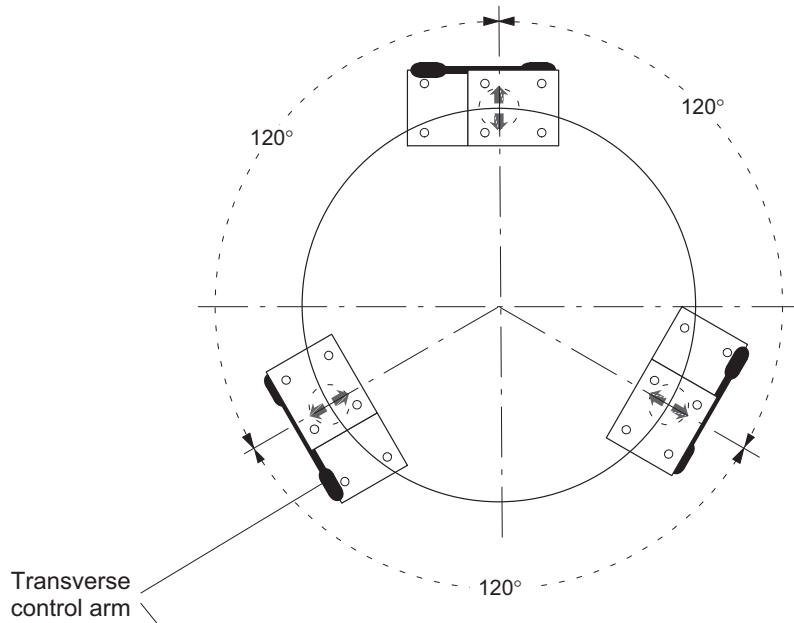


**Not all codes can be combined with one another. Take note of the conditions in square brackets!**

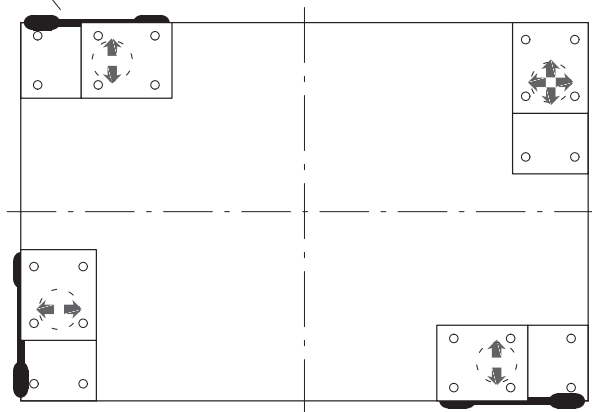
**SCOPE OF SUPPLY**

Weighing module with load cell Z6FC3/... or Z6FC4/... (Standard) or Z6FC6/... (Option), complete mounted with transverse control arm, pendle support and ground wire

**Arrangement of the weighing modules below cylindrical tanks**



**Rectangular arrangement of the weighing modules below tanks**



**Attention**

The represented bearing arrangements consider only weighing-technical criteria. The carrying and stability must be examined and guaranteed in each case by the operator.