



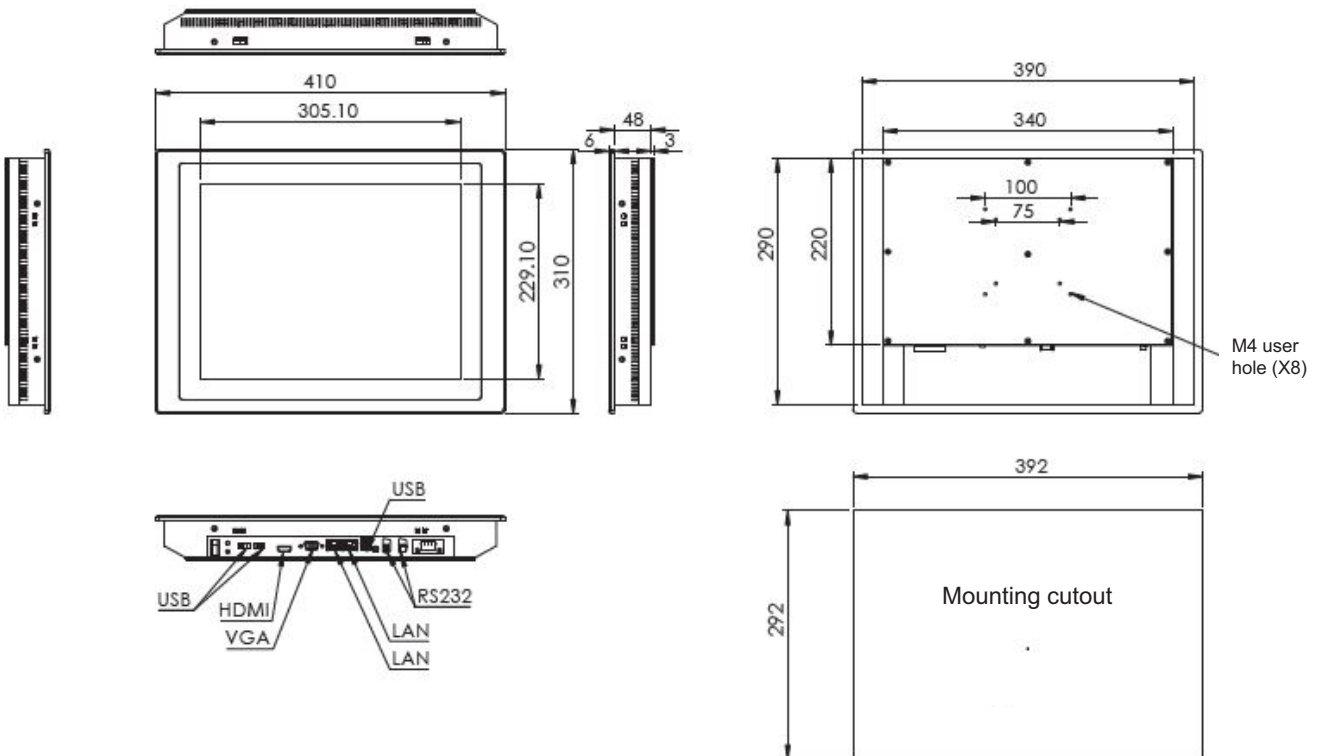
P-S1503P

Industrial Panel PC

Special features

- Display and storage of up to 12 joining, press-fitting and testing processes simultaneously
- Graphic presentation of all measured values and press-fit curves with OK/NOK decision and statistics feature
- Parameterization and driving of up to 12 devices of the MP85 amplifier series via Ethernet interface and pre-installed MP85 software PME Assistant and INDUSTRYmonitor
- No fan, maintenance free, low installation depth
- Optional WLAN mode

Dimensions (in mm; 1 mm= 0.03937 inches)



Specifications

System	
CPU	Intel® N3160, four core 1.6-2.24 GHz, 2 MB
RAM	2 GB DDR3L SO-DIMM RAM module standard 1 x DDR3L SO-DIMM slot, for 1600/1333 MHz SDRAM up to 8 GB
Audio	Realtek ALC887 Audio Codec
Graphic	Intel® Gen 8 Graphics Chip, DirectX 11, Open GL 3.2
HDMI/DP port	Display resolution 2560x1600 @60Hz
LCD display	
Size/type	15" TFT LCD panel
Max. resolution	1024 x 768, XGA
Max. colors	16.2M
Brightness	400 cd/m ²
Touch screen	Projective-capacitive touch panel, 10 points
Viewing angle (U/D/R/L)	80°/80°/85°/85°
External ports	
Serial	1 x RS232/422/485, 0V/5V/12V, 2 x RS-232 (optional)
USB	4 x Type-A USB 3.0, 1 x Type-A USB 2.0
Network	2 x RJ-45 GbE, 1 x DP/HDMI
WLAN	Antenna holes (for optional WLAN)
Mechanical	
Mounting	Panel mounting and VESA-100 mounting
Housing	Aluminum front panel and steel housing rear
Dimensions (W x D x H)	410 x 48 x 310 mm
Weight	4.6 kg (10.14 lb)
Environment	
Operating temperature	-10°C ~ 60°C
Storage temperature	-30°C ~ 70°C (-22°F ~ 158°F)
Operating humidity	10 ~ 95% RH @ 60°C (non-condensing)
Vibration	5 ~ 500Hz, 2Grms random (with CFast/SSD)
Impact	Continuous at 10G, 11ms; non-continuous 30G, 11ms (with CFast/SSD)
General	
Power supply	DC 9~36V
Certification	Complies with CE, FCC Class A
Expansion	2 x mini-card slots (full /half size), 1 x mSATA
Supported operating systems	W7 Pro / WS7E / W8 /W10 / Linux: Ubuntu

Accessories (optional)

Description	Ordering number
19V/3.4A 65W /120WAC/DC External power adapter	PAC-P065/120W
Optional configuration (CTOS* kit)	
Atheros AR9462 WLAN module with 20 cm & 30 cm internal cable	WIFI-AT2350
1 x WLAN dual-band 2.4G/5G antenna	ANT-D11

Note: The complete documentation of the HBM software FASTpress-Suite is available for download:
<https://www.hbm.com/en/2639/mp85a-fastpress-the-amplifier-for-monitoring-fitting-processes/>

Subject to modifications.
 All product descriptions are for general information only. They are not to be understood as a guarantee of quality or durability.

Hottinger Baldwin Messtechnik GmbH
 Im Tiefen See 45 · 64293 Darmstadt · Germany
 Tel. +49 6151 803-0 · Fax +49 6151 803-9100
 Email: info@hbm.com · www.hbm.com

measure and predict with confidence

