

DATA SHEET

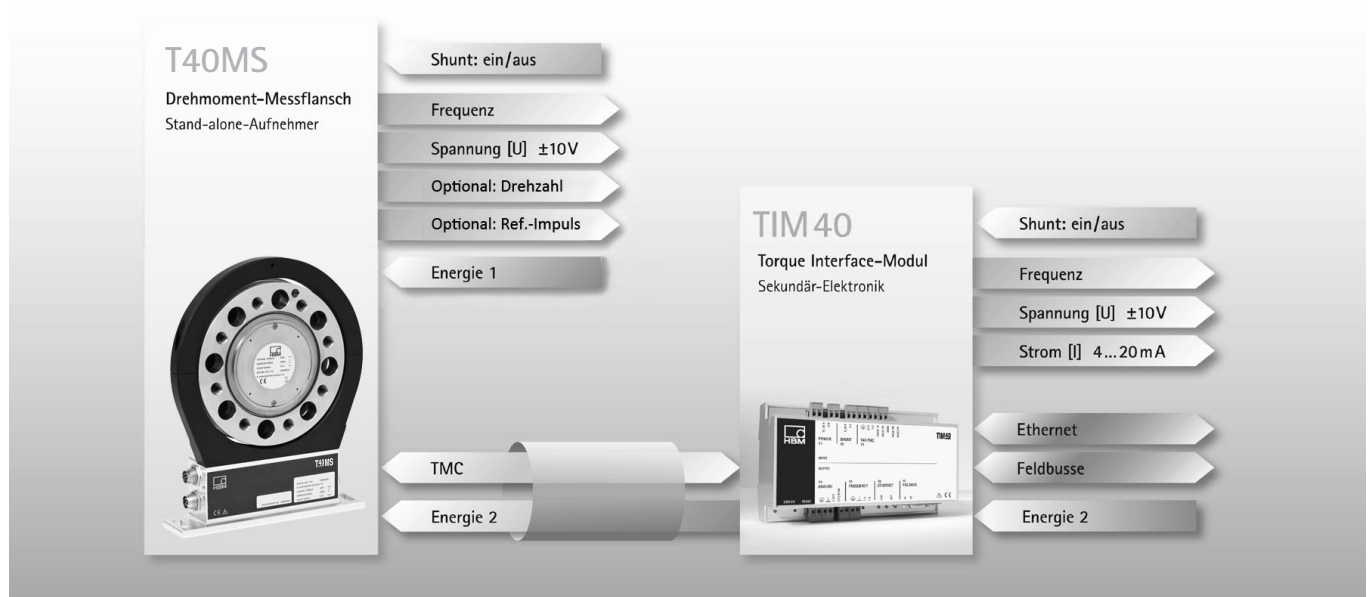
T40MS Torque Flange

SPECIAL FEATURES

- Nominal (rated) torques 200 N·m, 500 N·m, 1 kN·m and 2 kN·m
- Nominal (rated) rotational speed up to 25,000 rpm
- Optional: Nominal (rated) rotational speed up to 30,000 rpm
- Accuracy class 0.05
- Large measurement frequency range up to 6 kHz (-3 dB)
- Digital transmission of measured values
- Compact design
- Low rotor weights and mass moments of inertia
- Optional: Rotational speed measuring system, reference signal



OVERALL CONCEPT



SPECIFICATIONS

Type		T40MS			
Accuracy class		0.05			
Nominal (rated) torque M_{nom}	N·m	200	500	1000	2000
Torque measuring system					
Nominal (rated) rotational speed	rpm	25,000 (optional: 30,000)			
Non-linearity including hysteresis, relative to the nominal sensitivity					
Frequency output					
For a max. torque in range:					
between 0% of M_{nom} and 20% of M_{nom}	%	< ± 0.01			
> 20% of M_{nom} and 60% of M_{nom}	%	< ± 0.02			
> 60% of M_{nom} and 100% of M_{nom}	%	< ± 0.03			
Voltage output					
For a max. torque in range:					
between 0% of M_{nom} and 20% of M_{nom}	%	< ± 0.01			
> 20% of M_{nom} and 60% of M_{nom}	%	< ± 0.02			
> 60% of M_{nom} and 100% of M_{nom}	%	< ± 0.03			
Relative standard deviation of repeatability to DIN 1319, relative to variation of the output signal					
Frequency output					
Voltage output					
Temperature effect per 10K in nominal (rated) temperature range on the output signal relative to the actual value of the signal span					
Frequency output					
Voltage output					
on the zero signal relative to the nominal sensitivity					
Frequency output					
Voltage output					
Nominal sensitivity (span between torque = zero and nominal (rated) torque)					
Frequency output 10 / 60 / 240 kHz					
Voltage output					
Sensitivity tolerance (deviation of the actual output quantity at M_{nom} from the nominal sensitivity)					
Frequency output					
Voltage output					
Output signal at torque = zero					
Frequency output					
Voltage output					
Nominal output signal					
Frequency output with positive nominal (rated) torque					
Frequency output with negative nominal (rated) torque					
Voltage output with positive nominal (rated) torque					
Voltage output with negative nominal (rated) torque					
Load resistance					
Frequency output					
Voltage output					

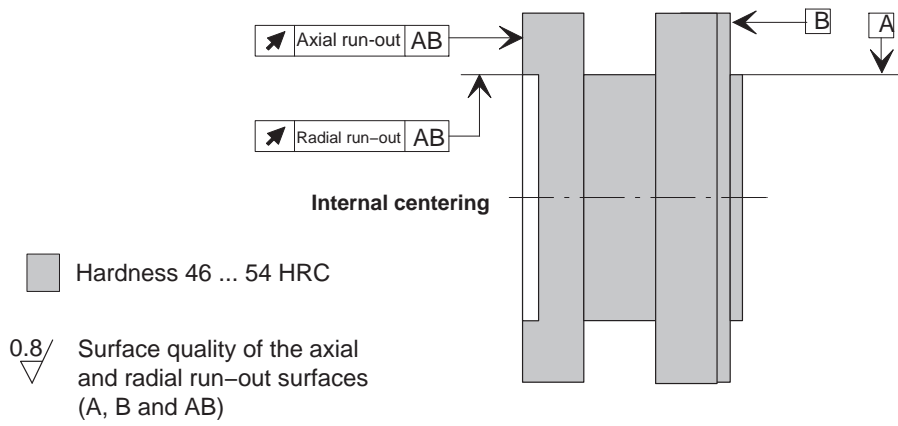
Nominal (rated) torque M_{nom}	N·m	200	500	1000	2000
Long-term drift over 48 h					
Frequency output	%	< ± 0.03			
Voltage output	%	< ± 0.03			
Signal bandwidth (-3 dB)					
1 ¹⁾ / 3 ²⁾ / 6 ³⁾					
Group delay					
< 400 ¹⁾ / < 220 ²⁾ / < 150 ³⁾					
Residual ripple					
Voltage output ⁵⁾	mV	< 40			
Maximum modulation range⁶⁾					
Frequency output	kHz	2.5 ... 17.5 ¹⁾ / 15 ... 105 ²⁾ / 60 ... 420 ³⁾			
Voltage output	V	-12 ... +12			
Energy supply					
Nominal (rated) supply voltage (safety extra-low DC voltage)	V	18 ... 30; asymmetrical			
Current consumption in measuring mode	A	< 1			
Current consumption in startup mode	A	< 4 (typical value 2) 50 µs			
Nominal (rated) power consumption					
< 10					
Maximum cable length					
50					
Shunt signal					
approx. 50% of M_{nom} ; value stated on type plate					
Tolerance of calibration signal, relative to M_{nom}					
< ± 0.05					
Nominal (rated) trigger voltage					
5					
Trigger voltage limit					
36					
Shunt signal ON					
min. > 2.5					
Shunt signal OFF					
max. < 0.7					
rotational speed measuring system					
Measuring system					
Magnetic, via AMR (anisotropic magneto-resistive) sensor and magnetized plastic ring on embedded titanium ring					
Magnetic poles					
72					
Output signal					
5 V, balanced (RS-422); 2 square-wave signals approx. 90° phase shifted					
Pulses per revolution					
512 (Option 6, Code 3 & C); 128 (Option 6, Code 2 & B)					
Minimum rotational speed for sufficient pulse stability					
rpm					
0					
Pulse tolerance⁷⁾					
degrees					
< ± 0.05 (512 pulses) < ± 0.1 (128 pulses)					
Maximum permissible output frequency					
kHz					
420					
Group delay					
µs					
< 150					
Radial nominal (rated) distance between sensor head and magnetic ring (mechanical distance)					
mm					
1.2					
Working distance range between sensor head and magnetic ring					
mm					
0.4 ... 2.0					
Max. permissible axial displacement of rotor in relation to stator⁸⁾					
mm					
± 0.5					
Hysteresis of direction of rotation reversal when there are relative vibrations between rotor and stator					
Rotor torsional vibration					
degrees					
< approx. 0.2					
Stator horizontal vibration displacement					
mm					
< approx. 0.5					
Magnetic load limit					
Remanent flux density					
mT					
> 100					
Coercive field strength					
kA/m					
> 100					
Permissible magnetic field strength for signal deviations					
kA/m					
< 0.1					
Load resistance⁹⁾					
kΩ					
≥ 2					
Reference signal measuring system (0 index)					
Measuring system					
Magnetic, with Hall sensor and magnet					

Nominal (rated) torque M_{nom}	N·m	200	500	1000	2000
Output signal	V	5 V, balanced (RS-422)			
Pulses per revolution		1			
Minimum rotational speed for sufficient pulse stability	rpm	2			
Pulse width, approx.	degrees	0.176 / 0.703 (512 pulse/rev; 128 pulse/rev)			
Group delay	µs	< 150			
Axial nominal (rated) distance between sensor head and magnetic ring (mechanical distance)	mm	3.5			
Working distance range between sensor head and magnetic ring	mm	3 ... 4			
Max. permissible axial displacement of rotor in relation to stator ⁸⁾	mm	± 0.5			
General information					
EMC					
Emission (as per FCC 47, Part 15, Section C)	-				
Emission (as per EN 61326-1, Section 7) RFI field strength	-	Class B			
Immunity from interference (EN 61326-1, Table 2)					
Electromagnetic field (AM)	V/m	10			
Magnetic field	A/m	100			
Electrostatic discharge (ESD)					
Contact discharge	kV	4			
Air discharge	kV	8			
Fast transients (burst)	kV	1			
Surge voltages	kV	1			
Conducted interference (AM)	V	10			
Degree of protection as per EN 60529		IP 54			
Reference temperature	°C	23			
Nominal (rated) temperature range	°C	+10 ... +70			
Operating temperature range ¹⁰⁾	°C	-20 ... +85			
Storage temperature range	°C	-40 ... +85			
Impact resistance, test severity level according to DIN IEC 68; Part 2-27; IEC 68-2-27-1987¹¹⁾					
Number	n	1000			
Duration	ms	3			
Acceleration (half sine)	m/s ²	650			
Vibrational stress in 3 directions according to EN 60068-2-6; IEC 68-2-6-1982¹¹⁾					
Frequency range	Hz	5 ... 65			
Duration	h	1.5			
Acceleration (amplitude)	m/s ²	50			
Load limits¹²⁾					
Limit torque, related to M_{nom} ¹³⁾	%	150	150	150	110
Breaking torque relative to M_{nom} ¹³⁾	%	300	300	300	150
Axial limit force ¹⁴⁾	kN	10	15	15	3
Lateral limit force ¹⁴⁾	kN	2	5	5	1
Bending moment limit ¹⁴⁾	N·m	100	220	220	50
Oscillation width as per DIN 50100 (peak-to-peak) ¹⁵⁾	kN·m	0.4	1	2	3
Mechanical values					
Torsional stiffness c_T	kN m/rad	300	550	610	830
Torsion angle at M_{nom}	degrees	0.04	0.05	0.09	0.14
Stiffness in the axial direction c_a	kN/mm	1100	1450	1500	1700
Stiffness in the radial direction c_T	kN/mm	270	450	500	630

Nominal (rated) torque M_{nom}	N·m	200	500	1000	2000
Stiffness at the bending moment round a radial axis c_b	kN·m/ degrees	8.8	10.6	10.6	12.7
Maximum deflection at axial limit force	mm	< 0.01	< 0.02	< 0.02	< 0.003
Additional max. radial run-out at lateral limit force	mm	< 0.02	< 0.03	< 0.03	< 0.003
Additional deviation from plane parallelism at bending moment limit (at $\emptyset d_B$)	mm	< 0.03	< 0.04	< 0.04	< 0.008
Balance quality level as per DIN ISO 1940		G 2.5			
Max. limit for rotor vibration displacement (peak-to-peak) ¹⁶⁾ Undulations in the connection flange area, based on ISO 7919-3 Normal operation (continuous operation) Start and stop operation/resonance ranges (temporary)	μm μm	$S_{(p-p)} = \frac{9000}{\sqrt{n}}$ (n in rpm) $S_{(p-p)} = \frac{13000}{\sqrt{n}}$ (n in rpm)			
Rotor mass moment of inertia J_v without rotational speed measuring system with magnetic rotational speed measuring system	kg·m ² kg·m ²	0.0012 0.0015			
Proportional mass moment of inertia for the transmitter side (side of the flange with external centering) without magn. rotational speed measuring system with magn. rotational speed measuring system	% of J_v % of J_v	51 45			
Max. permitted static radial run-out of rotor (radially) to center point of stator without rotational speed measuring system	mm mm	± 1 ± 1.5			
Permissible axial displacement between rotor and stator ¹⁹⁾ without rotational speed measuring system	mm mm	± 1.5 ± 0.5			
Weight Rotor without rotational speed measuring system Rotor with magnetic rotational speed measuring system Stator	kg kg kg	approx. 0.8 approx. 0.9 approx. 1.1			

- 1) 10 ± 5 kHz
- 2) 60 ± 30 kHz
- 3) 240 ± 120 kHz
- 4) RS-422 complementary signals, note termination resistor
- 5) Signal frequency range 0.1 to 10 kHz
- 6) Output signal range in which there is a repeatable correlation between torque and output signal.
- 7) At nominal (rated) conditions.
- 8) The data refers only to a central axial alignment. Deviations lead to a change in pulse tolerance.
- 9) Note the termination resistors required as per RS-422.
- 10) From temperatures of 70 °C, heat must be conducted via the base plate of the stator. The temperature of the base plate must not exceed 85 °C.
- 11) The antenna ring and connector must be fixed.
- 12) Each type of irregular stress (bending moment, lateral or longitudinal force, exceeding nominal (rated) torque), can only be permitted up to its specified load limit, provided none of the others can occur at the same time. If this condition is not met, the limit values must be reduced. If 30% of the bending moment limit and lateral limit force occur at the same time, only 40% of the axial limit force is permissible and the nominal (rated) torque must not be exceeded. The effects of 10% of the permissible bending moments, axial and lateral forces on the measurement result are $\pm 0.3\%$ of the nominal (rated) torque. The load limits only apply for the nominal (rated) temperature range.
- 13) With static load
- 14) Static and dynamic
- 15) The nominal (rated) torque must not be exceeded.
- 16) The influence on the vibration measurements caused by radial run-out, eccentricity, defects of form, notches, marks, local residual magnetism, structural inhomogeneity or material anomalies must be taken into account and isolated from the actual undulation.
- 17) Above the nominal (rated) temperature range: ± 1.5 mm.

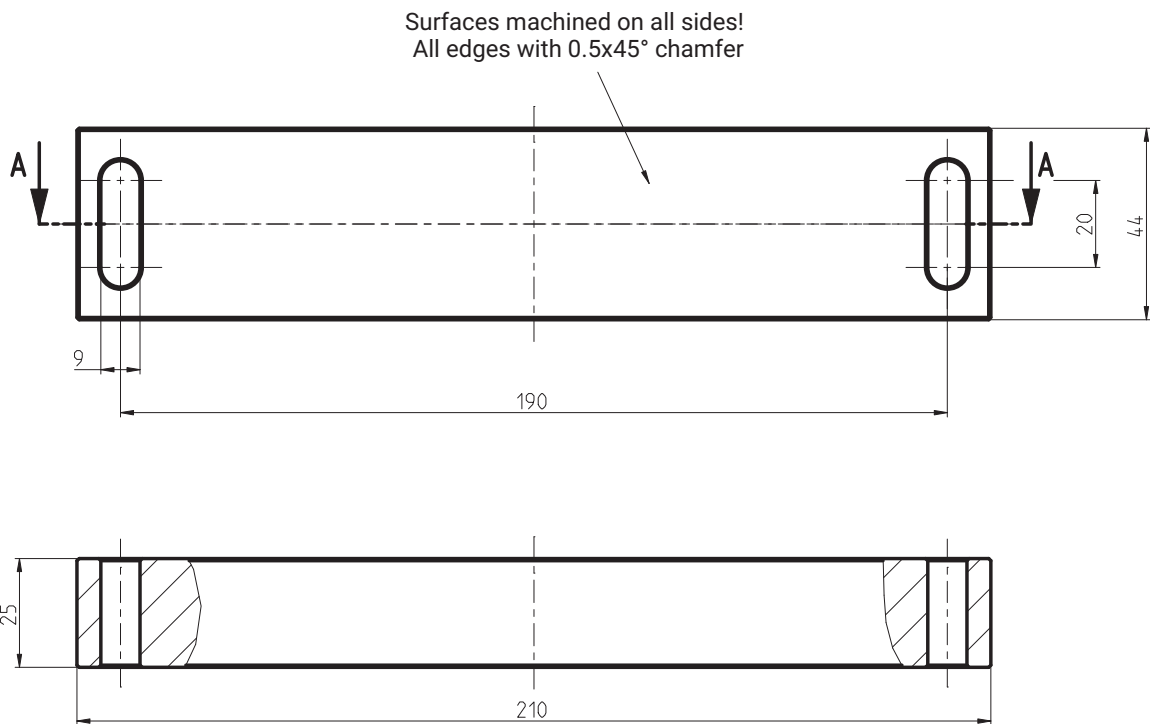
RADIAL AND AXIAL RUN-OUT TOLERANCES



Measuring range (N·m)	Axial run-out tolerance (mm)	Radial run-out tolerance (mm)
200	0.01	0.01
500	0.01	0.01
1 k	0.01	0.01
2 k	0.01	0.01

DIMENSIONS

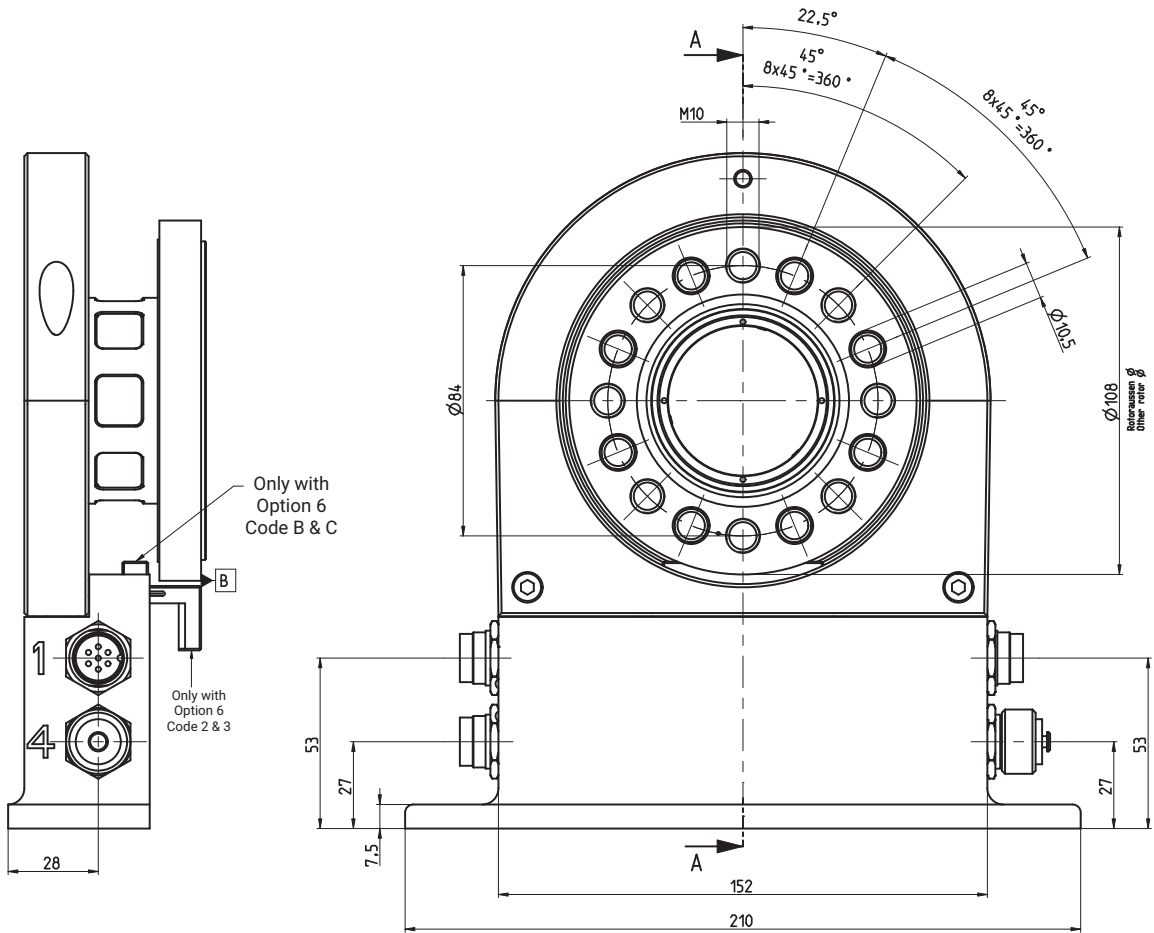
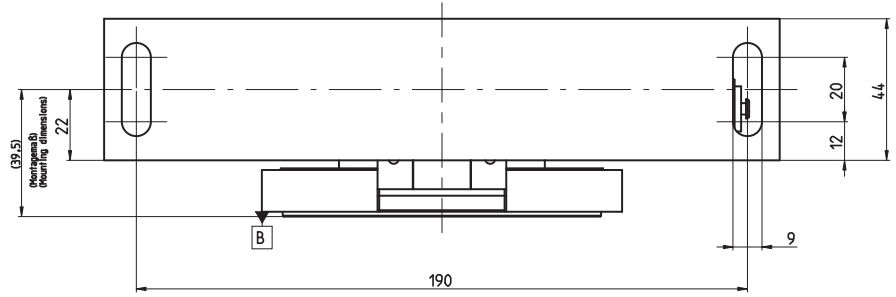
Adapter plate T11 to T40MS



A-A

T40MS 200 Nm - 2 kNm without rotational speed measurement

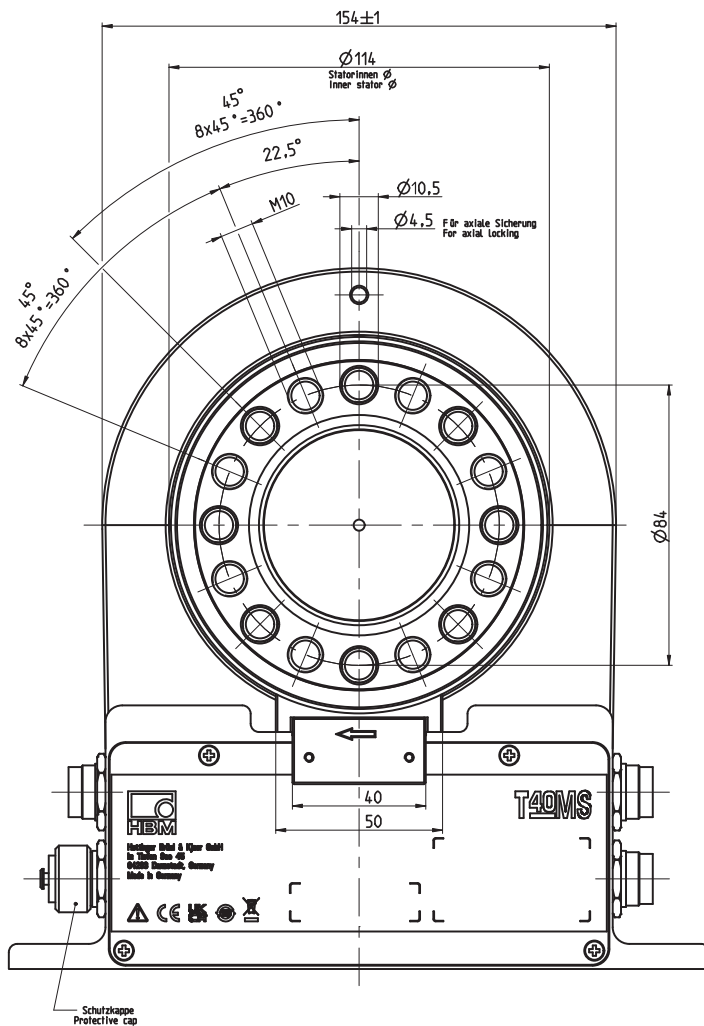
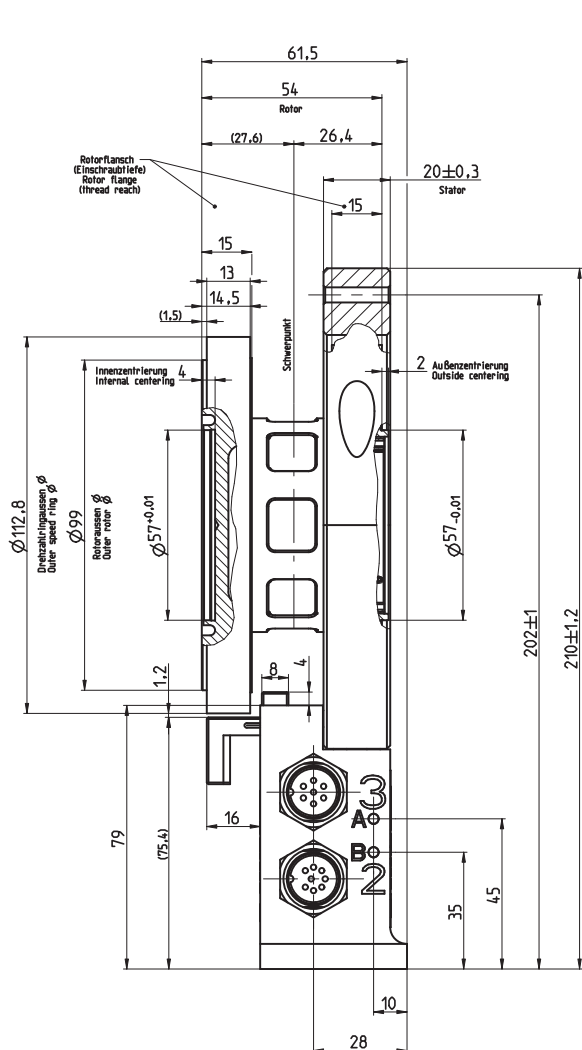
Dimensions in mm
 Dimensions without tolerances
 according to DIN ISO 2768-mk



T40MS 200 Nm - 2 kNm with rotational speed measurement and reference signal

Dimensions in mm

Dimensions without tolerances according to DIN ISO 2768-mk



Ausbrüche im Schnitt
Partial sections cut
A-A

ORDERING OPTIONS

Order no.		
K-T40MS		
1	Code	Option 1: Measuring range to
	S200Q	200 N·m [only with Option 2 = MF/RO]
	S500Q	500 N·m [only with Option 2 = MF/RO]
	S001R	1 kN·m [only with Option 2 = MF/RO]
	S002R	2 kN·m [only with Option 2 = MF/RO]
2	Code	Option 2: Components
	MF	Complete measurement flange
	RO	Rotor
	ST	Stator
3	Code	Option 3: Accuracy
	S	Standard
4	Code	Option 4: Nominal (rated) rotational speed range
	L	25,000 rpm
	H	30,000 rpm
5	Code	Option 5: Electrical configuration [only with Option 2 = MF/ST]
	SU2	Output signal 10 kHz ±5 kHz and ±10 V, supply voltage 18...30 V DC
	DU2	Output signal 60 kHz ±30 kHz and ±10 V, supply voltage 18...30 V DC
	HU2	Output signal 240 kHz ±120 kHz and ±10 V, supply voltage 18...30 V DC
6	Code	Option 6: Rotational speed measuring system
	N	Without rotational speed measuring system
	2	Magnetic rotational speed measuring system; 128 pulses/revolution
	3	Magnetic rotational speed measuring system; 512 pulses/revolution
	B	Magnetic rotational speed measuring system; 128 pulses/revolution and reference signal
	C	Magnetic rotational speed measuring system; 512 pulses/revolution and reference signal
7	Code	Option 7: Customized modification
	N	No customized modification

K-T40MS - - - **S** - - - - **U** = preferred types

1 2 3 4 5 6 7

Hottinger Brüel & Kjaer GmbH
 Im Tiefen See 45 · 64293 Darmstadt · Germany
 Tel. +49 6151 803-0 · Fax +49 6151 803-9100
 www.hbkworld.com · info@hbkworl.com

Subject to modifications. All product descriptions are for general information only.
 They are not to be understood as a guarantee of quality or durability.